



US00D351768S

United States Patent [19] Griffin

[11] Patent Number: Des. 351,768
[45] Date of Patent: ** Oct. 25, 1994

[54] **ELECTRIC GRASS TRIMMER**

- [75] Inventor: **John Griffin**, Phoenix, Ariz.
- [73] Assignee: **McCulloch Corporation**, Tucson, Ariz.
- [**] Term: **14 Years**
- [21] Appl. No.: **874,565**
- [22] Filed: **Apr. 24, 1992**
- [52] U.S. Cl. **D8/8**
- [58] Field of Search D8/8; 56/12.7, 234, 56/239, 249, 255, 289, 295; 30/276, 390, DIG. 5; D15/14-18

[56] **References Cited**

U.S. PATENT DOCUMENTS

D. 248,654	7/1978	Ruhl et al.	D8/8
D. 249,630	9/1978	Ballas	D8/8
D. 251,957	5/1979	Averitt	D8/8
D. 251,961	5/1979	Averitt et al.	D8/8
D. 253,086	10/1979	Hinklin et al.	D8/8
D. 255,764	7/1980	Lombard	D8/8
D. 256,090	7/1980	Hinklin et al.	D8/8
4,167,812	9/1979	Moore	30/276
4,237,610	12/1980	Bradus et al.	30/276
4,282,653	8/1981	Comer et al.	56/12.7
4,603,478	8/1986	Anderson	30/347
4,631,828	12/1986	Burnett	30/347
4,827,702	5/1989	Cerreta	30/276

OTHER PUBLICATIONS

Washington Post, Sears Pull-Out Feb. 17, 1991 "Craftsman Weedwacker".

Primary Examiner—Bernard Ansher
Assistant Examiner—Sandra Morris
Attorney, Agent, or Firm—Marshall, O'Toole, Gerstein, Murray & Borun

[57] **CLAIM**

The ornamental design for an electric grass trimmer, as shown and described.

DESCRIPTION

FIG. 1 is a perspective view of an electric grass trimmer showing my new design;

FIG. 2 is an enlarged left side elevational view of the bottom portion thereof, shown separately for ease of illustration;

FIG. 3 is an enlarged right side elevational view of FIG. 2;

FIG. 4 is an enlarged front view of FIG. 2;

FIG. 5 is an enlarged rear view of FIG. 2;

FIG. 6 is an enlarged top view of FIG. 2;

FIG. 7 is an enlarged bottom view of FIG. 2;

FIG. 8 is an enlarged side view of the grip portion thereof, the other side being identical, shown separately for ease of illustration;

FIG. 9 is an enlarged top view of FIG. 8;

FIG. 10 is an enlarged bottom view of FIG. 8; and,

FIG. 11 is an enlarged partial rear view of FIG. 8.

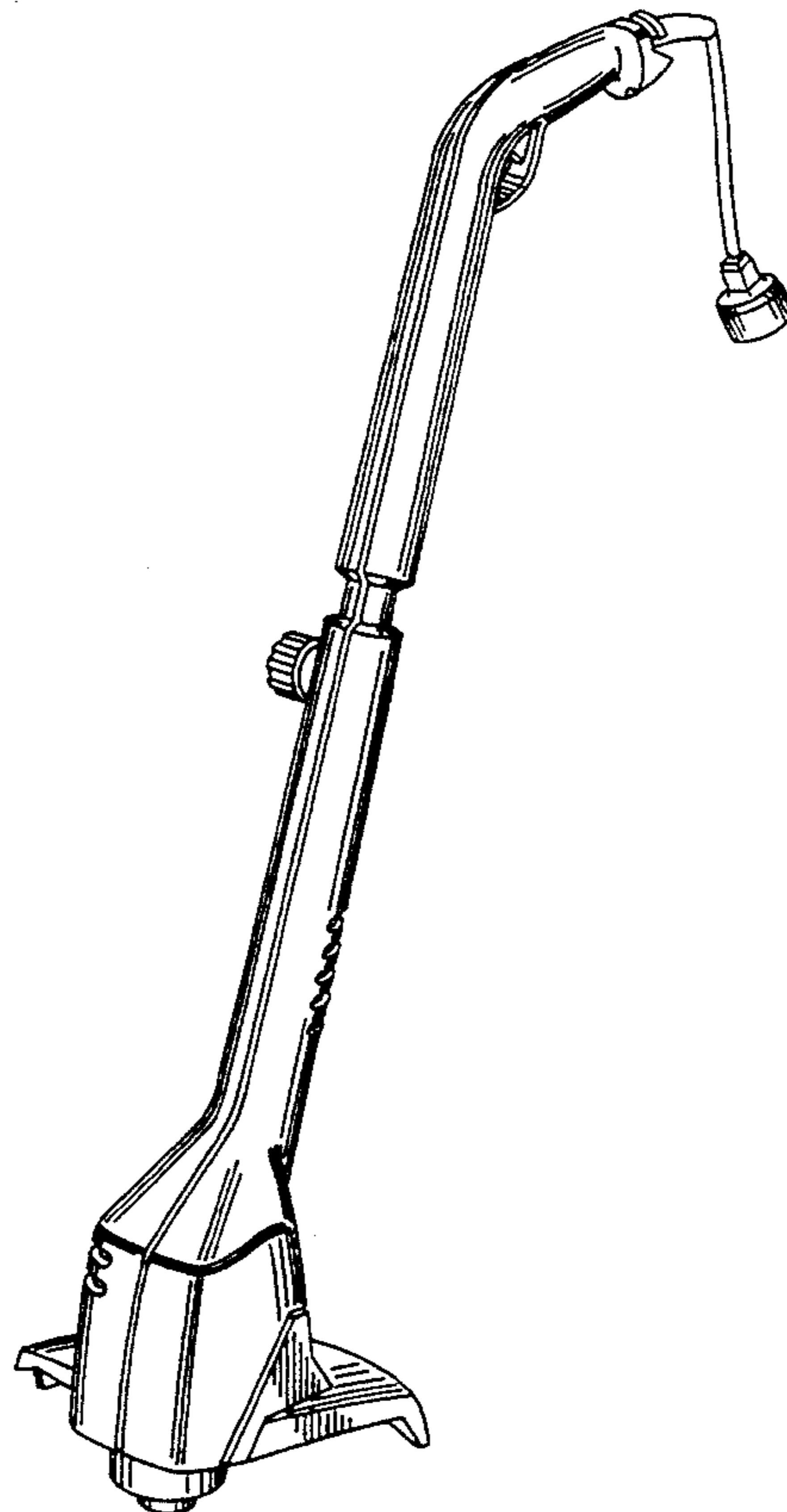
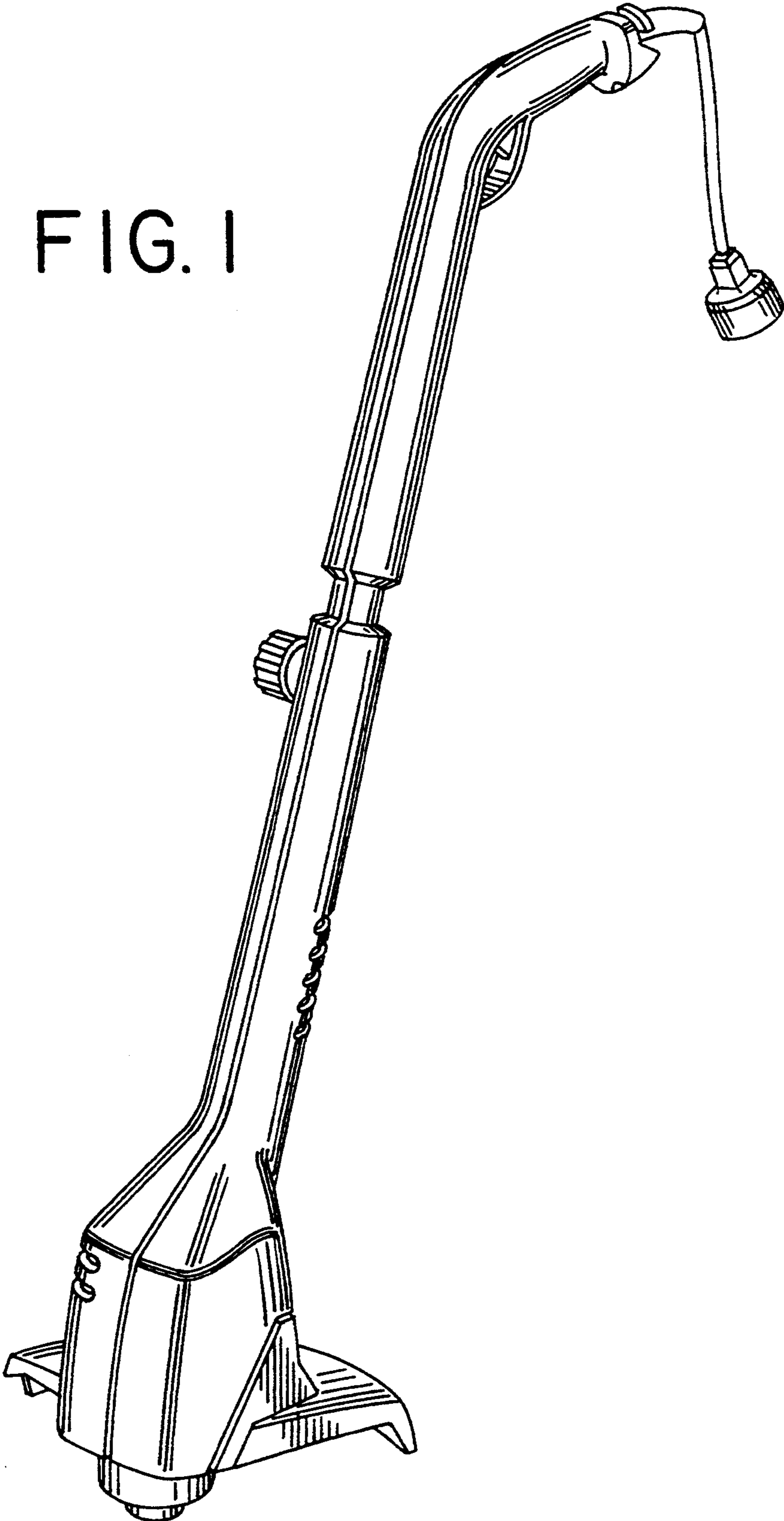


FIG. 1



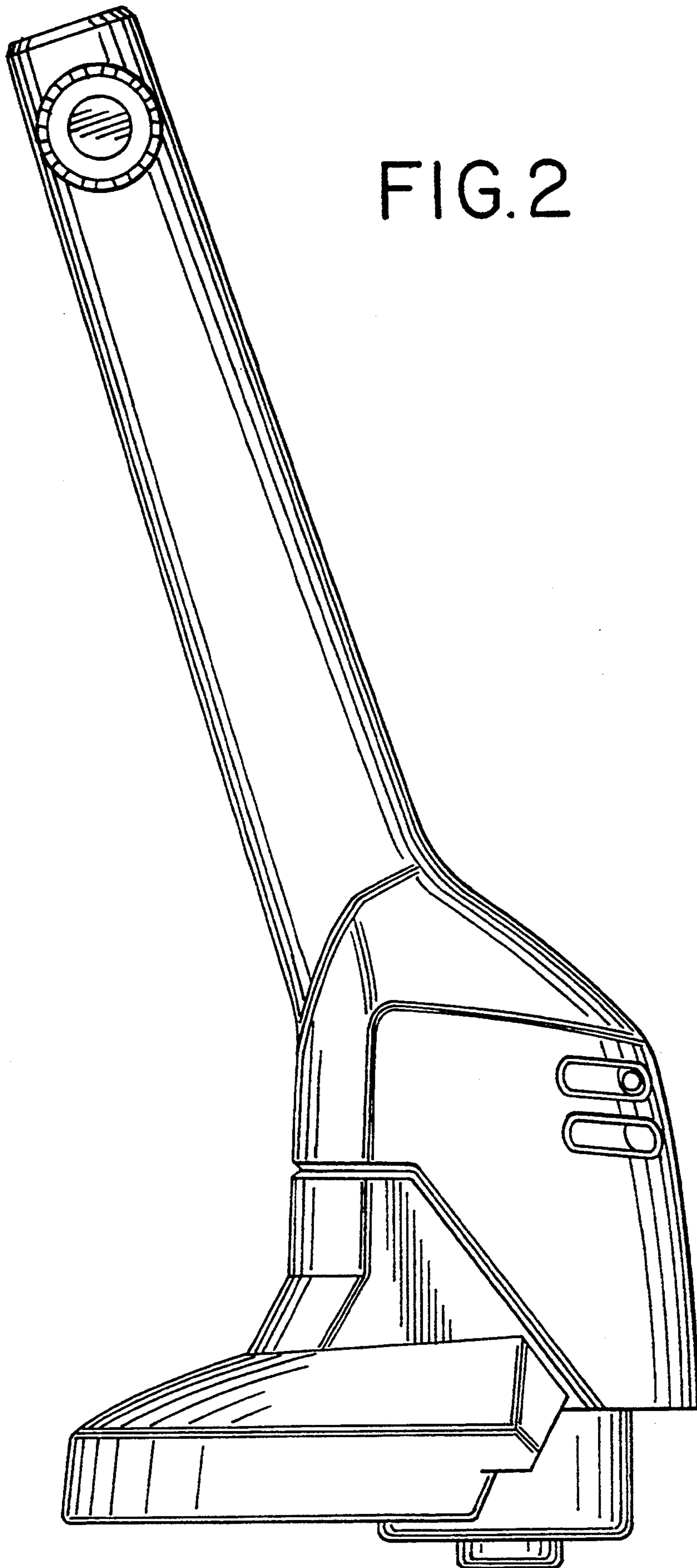


FIG.3

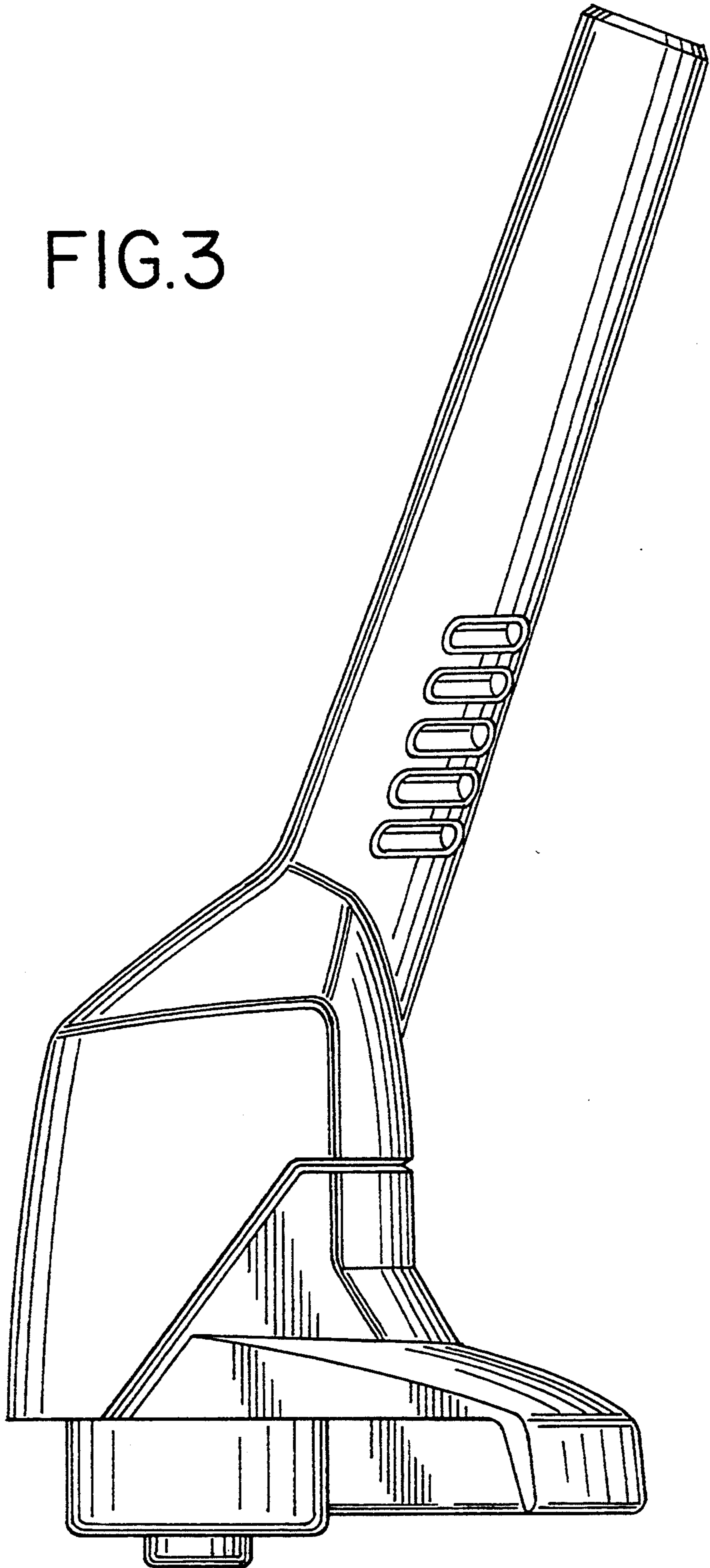


FIG. 4

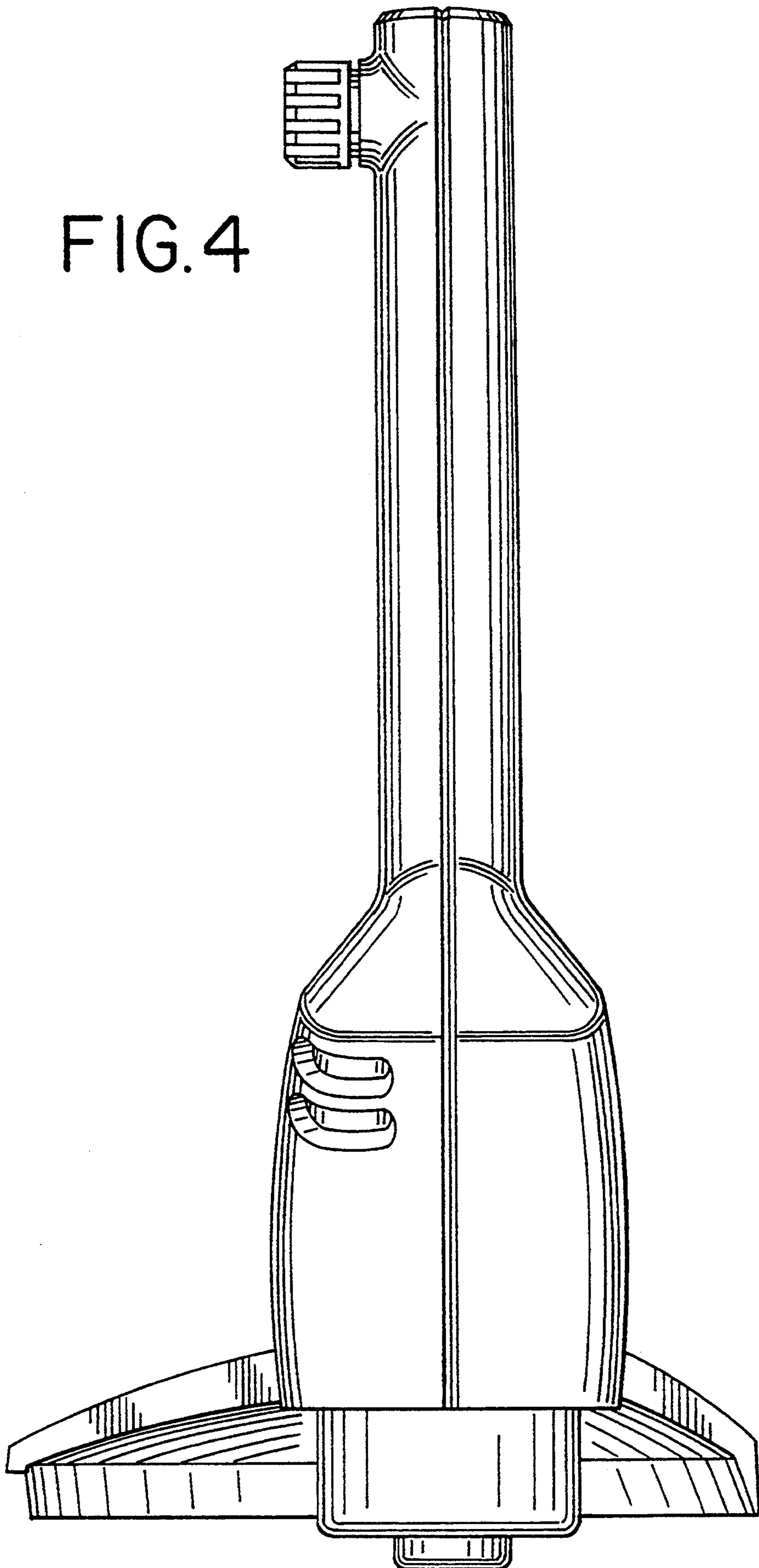


FIG. 5

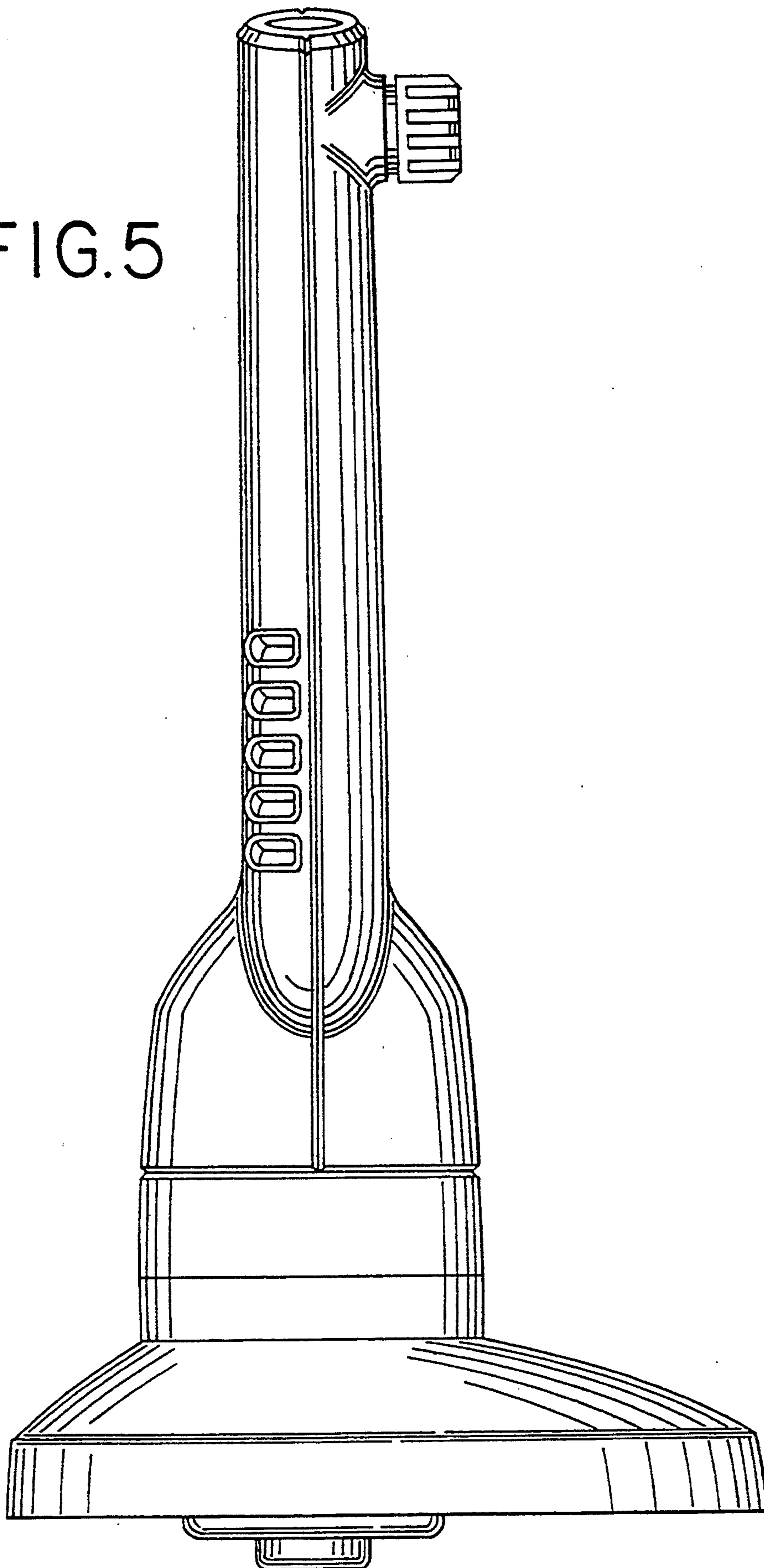


FIG. 7

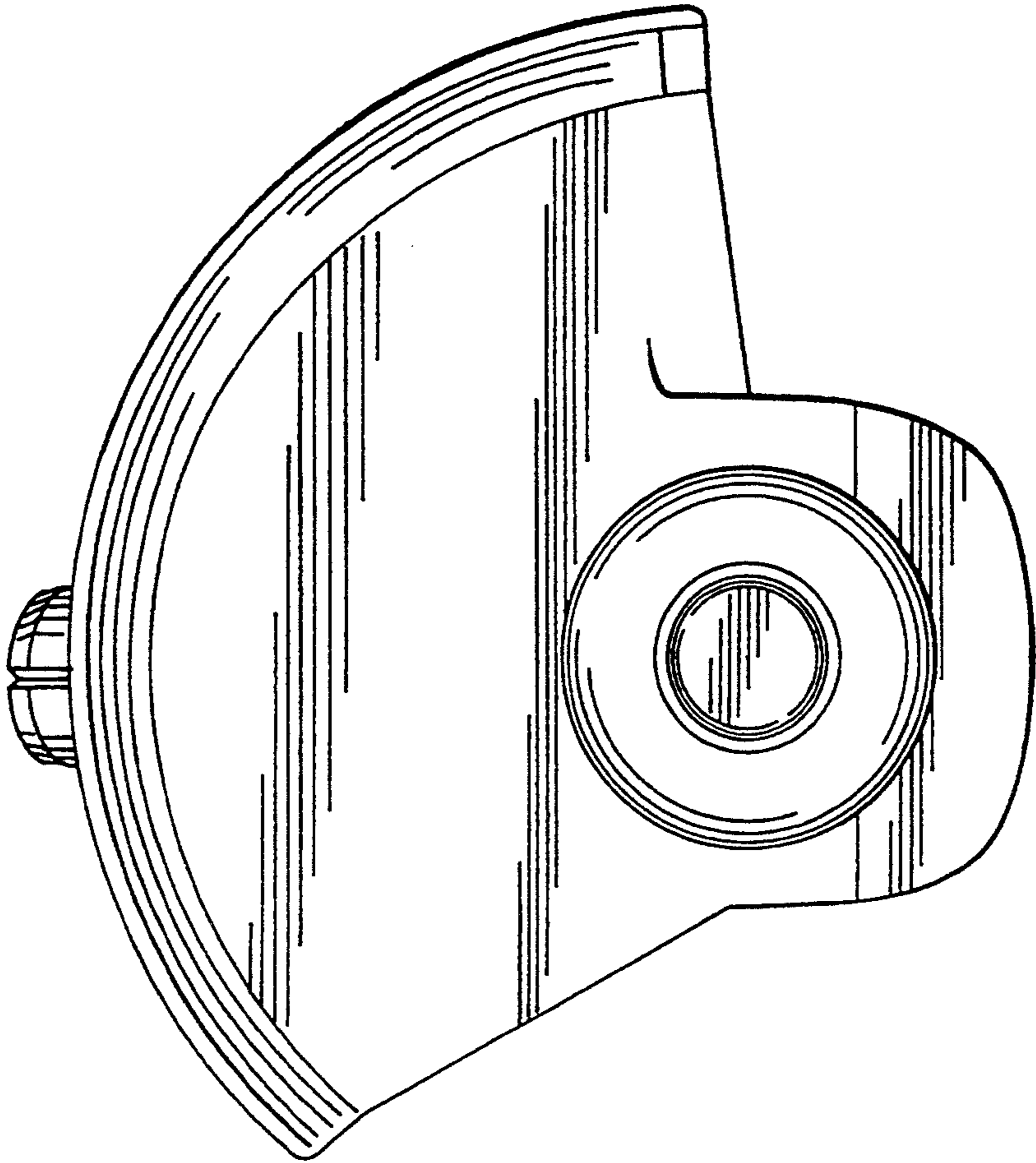


FIG. 6

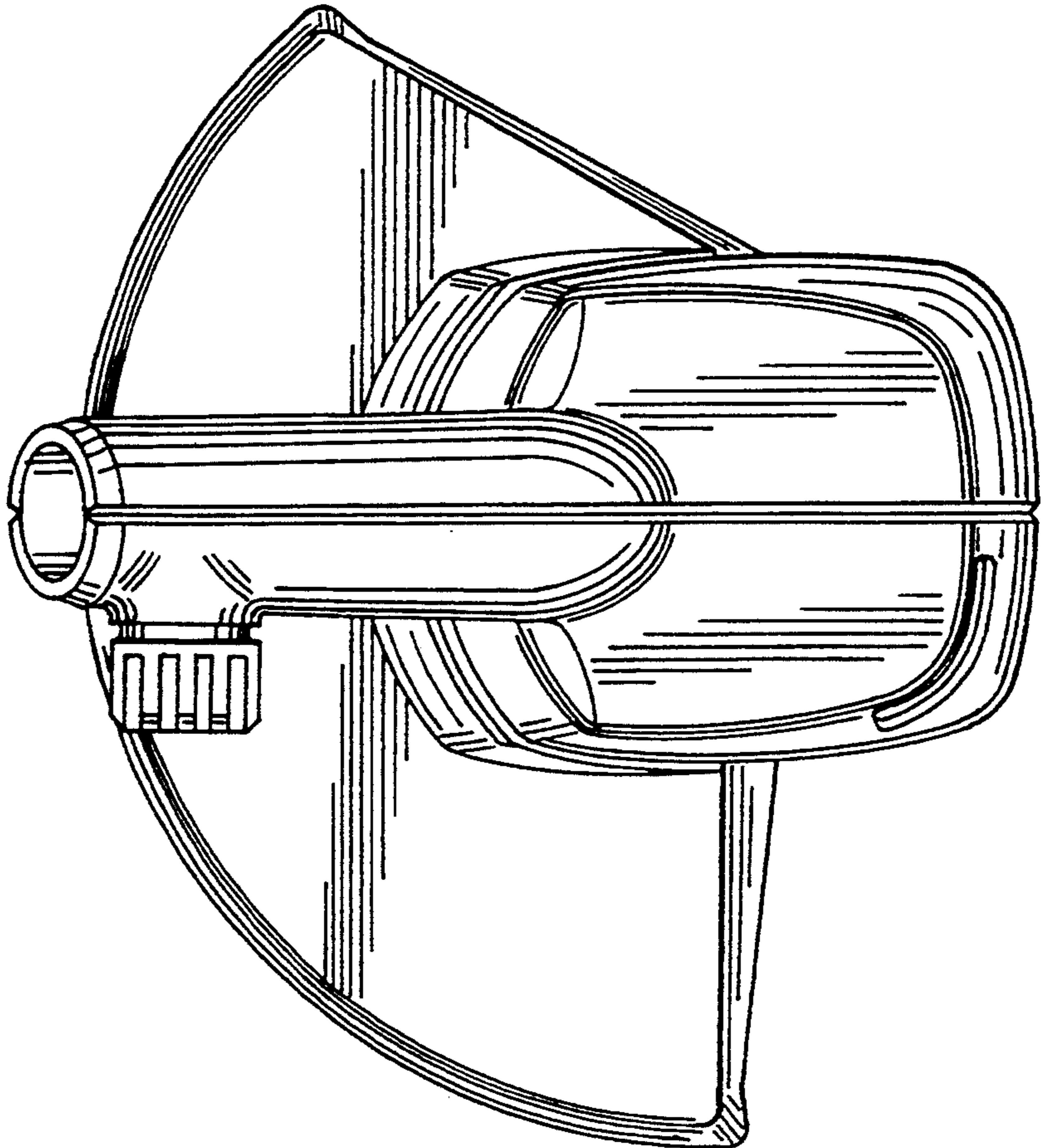


FIG. 9

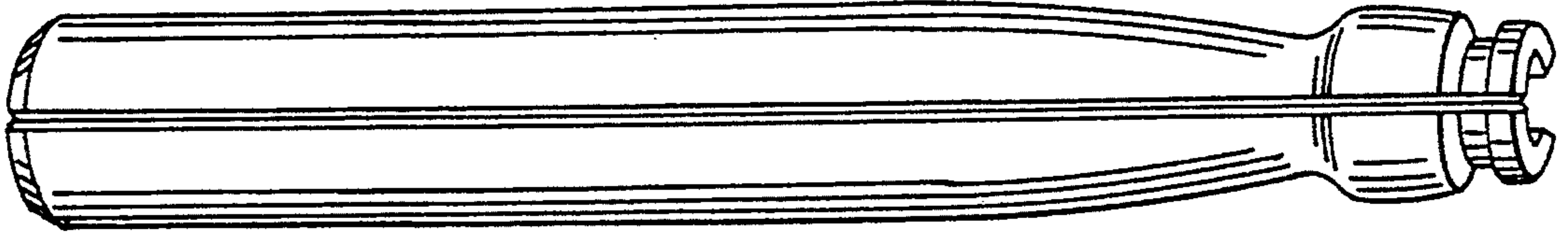


FIG. 8

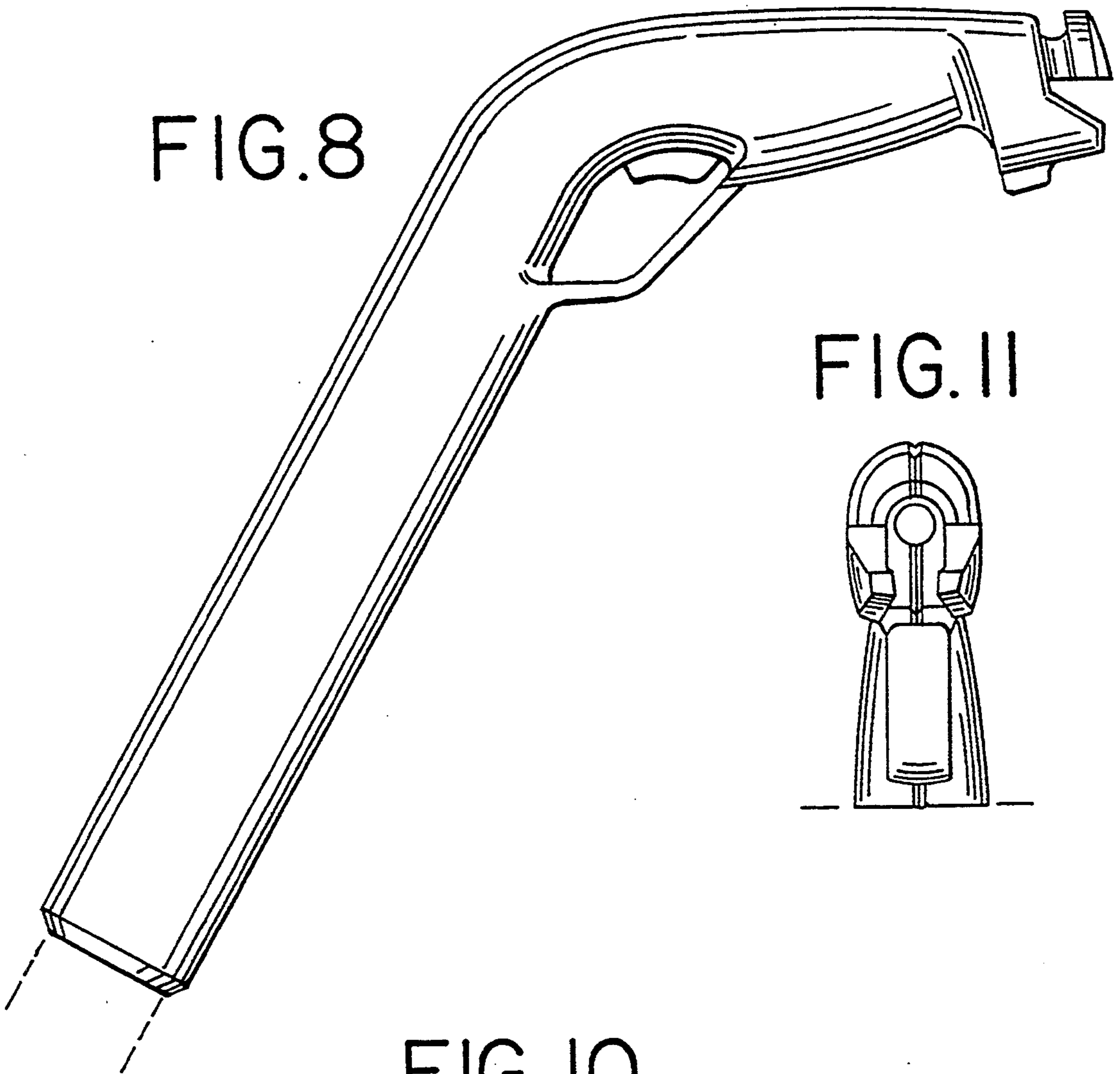


FIG. 11

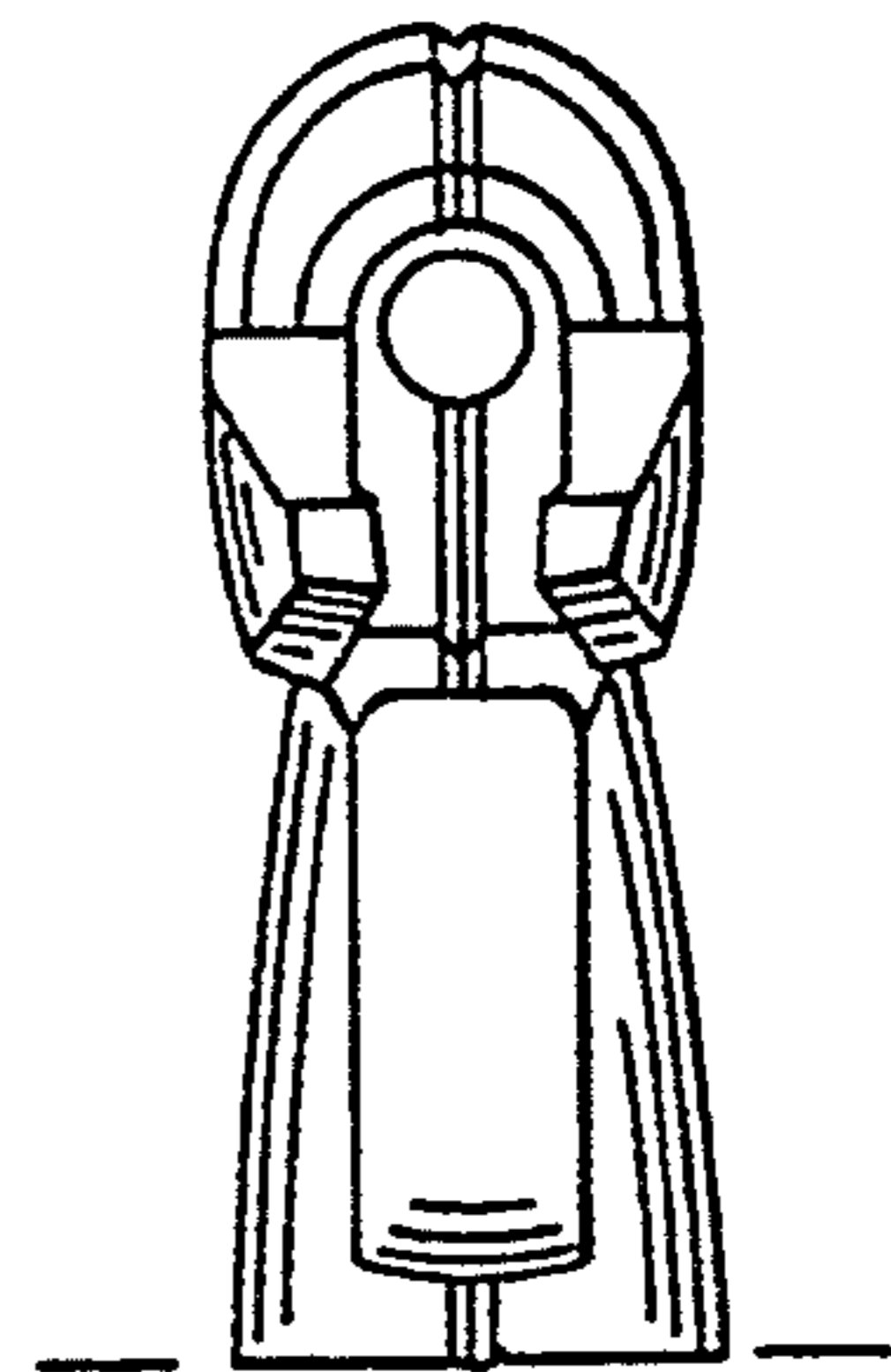


FIG. 10

