



US00D351767S

United States Patent [19]
Gambino

[11] **Patent Number: Des. 351,767**

[45] **Date of Patent: ** Oct. 25, 1994**

[54] **BEVERAGE CONTAINER HOLDER**

5,058,790 10/1991 La Vielle 224/275

[76] **Inventor: Antonio Gambino, 236 S. High St.,
Baltimore, Md. 21202**

Primary Examiner—Terry A. Wallace
Attorney, Agent, or Firm—Walter G. Finch

[**] **Term: 14 Years**

[57] **CLAIM**

[21] **Appl. No.: 6,832**

The ornamental design for a beverage container holder,
as shown and described.

[22] **Filed: Apr. 8, 1993**

[52] **U.S. Cl. D7/701**

[58] **Field of Search D7/701-708,
D7/619-623; 211/71, 74, 86; 224/273, 275**

DESCRIPTION

[56] **References Cited**

U.S. PATENT DOCUMENTS

D. 267,841 2/1983 Leslie D7/704
1,023,178 4/1912 Stevens D7/701 X
5,040,763 8/1991 Wilson 224/275

FIG. 1 is a perspective view of a beverage container holder showing my new design;
FIG. 2 is a front elevational view thereof;
FIG. 3 is a rear elevational view thereof;
FIG. 4 is a left side elevational view thereof;
FIG. 5 is a right side elevational view thereof;
FIG. 6 is a top plan view thereof; and,
FIG. 7 is a bottom plan view thereof.

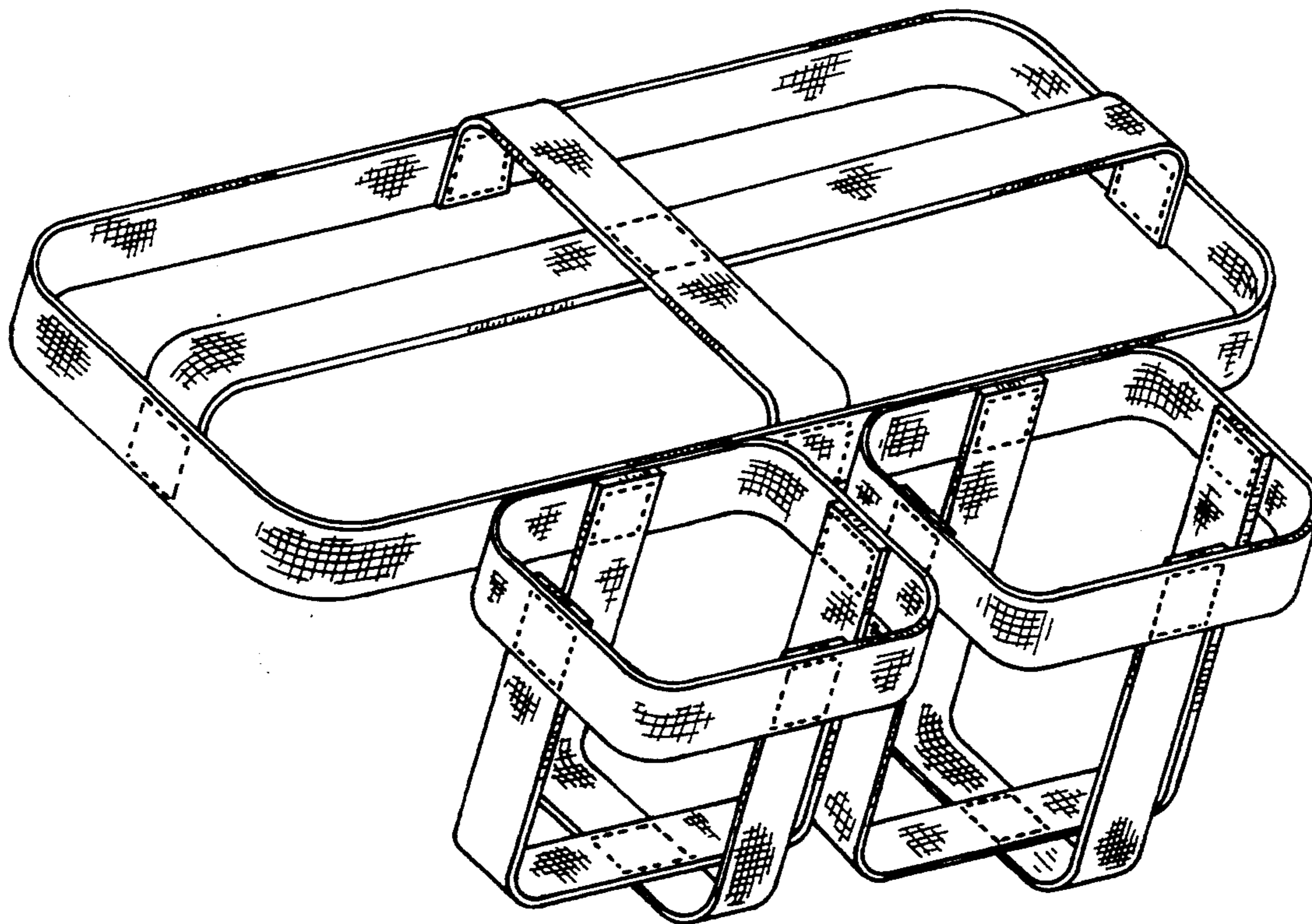


FIG. 1

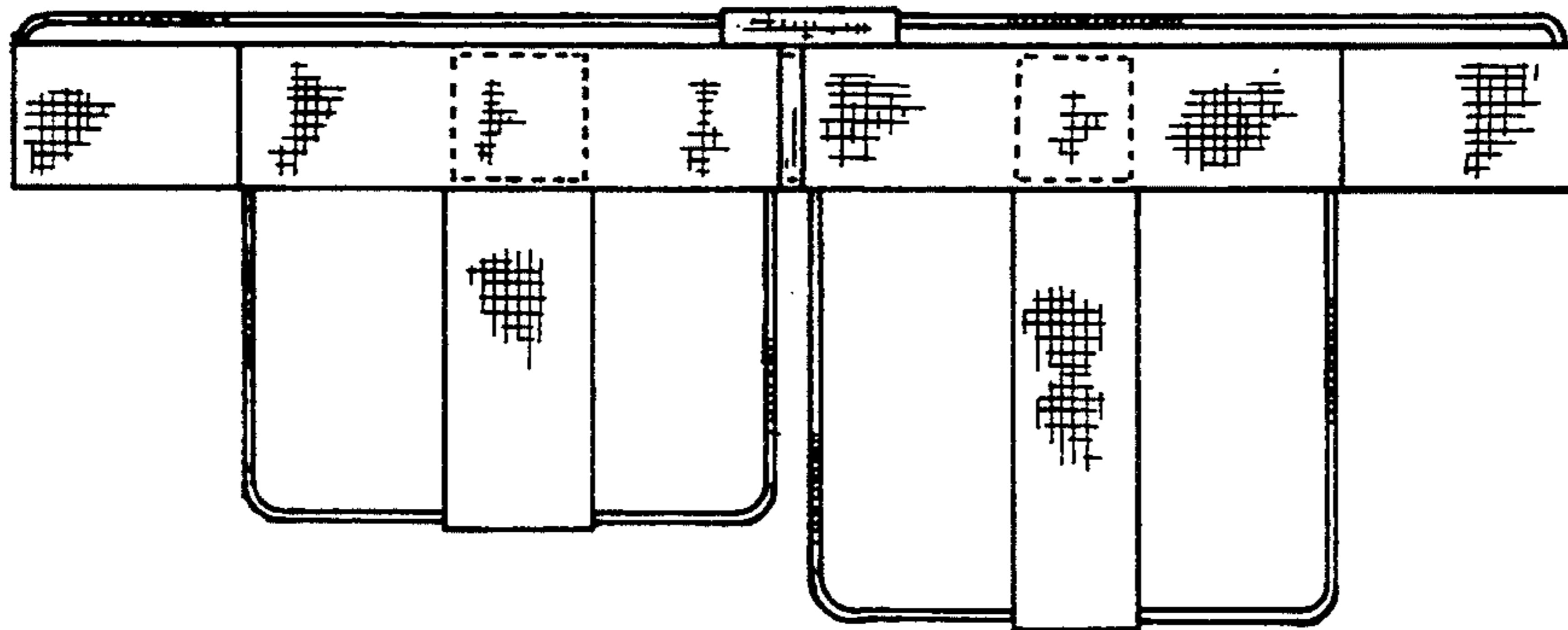
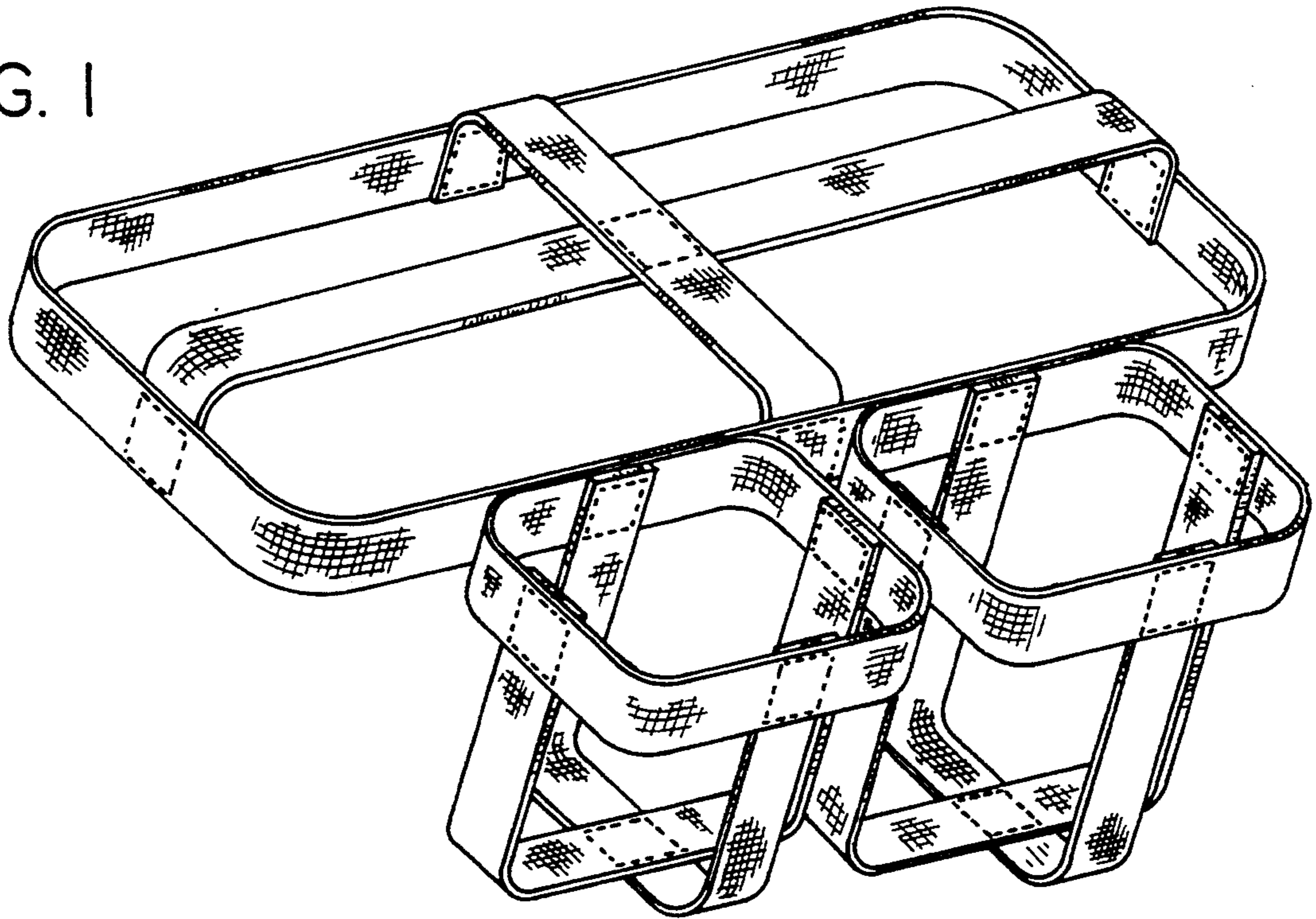


FIG. 2

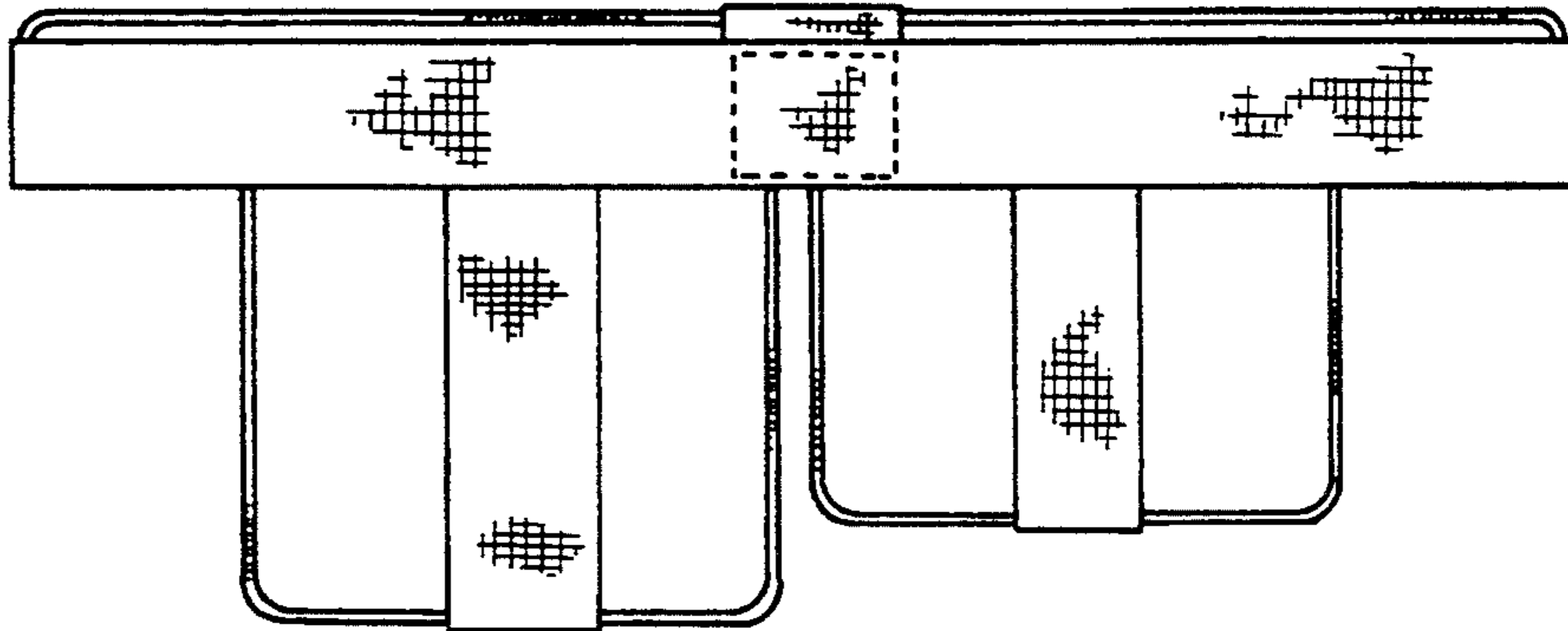


FIG. 3

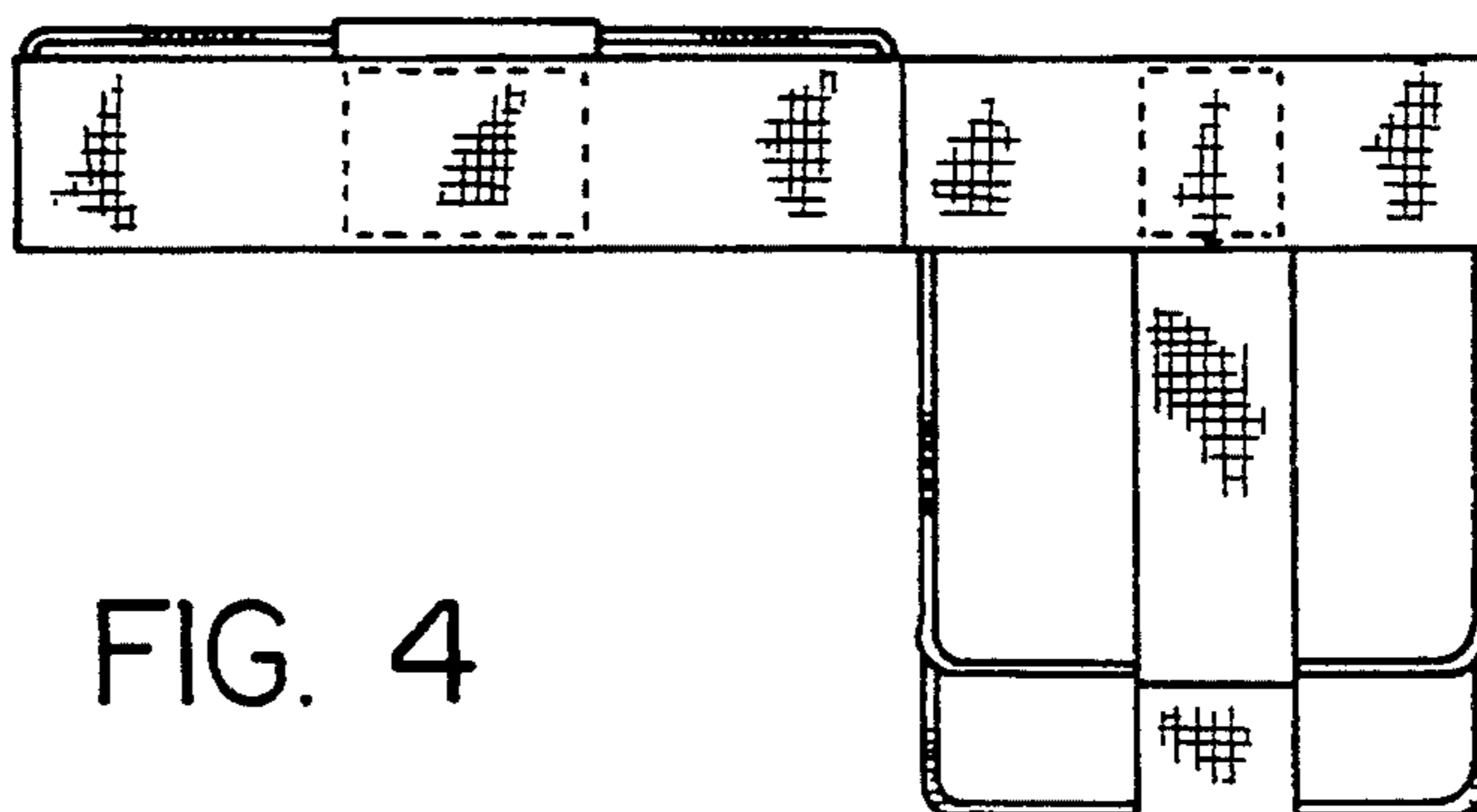


FIG. 4

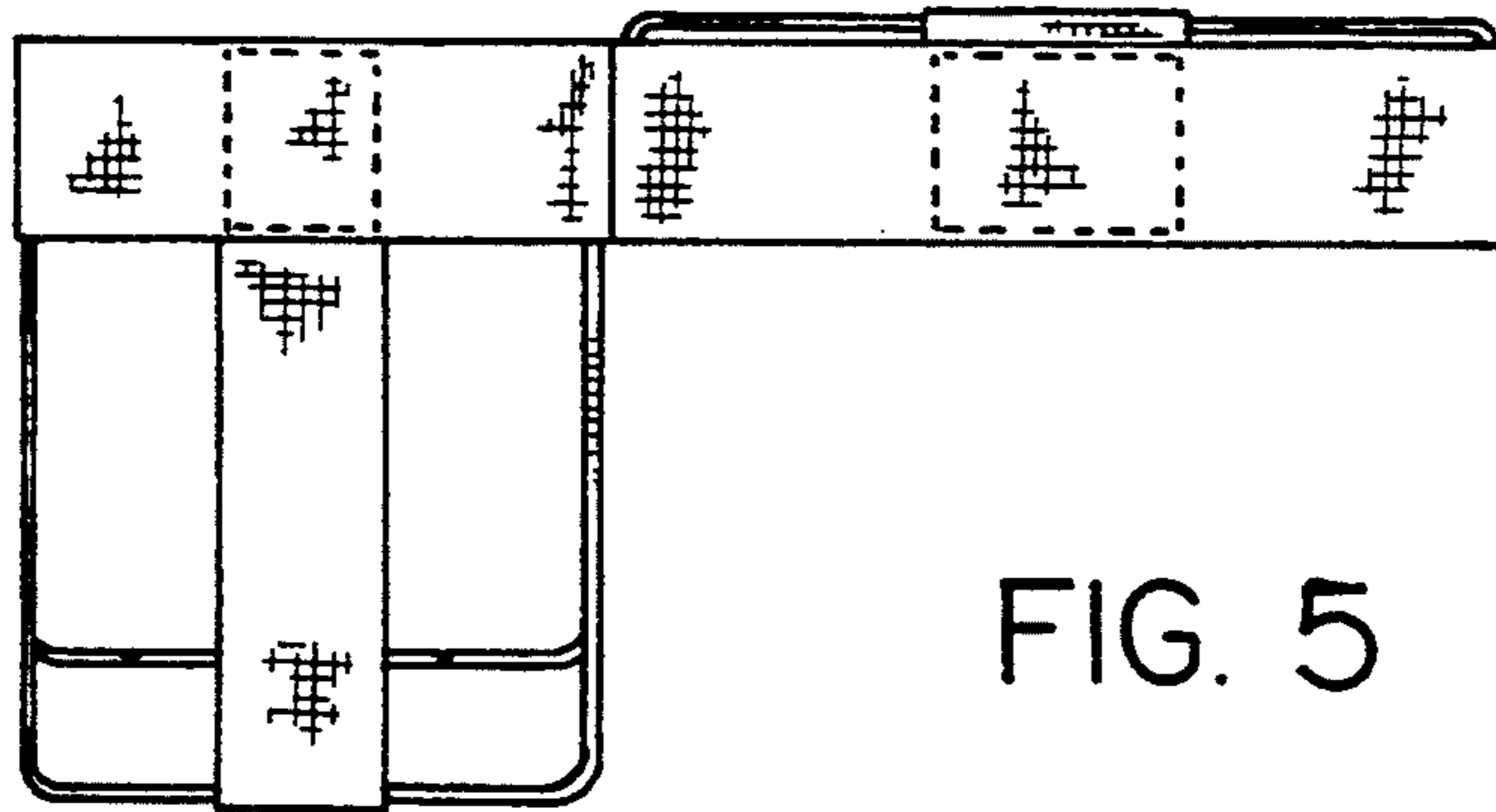


FIG. 5

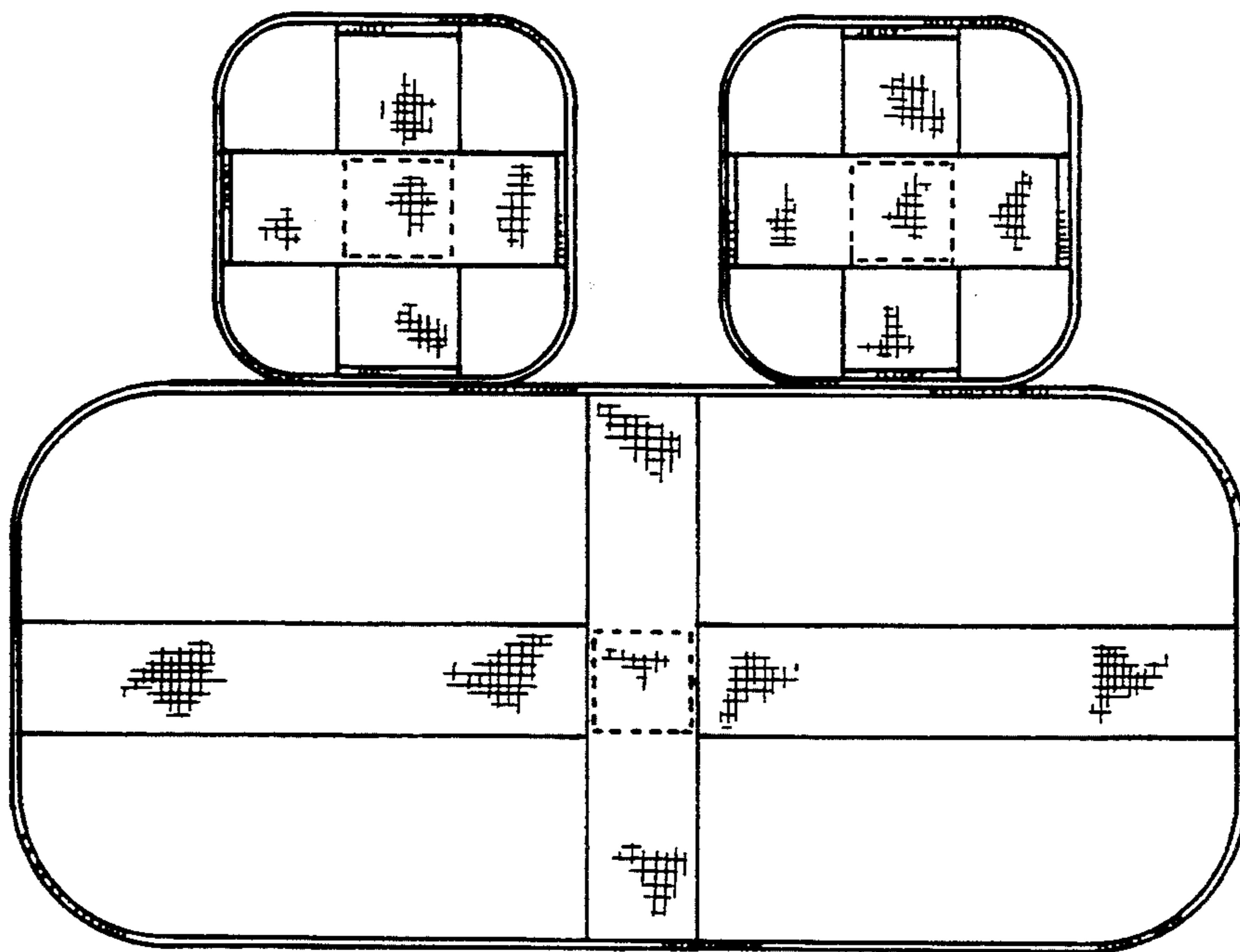


FIG. 6

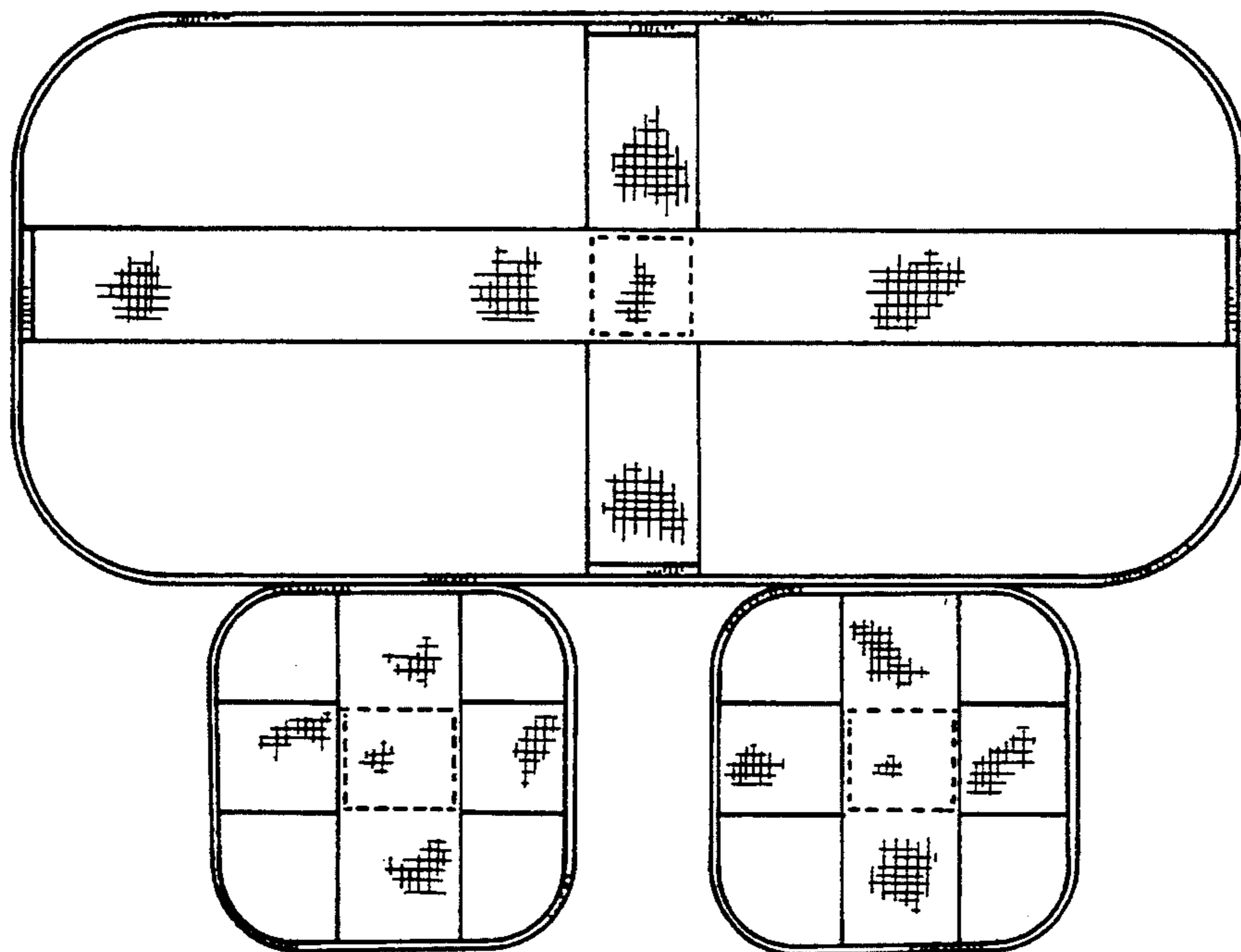


FIG. 7