



US00D351760S

United States Patent [19]

[11] Patent Number: Des. 351,760

Frank

[45] Date of Patent: \*\* Oct. 25, 1994

[54] PROTECTIVE BARRIER SAFETY DEVICE

[76] Inventor: Phillip L. Frank, RR #1 Italy Cross, 605 Camperdown Road, Lun Co., Nova Scotia, Canada, B0J 1V0

[\*\*] Term: 14 Years

[21] Appl. No.: 6,167

[22] Filed: Mar. 22, 1993

[52] U.S. Cl. .... D7/402

[58] Field of Search ..... D7/402, 405, 406; 126/214 D, 299 C, 42; D6/503, 511; D25/119

[56] References Cited

U.S. PATENT DOCUMENTS

D. 221,315	7/1971	Landau .....	D7/402
D. 279,073	6/1985	Simpson et al. ....	D7/402
D. 284,345	6/1986	Baughman .....	D7/402
D. 285,508	9/1986	Murphy .....	D6/566
D. 305,291	1/1990	Klev .....	D7/402
D. 325,249	4/1992	Kliebert .....	D7/402
D. 338,121	8/1993	Pelosi .....	D6/511
D. 339,718	9/1993	Coy .....	D7/402

D. 346,529	5/1994	Honaker .....	D7/402
1,961,144	6/1934	Griffith .....	D6/511
4,155,343	5/1979	Hartman .....	126/211
4,457,705	6/1979	Caan .....	126/214 D
4,517,955	5/1985	Ehrlich et al. ....	126/211

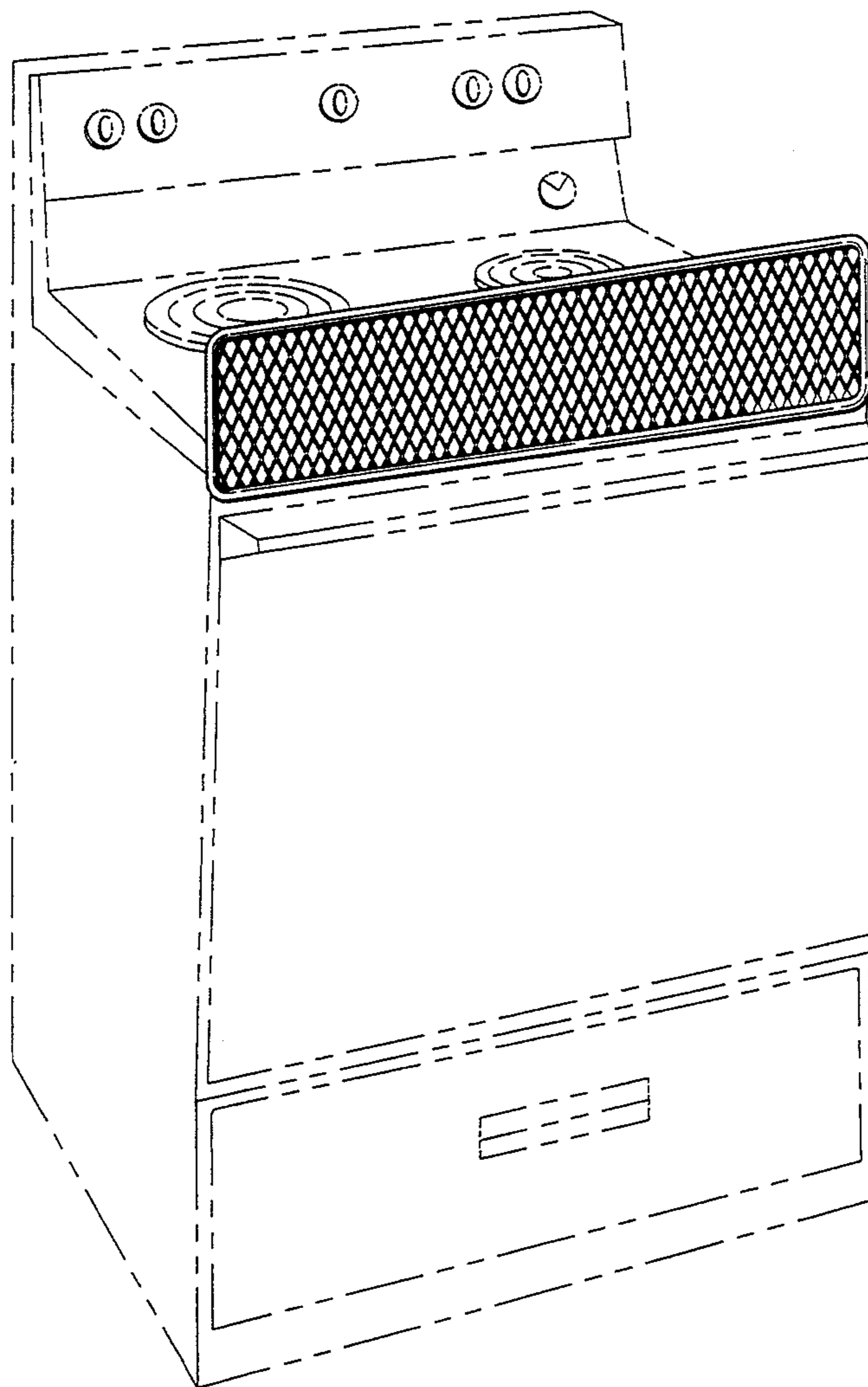
Primary Examiner—Ruth McInroy  
Attorney, Agent, or Firm—Rhodes and Ascolillo

[57] CLAIM

The ornamental design for a protective barrier safety device, as shown and described.

DESCRIPTION

FIG. 1 is a perspective view of a protective barrier safety device showing my new design, the stove shown in broken lines is for illustrative purposes only and forms no part of the claimed design;  
FIG. 2 is a front elevational view thereof;  
FIG. 3 is a top plan view thereof;  
FIG. 4 is a right side elevational view thereof;  
FIG. 5 is a rear elevational view thereof;  
FIG. 6 is a bottom plan view thereof; and,  
FIG. 7 is a left side elevational view thereof.



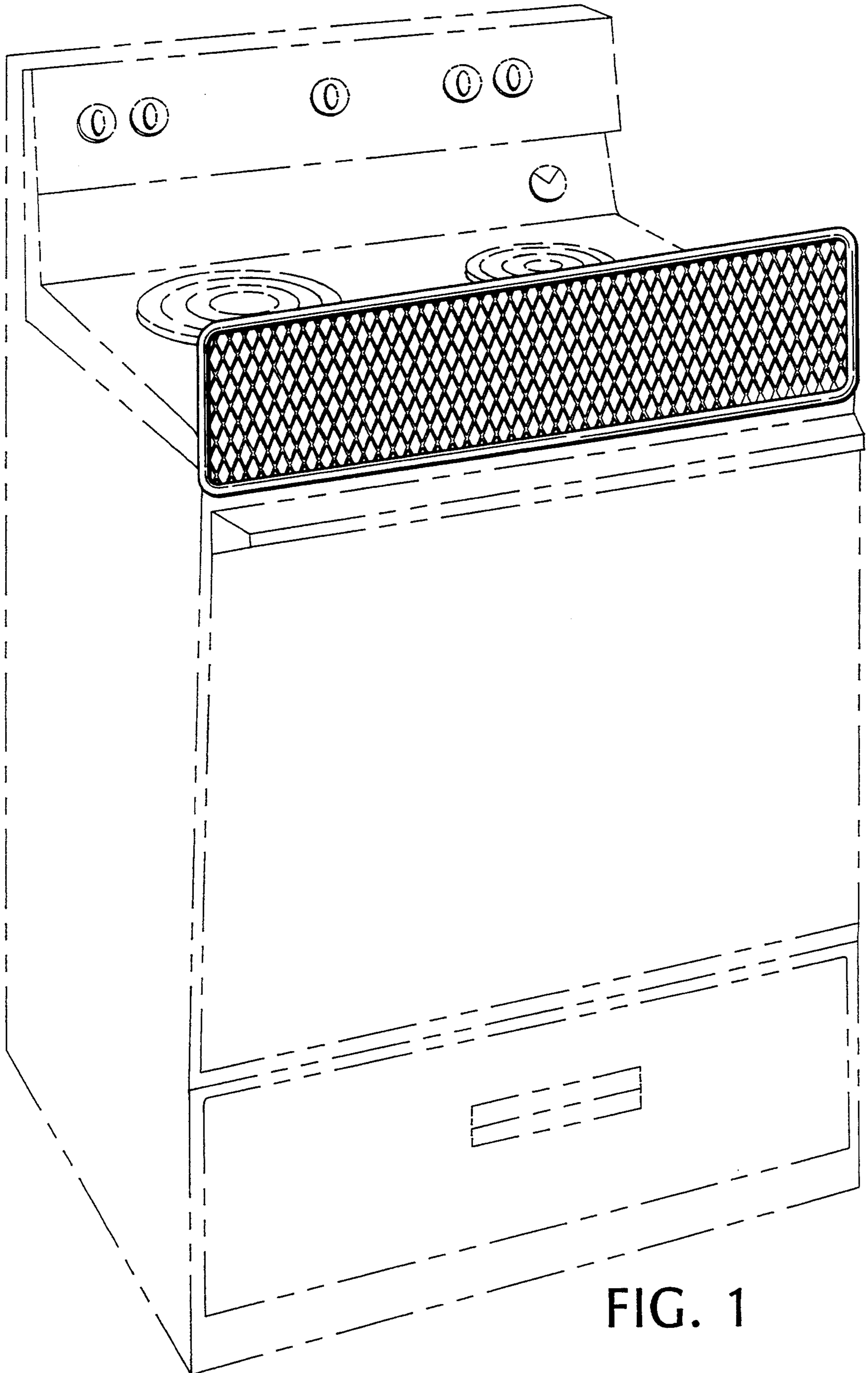


FIG. 1

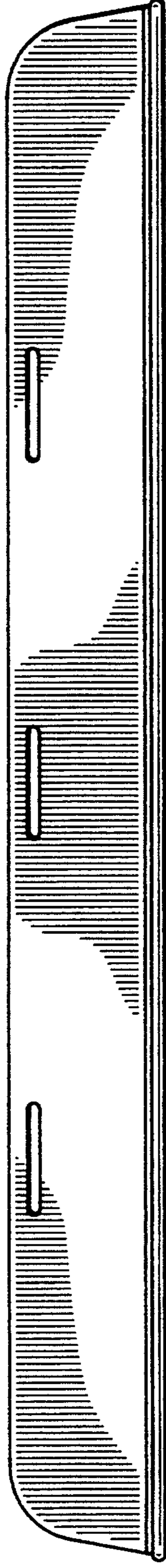


FIG. 3

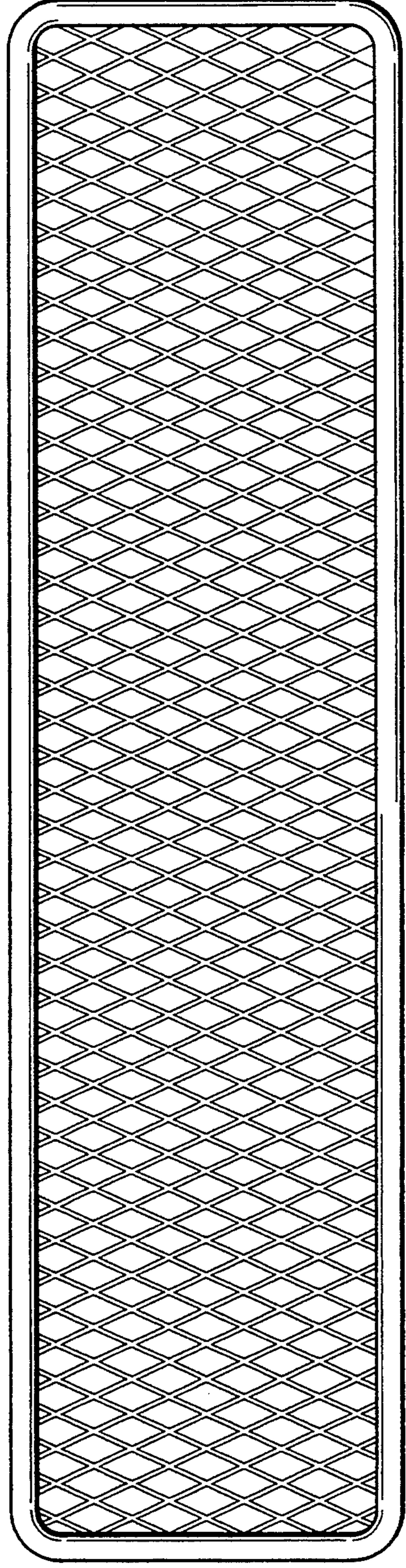


FIG. 2

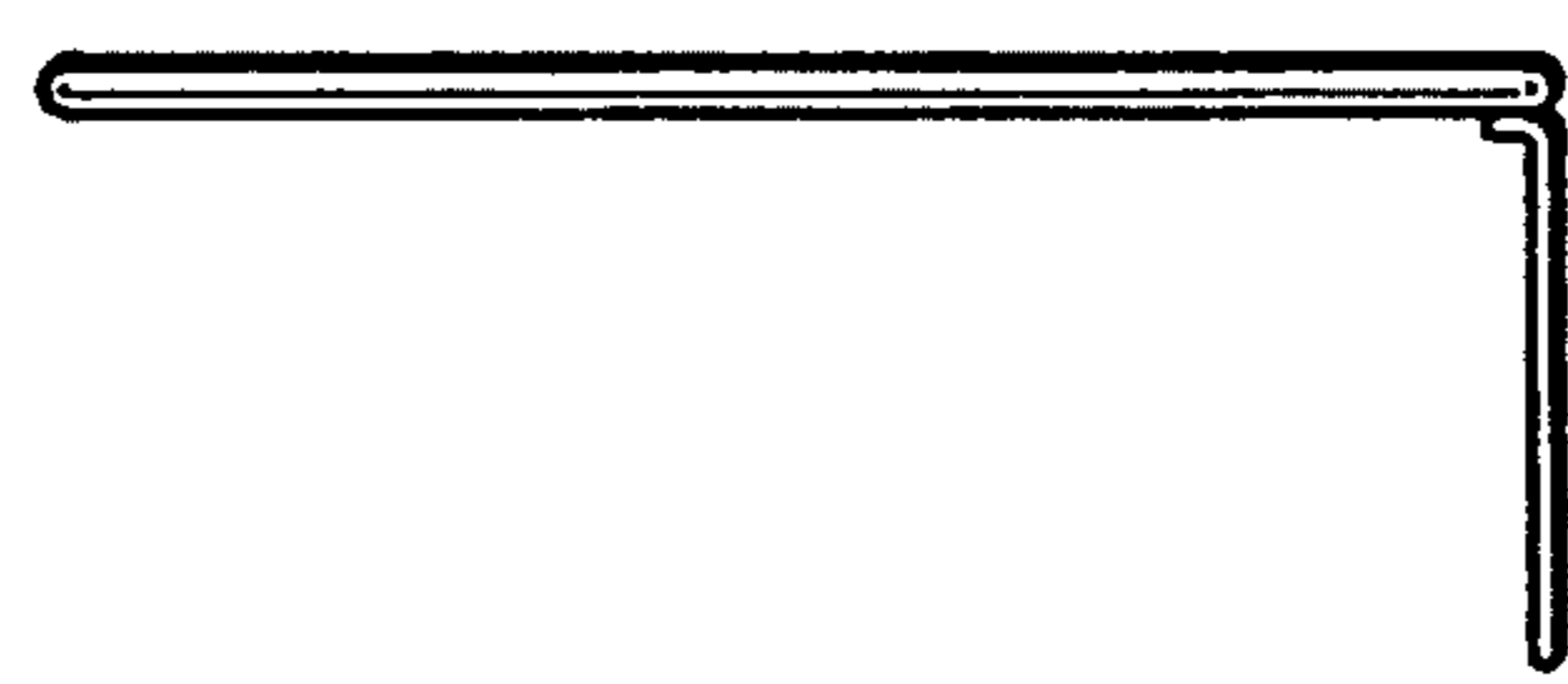


FIG. 4

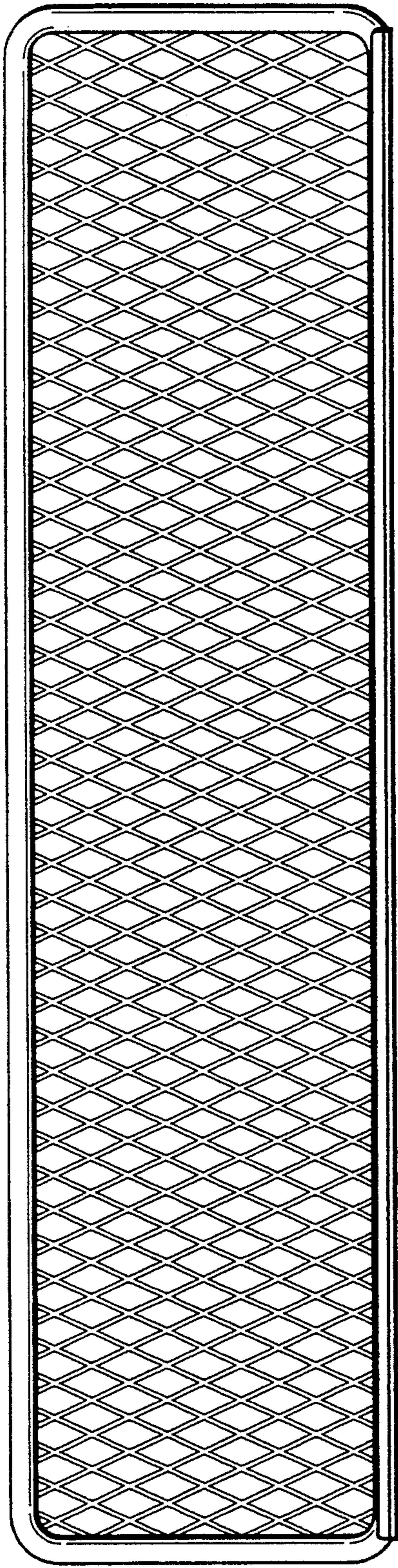


FIG. 5



FIG. 7

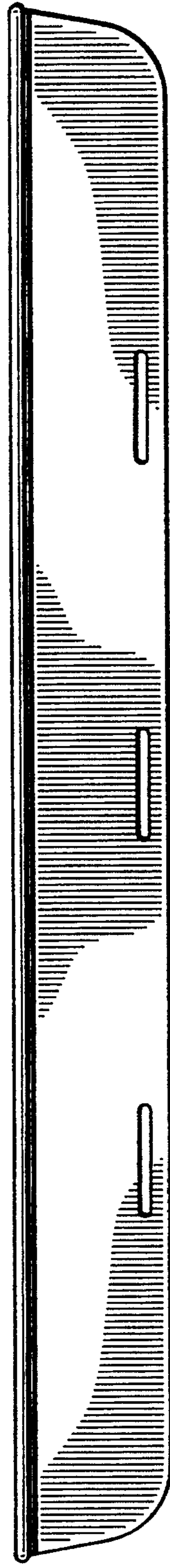


FIG. 6