



US00D351754S

# United States Patent [19] Peck

[11] Patent Number: **Des. 351,754**  
[45] Date of Patent: **\*\* Oct. 25, 1994**

[54] **MULTI-PURPOSE PORTABLE HOOK AND RACK ASSEMBLY**

[76] Inventor: **Lyman E. Peck**, 367 North St.,  
Winooski, Vt. 05404

[\*\*] Term: **14 Years**

[21] Appl. No.: **15,763**

[22] Filed: **Nov. 29, 1993**

[52] U.S. Cl. .... **D6/572**

[58] Field of Search ..... **D6/553-574;**  
**D8/367, 373; 211/13, 30, 32, 34-35, 41, 60.1,**  
**59.1, 86-87, 123; 248/304, 309.2**

[56] **References Cited**

**U.S. PATENT DOCUMENTS**

D. 241,207	8/1976	West, III	.....	D6/567
D. 339,945	10/1993	Moser	.....	D6/570
3,288,304	11/1966	Graves	.....	211/64
4,586,616	5/1986	Cooper et al.	.....	211/87
4,856,661	8/1989	Guillen et al.	.....	211/100

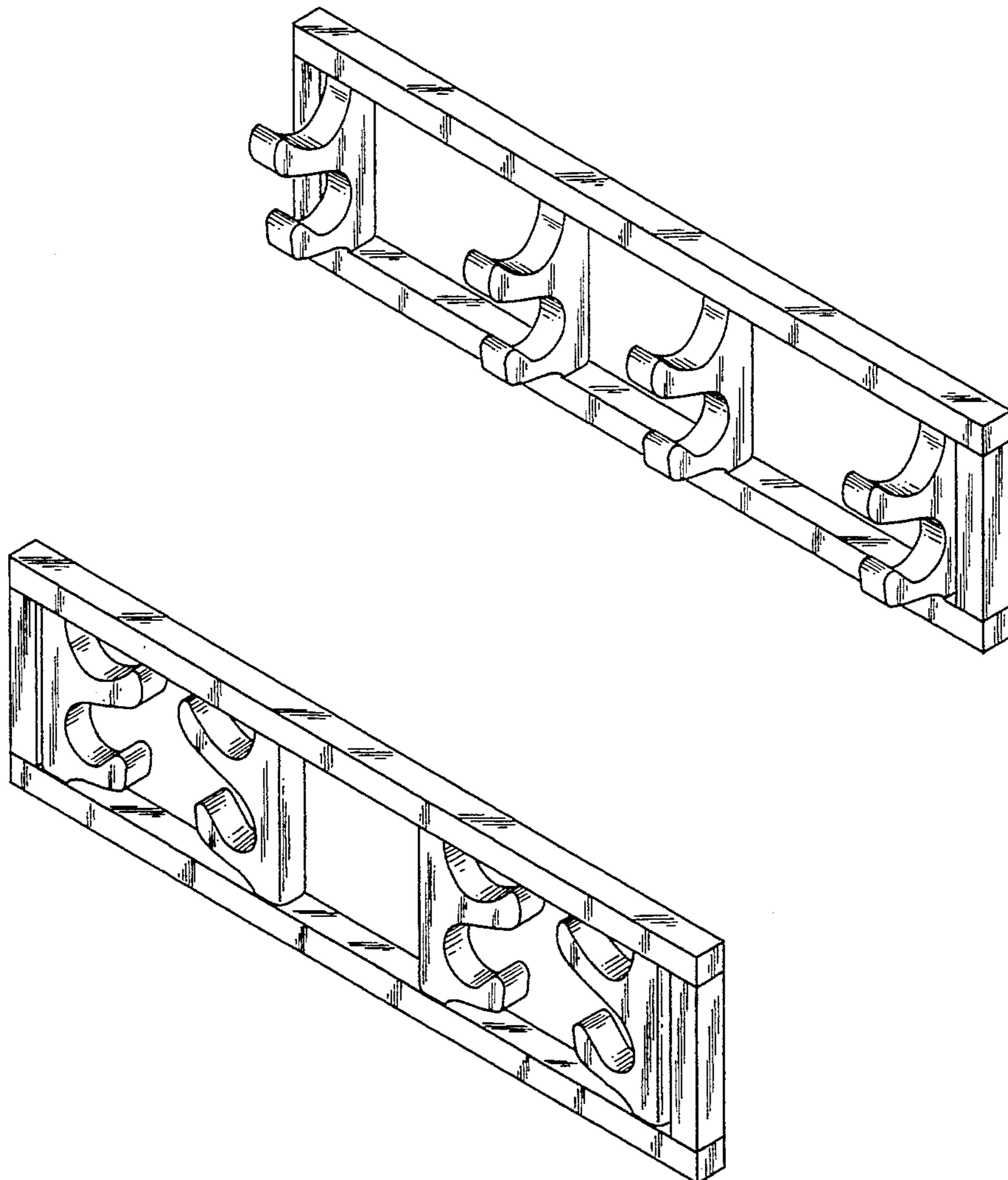
*Primary Examiner*—Brian N. Vinson  
*Attorney, Agent, or Firm*—Rhodes & Ascolillo

[57] **CLAIM**

The ornamental design for a multi-purpose portable hook and rack assembly, as shown.

**DESCRIPTION**

FIG. 1 is a perspective view of a multi-purpose portable hook and rack assembly with the hooks extended showing my new design therefor;  
FIG. 2 is a left side elevational view, the right side elevational view being a mirror image thereof;  
FIG. 3 is a front elevational view;  
FIG. 4 is a rear elevational view;  
FIG. 5 is a top plan view;  
FIG. 6 is a bottom plan view;  
FIG. 7 is a perspective view of a multi-purpose portable hook and rack assembly with the hooks in their folded configuration;  
FIG. 8 is a left side elevational view, the right side elevational view being a mirror image thereof;  
FIG. 9 is a front elevational view, the rear elevational view being a mirror image thereof; and,  
FIG. 10 is a top plan view, the bottom plan view being a mirror image thereof.



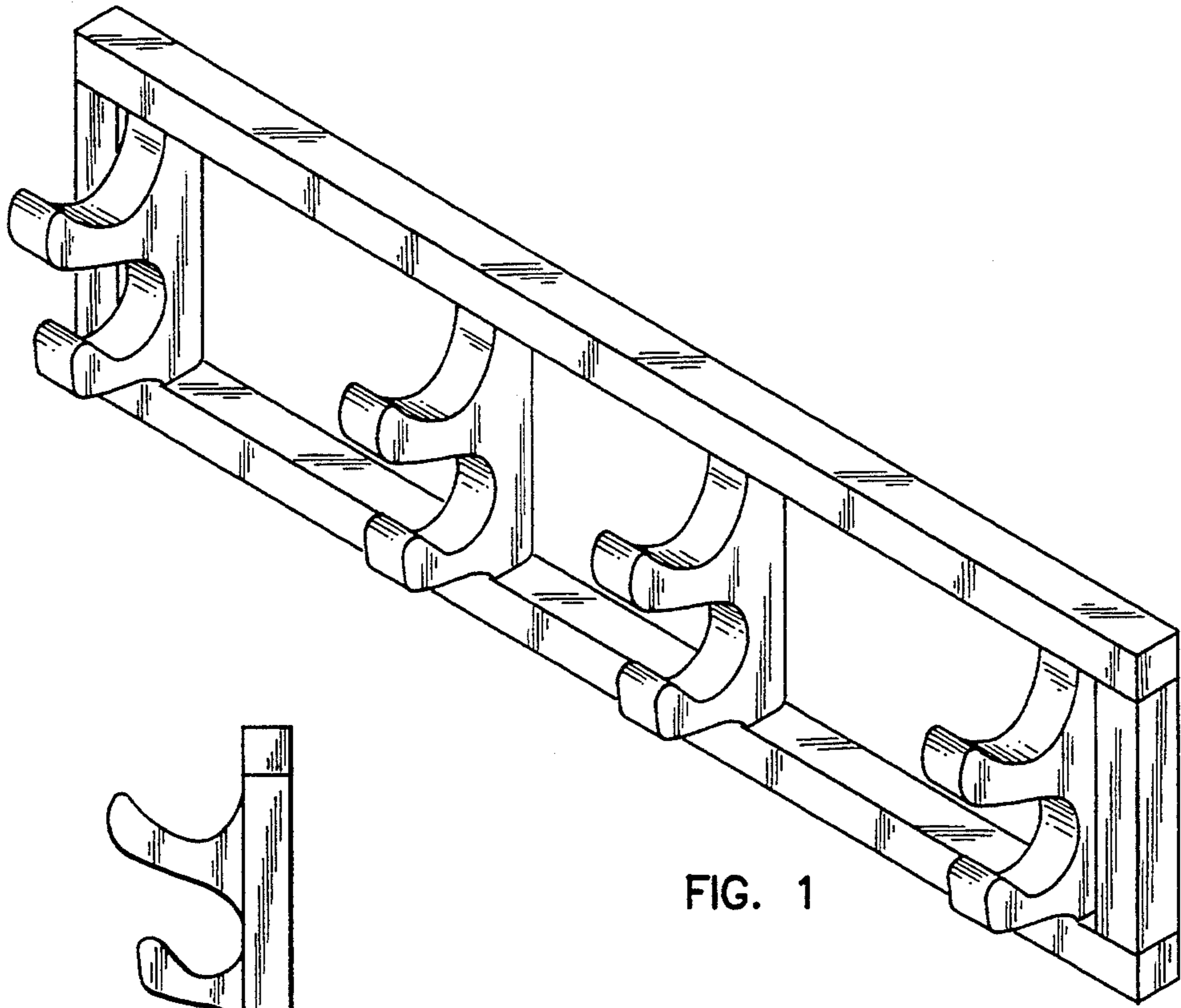


FIG. 1

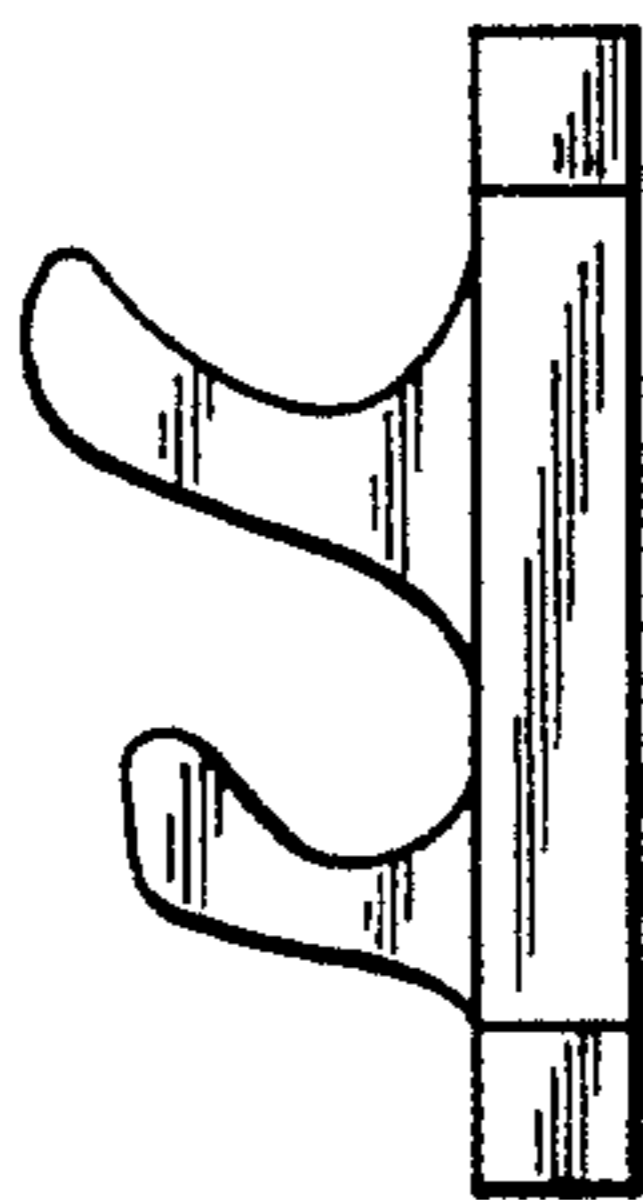


FIG. 2

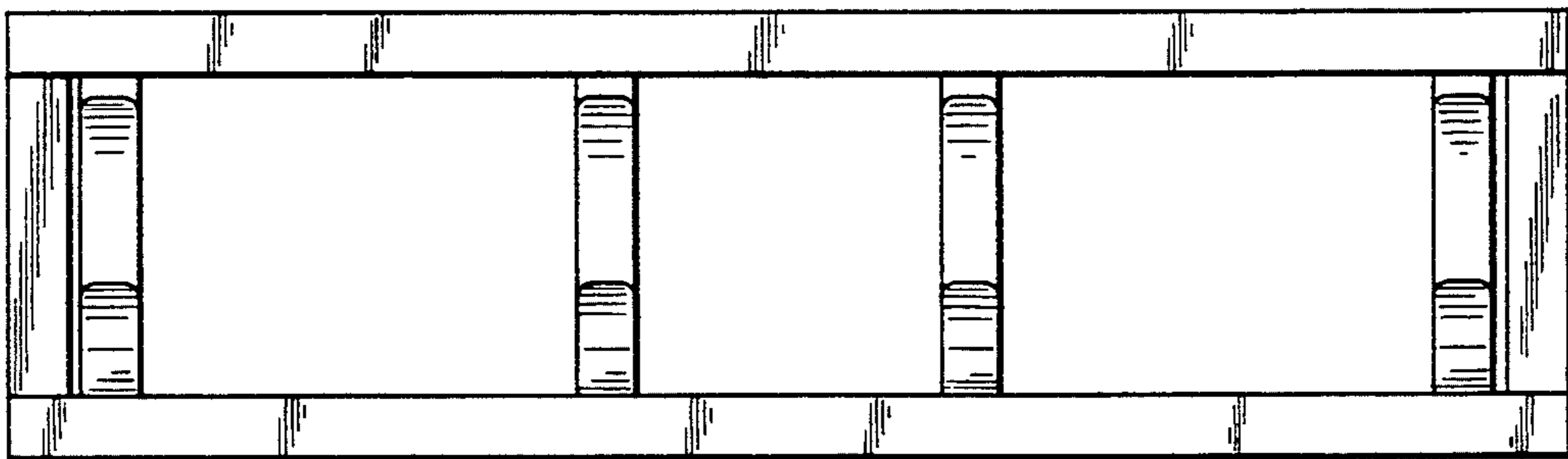


FIG. 3

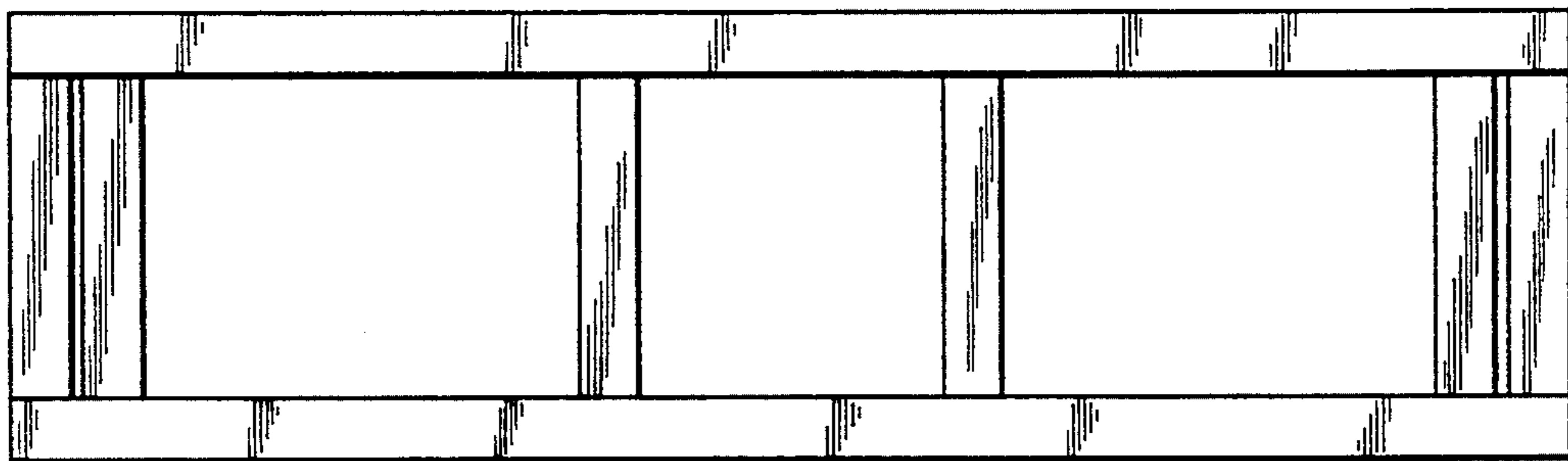


FIG. 4

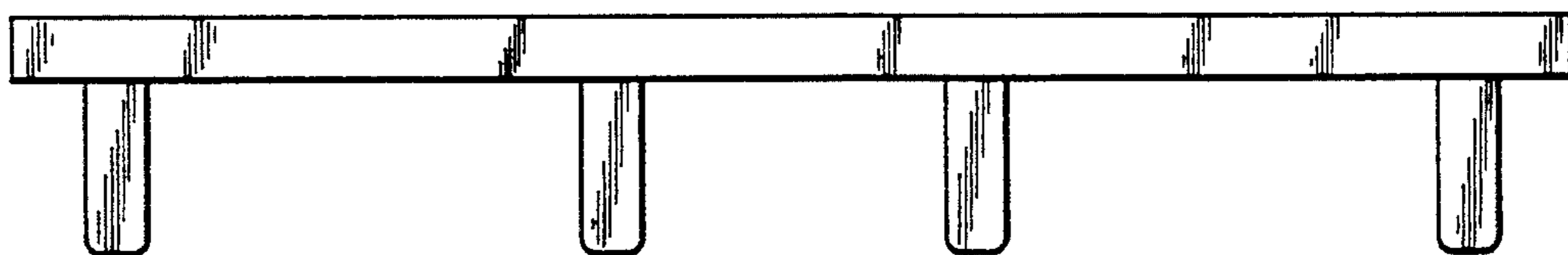


FIG. 5



FIG. 6

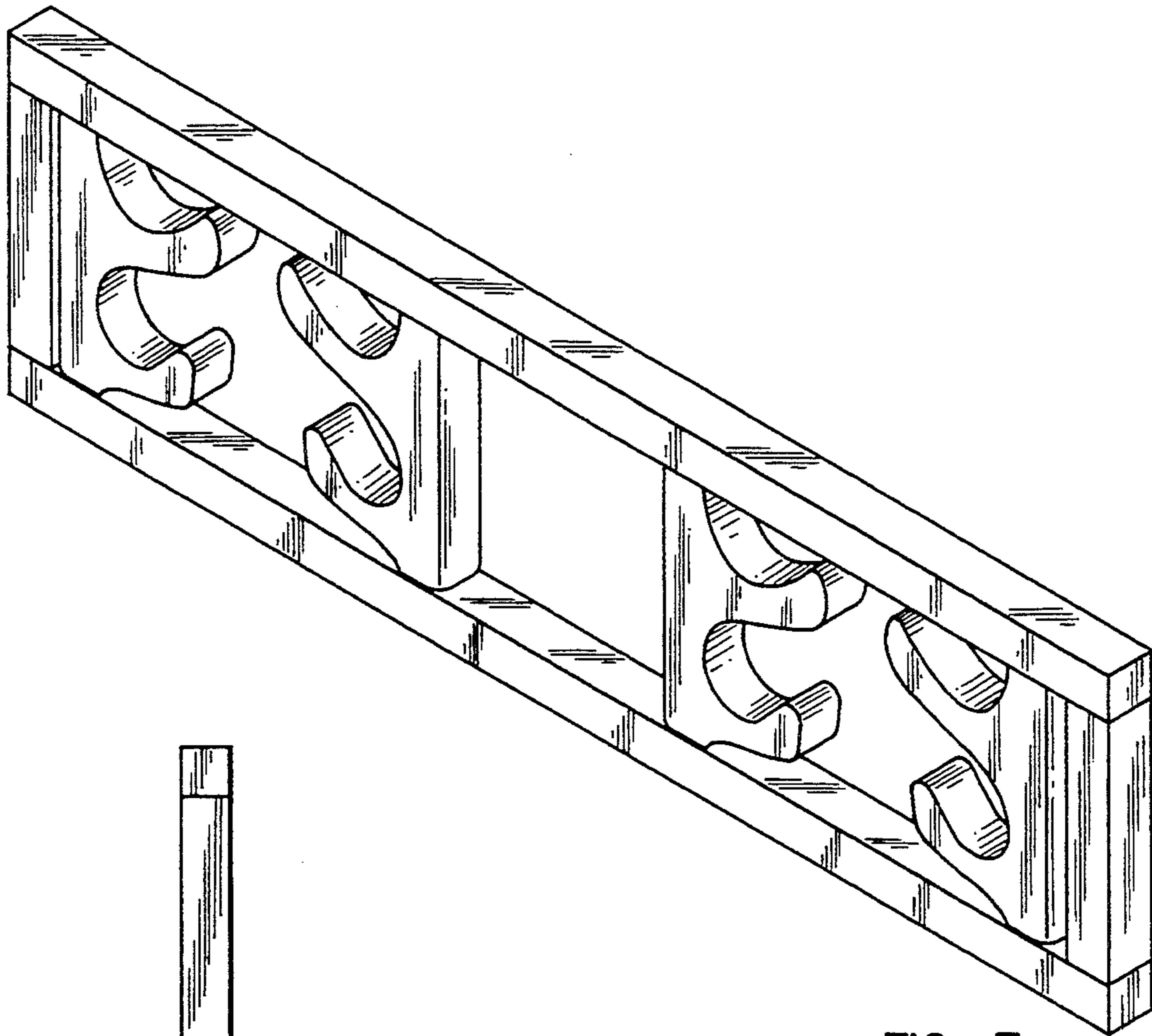


FIG. 8

FIG. 7

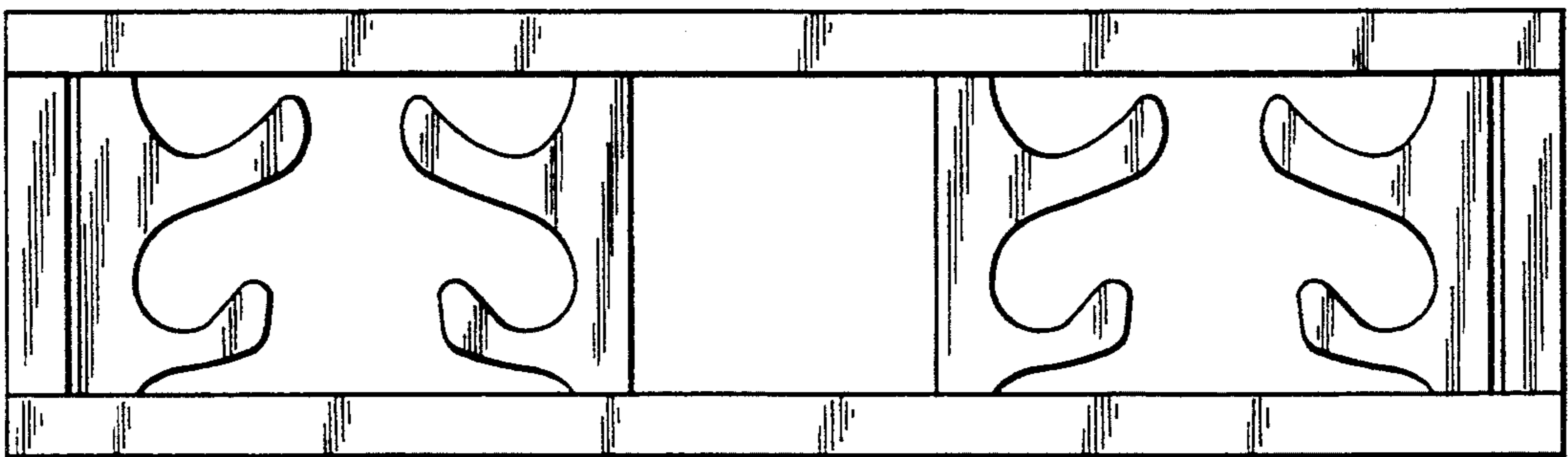


FIG. 9



FIG. 10