



US00D351751S

United States Patent [19]

[11] Patent Number: **Des. 351,751**

Brightbill et al.

[45] Date of Patent: **** Oct. 25, 1994**

[54] SHOWER CADDY

[75] Inventors: **Keith E. Brightbill**, Wooster; **Richard E. Corney**, Uniontown; **Coy D. Ward**, Norton, all of Ohio

[73] Assignee: **Rubbermaid Incorporated**, Wooster, Ohio

[**] Term: **14 Years**

[21] Appl. No.: **16,922**

[22] Filed: **Dec. 29, 1993**

[52] U.S. Cl. **D6/525**

[58] Field of Search **D6/524-525, D6/536-537, 562, 566; 211/13, 86-88, 90, 106, 126, 134, 181**

[56] References Cited

U.S. PATENT DOCUMENTS

D. 233,639	11/1974	Wooters	D6/91
D. 274,201	6/1984	Aaron	D6/525
D. 274,393	6/1984	Sinchok	D6/86
D. 286,237	10/1986	Muderiak	D6/525
D. 307,222	4/1990	Korpjaako et al.	D6/562
D. 329,158	9/1992	Tuzi	D6/525
D. 340,604	10/1993	Conaway et al.	D6/525
D. 343,321	1/1994	Emery	D6/566
2,828,044	3/1958	Reiss et al.	D6/562 X
5,014,860	5/1991	Emery	211/106
5,167,331	12/1992	Luukkonen	211/181 X

OTHER PUBLICATIONS

Pp. 6, 7 and 8, Corner shelves, valets and caddies; Zenith Products Corp., address unknown. Publication date 1993.

Sell sheet, Corner caddies; Better Bath, a Division of Better Sleep Inc. Berkeley Heights, N.J. 07922. Publication date 1992.

Catalog page, Bath and shower caddy; Tucker Housewares, 25 Tucker Drive, Leominster, Mass. 01469. Publication date 1990.

P. 27, Shower caddies; Rubbermaid Incorporated, 1147 Akron Road, Wooster, Ohio 44691. Publication date 1988.

Primary Examiner—Brian N. Vinson

Attorney, Agent, or Firm—Richard B. O'Planick; Lisa B. Riedesel

[57] CLAIM

The ornamental design for a shower caddy, as shown and described.

DESCRIPTION

FIG. 1 is a top right front perspective view of a shower caddy showing our new design;

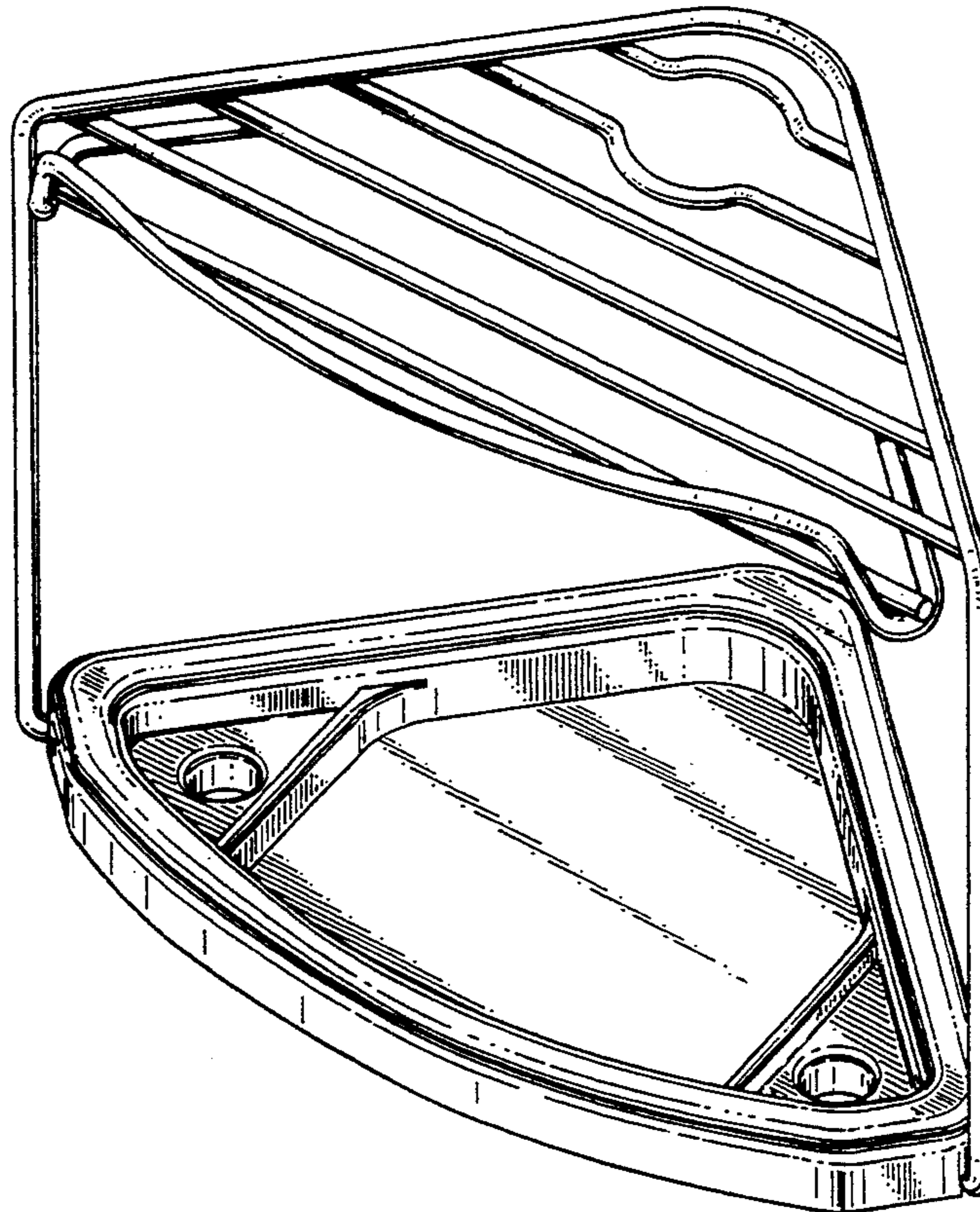
FIG. 2 is a rear elevational view thereof;

FIG. 3 is a front elevational view thereof;

FIG. 4 is a bottom plan view thereof;

FIG. 5 is a top plan view thereof; and,

FIG. 6 is a right side elevational view thereof, the left side elevational view being a mirror image.



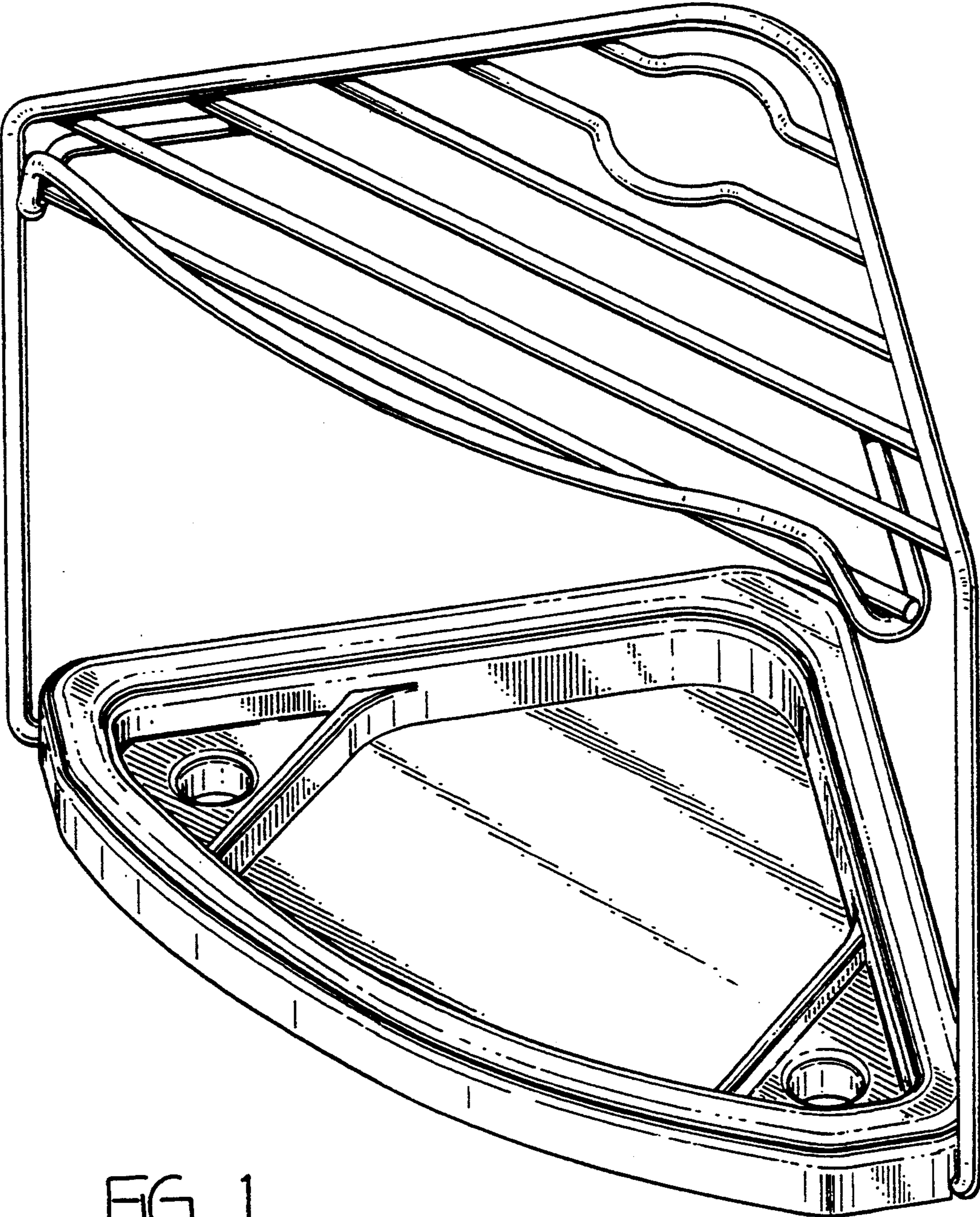


FIG. 1

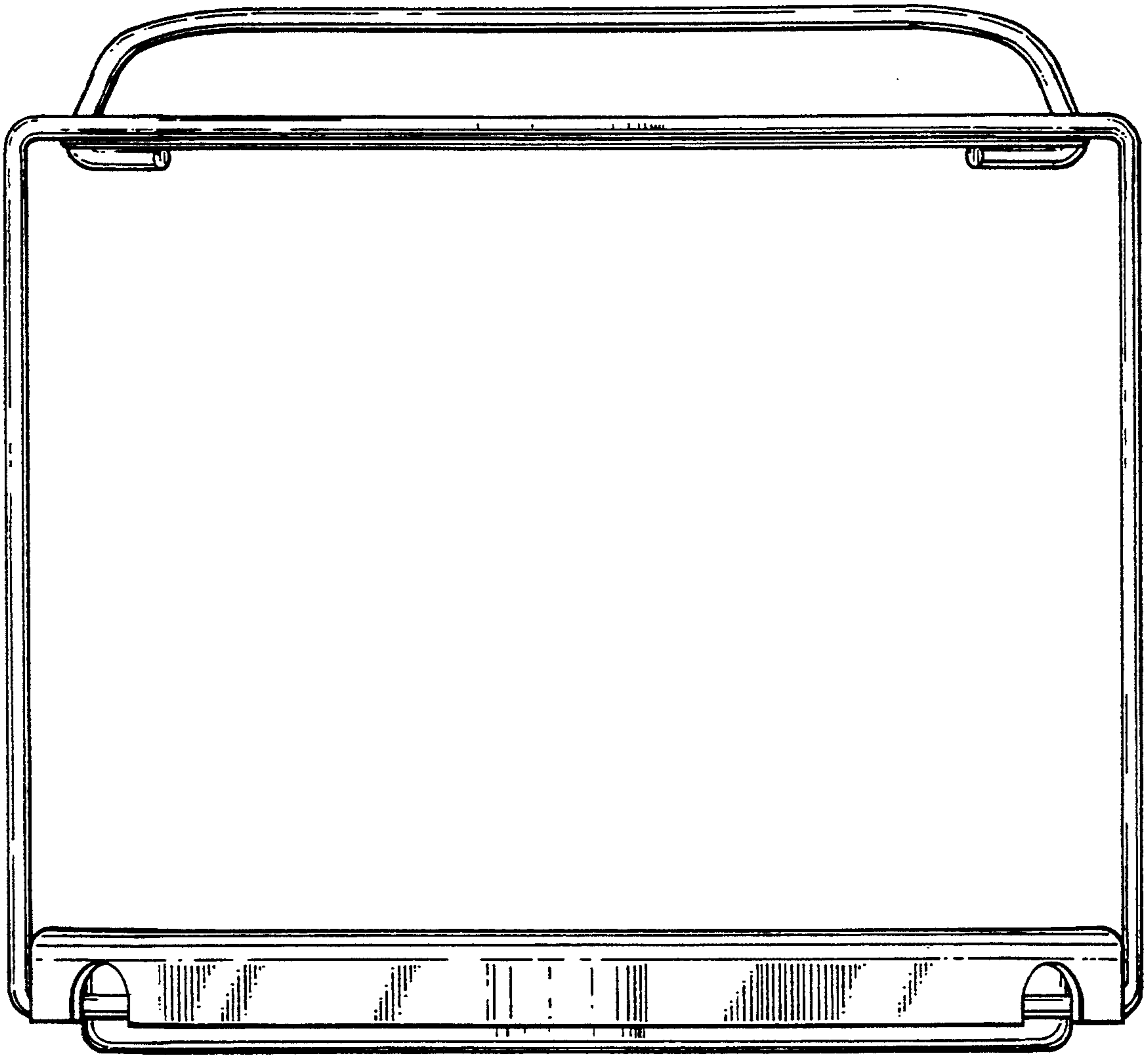


FIG. 2

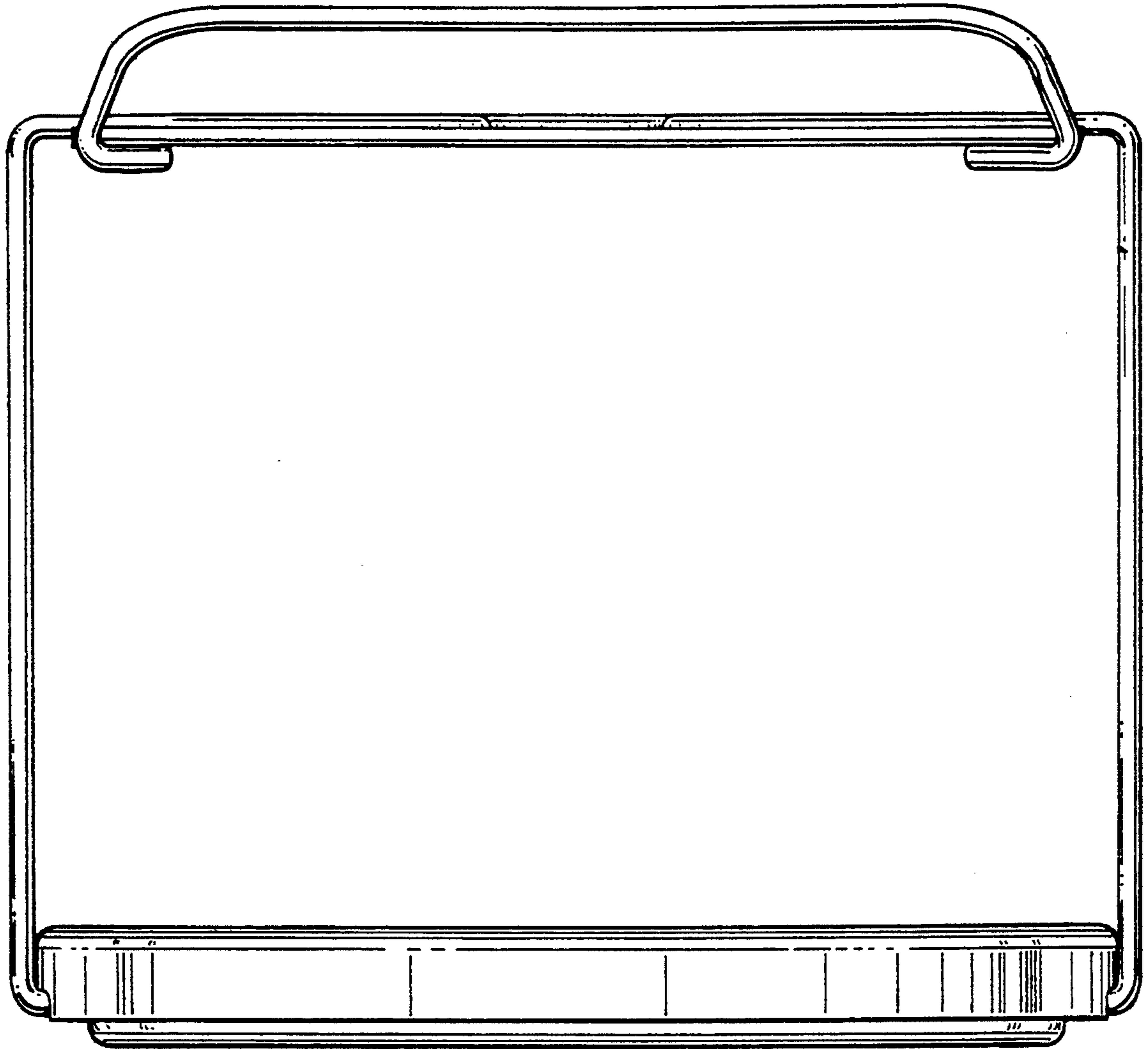


FIG. 3

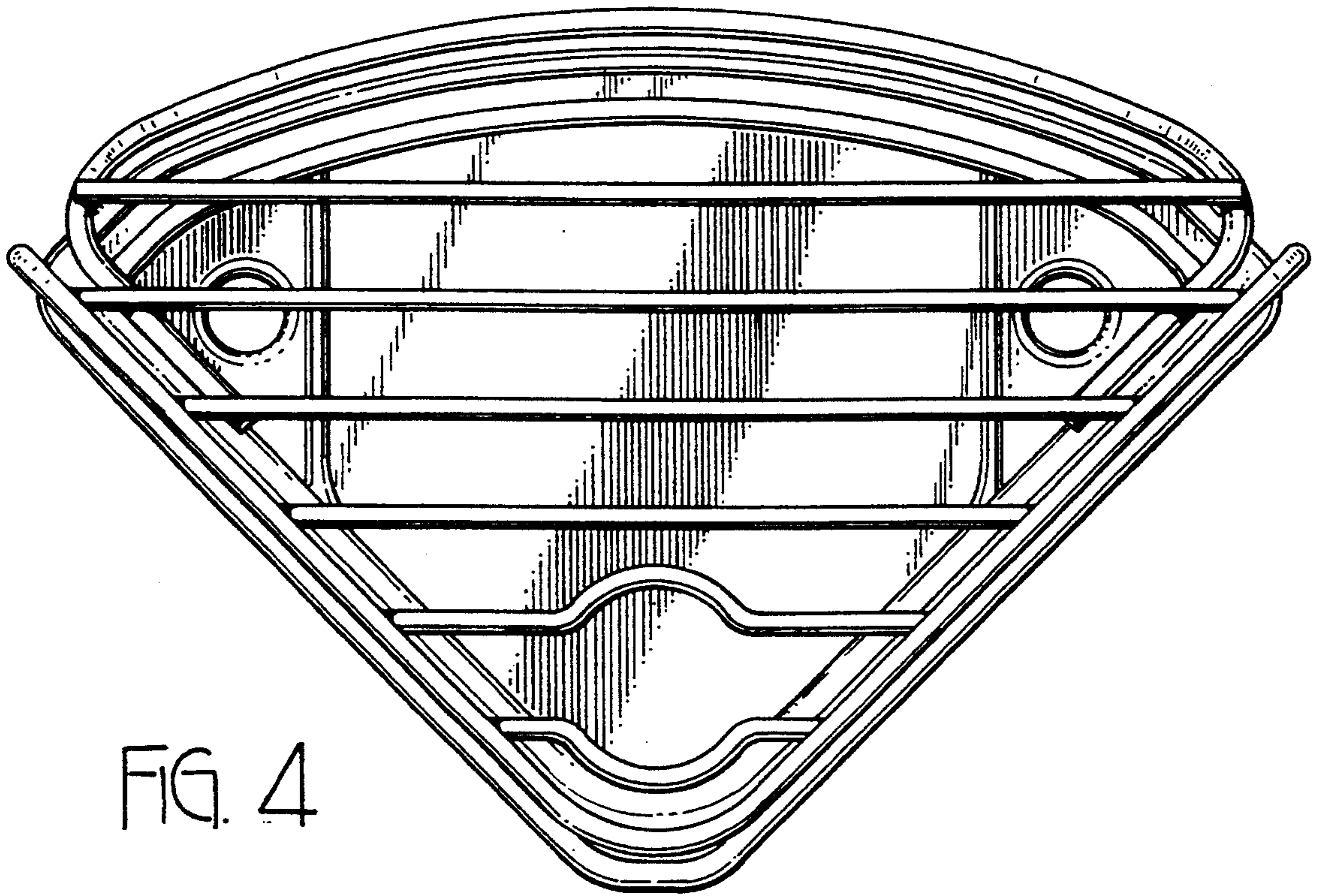


FIG. 4

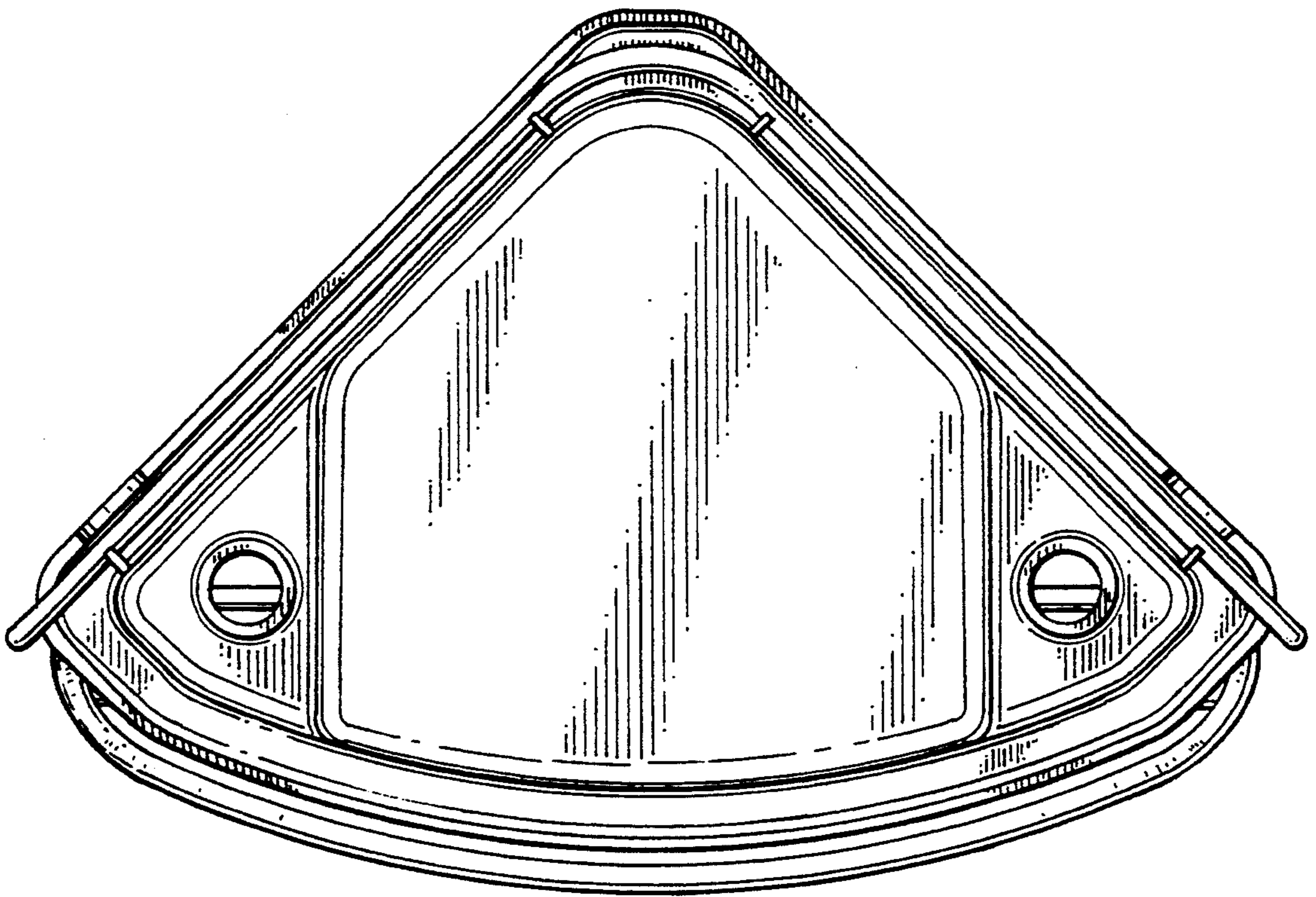


FIG. 5

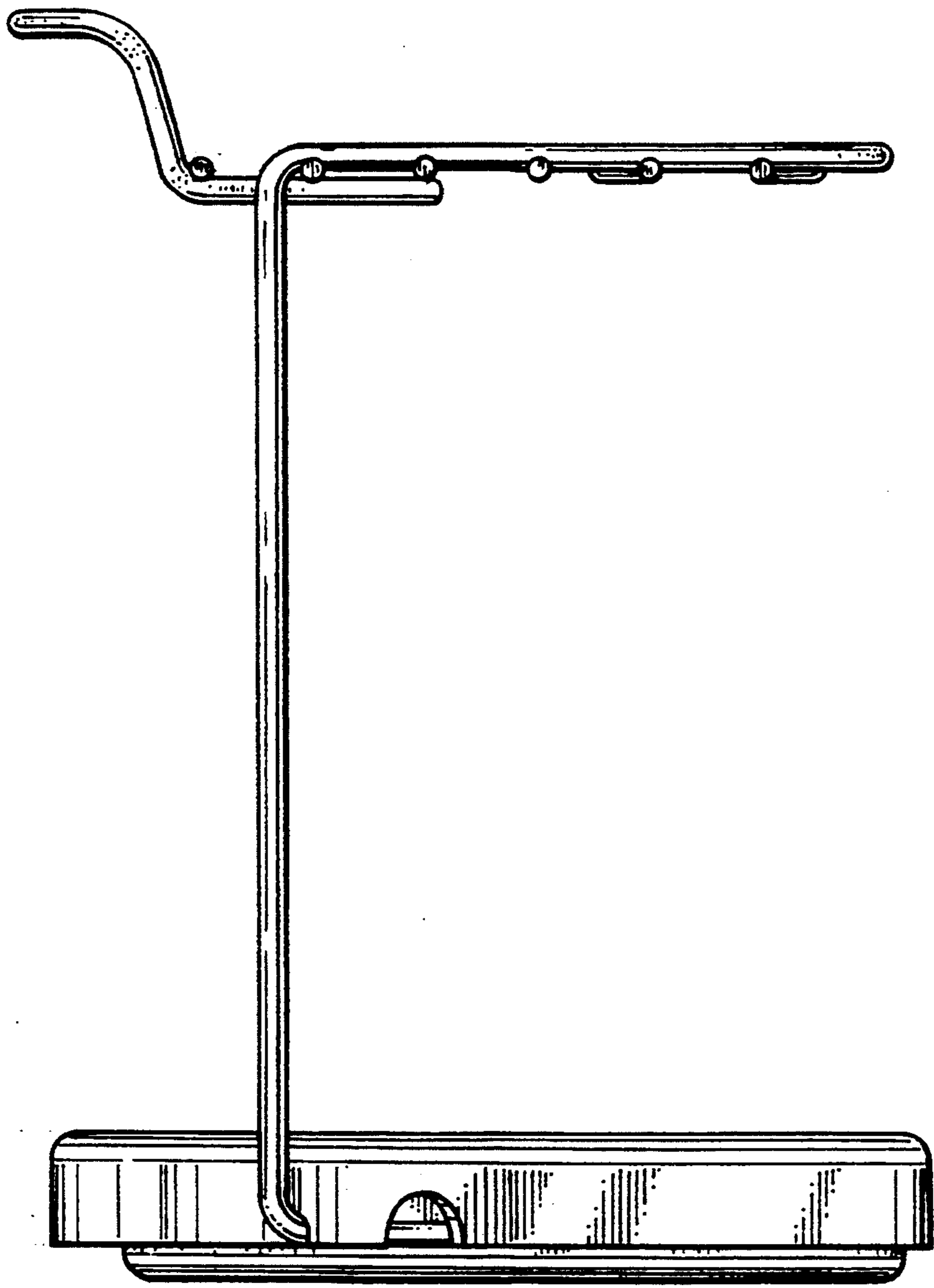


FIG. 6