



US00D351749S

United States Patent [19]

[11] Patent Number: **Des. 351,749**

Omdoll et al.

[45] Date of Patent: **** Oct. 25, 1994**

[54] TOILET TISSUE DISPENSER

D. 315,652	3/1991	Sigmund	D6/523 X
D. 335,410	5/1993	Abel et al.	D6/520
4,088,276	5/1978	Littleton	242/55.53

[75] Inventors: **Paul A. Omdoll**, Waukesha; **Scott J. Collins**, Brown Deer, both of Wis.

Primary Examiner—Brian N. Vinson
Attorney, Agent, or Firm—Michael, Best & Friedrich

[73] Assignee: **San Jamar, Inc.**, Elkhorn, Wis.

[**] Term: **14 Years**

[57] **CLAIM**

[21] Appl. No.: **14,360**

The ornamental design for a toilet tissue dispenser, as shown and described.

[22] Filed: **Oct. 19, 1993**

DESCRIPTION

[52] U.S. Cl. **D6/523**

[58] Field of Search **D6/518, 520, 522-523;**
242/55.2, 55.3, 55.42, 55.53, 55.55

FIG. 1 is a perspective view of the toilet tissue dispenser showing our new design;

FIG. 2 is a left side elevational view thereof;

FIG. 3 is a right side elevational view thereof;

FIG. 4 is a bottom plan view thereof;

FIG. 5 is a front elevational view thereof;

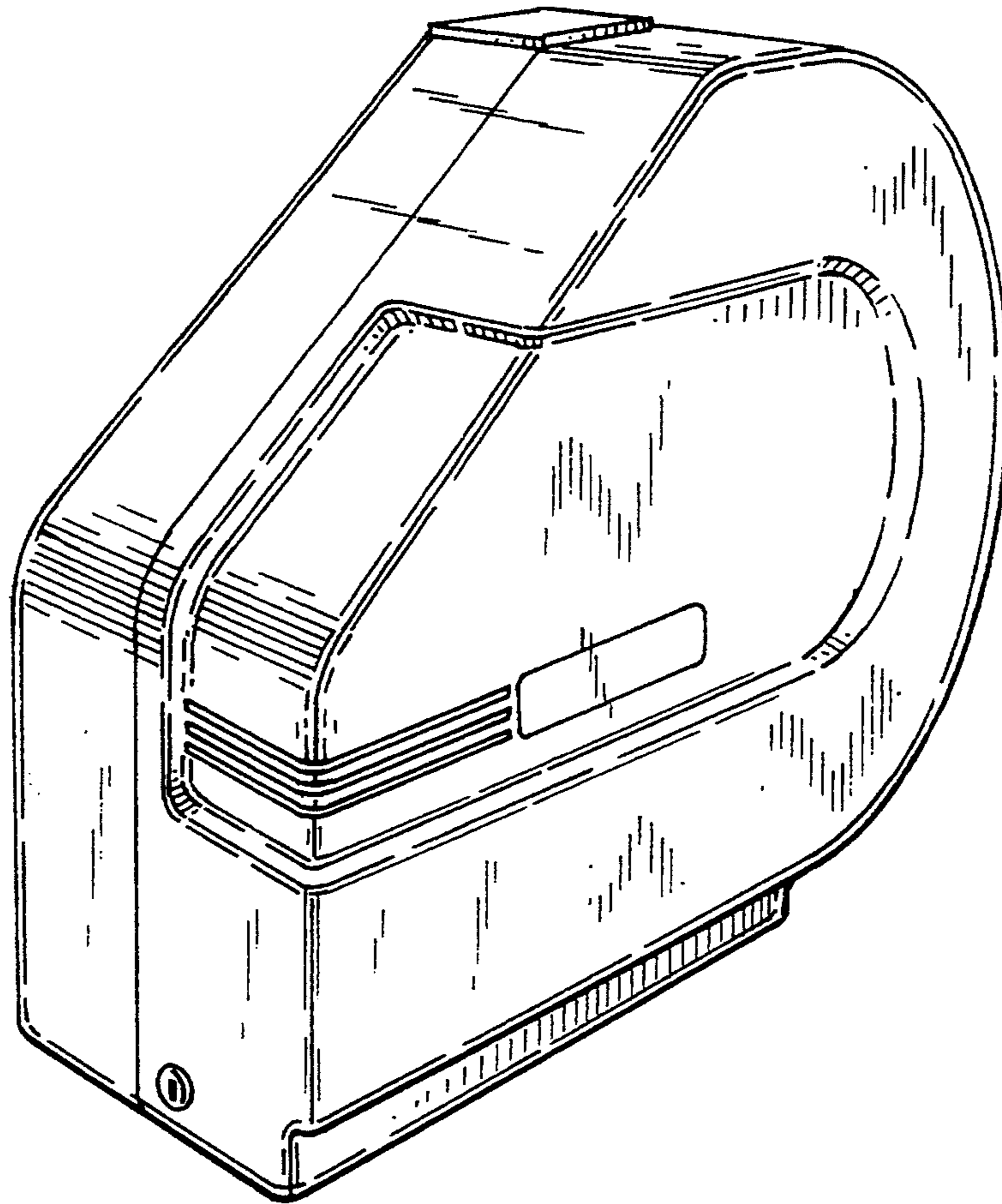
FIG. 6 is a top plan view thereof; and,

FIG. 7 is a rear plan view thereof.

[56] **References Cited**

U.S. PATENT DOCUMENTS

D. 307,845	5/1990	Omdoll et al.	D6/520
D. 312,739	12/1990	Sigmund	D6/523



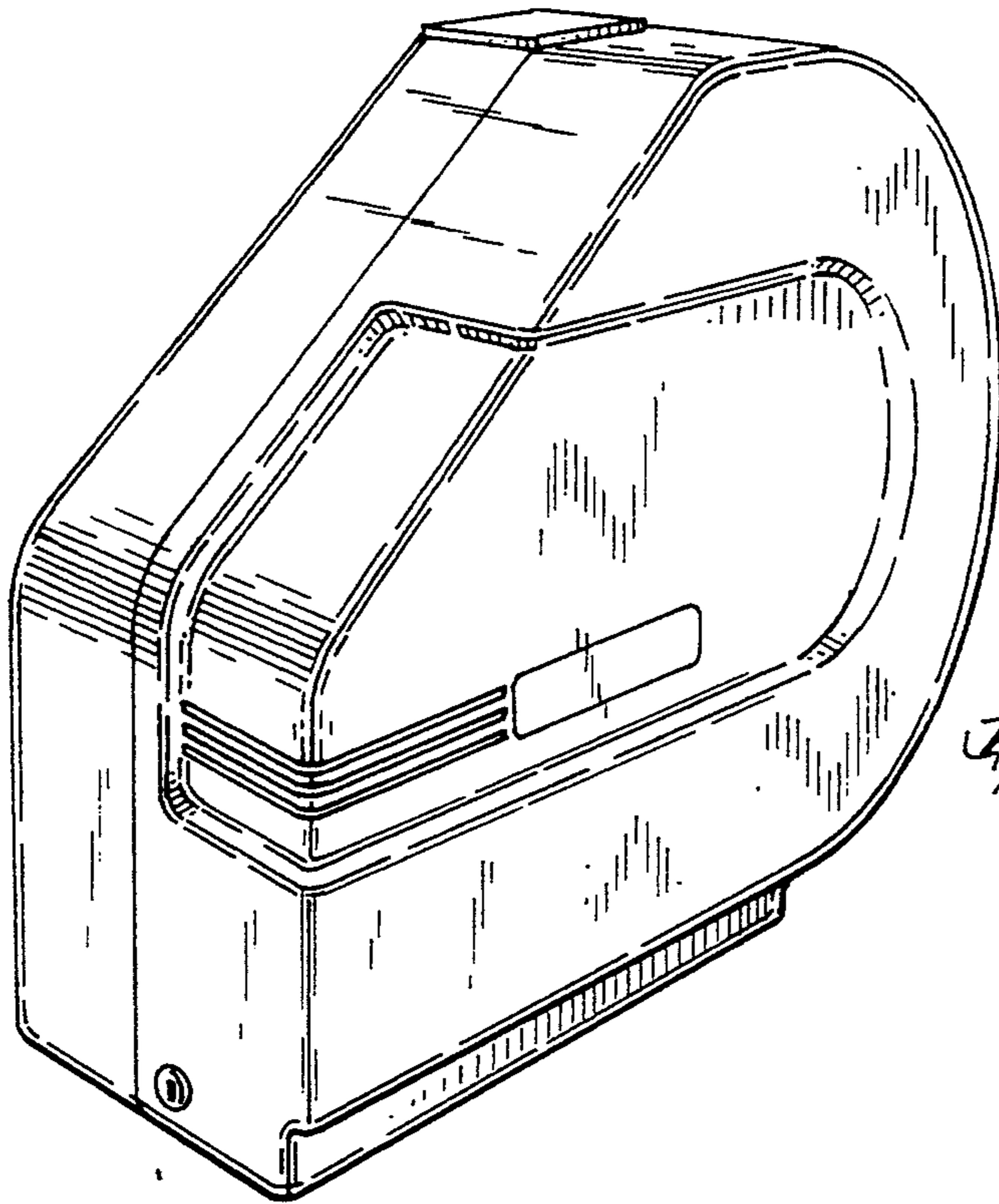


Fig. 1

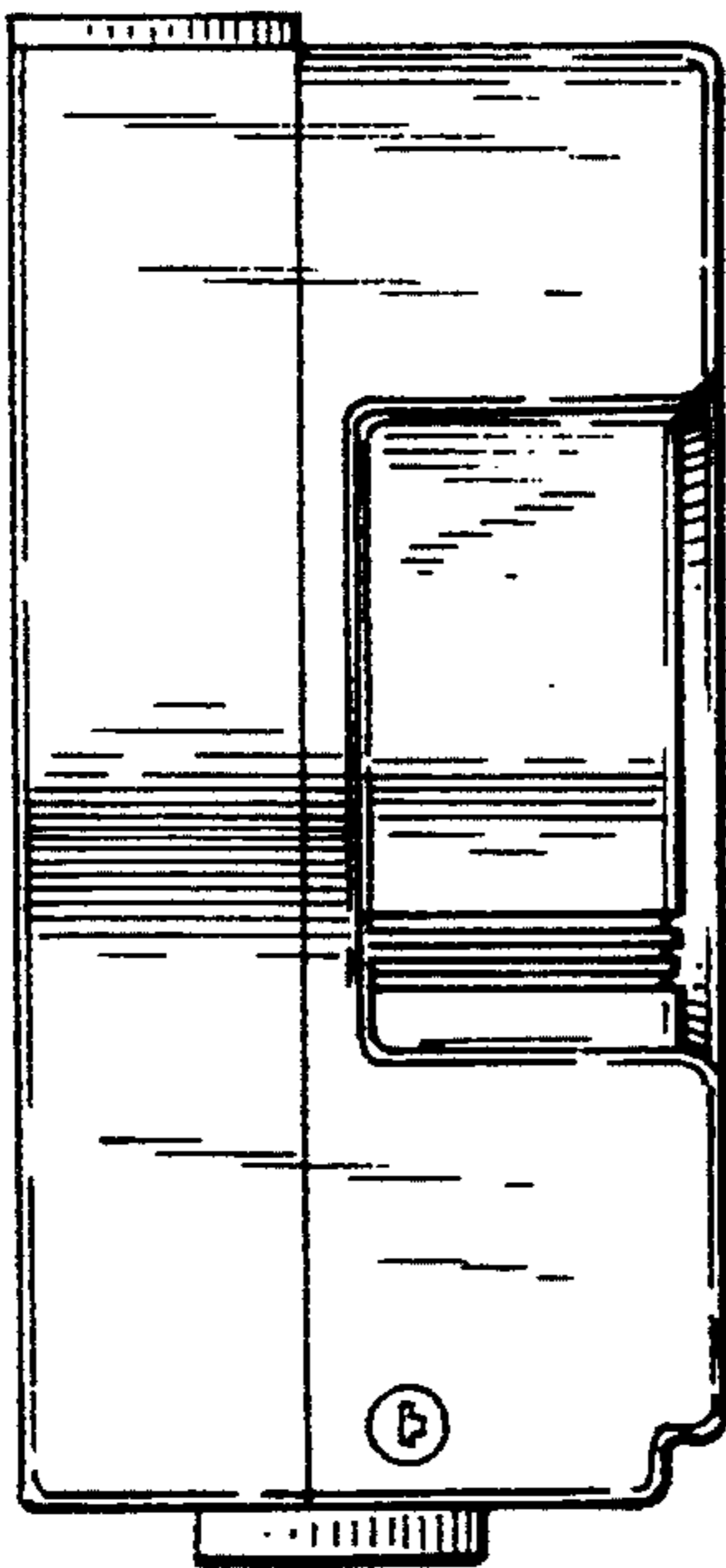


Fig. 2

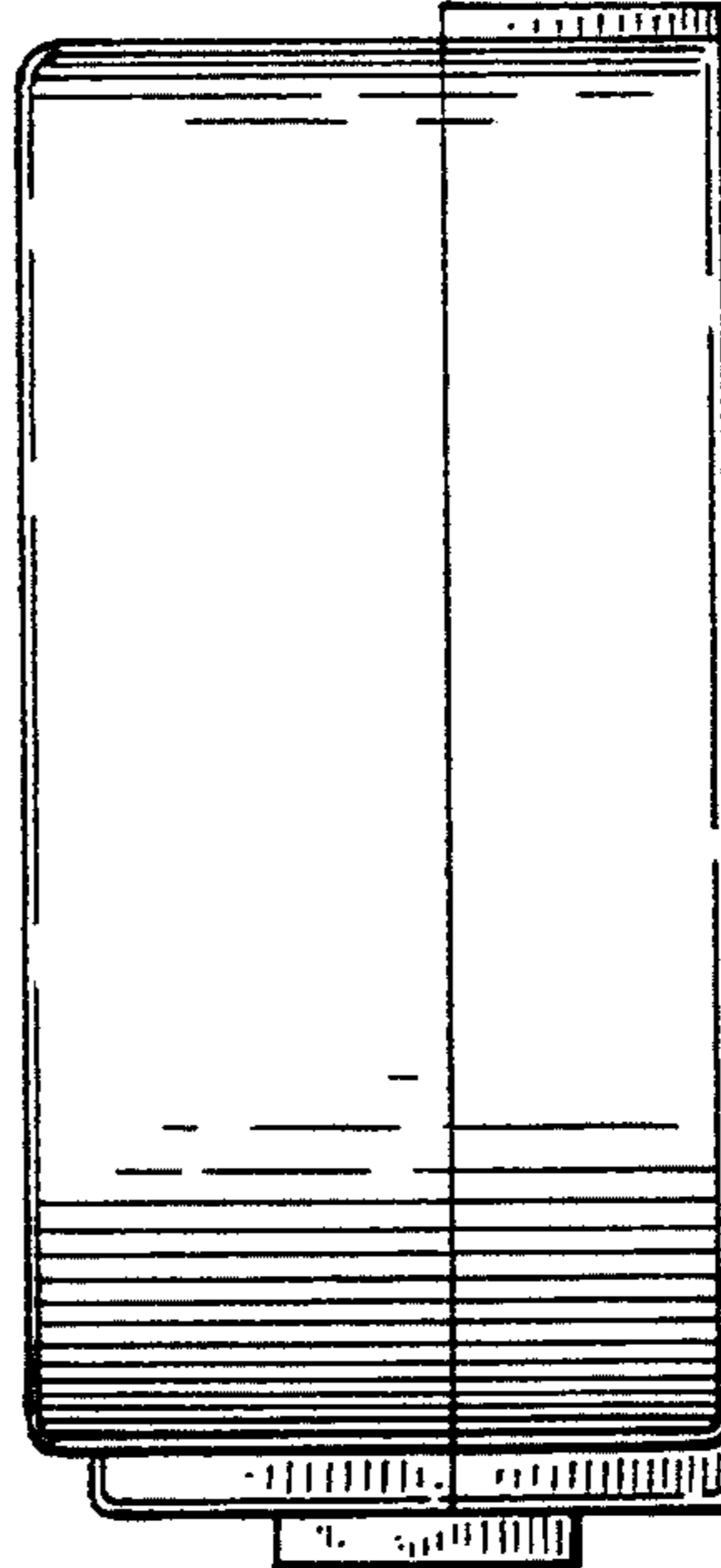


Fig. 3

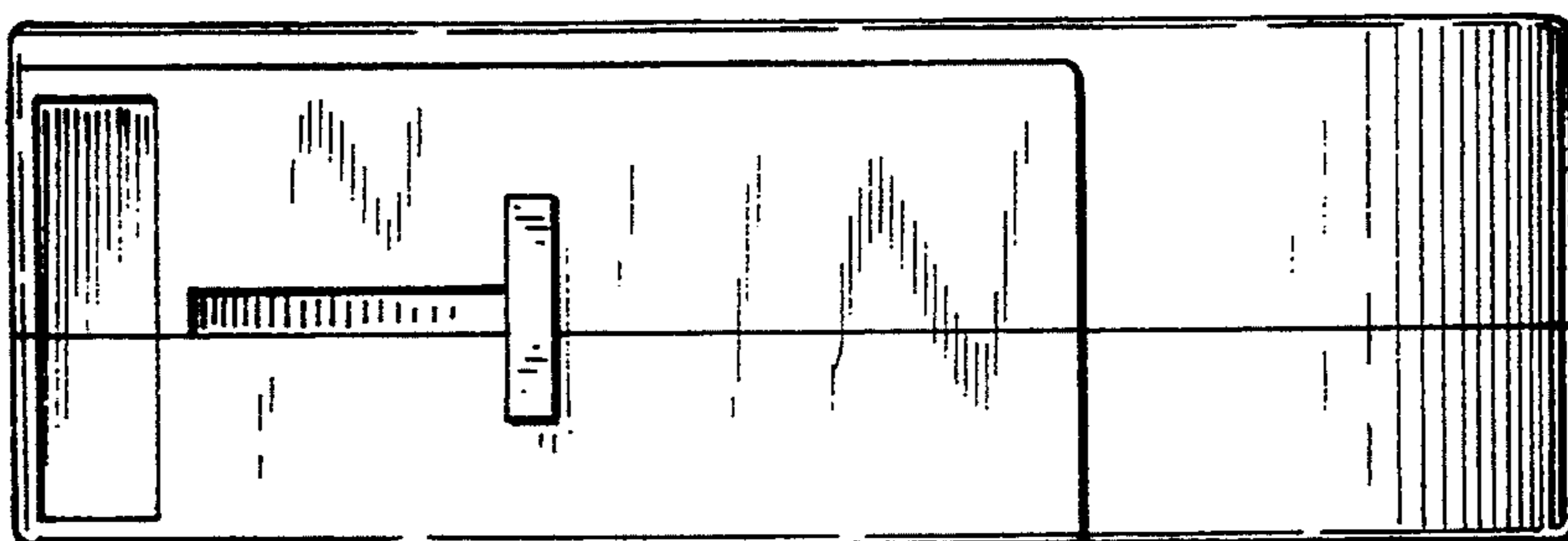


Fig. 4

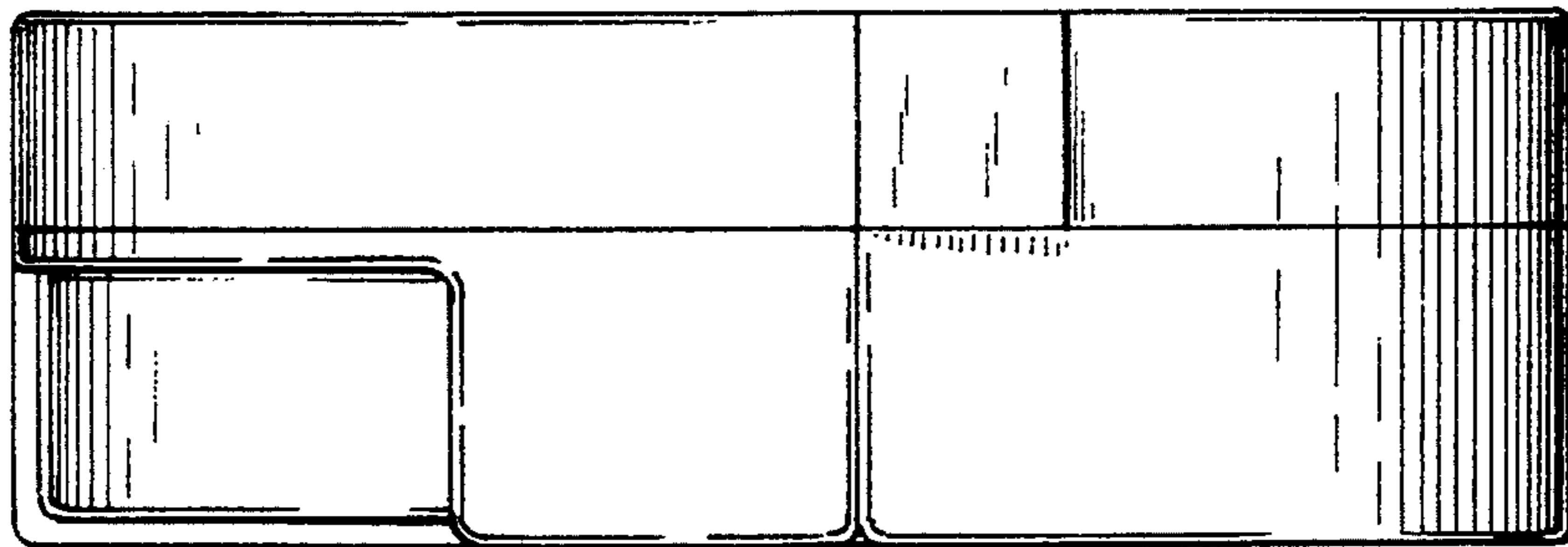
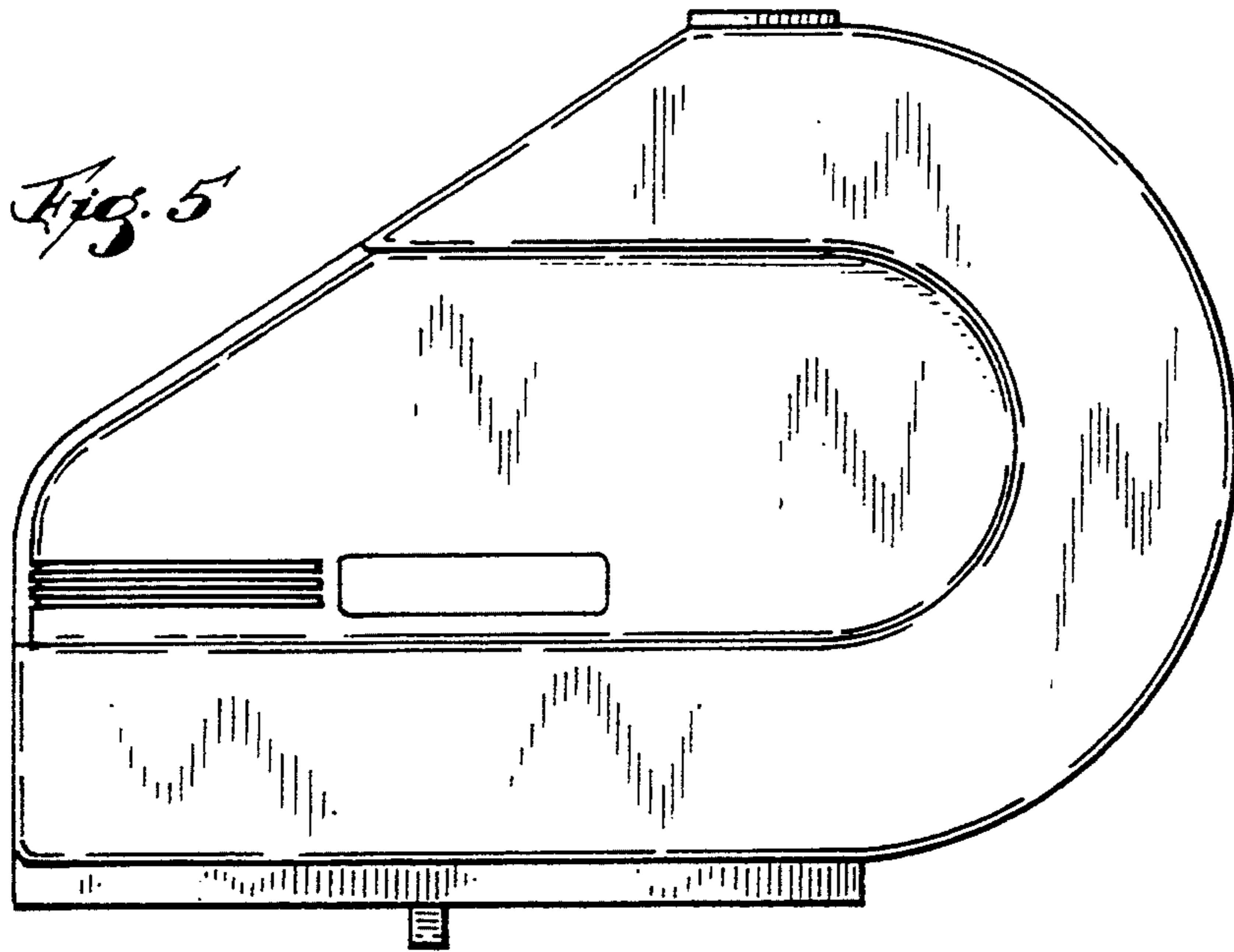


Fig. 6

