



US00D351747S

United States Patent [19]

[11] Patent Number: **Des. 351,747**

Rubin

[45] Date of Patent: **** Oct. 25, 1994**

[54] **HEXAGONAL JEWELRY DISPLAY CASE
HAVING CYLINDRICAL BASE**

D. 270,024 8/1983 Strasser D6/457
D. 322,368 12/1991 Blum D6/455
D. 340,154 10/1993 Endelman D6/457

[75] Inventor: **Robert I. Rubin, St. Louis, Mo.**

Primary Examiner—Alan P. Douglas

[73] Assignee: **The Jewelry Works, Inc., St. Louis, Mo.**

Assistant Examiner—S. Snapp

Attorney, Agent, or Firm—Jerome A. Gross

[**] Term: **14 Years**

[57] **CLAIM**

[21] Appl. No.: **847,231**

The ornamental design for a hexagonal jewelry display case having cylindrical base, as shown and described.

[22] Filed: **Mar. 9, 1992**

DESCRIPTION

[52] U.S. Cl. **D6/472**

[58] Field of Search D6/465, 466, 467, 468,
D6/469, 470, 471, 472, 407, 449, 454, 455, 457

FIG. 1 is a perspective front view of a jewelry display case embodying my new design;

FIG. 2 is a right side view thereof, shown with a portion of the cylindrical base broken away for convenience of illustration;

FIG. 3 is a top view thereof; and,

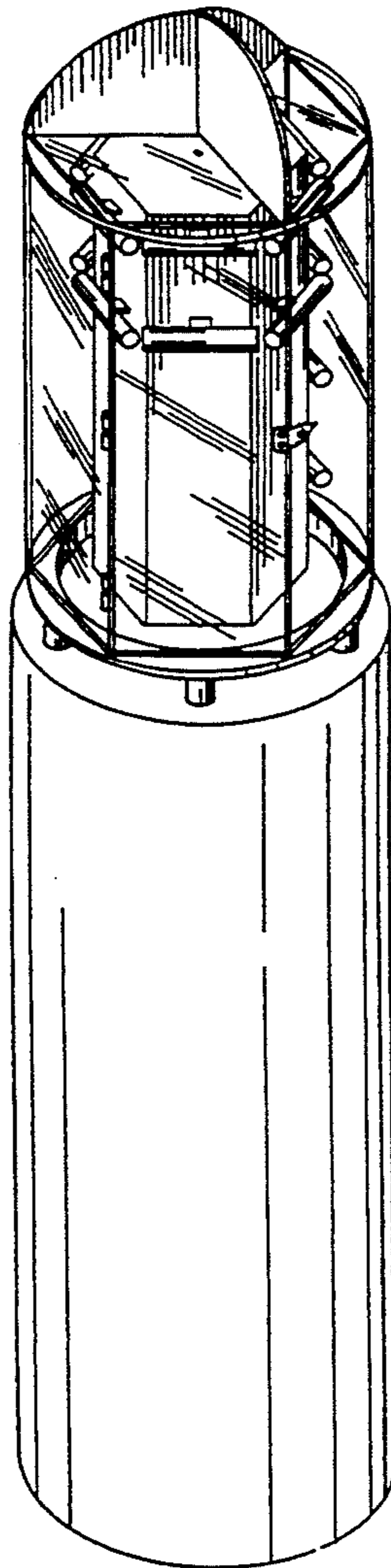
FIG. 4 is a left side elevation thereof, shown with a portion of the cylindrical base broken away for convenience of illustration.

The cylindrical base is plain and unornamented.

[56] **References Cited**

U.S. PATENT DOCUMENTS

D. 108,235	2/1938	Hennings	D6/465
D. 114,102	4/1939	Hennings	D6/465
D. 175,470	8/1955	Kahn	D6/471
D. 249,311	9/1978	Coulthurst	D6/472
D. 268,385	3/1983	Sinopoli	D6/407



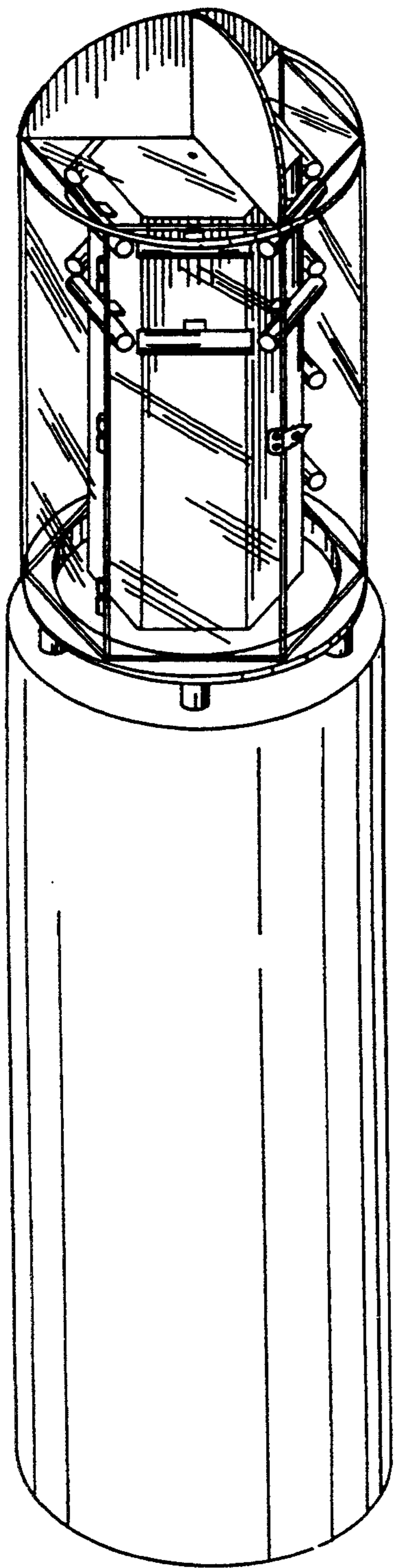


FIG. 1

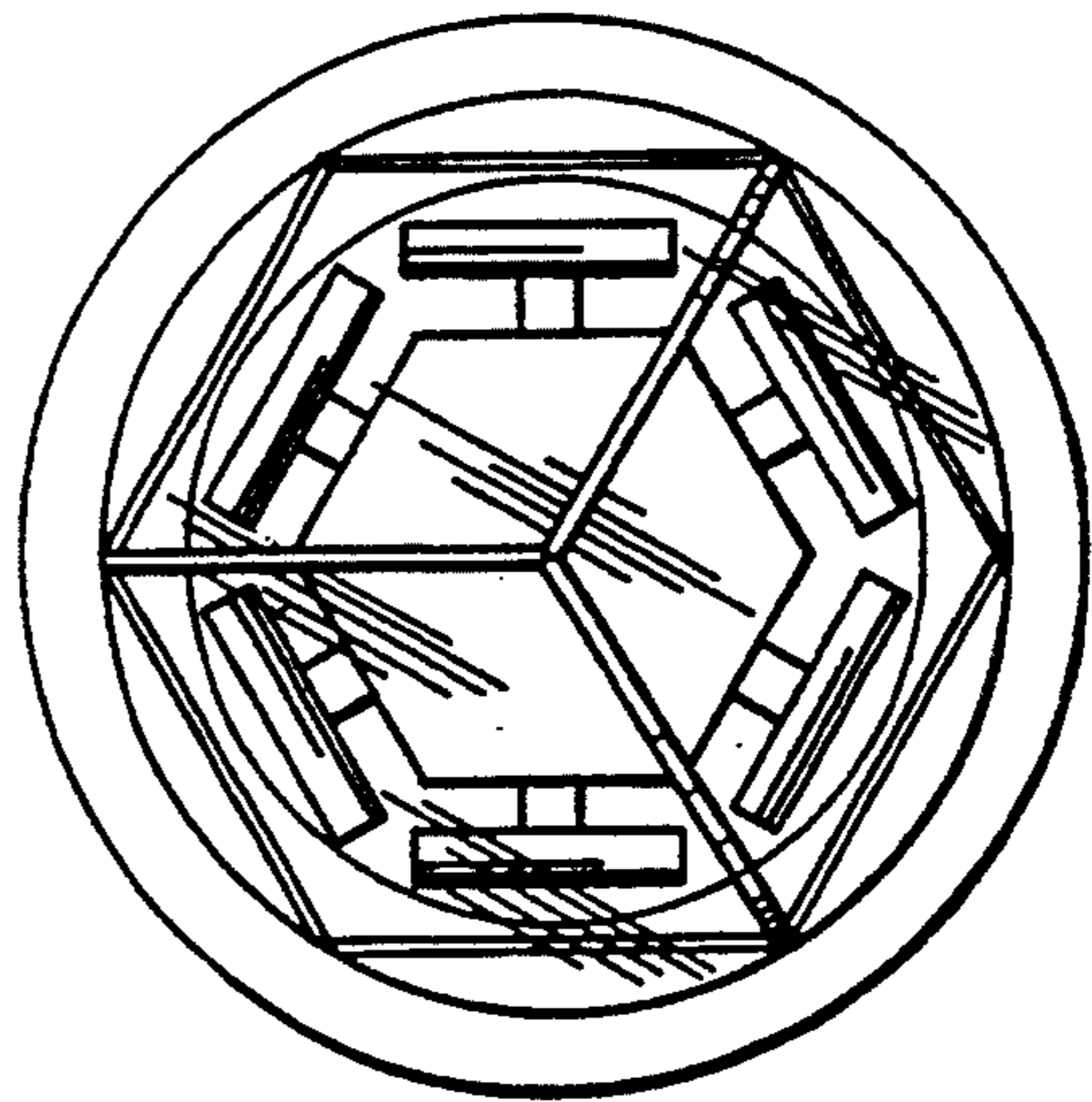


FIG. 2

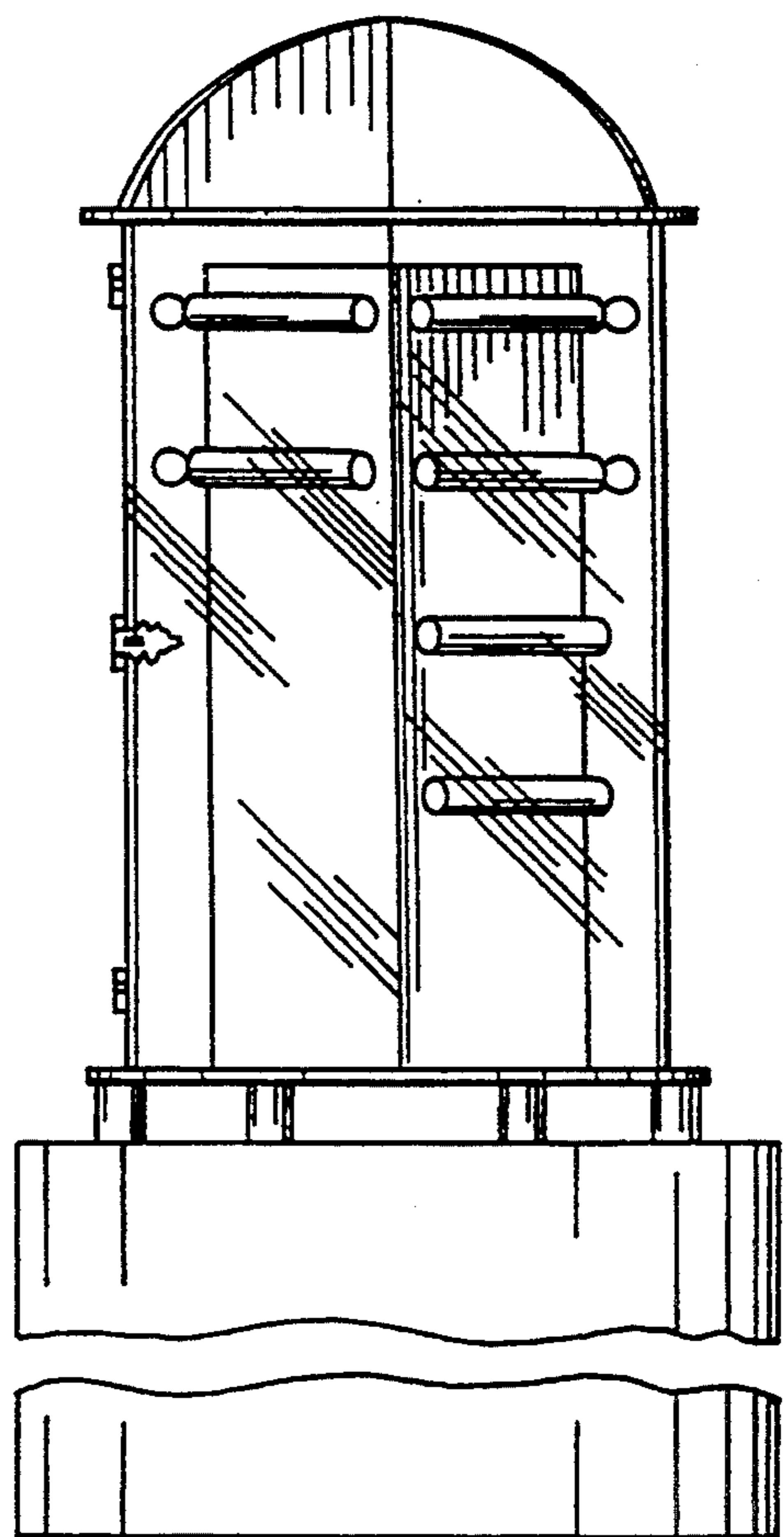


FIG. 3

FIG. 4

