



US00D351745S

United States Patent [19]

[11] Patent Number: **Des. 351,745**

Seifert

[45] Date of Patent: **** Oct. 25, 1994**

[54] **MULTI-PORT VARIABLE PEG ROTATING WIG AND CAP HOLDER**

493,248	3/1893	Conklin	211/33
1,387,765	8/1921	Colonna	211/33 X
2,094,810	10/1937	Oppenheimer	211/33
2,709,004	5/1955	Dahlstrom	211/33 X

[76] Inventor: **Verna Seifert**, 168 Bird Creek Estates Rd., Black Mountain, N.C. 28711

Primary Examiner—Alan P. Douglas
Assistant Examiner—Jeffrey Asch
Attorney, Agent, or Firm—Rhodes & Ascolillo

[**] Term: **14 Years**

[21] Appl. No.: **7,249**

[57] **CLAIM**

[22] Filed: **Apr. 20, 1993**

The ornamental design for a multi-port variable peg rotating wig and cap holder, as shown and described.

[52] U.S. Cl. **D6/415; D6/460**

[58] Field of Search **D6/411-415, D6/449, 455, 457-461, 466; 211/12, 33, 163, 30; 223/7, 24, 25, 120; D8/71; D15/140**

DESCRIPTION

[56] **References Cited**

U.S. PATENT DOCUMENTS

D. 67,680	6/1925	Ziegler	D6/415
D. 81,673	7/1930	Thomas	D6/415
D. 118,029	12/1939	Webb	D6/411
D. 153,533	4/1949	Liebner	D6/415
D. 229,267	11/1973	Brown, Jr.	D6/411
366,316	7/1887	Haynes	211/33

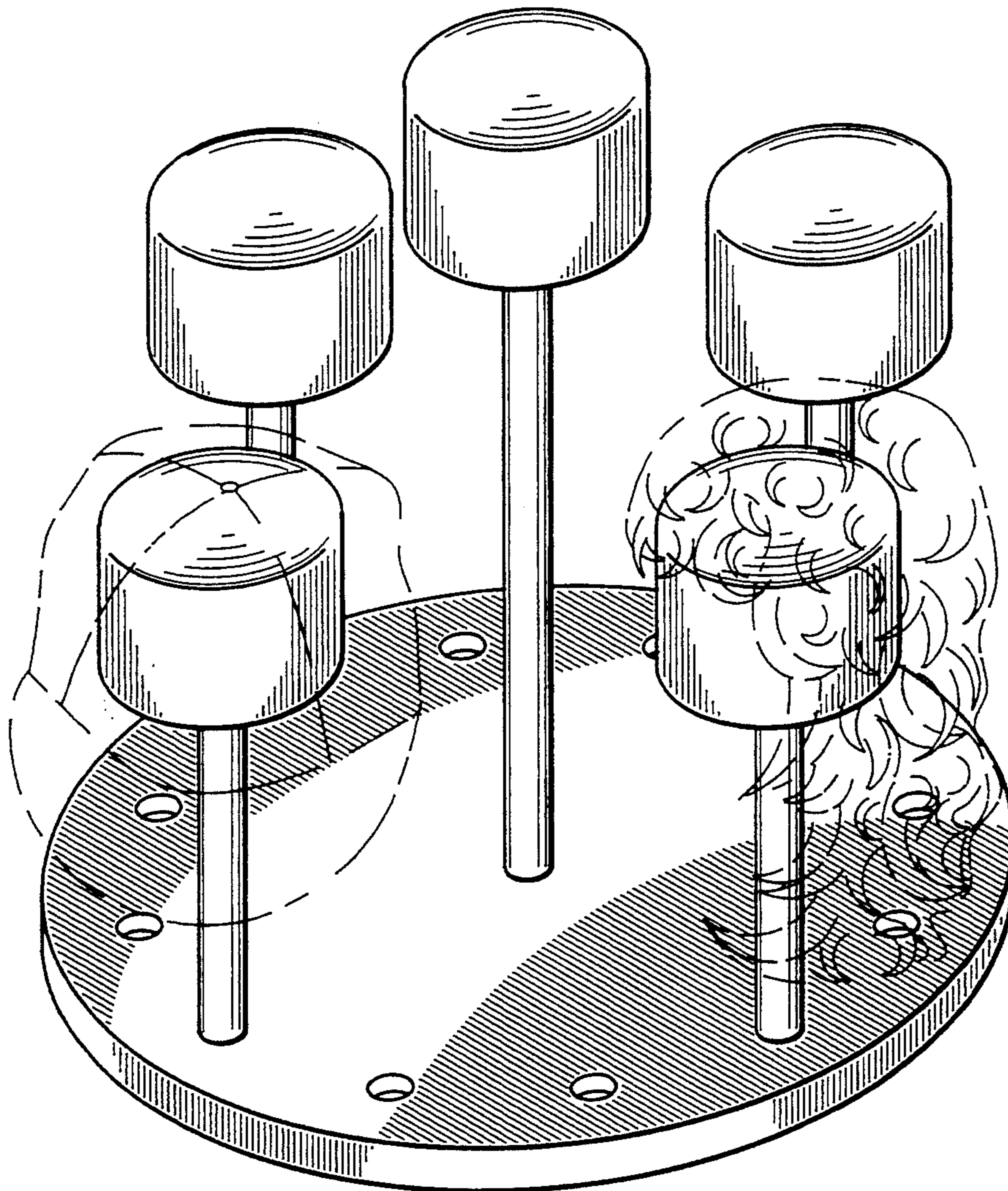
FIG. 1 is a perspective view of a multi-port variable peg rotating wig and cap holder showing my new design therefor. The broken line drawings representing a cap and a wig are for purposes of illustration only, and form no part of my design;

FIG. 2 is a top plan view;

FIG. 3 is a bottom plan view;

FIG. 4 is a left side elevational view; and,

FIG. 5 is a right side elevational view.



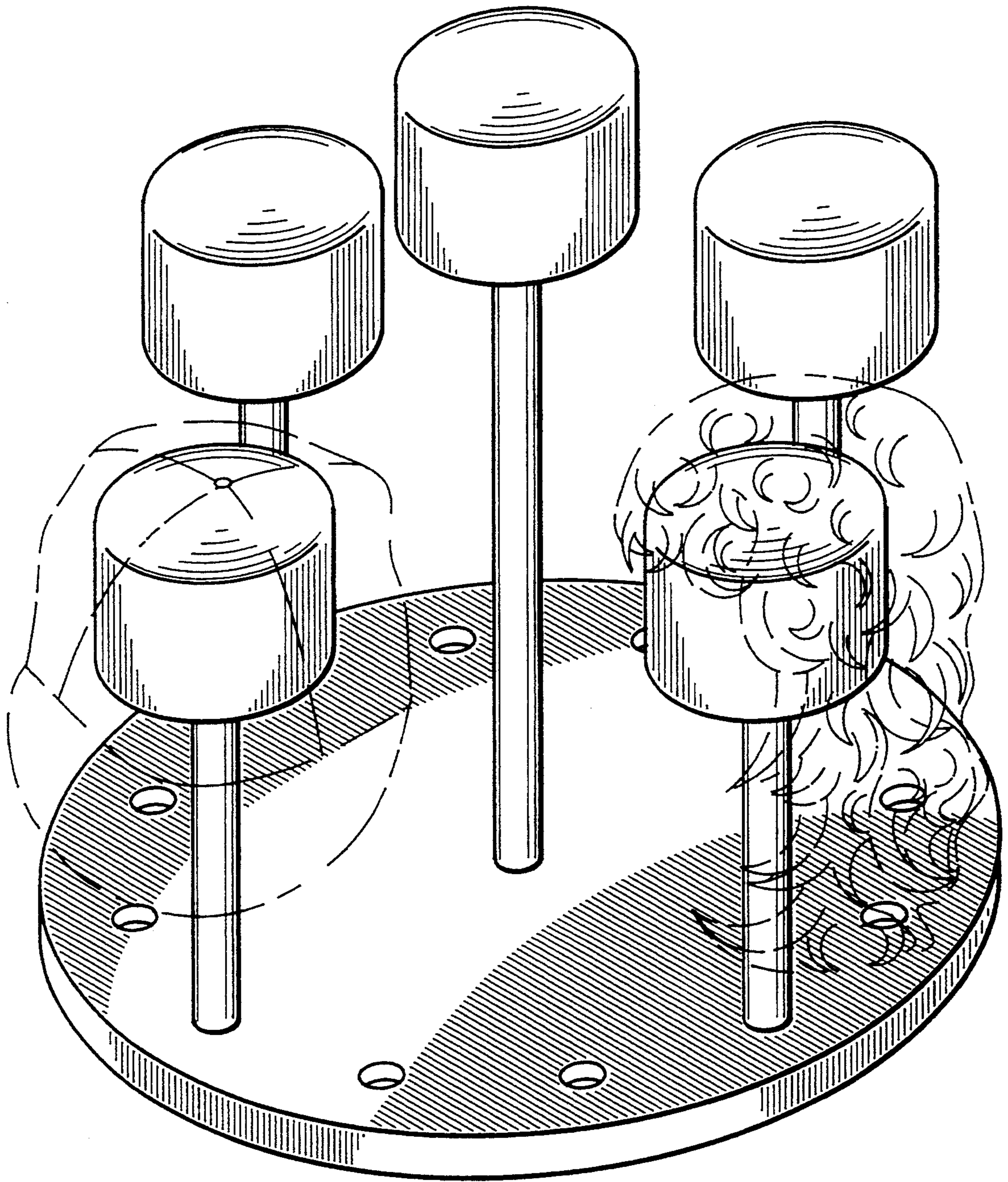


FIG. 1

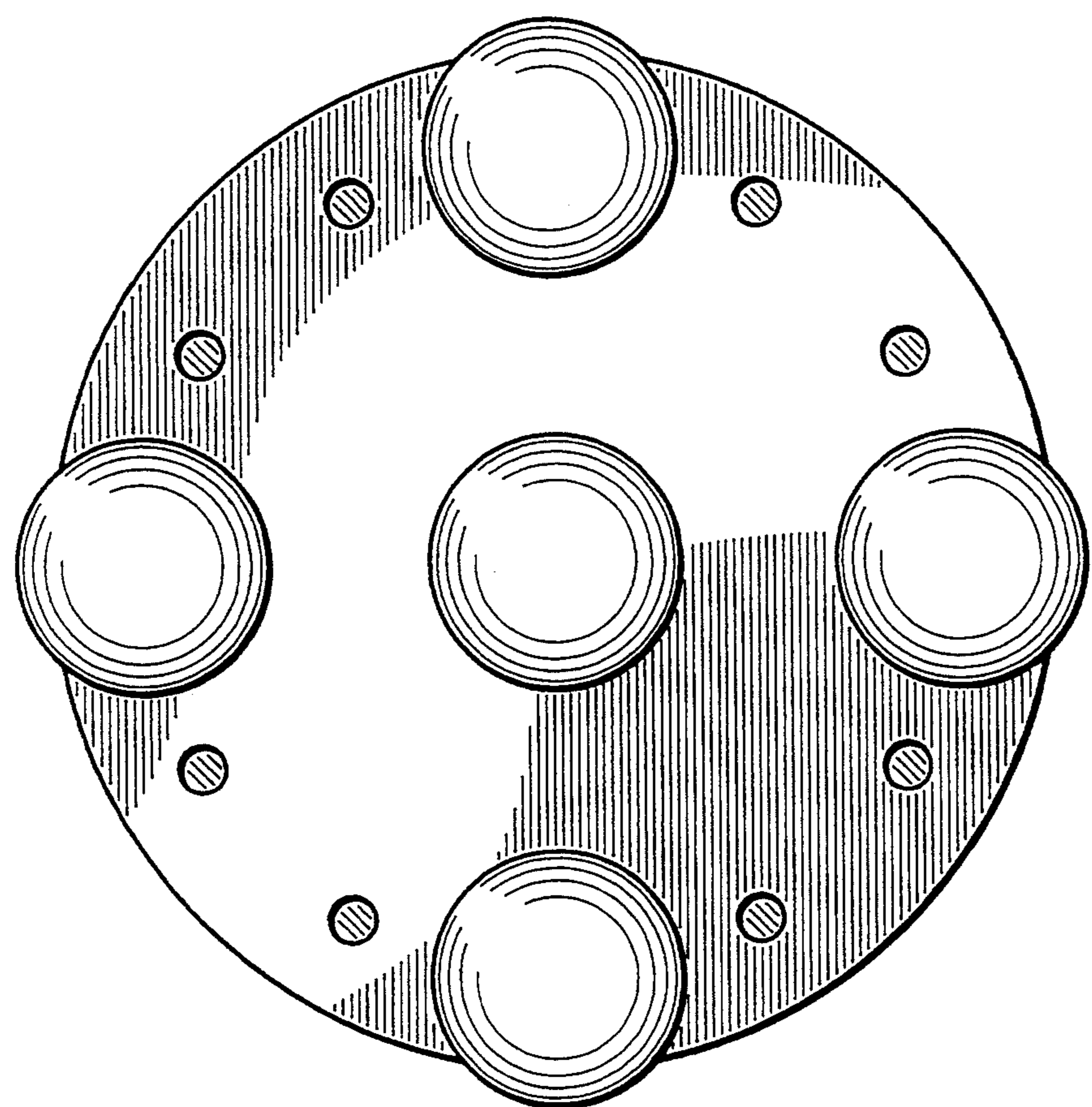


FIG. 2

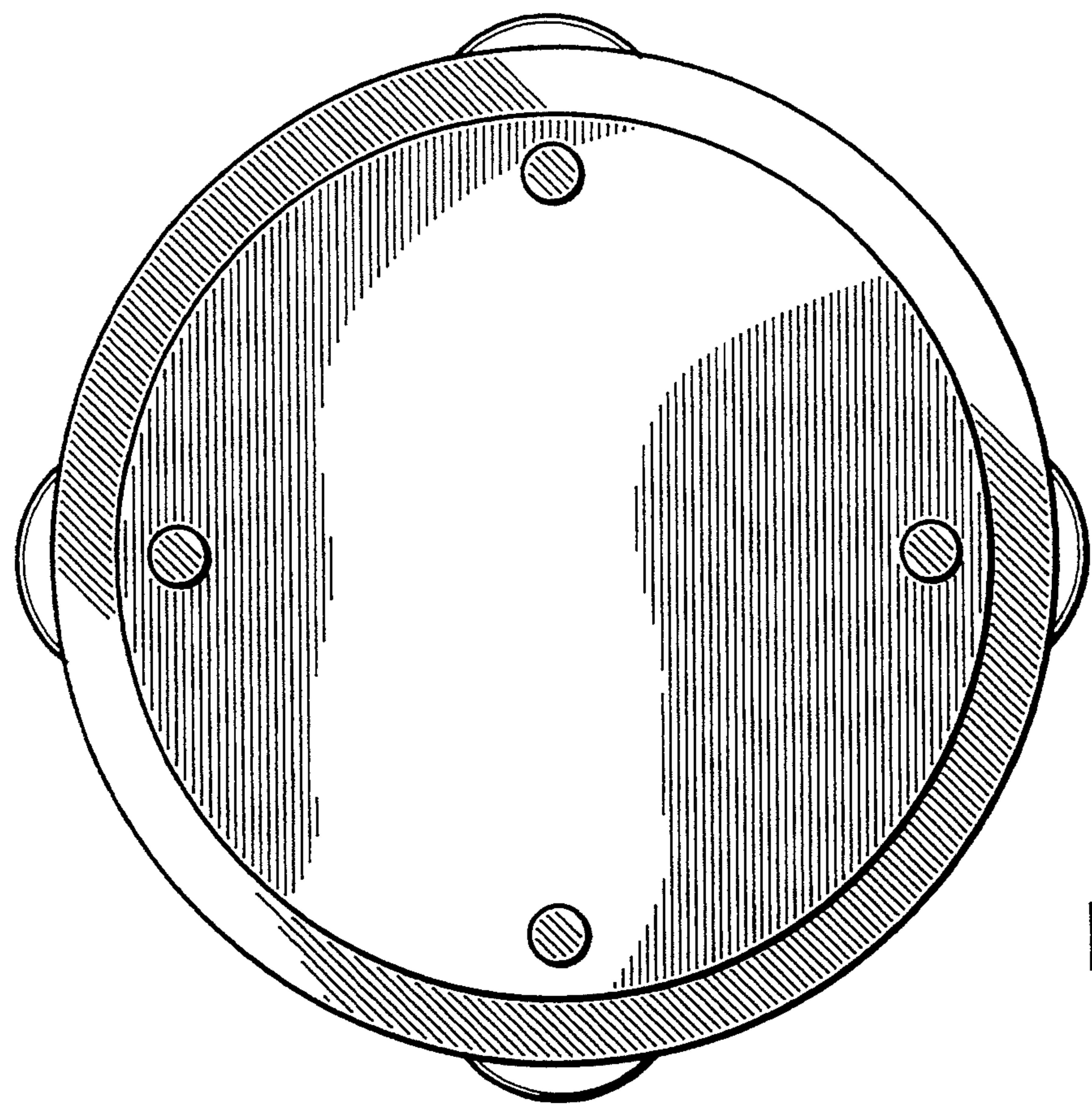


FIG. 3

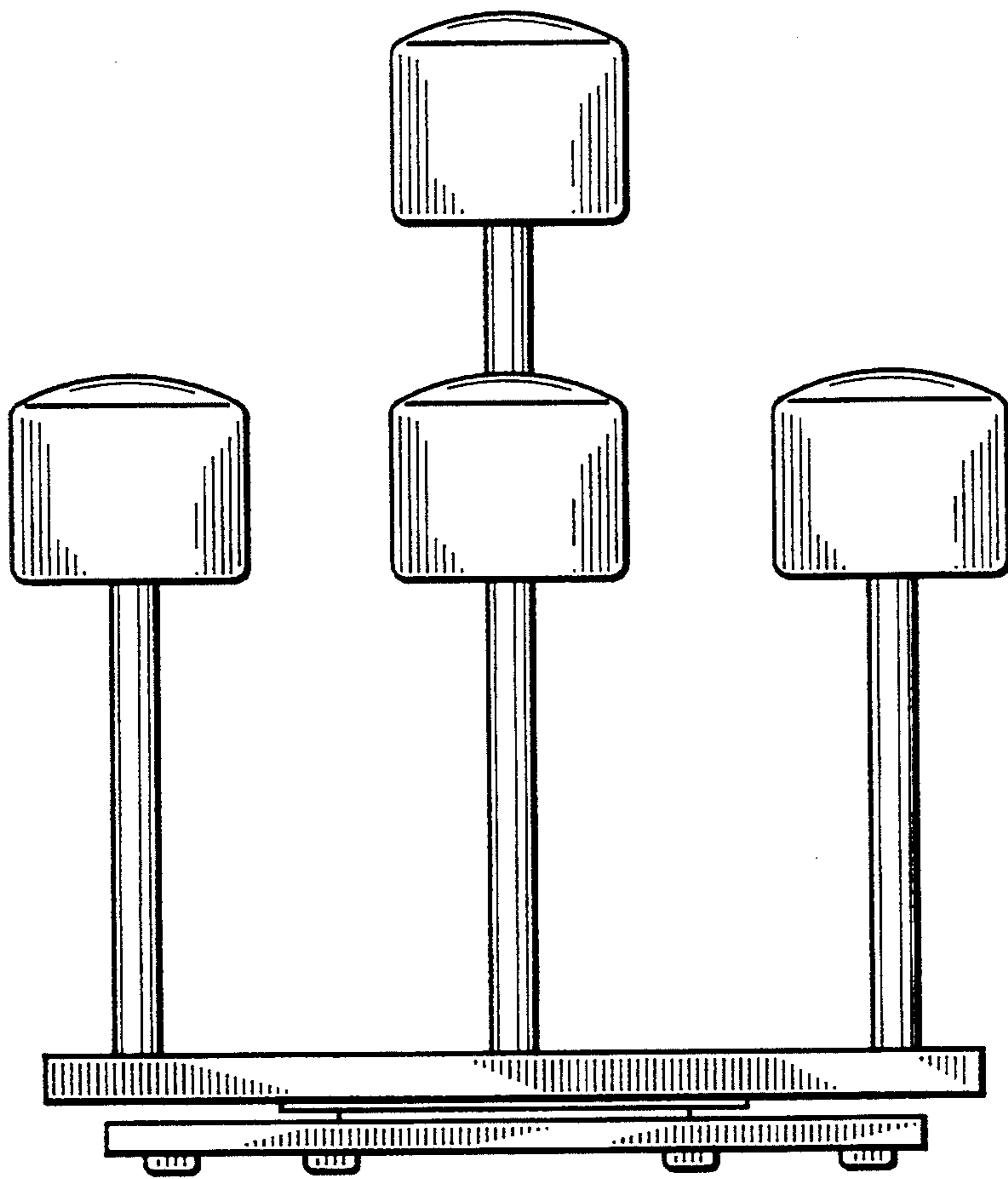


FIG. 4

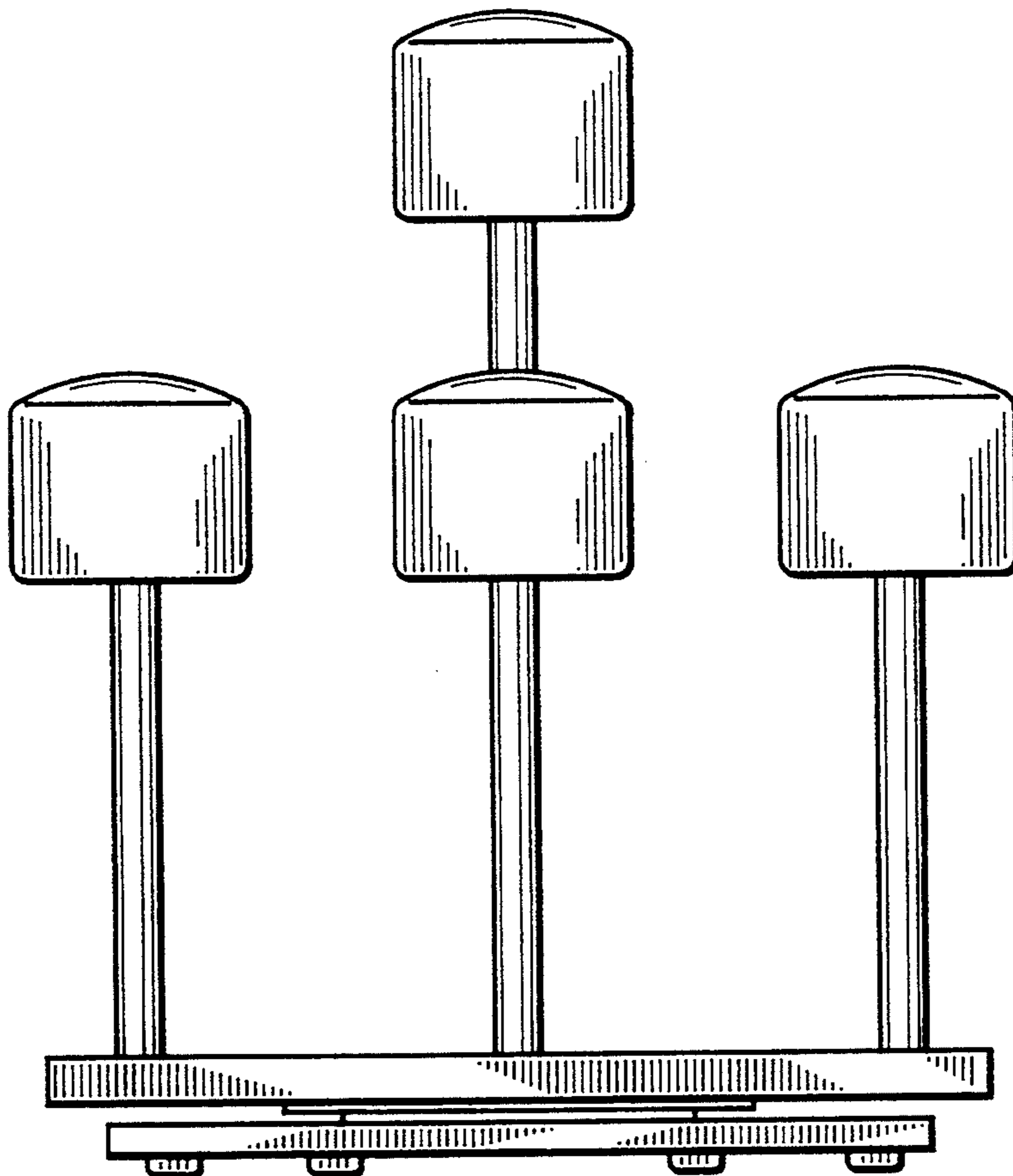


FIG. 5