



US00D351744S

United States Patent [19]

[11] Patent Number: **Des. 351,744**

Caruso et al.

[45] Date of Patent: **** Oct. 25, 1994**

[54] CHAIR

[75] Inventors: **Jerome Caruso**, 1165 W. Ash Lawn Dr., Lake Forest, Ill. 60045; **Steven Caruso**, Antioch, Ill.

[73] Assignee: **Jerome Caruso**, Lake Forest, Ill.

[**] Term: **14 Years**

[21] Appl. No.: **8,023**

[22] Filed: **May 7, 1993**

[52] U.S. Cl. **D6/373; D6/371; D6/375**

[58] Field of Search **D6/334, 371, 372, 373, D6/374, 375, 500, 501, 502; 297/445, 452.15**

[56] **References Cited**

U.S. PATENT DOCUMENTS

- D. 174,927 6/1955 Shannon D6/375
- D. 224,191 7/1972 Strässle D6/372
- D. 226,414 3/1973 Dukes D6/371

- D. 289,120 4/1987 Chadwick et al. D6/502
- D. 295,347 4/1988 Chadwick et al. D6/372
- D. 299,192 1/1989 Chadwick et al. D6/380
- D. 333,044 2/1993 Caruso D6/373
- 3,695,693 10/1972 Acton et al. D6/371 X

Primary Examiner—Nelson C. Holtje
Assistant Examiner—Gary D. Watson
Attorney, Agent, or Firm—William Brinks Hofer Gilson & Lione

[57] CLAIM

The ornamental design for a chair, as shown.

DESCRIPTION

FIG. 1 is a perspective view of a preferred embodiment of a chair;
FIG. 2 is a front view of the chair;
FIG. 3 is a side view of the chair;
FIG. 4 is a rear view of the chair;
FIG. 5 is a top view of the chair; and,
FIG. 6 is a bottom view of the chair.

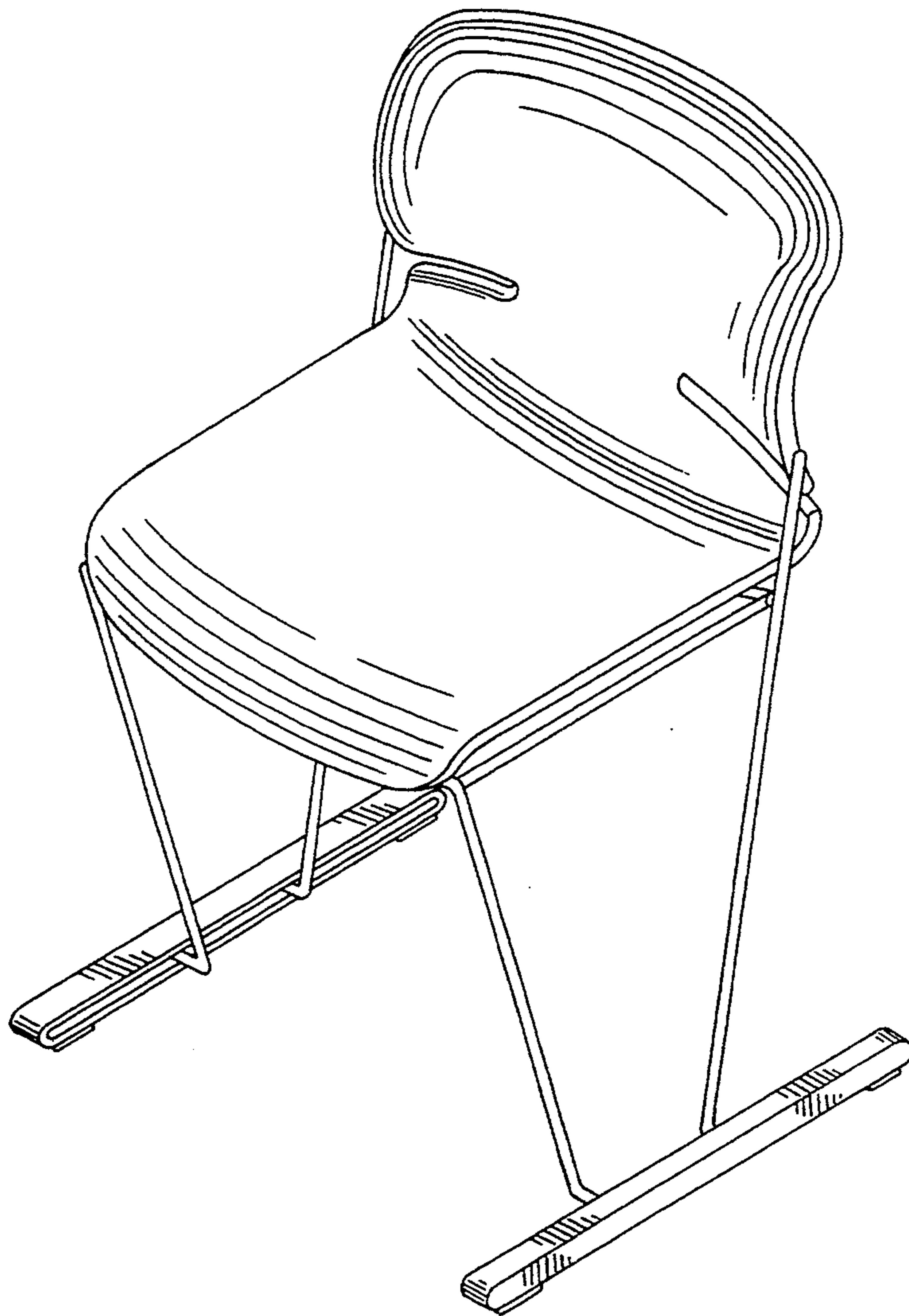


FIG. 2

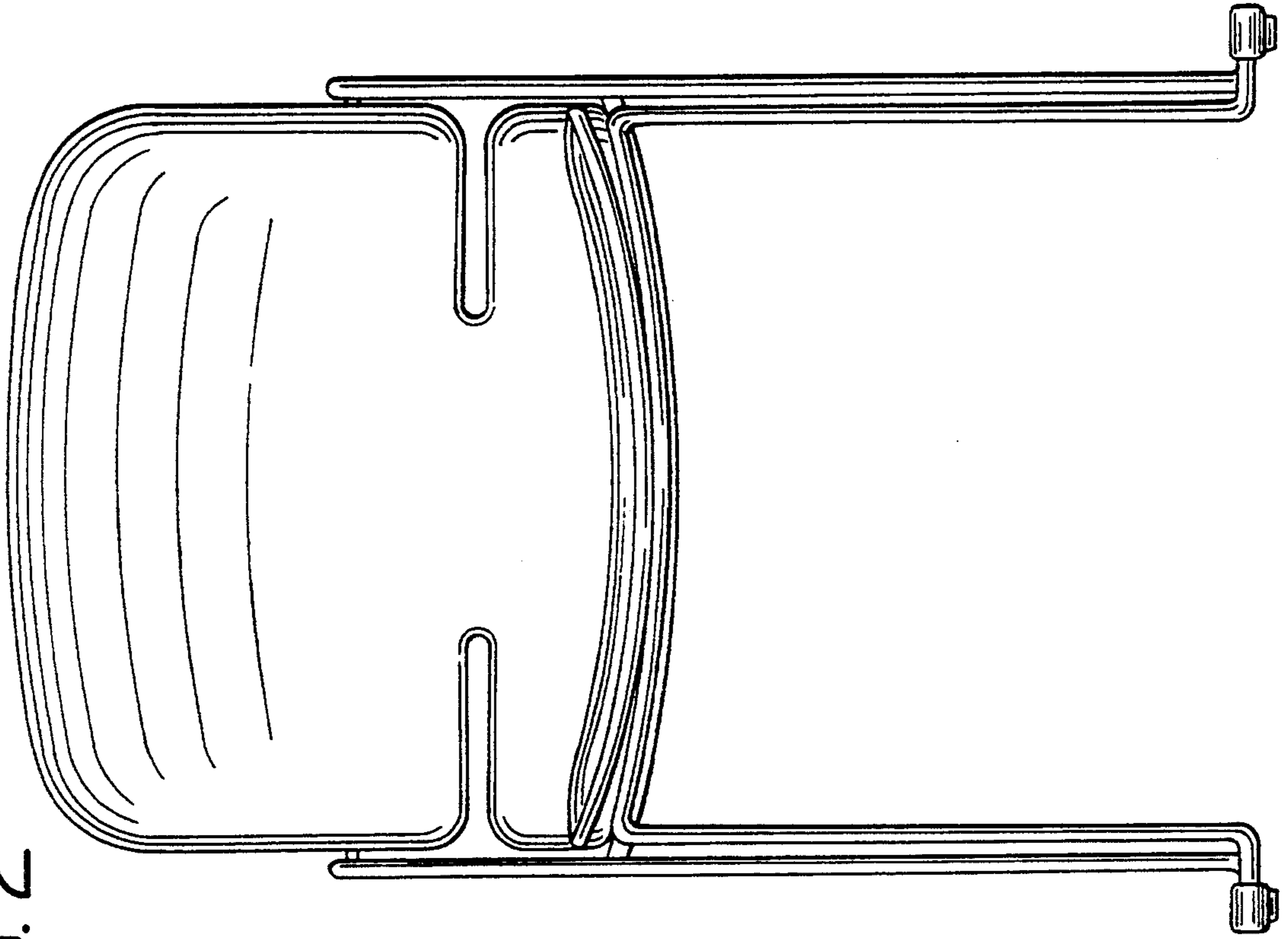


FIG. 1

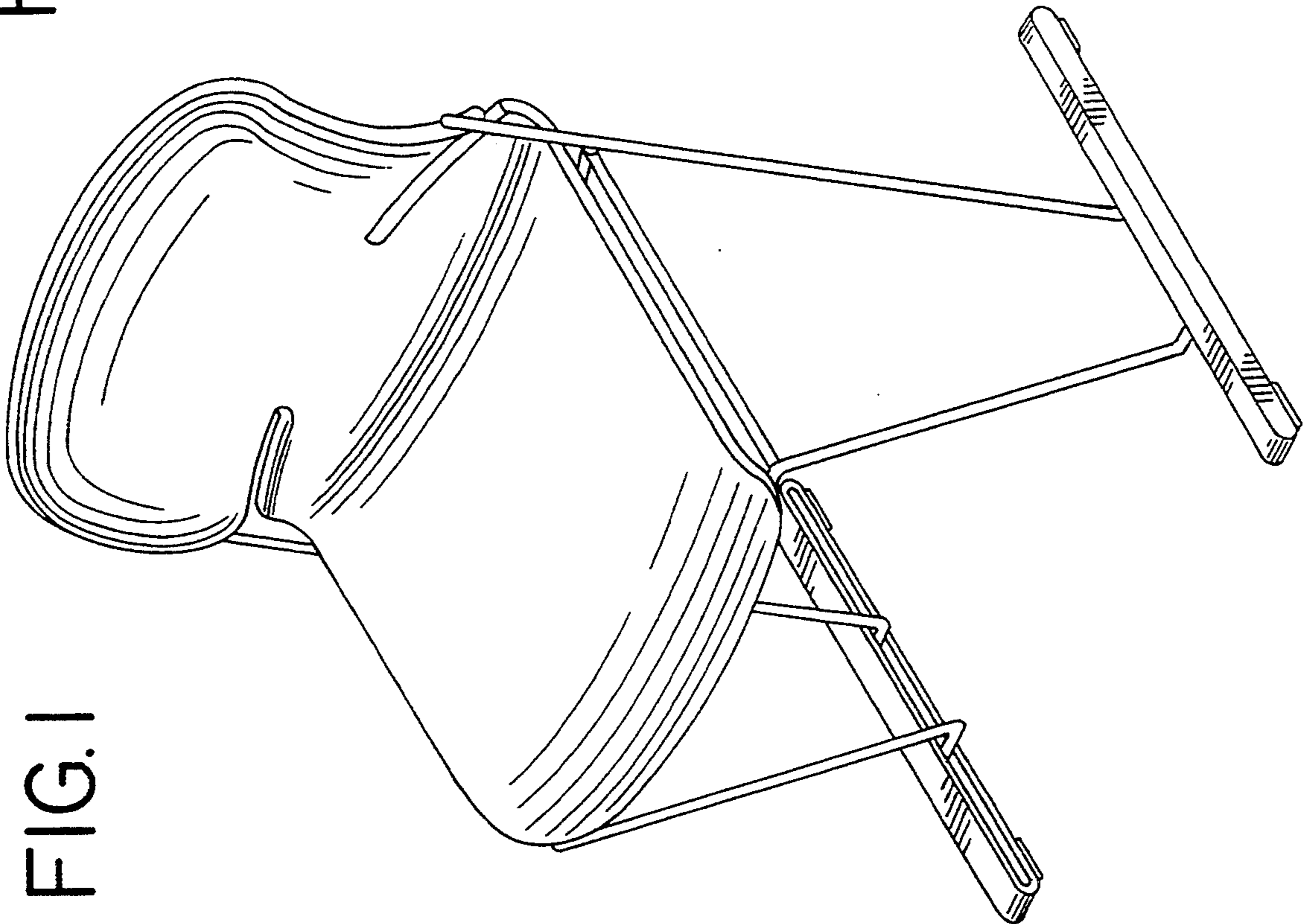


FIG.4

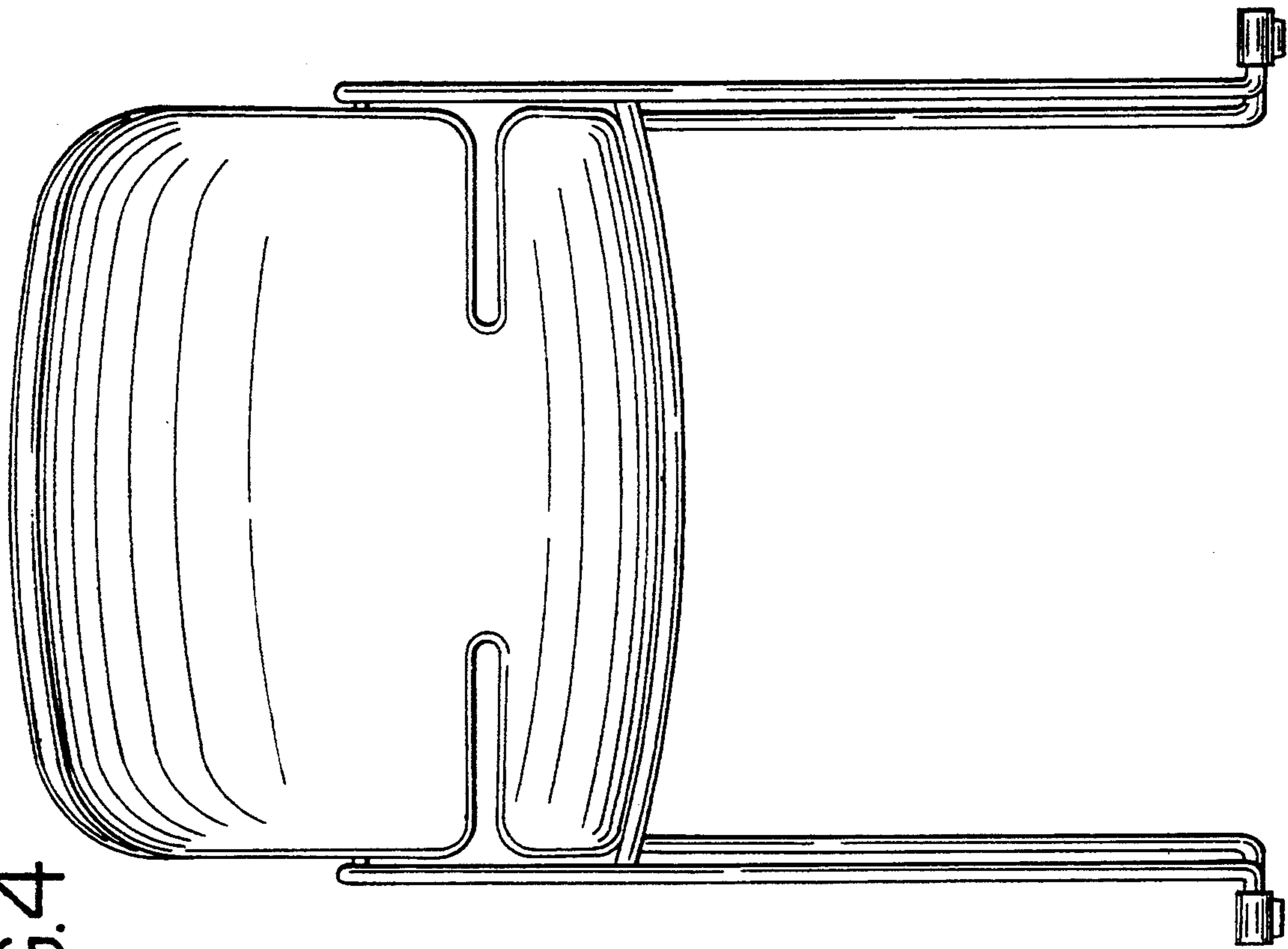


FIG.3

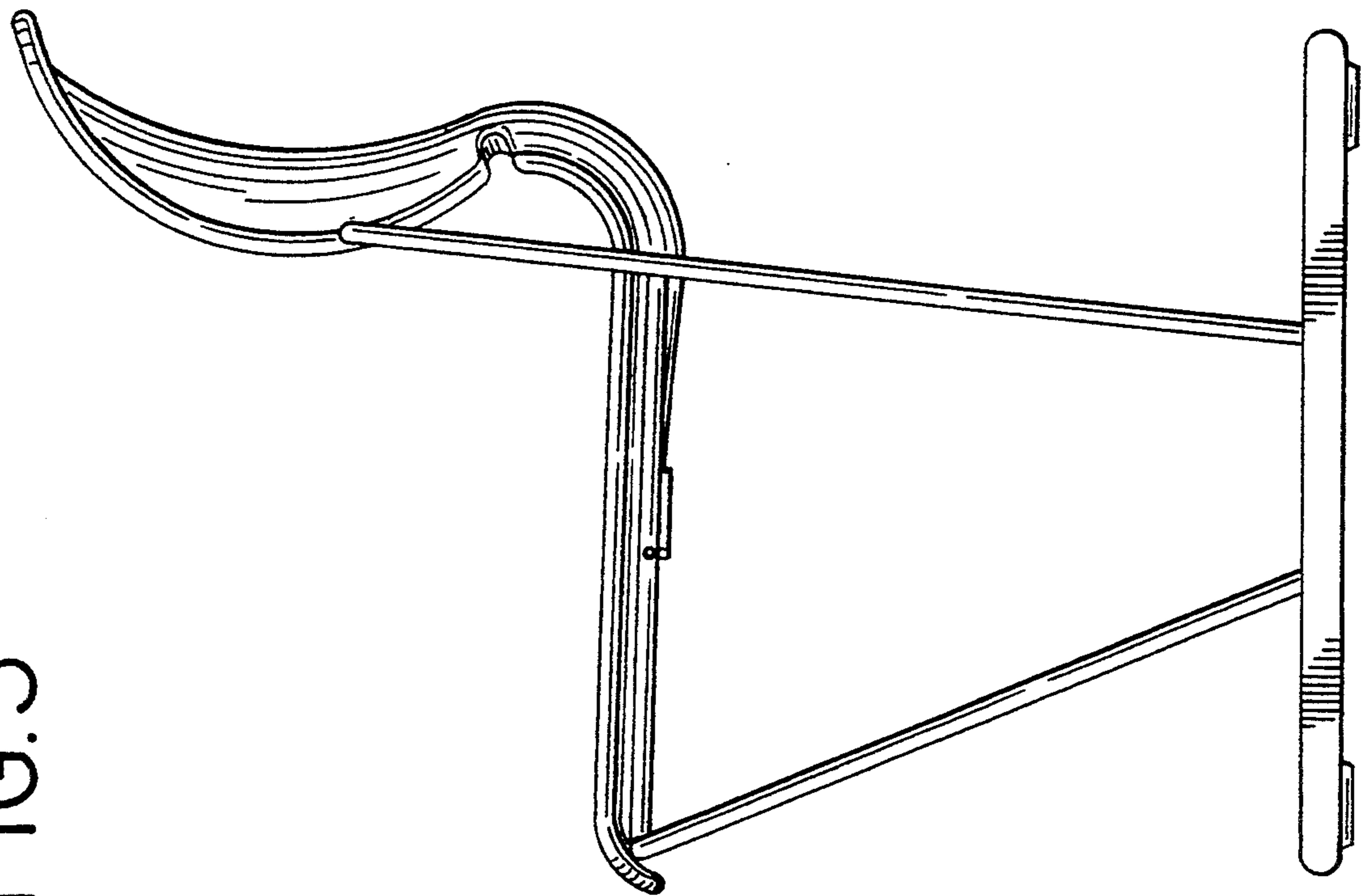


FIG. 5

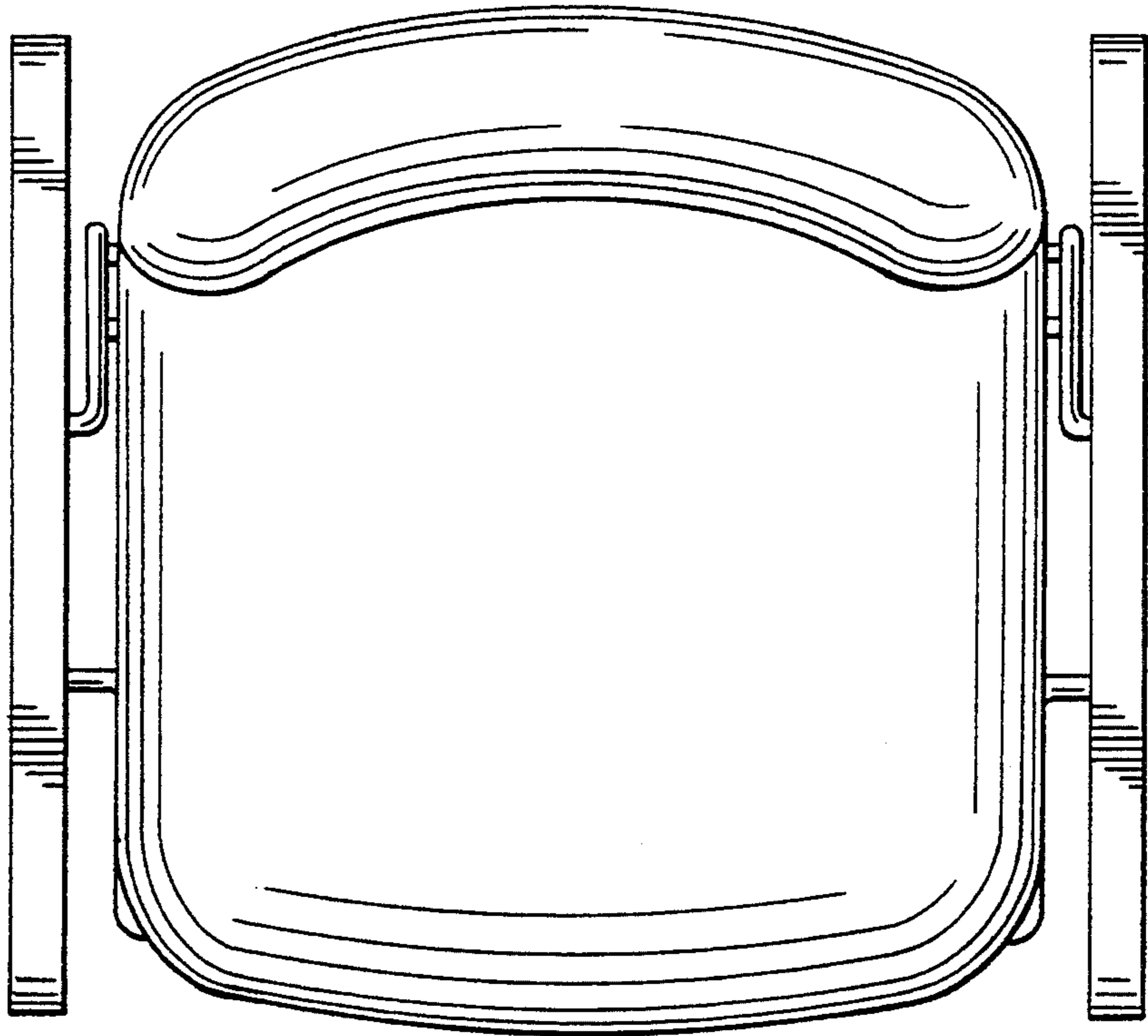


FIG. 6

