



US00D351742S

# United States Patent [19]

[11] Patent Number: **Des. 351,742**

Phleps et al.

[45] Date of Patent: **\*\* Oct. 25, 1994**

[54] **DENTAL PATIENT CHAIR**

D. 333,736 3/1993 Nordstrom ..... D6/367  
3,729,227 4/1973 Ohta ..... D6/361 X

[75] Inventors: **Tilman Phleps, Lorsch; Klaus Stoeckl, Bensheim, both of Fed. Rep. of Germany**

**FOREIGN PATENT DOCUMENTS**

657012 7/1985 Japan .

[73] Assignee: **Siemens Aktiengesellschaft, Munich, Fed. Rep. of Germany**

*Primary Examiner*—Alan P. Douglas  
*Assistant Examiner*—Gary D. Watson  
*Attorney, Agent, or Firm*—Hill, Steadman & Simpson

[\*\*] Term: **14 Years**

[21] Appl. No.: **7,256**

[57] **CLAIM**

[22] Filed: **Apr. 20, 1993**

The ornamental design for a dental patient chair, as shown and described.

[30] **Foreign Application Priority Data**

**DESCRIPTION**

Nov. 4, 1992 [WO] World Int. Prop. O. .... DM/001937

[52] U.S. Cl. .... **D6/367; D6/361; D24/183**

FIG. 1 is a perspective view taken from the left rear of the dental patient chair in accordance with the present invention;

[58] Field of Search ..... D6/334, 360, 361, 367, D6/375, 500, 501, 502; 297/344.15, 344.17; D24/183

FIG. 2 is a left-side elevational view of the dental chair in accordance with the present invention, with the right-side elevational view being a mirror image;

[56] **References Cited**

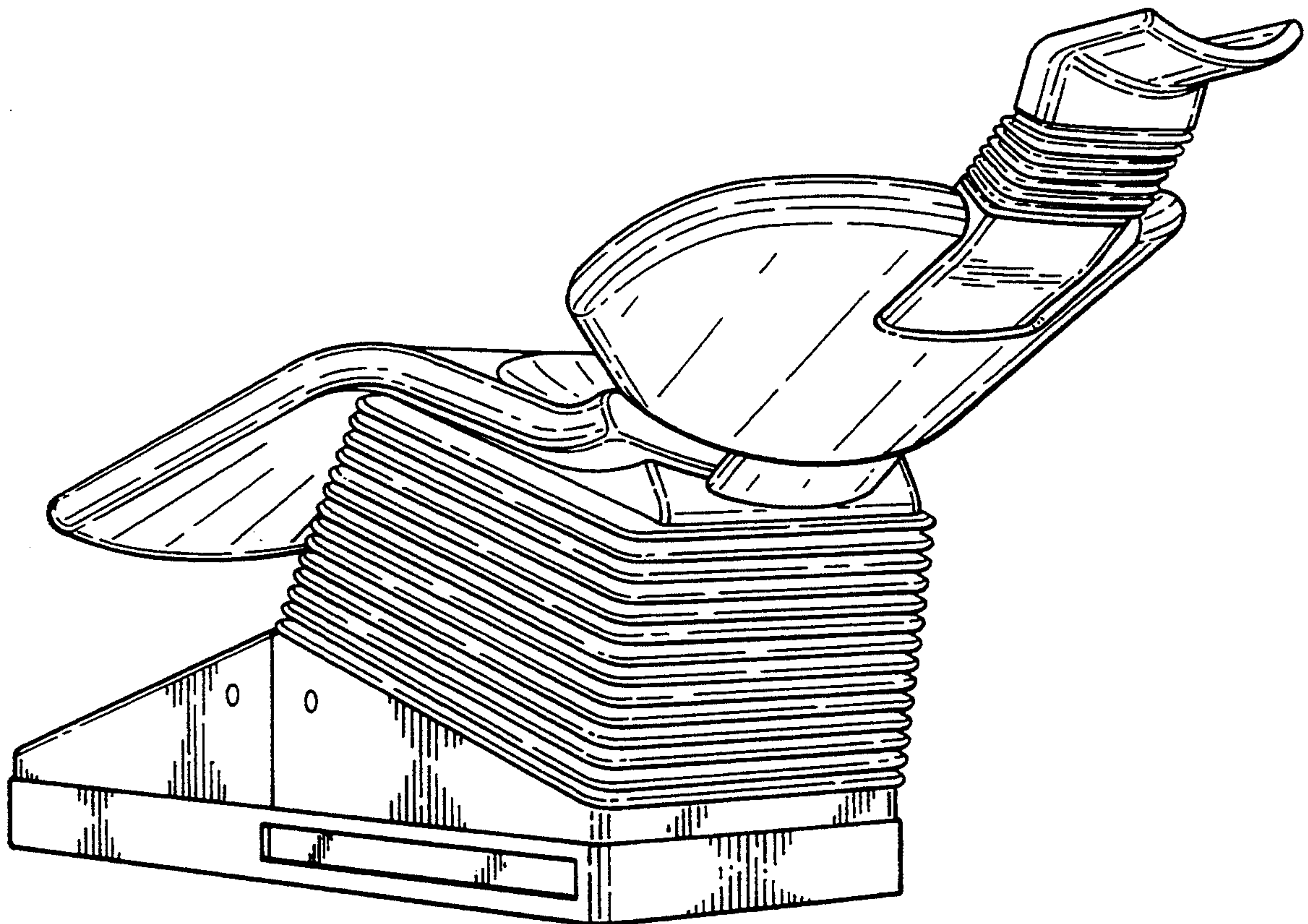
**U.S. PATENT DOCUMENTS**

D. 238,019 12/1975 Leffler et al. .  
D. 268,149 3/1983 Case ..... D6/361

FIG. 3 is a rear elevational view of the dental chair taken from a right side of FIG. 2;

FIG. 4 is a front elevational view of the dental chair of FIG. 1; and,

FIG. 5 is a top plan view of the dental chair of FIG. 1.



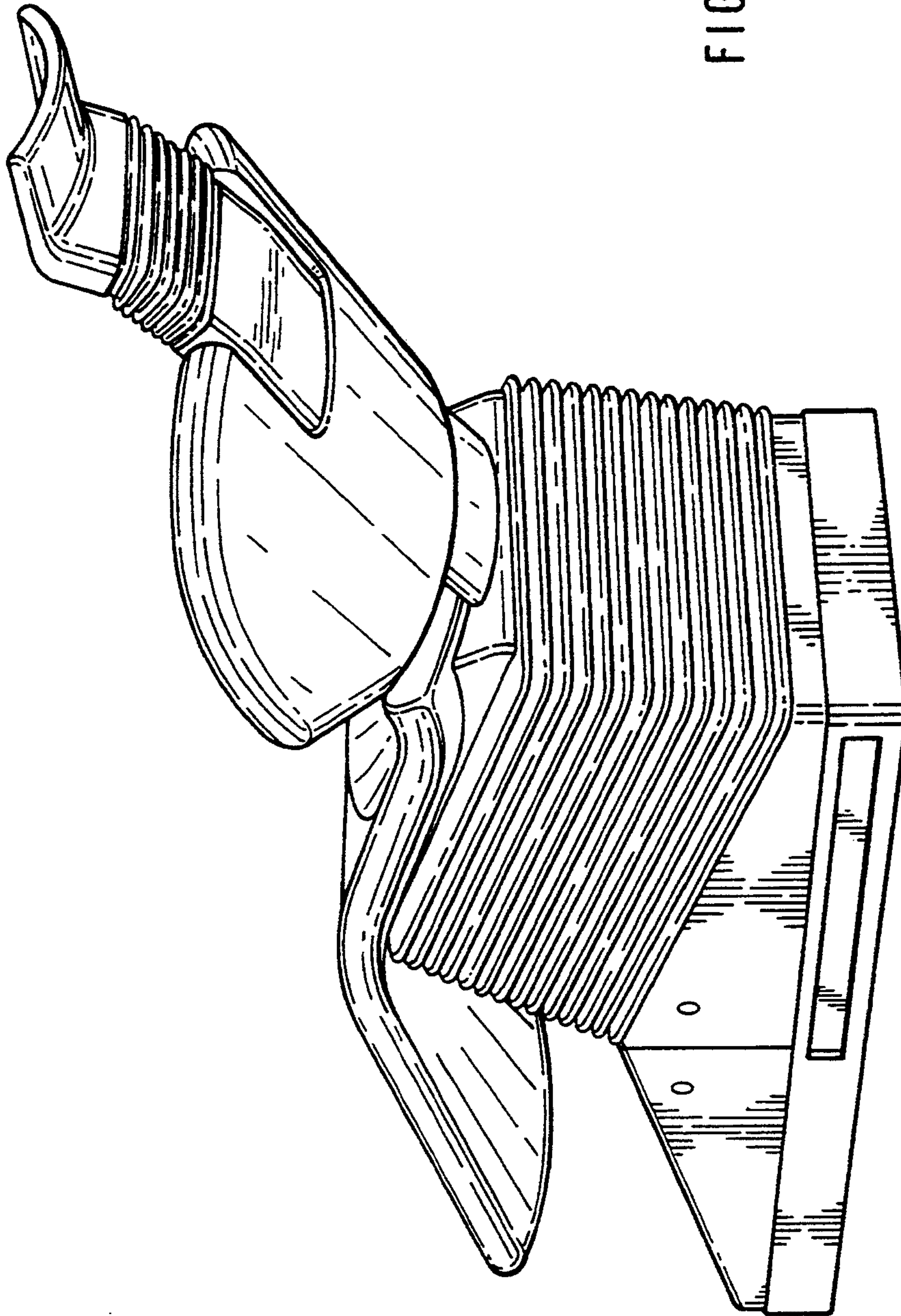


FIG 1

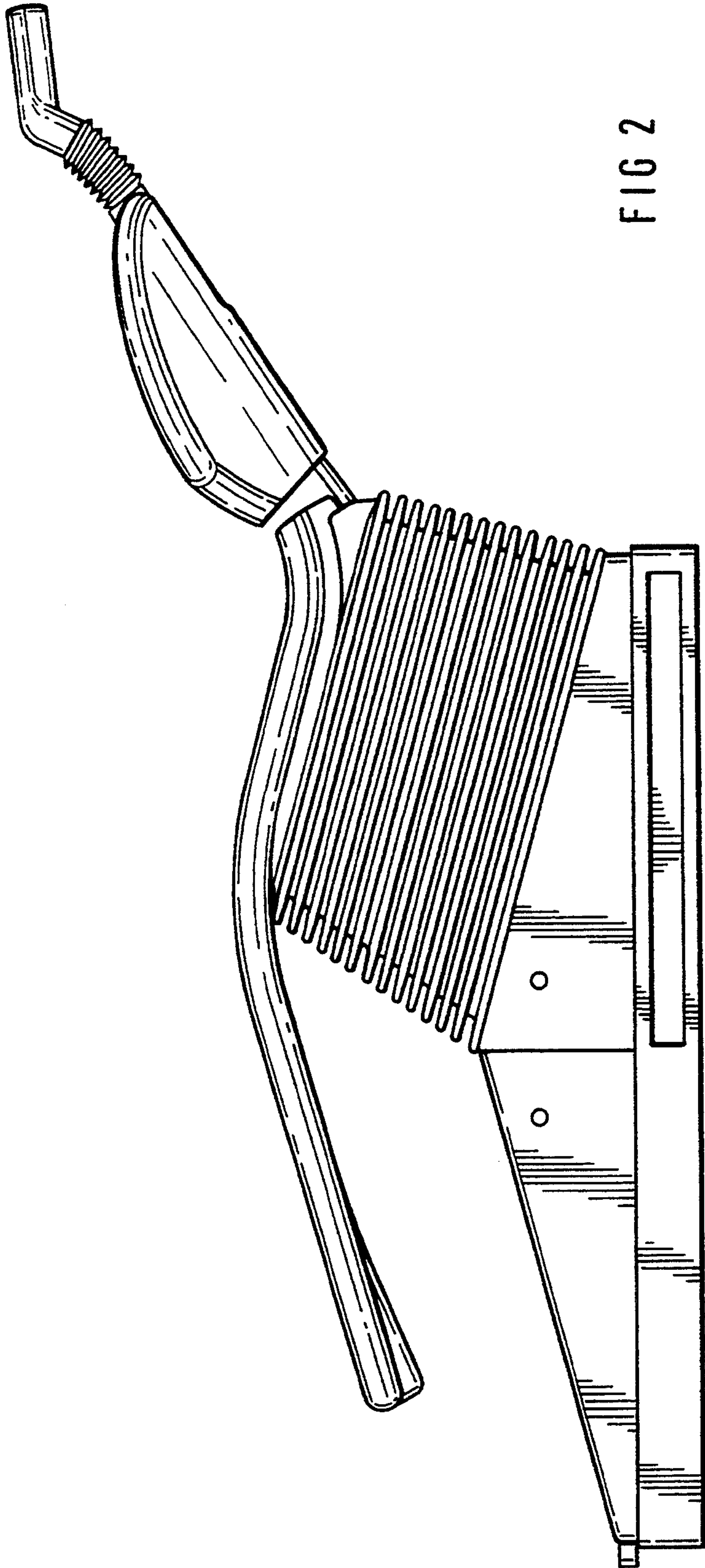


FIG 2



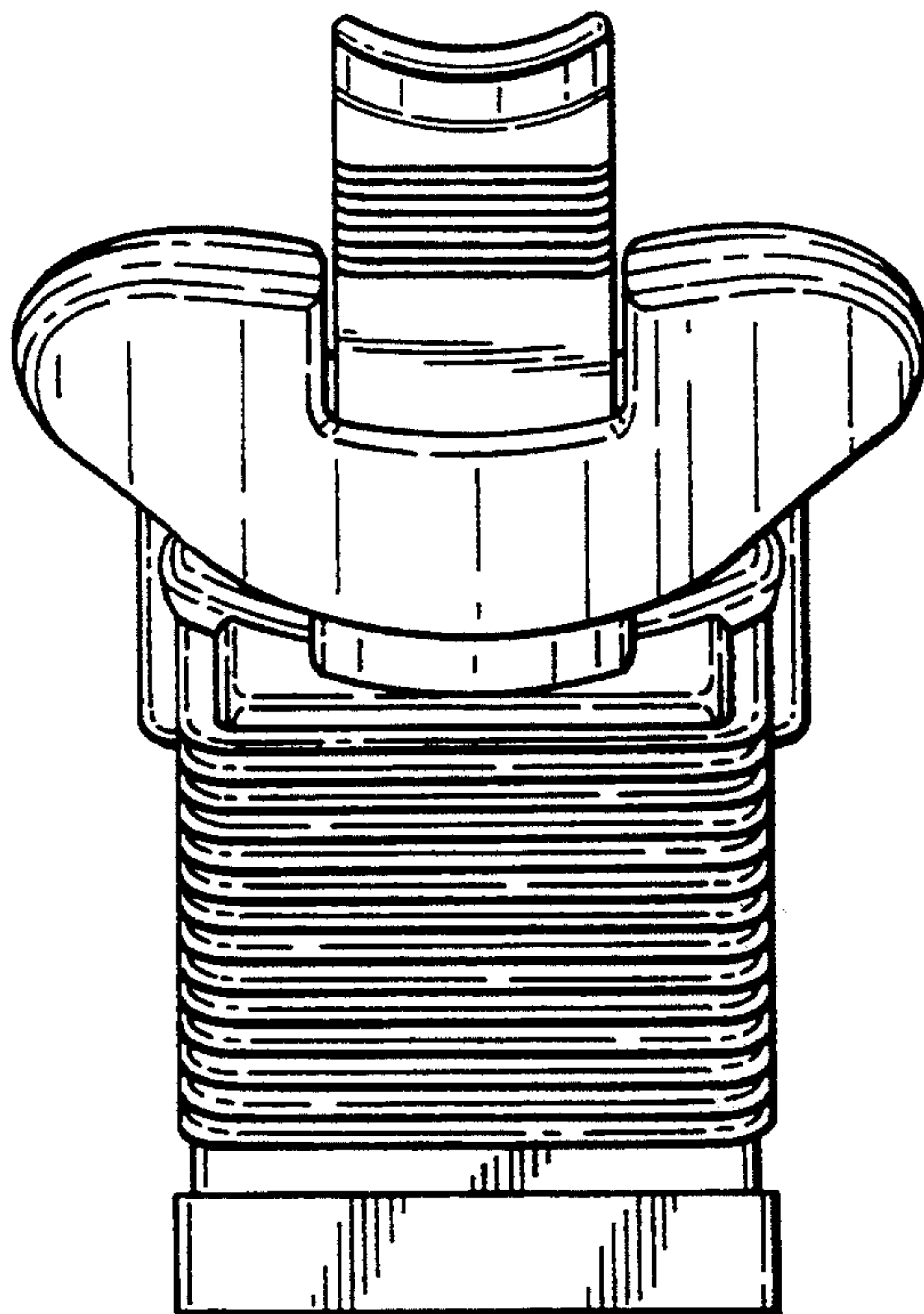


FIG 3

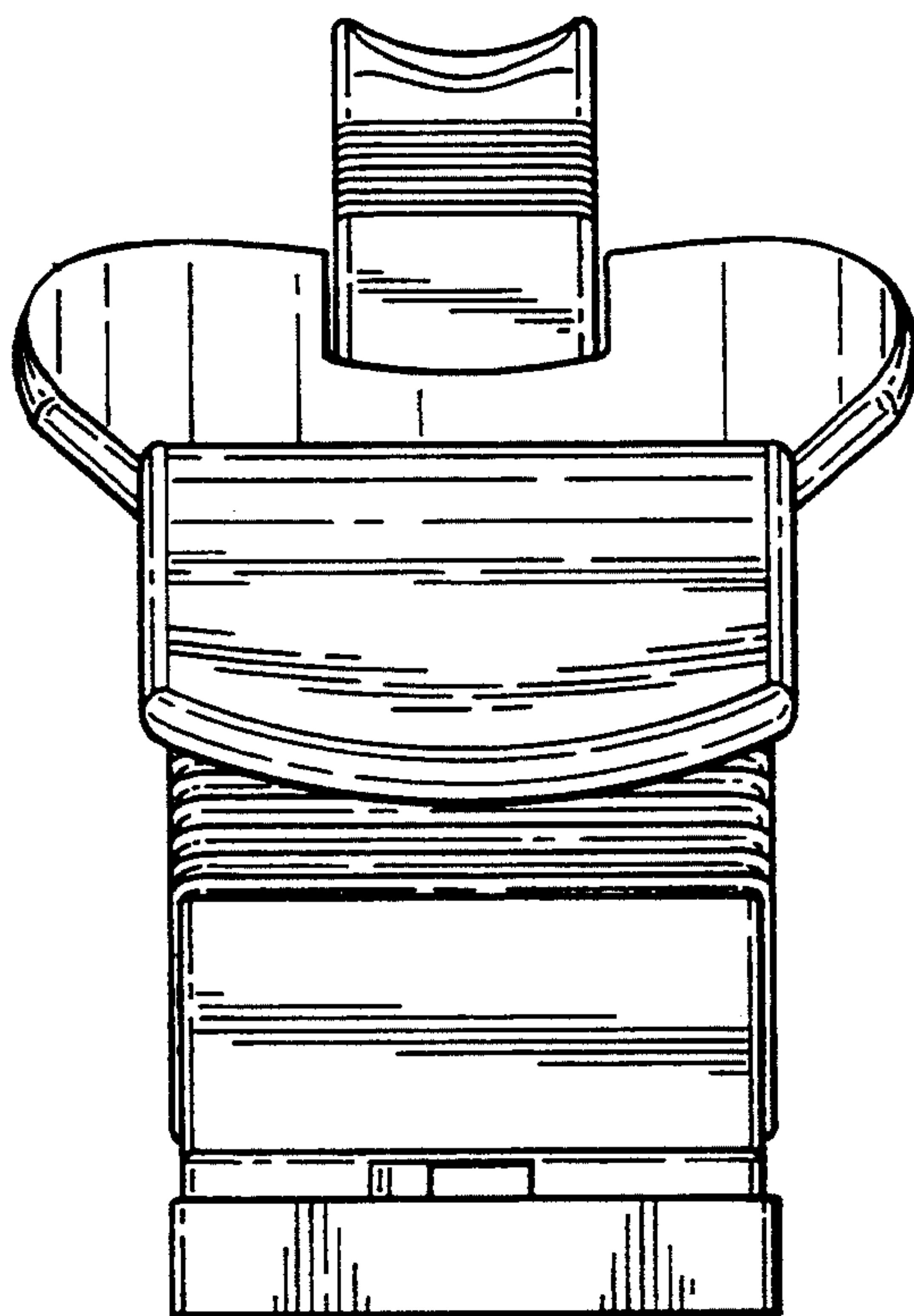


FIG 4

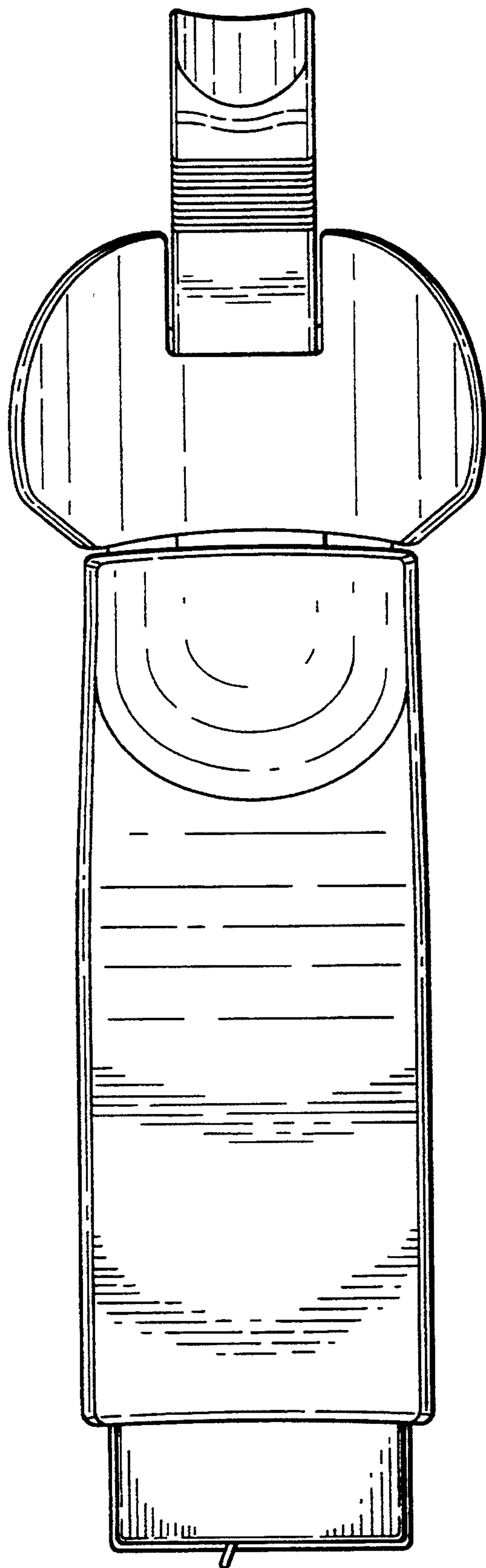


FIG 5