



US00D351740S

# United States Patent [19]

[11] Patent Number: Des. 351,740

Tesmer

[45] Date of Patent: \*\* Oct. 25, 1994

[54] POOL CHAIR

4,893,363 1/1990 Huff ..... 4/496

[76] Inventor: William A. Tesmer, 191 Ximeno Ave., Long Beach, Calif. 90803

Primary Examiner—Nelson C. Holtje  
Assistant Examiner—Gary D. Watson  
Attorney, Agent, or Firm—Charles H. Thomas

[\*\*] Term: 14 Years

[57] CLAIM

[21] Appl. No.: 7,798

The ornamental design for a pool chair, as shown and described.

[22] Filed: May 3, 1993

[52] U.S. Cl. .... D6/362; D25/2

[58] Field of Search ..... D6/334, 362, 368, 370, D6/372, 379, 380, 500, 501, 502; 4/496; D25/2

DESCRIPTION

[56] References Cited

U.S. PATENT DOCUMENTS

D. 234,034	1/1975	Johnson	.....	D6/372
D. 235,234	6/1975	Johnson	.....	D6/372 X
D. 251,639	4/1979	Colby	.....	D6/368 X
D. 279,054	6/1985	Longley et al.	.....	D6/362
D. 293,637	1/1988	Tallon	.....	D6/334 X
3,695,702	10/1972	Ingellis	.....	D6/372 X
4,837,869	6/1989	Simmon	.....	D6/370 X

FIG. 1 is a perspective view of a pool chair showing my new design;  
FIG. 2 is a front elevational view;  
FIG. 3 is a right side elevational view, the left side being a mirror image thereof;  
FIG. 4 is a top plan view;  
FIG. 5 is a bottom plan view; and,  
FIG. 6 is a rear elevational view thereof.  
The broken line showing of the side edge of a pool, in FIG. 3, is for illustrative purposes only and forms no part of the claimed design.

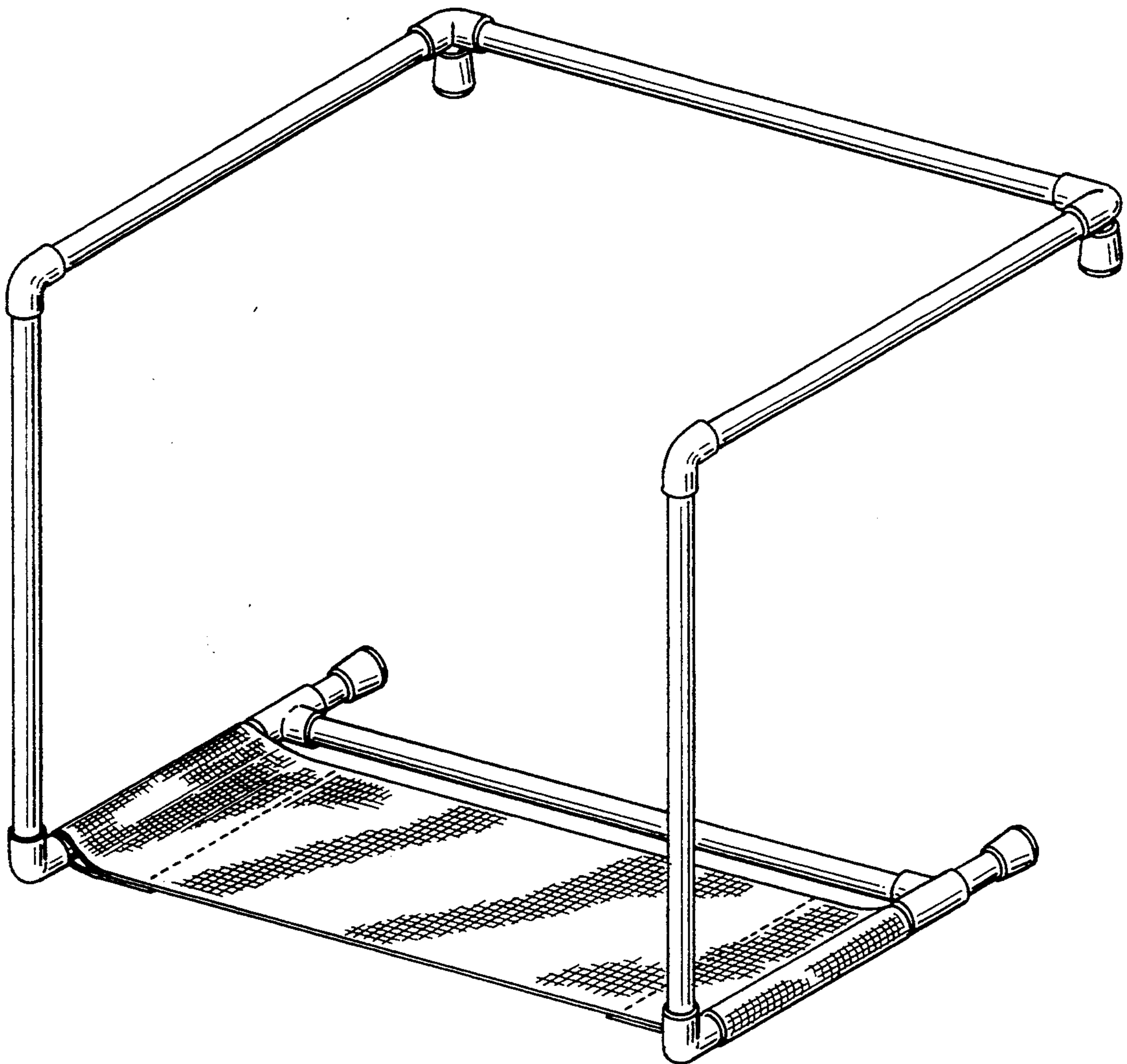


FIG-1

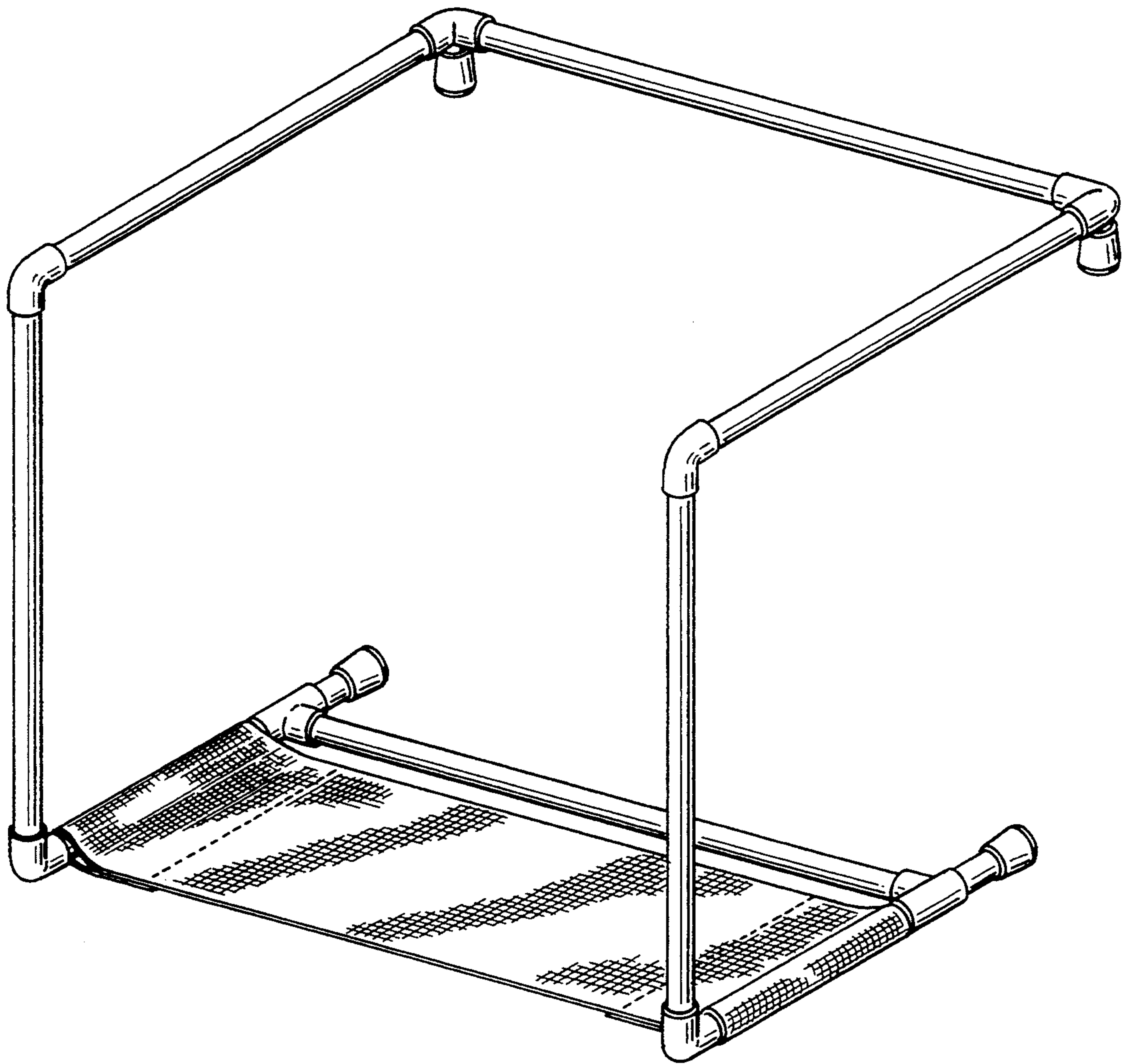


FIG-3

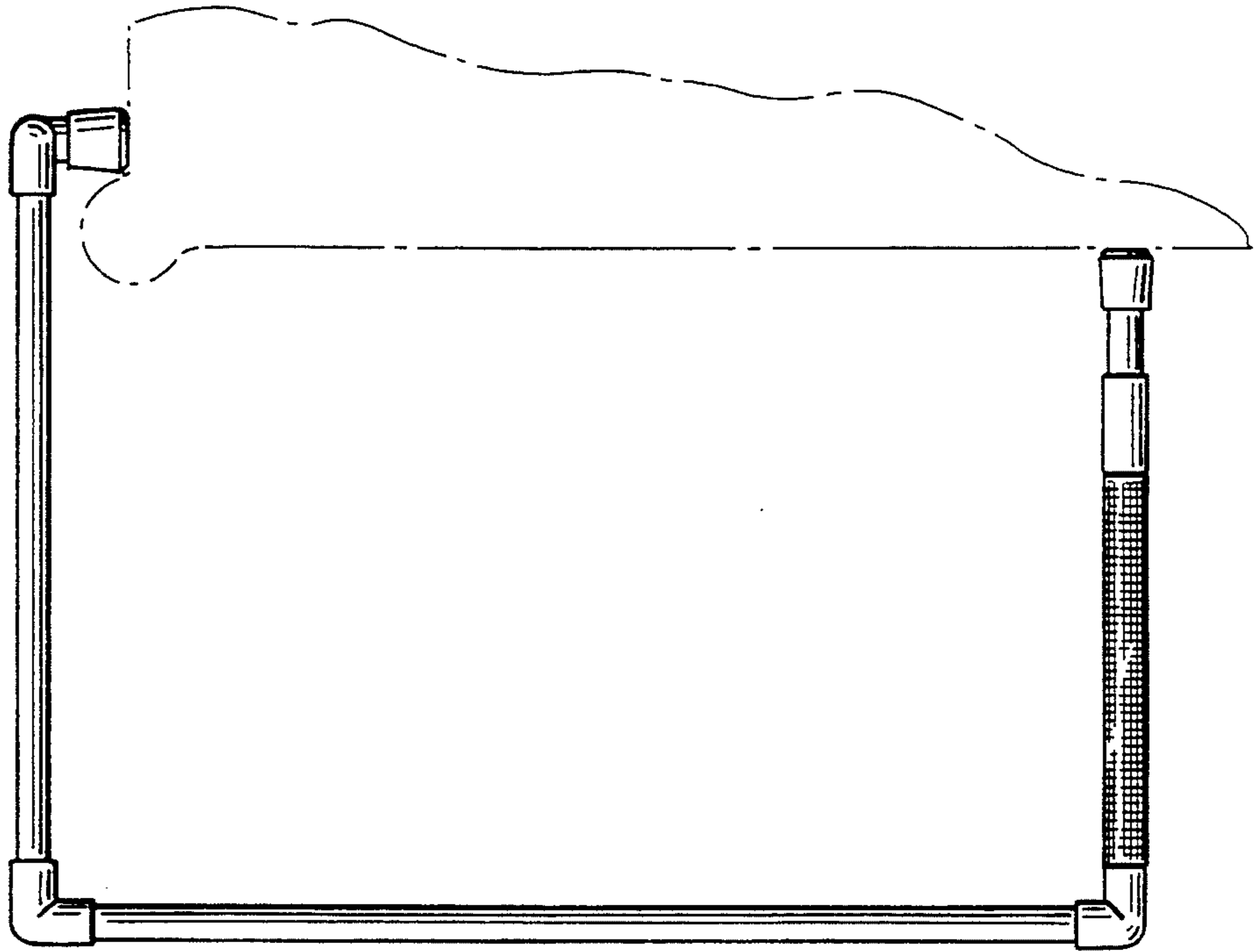


FIG-2

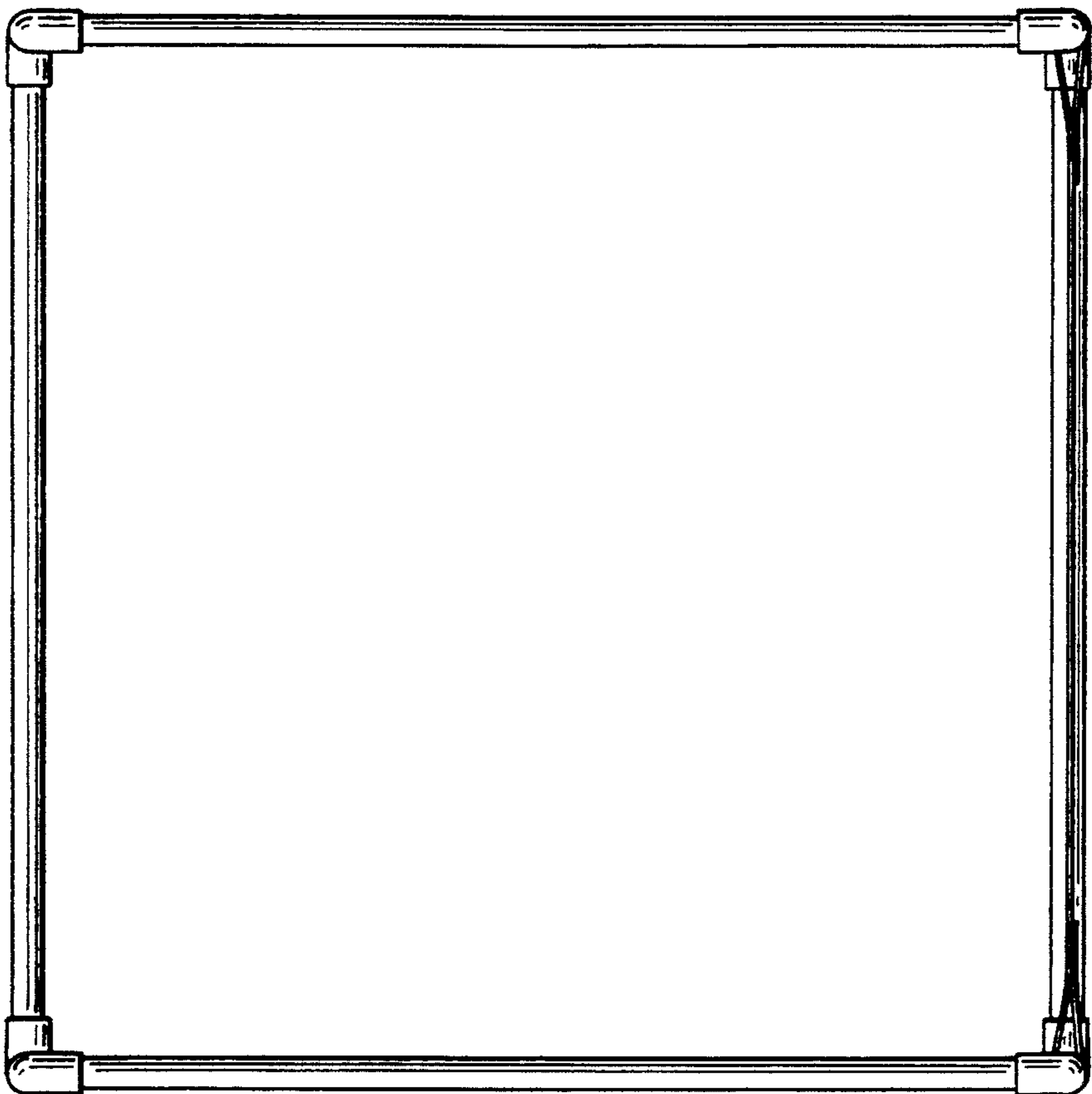


FIG-4

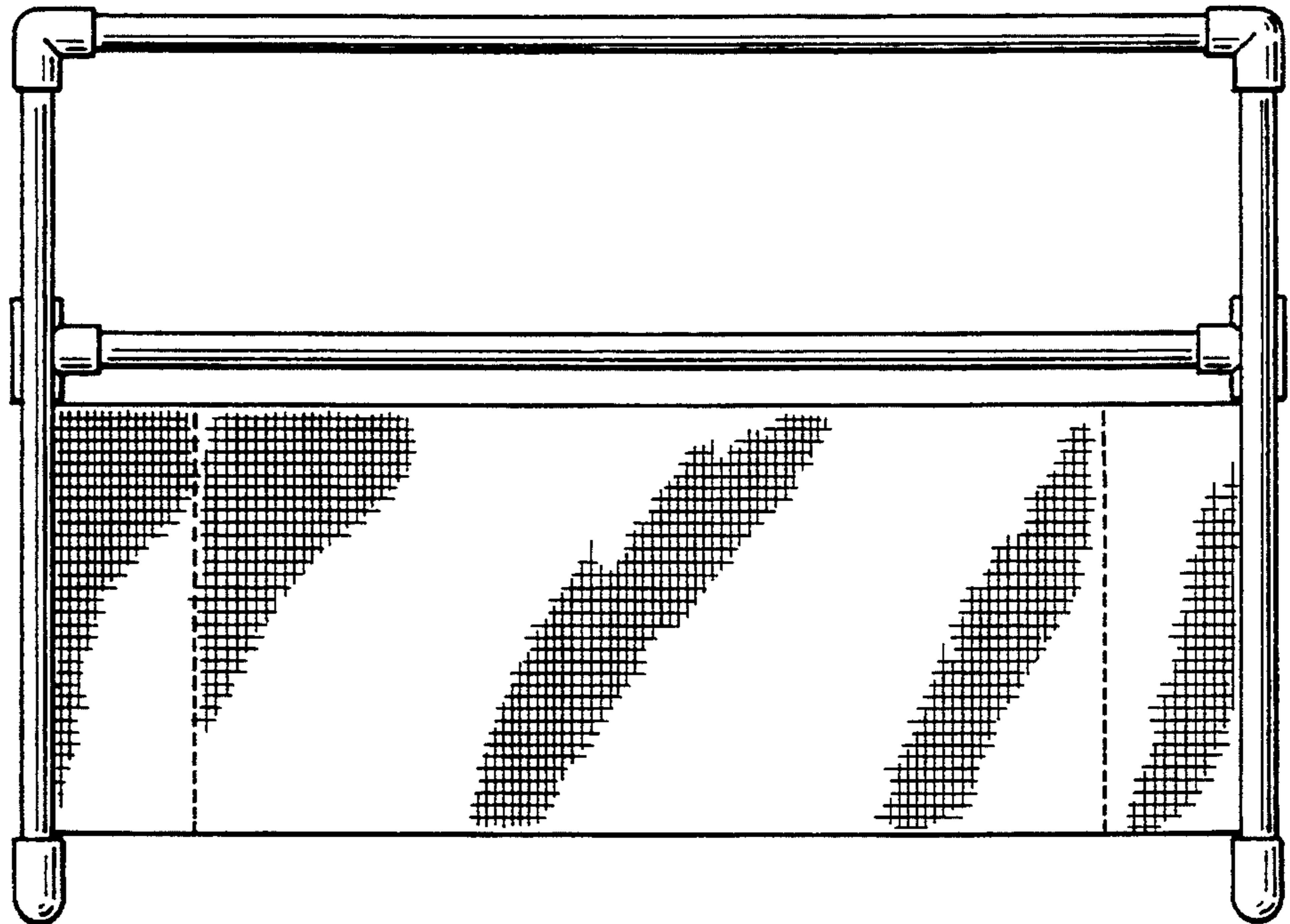


FIG-5

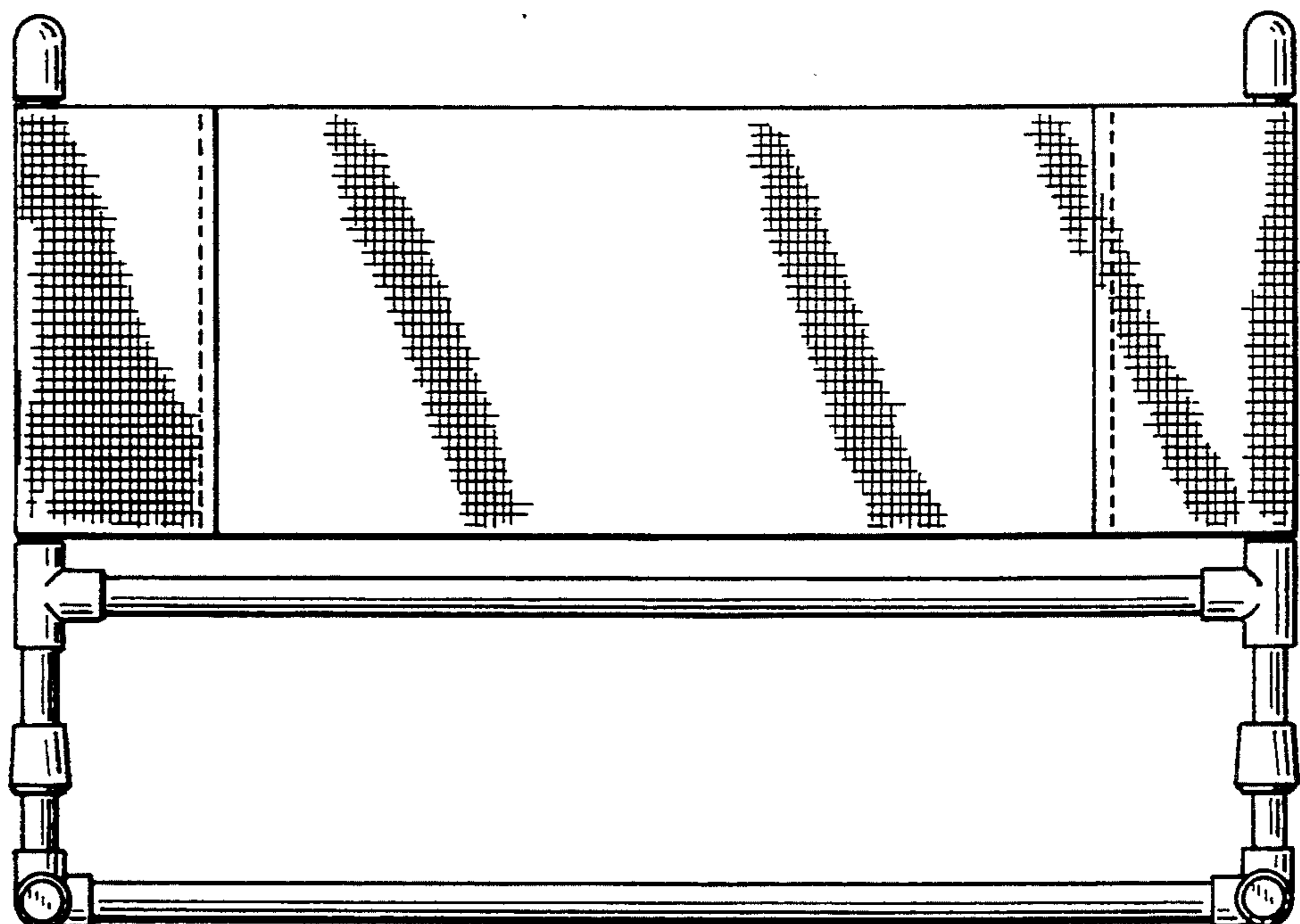




FIG-6

