



US00D351738S

United States Patent [19]
LaCombe

[11] **Patent Number: Des. 351,738**
[45] **Date of Patent: ** Oct. 25, 1994**

[54] **CHILD'S CAR SEAT TRAY**
[76] **Inventor: Sandra LaCombe, Box 271, Hale St., Medway, Me. 04460**
[**] **Term: 14 Years**
[21] **Appl. No.: 950,041**
[22] **Filed: Sep. 23, 1992**
[52] **U.S. Cl. D6/336; D6/379; D6/341**
[58] **Field of Search D6/333, 339, 341, 550, D6/553, 555, 406, 511; 297/153, 197, 217**

D. 331,330 12/1992 Bennett et al. D6/511 X
4,606,576 8/1986 Jones 297/153
4,971,389 11/1990 Staggu et al. 297/153 X

Primary Examiner—Nelson C. Holtje
Assistant Examiner—Monica A. Hannon
Attorney, Agent, or Firm—Lorraine M. Donaldson

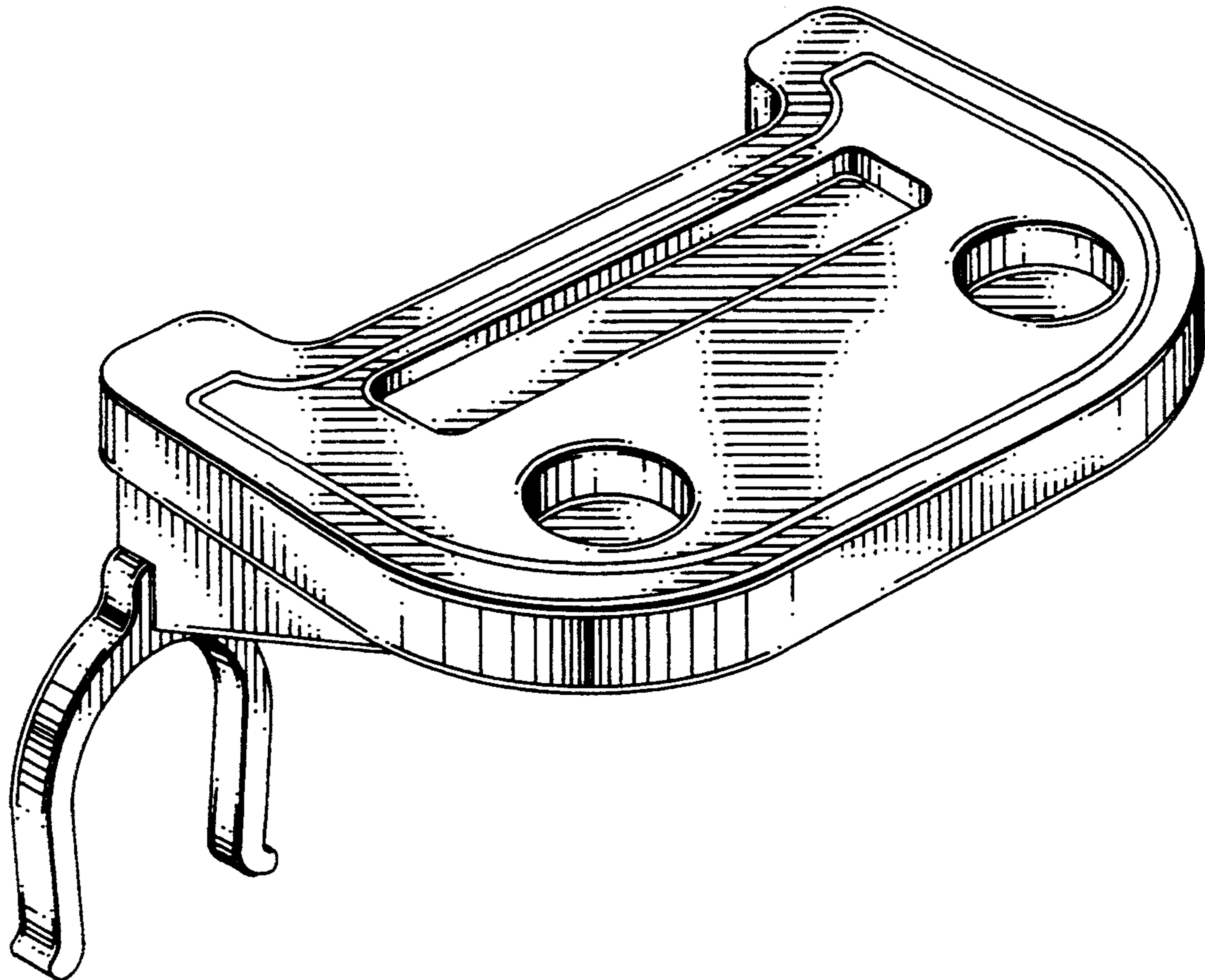
[56] **References Cited**
U.S. PATENT DOCUMENTS

D. 228,587 10/1973 Blazey et al. D6/339
D. 288,513 3/1987 Shelly D7/553 X

[57] **CLAIM**
The ornamental design for a child's car seat tray, as shown and described.

DESCRIPTION

FIG. 1 is an above perspective view of the child's car seat tray of the present invention; FIG. 2 is a side view of FIG. 1; FIG. 3 is a front view of FIG. 1; FIG. 4 is a rear view of FIG. 1; and, FIG. 5 is a bottom view of FIG. 1.



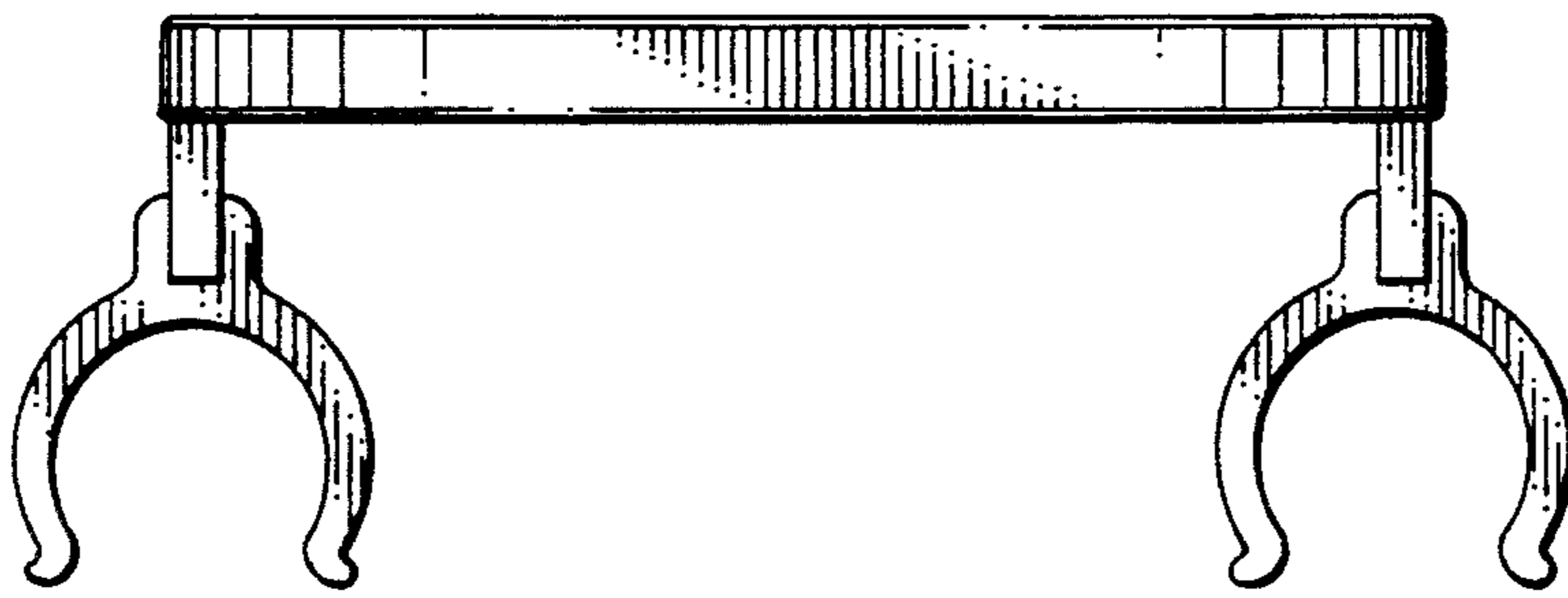
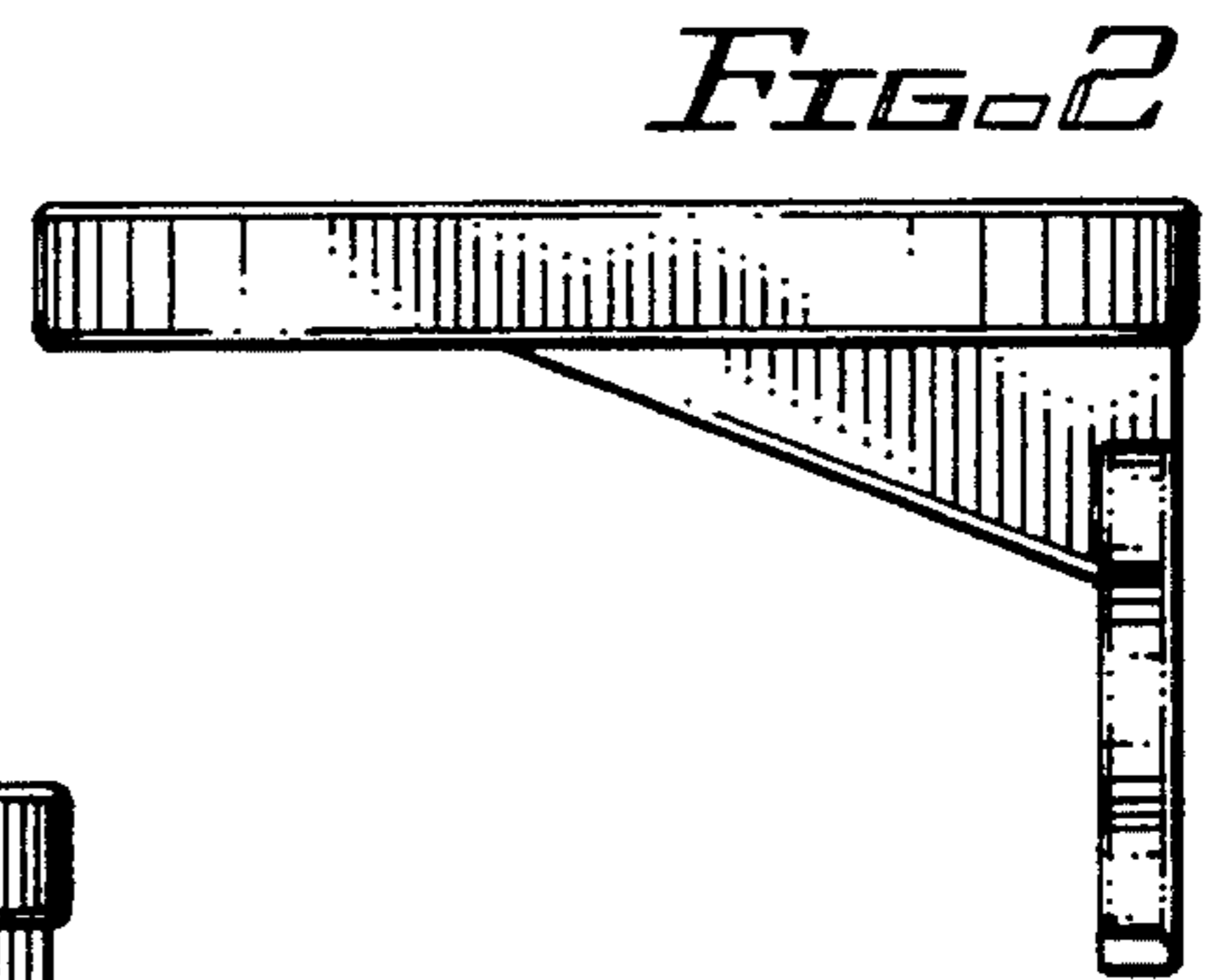
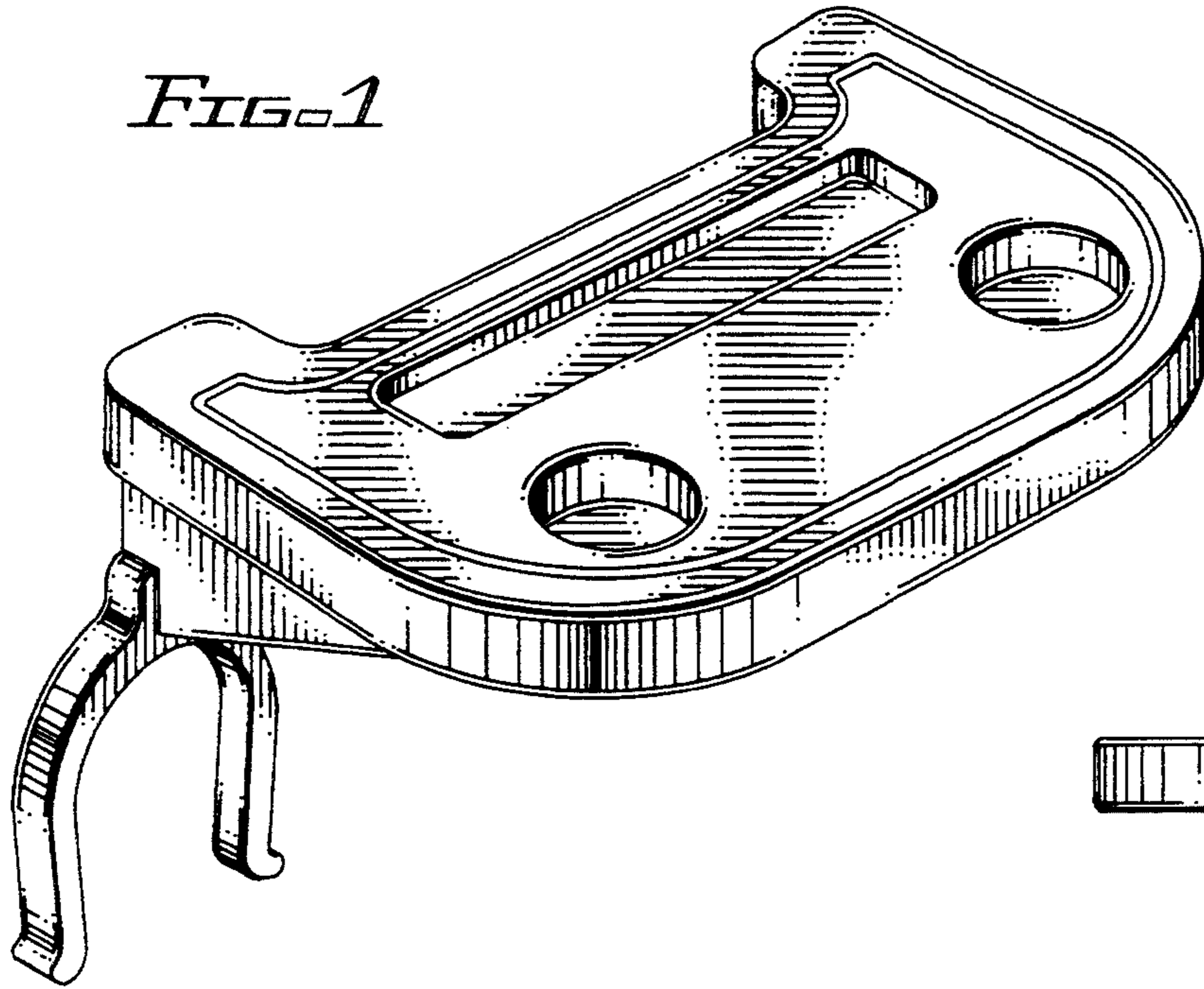


FIG. 3

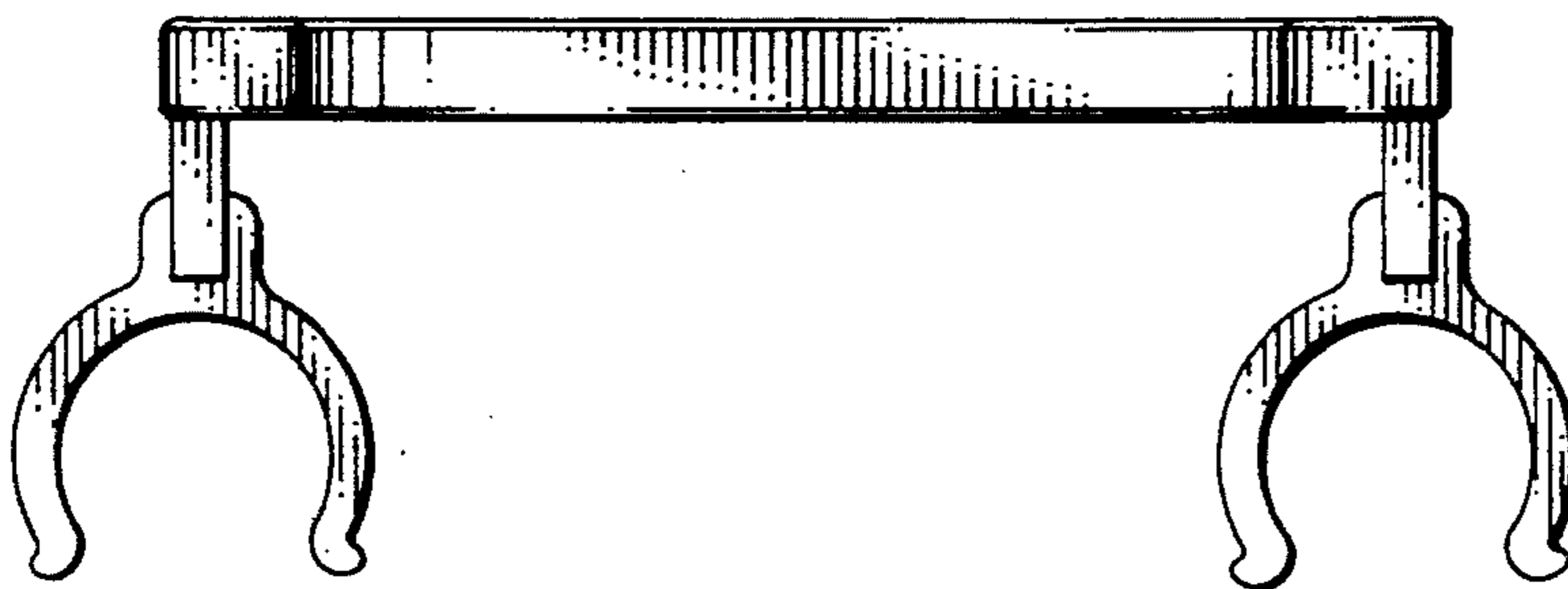


FIG. 4

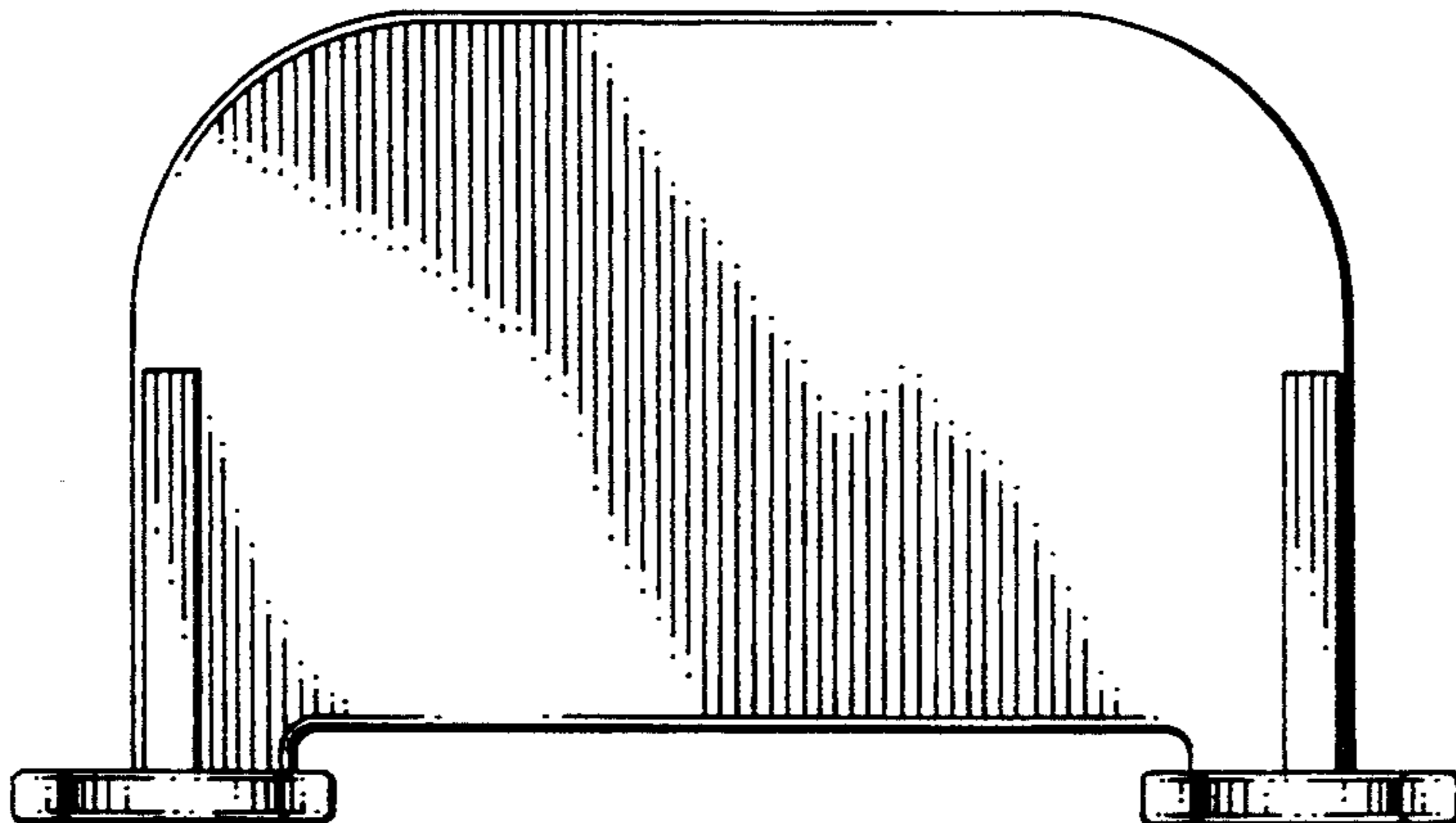


FIG. 5