



US00D351725S

United States Patent [19]

[11] Patent Number: **Des. 351,725**

Aumasson

[45] Date of Patent: **** Oct. 25, 1994**

[54] **LUGGAGE**

[75] Inventor: **Michel Aumasson, Rueil-Malmaison, France**

[73] Assignee: **Delsey (Societe Anonyme), Bobigny, France**

[**] Term: **14 Years**

[21] Appl. No.: **9,262**

[22] Filed: **Jun. 9, 1993**

[30] **Foreign Application Priority Data**

Dec. 11, 1992 [FR] France 927535

[52] U.S. Cl. **D3/276; D3/273; D3/291**

[58] Field of Search **D3/273, 276, 282, 283, D3/291, 294; 190/18 R, 100, 115; 206/278, 305, 349**

[56] **References Cited**

U.S. PATENT DOCUMENTS

D. 286,950	12/1986	Miles et al.	D3/291
D. 337,198	7/1993	Chauvin	D3/291
2,846,800	8/1958	Macks et al.	190/100 X
3,306,402	2/1967	Heitler et al.	190/115

Primary Examiner—Bernard Ansher
Assistant Examiner—Dominic Simone
Attorney, Agent, or Firm—Finnegan, Henderson, Farabow, Garrett & Dunner

[57] **CLAIM**

The ornamental design for luggage, as shown and described.

DESCRIPTION

FIG. 1 is a side view of luggage showing my new design;
FIG. 2 is a rear view thereof;
FIG. 3 is a side view thereof;
FIG. 4 is a top view thereof;
FIG. 5 is a front view thereof; and,
FIG. 6 is a bottom view thereof.

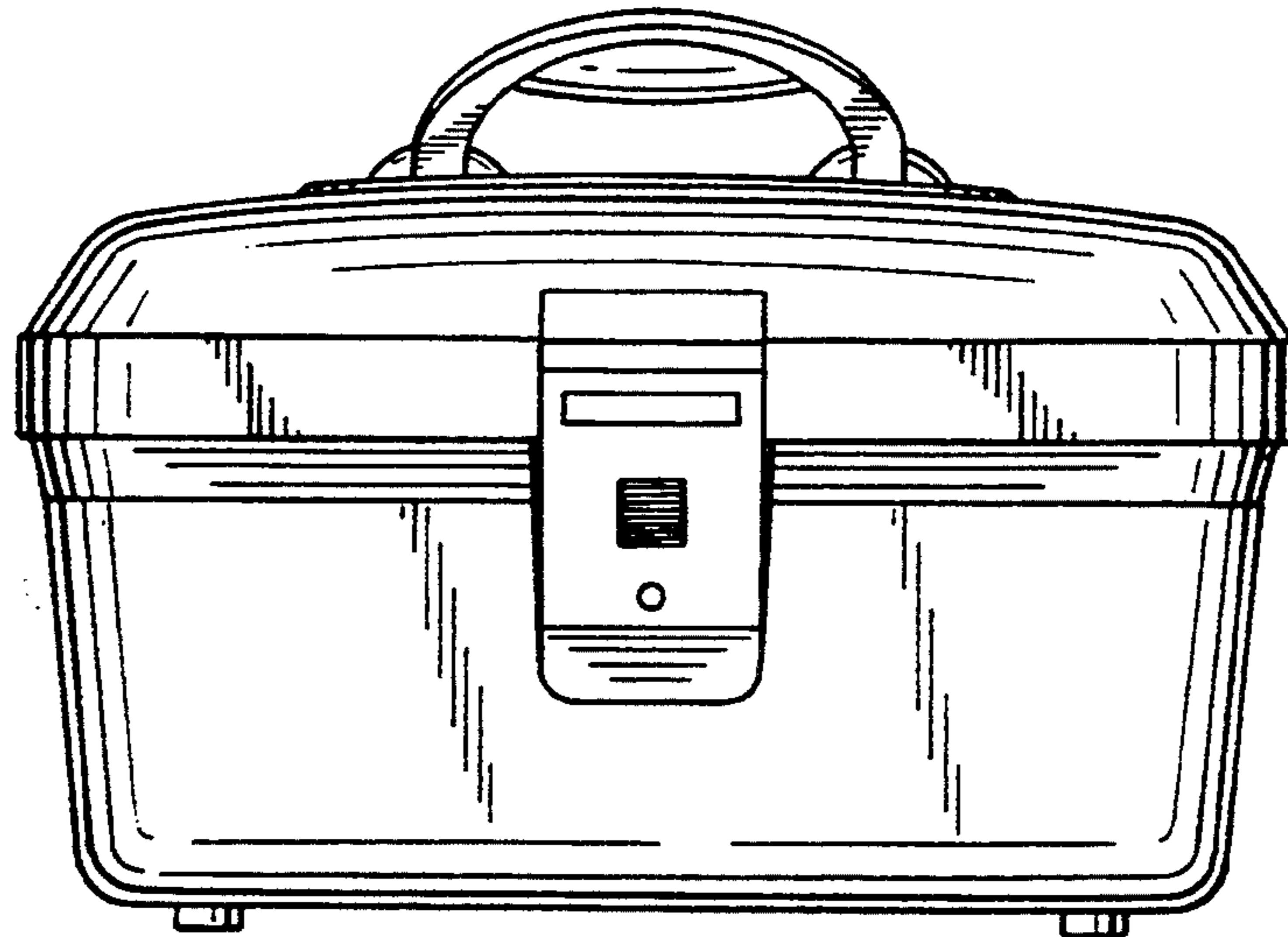


FIG. 1

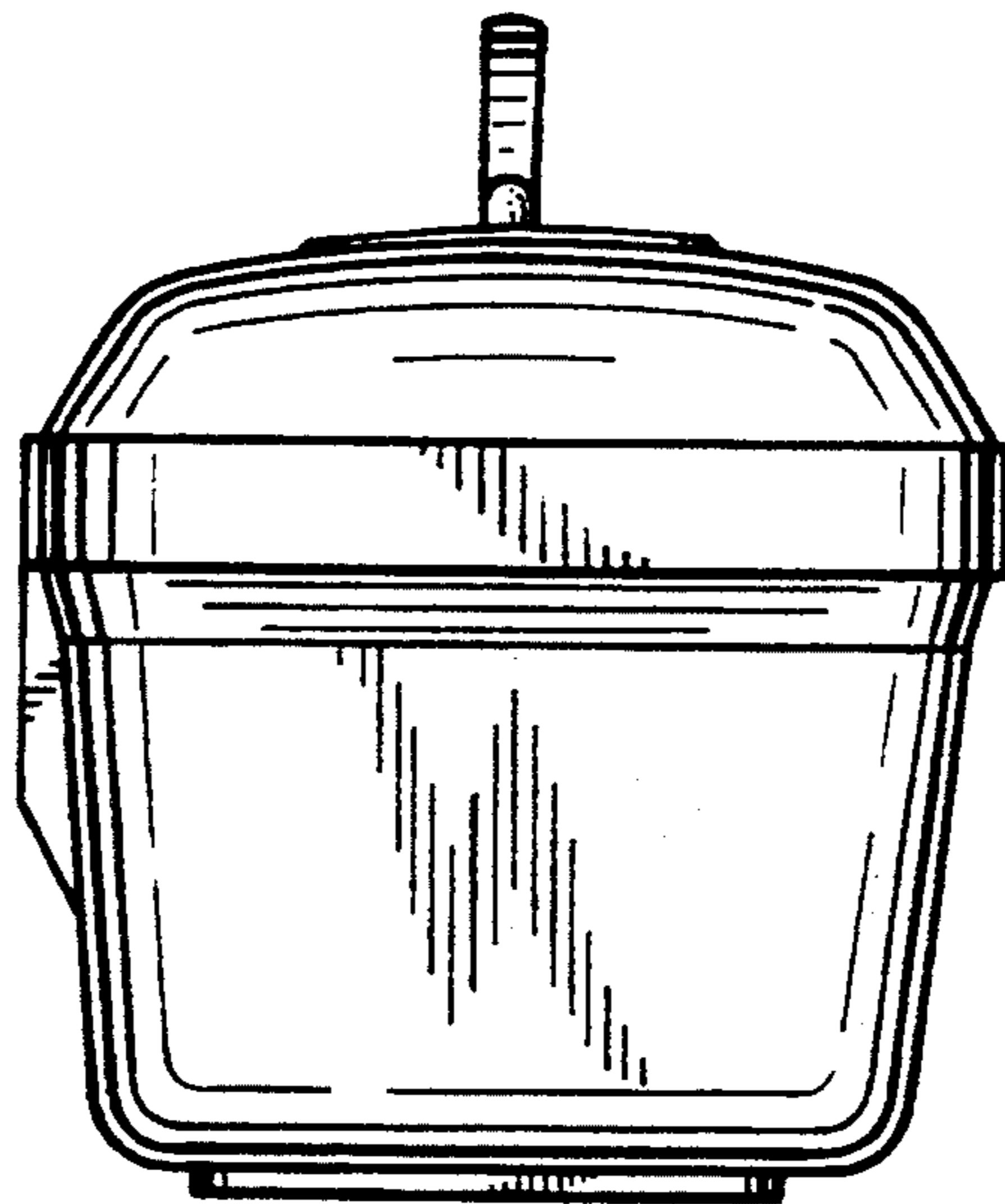


FIG. 2

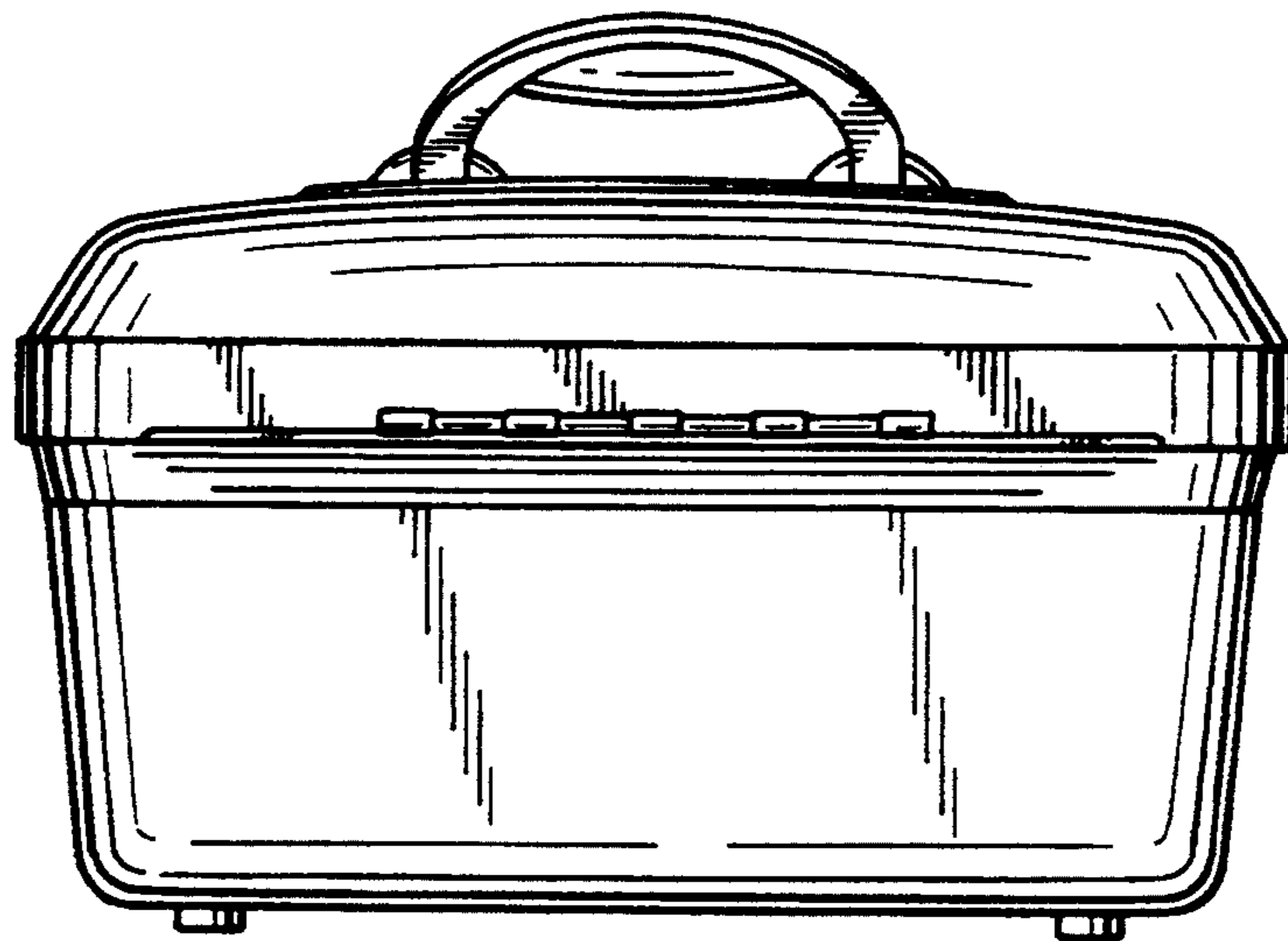


FIG. 3

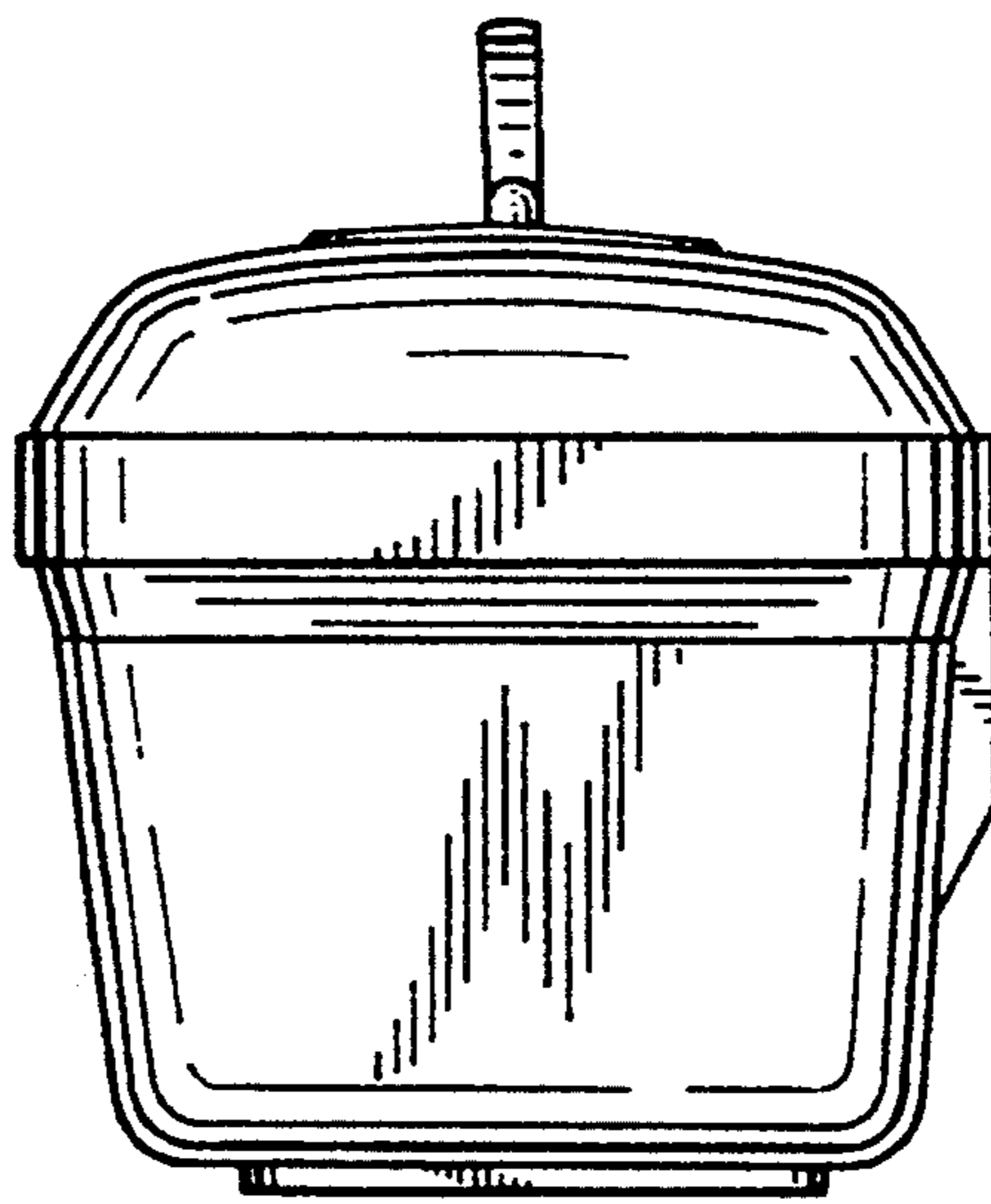


FIG. 4

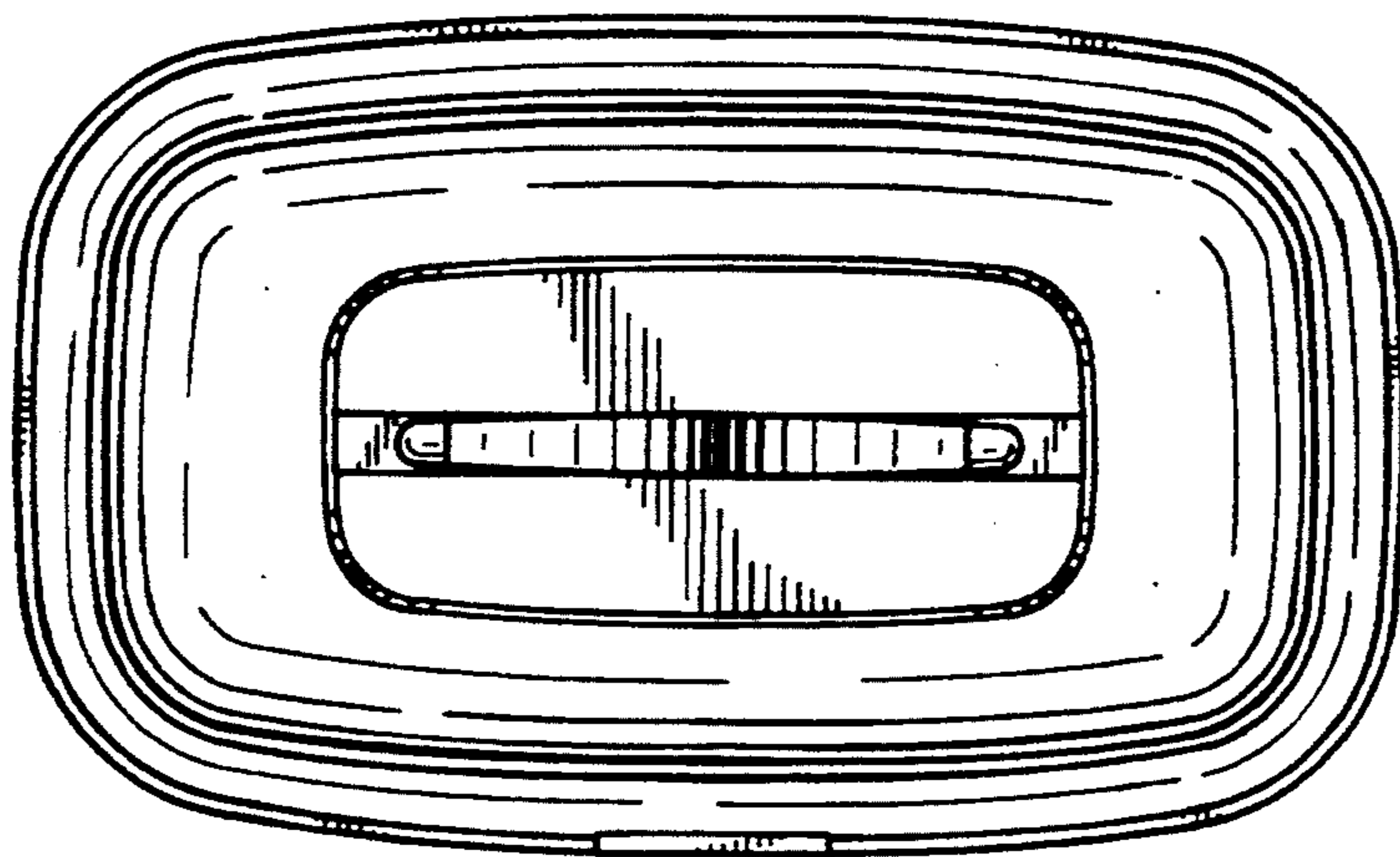


FIG. 5

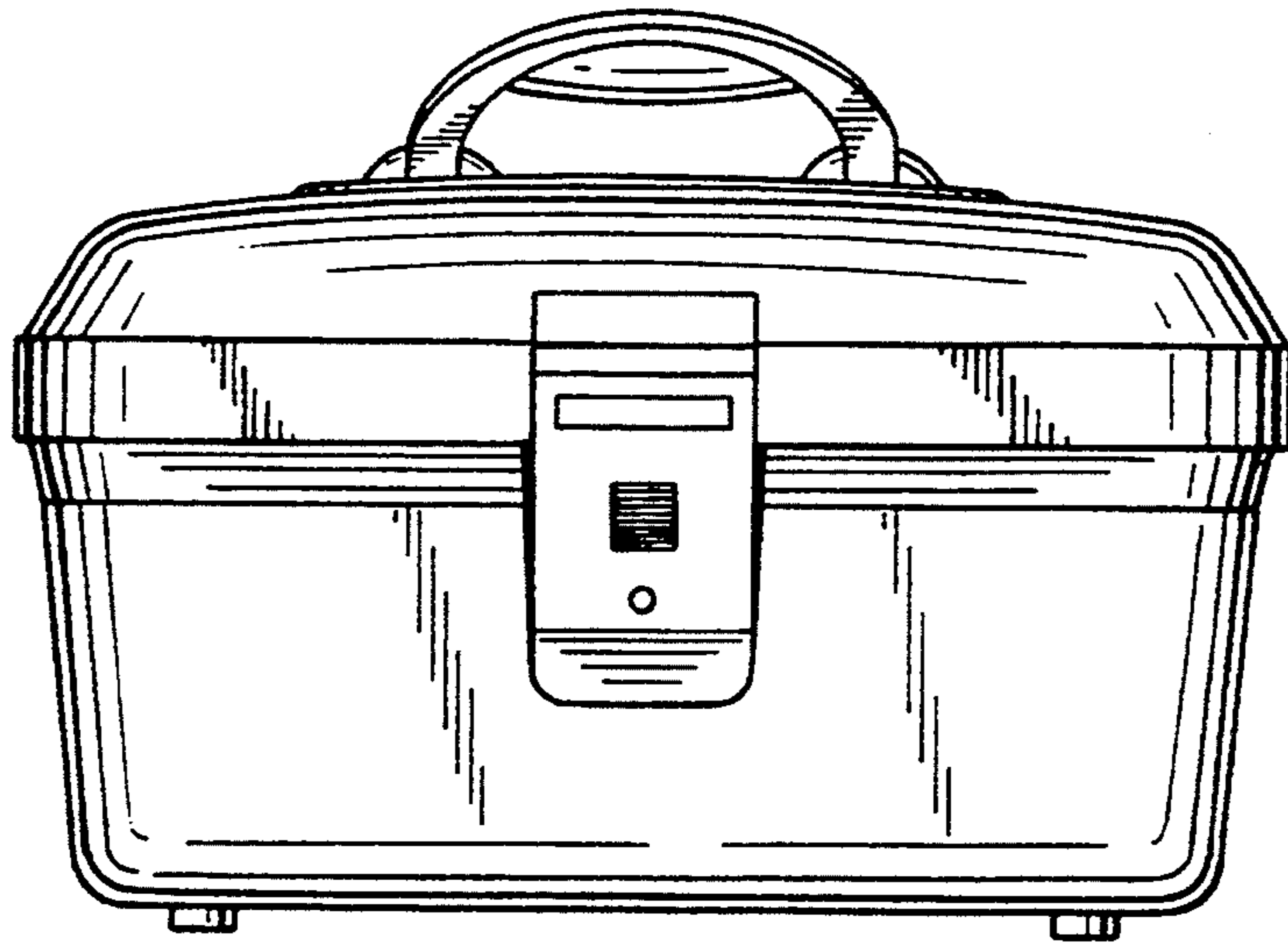


FIG. 6

