



US00D351709S

United States Patent [19]

[11] Patent Number: **Des. 351,709**

Williams

[45] Date of Patent: **** Oct. 18, 1994**

[54] **CHUTE FOR CONCRETE AND INSULATION**

4,572,782 2/1986 Smith et al. 193/3

[76] Inventor: **Walter L. Williams**, 11505 Nassau Dr, NE., Albuquerque, N. Mex. 87111

Primary Examiner—Wallace R. Burke
Assistant Examiner—Robin V. Taylor
Attorney, Agent, or Firm—Terry M. Gernstein

[**] Term: **14 Years**

[57] **CLAIM**

[21] Appl. No.: **9,317**

The ornamental design for a chute for concrete and insulation, as shown and described.

[22] Filed: **Jun. 10, 1993**

[52] U.S. Cl. **D34/28**

DESCRIPTION

[58] Field of Search 198/523, 706, 710, 711; 193/3, 4, 21, 25 A, 25 C, 9, 2 B, 16; D34/28

FIG. 1 is a front top and side perspective view of the chute for concrete and insulation showing my new design;

[56] **References Cited**

U.S. PATENT DOCUMENTS

- D. 161,852 2/1951 Meeder D34/28
- D. 314,270 1/1991 Bryant D34/28
- 889,906 6/1908 Claypoole 193/4

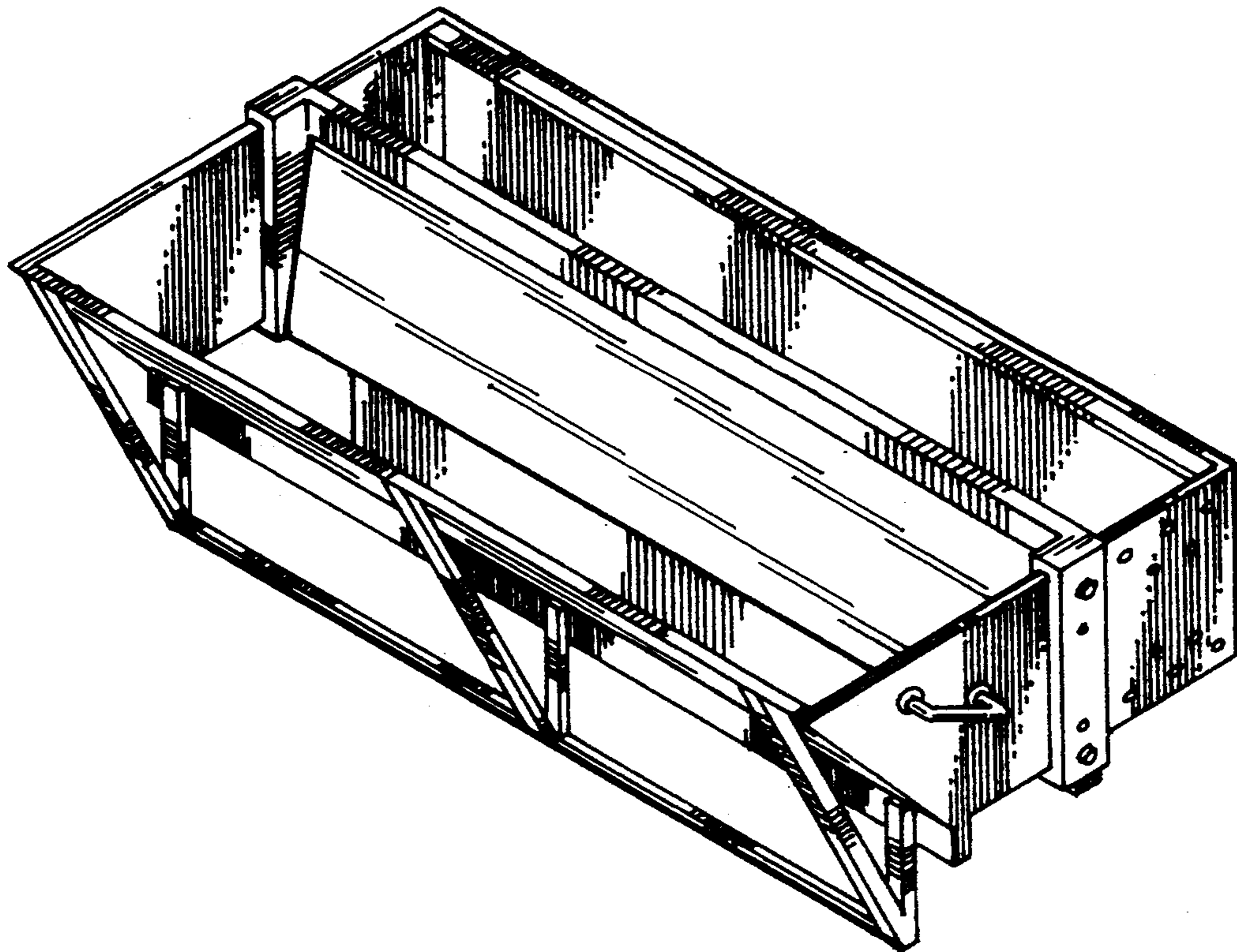
FIG. 2 is a front elevational view thereof;

FIG. 3 is a rear elevational view thereof;

FIG. 4 is a side elevational view thereof;

FIG. 5 is a top plan view thereof; and,

FIG. 6 is a bottom plan view thereof.



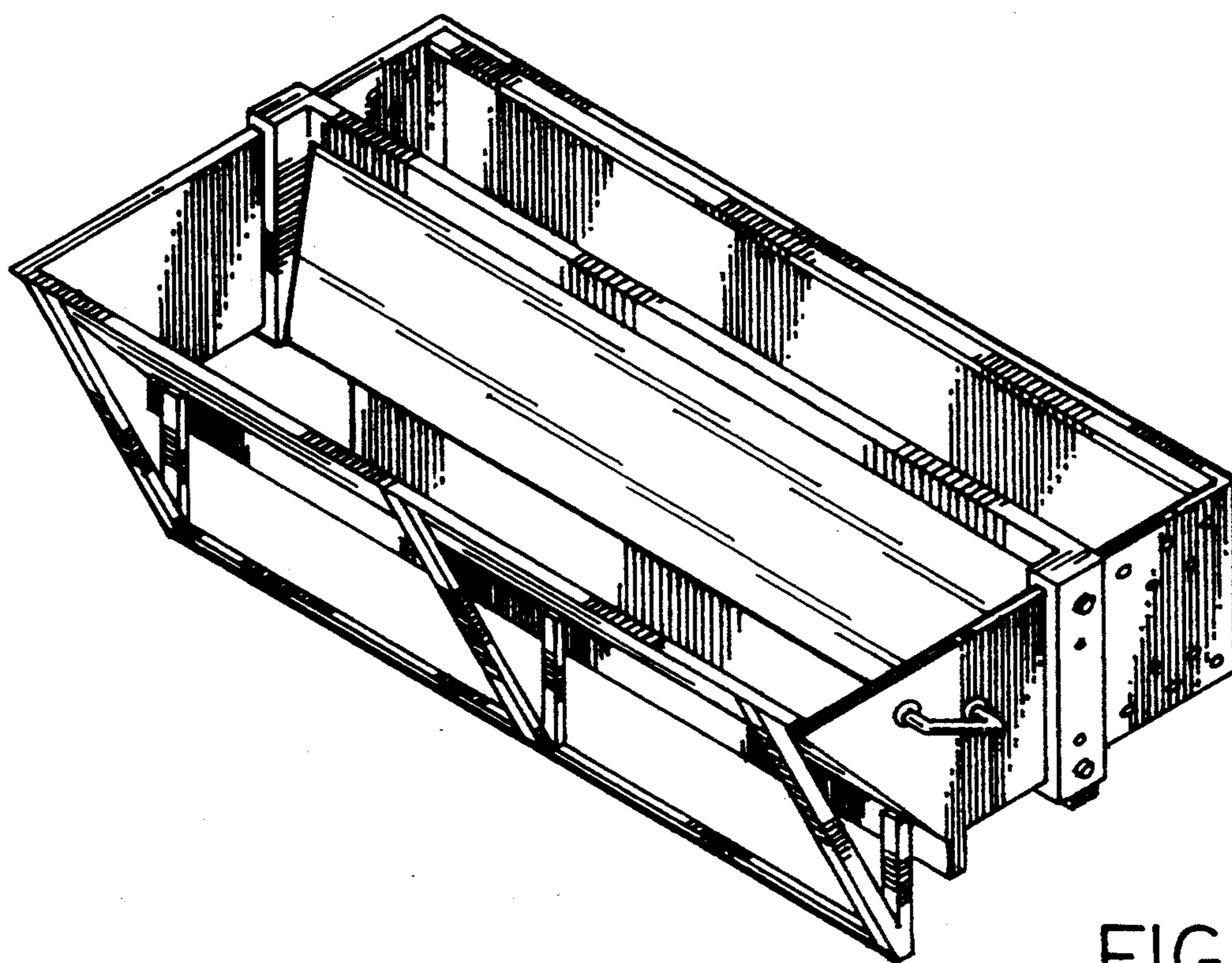


FIG. 1

FIG. 2

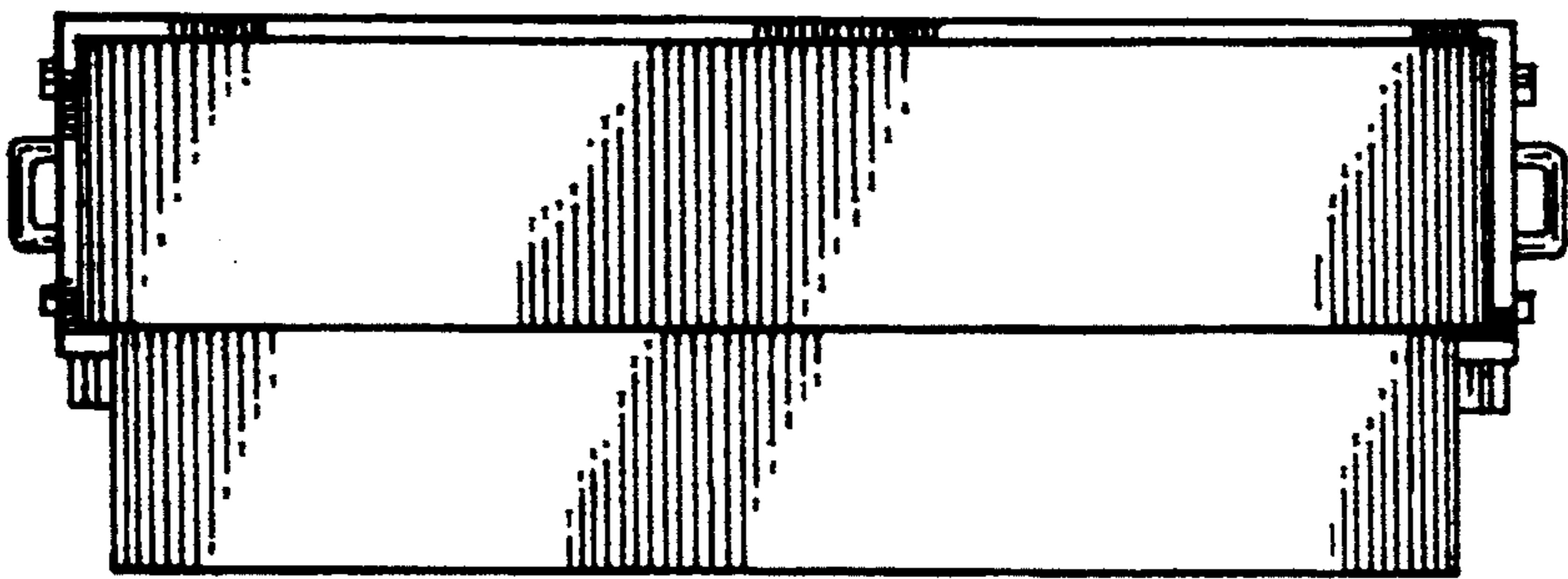
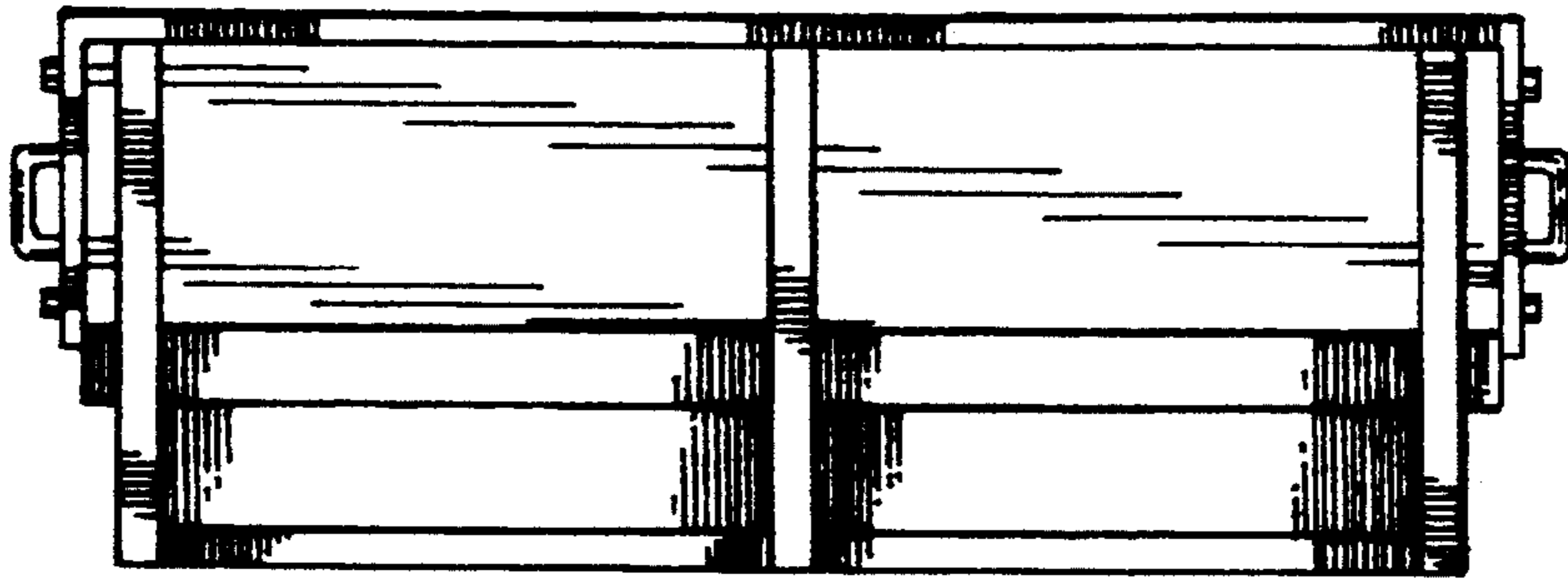


FIG. 3

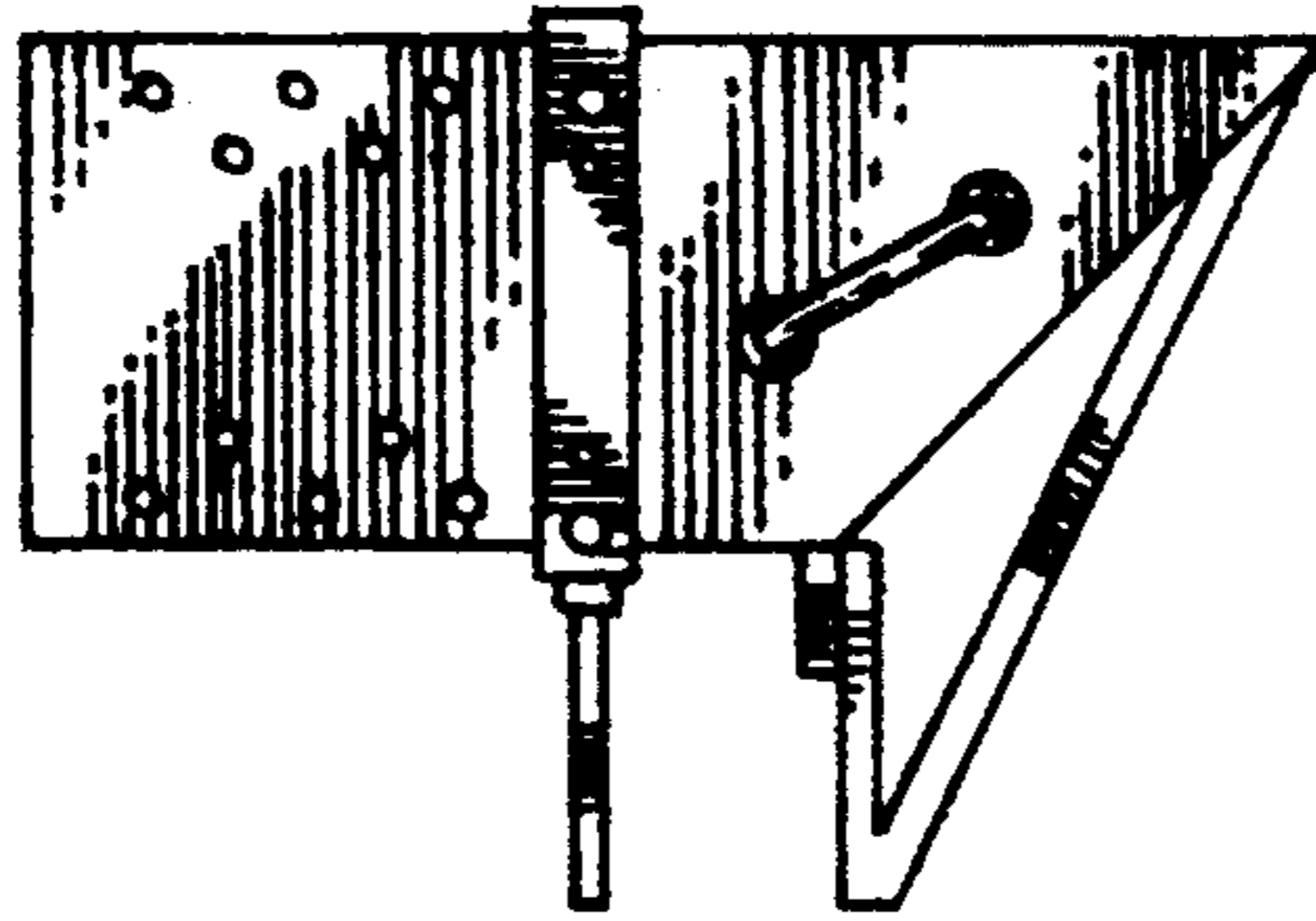


FIG. 4

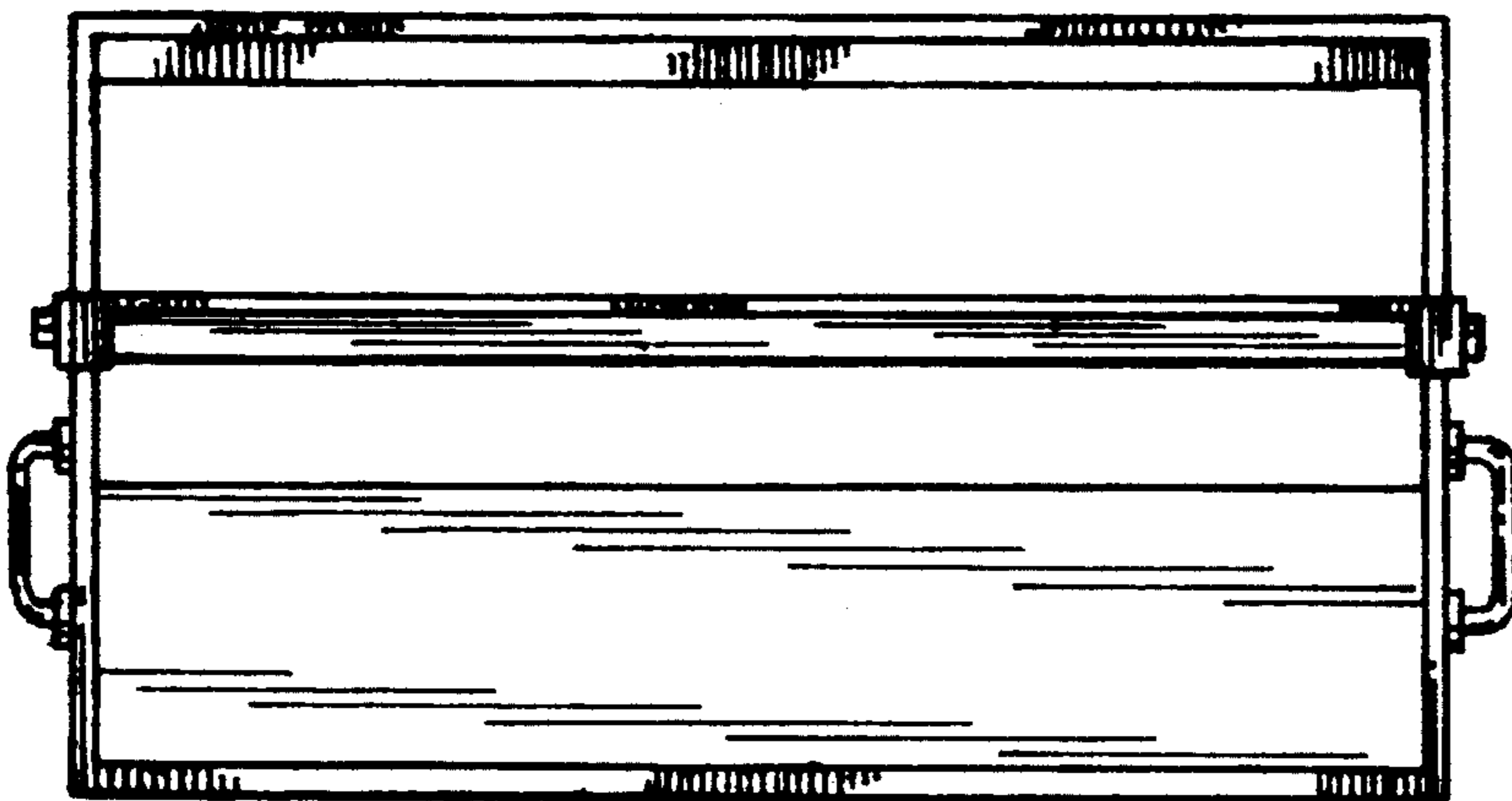


FIG. 5

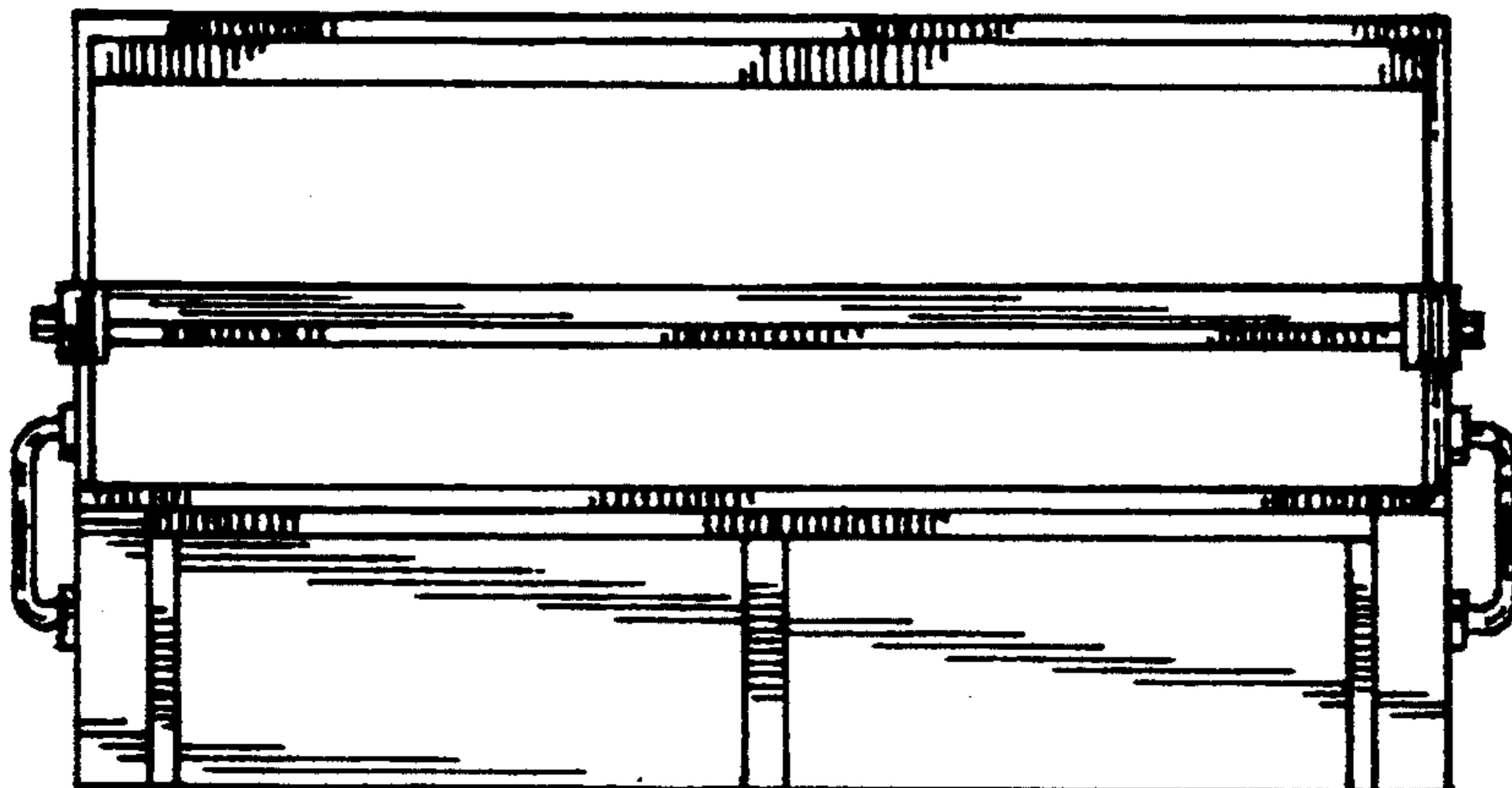


FIG. 6