



US00D351707S

United States Patent [19] Pill

[11] Patent Number: **Des. 351,707**

[45] Date of Patent: **** Oct. 18, 1994**

[54] **MECHANICS CREEPER**

[76] Inventor: **Leonard Pill**, 4109 Melrose Ave., Los Angeles, Calif. 90029

[**] Term: **14 Years**

[21] Appl. No.: **11,846**

[22] Filed: **Aug. 16, 1993**

[52] U.S. Cl. **D34/23; D34/12**

[58] Field of Search 280/79.11, 32.5, 32.6;
D34/12, 23

[56] **References Cited**

U.S. PATENT DOCUMENTS

- D. 320,484 10/1991 Wallin D34/23
- D. 321,072 10/1991 Bennett et al. D34/23
- 5,174,592 12/1992 Pool 280/32.6

Primary Examiner—Kay H. Chin
Attorney, Agent, or Firm—Edgar W. Averill, Jr.

[57] **CLAIM**

The ornamental design for a mechanic's creeper, as shown and described.

DESCRIPTION

FIG. 1 is a top, rear and right side perspective view of a mechanic's creeper showing my new design, the broken lines are for illustrative purposes only and form no part of the claimed design;

FIG. 2 is a plan view thereof;

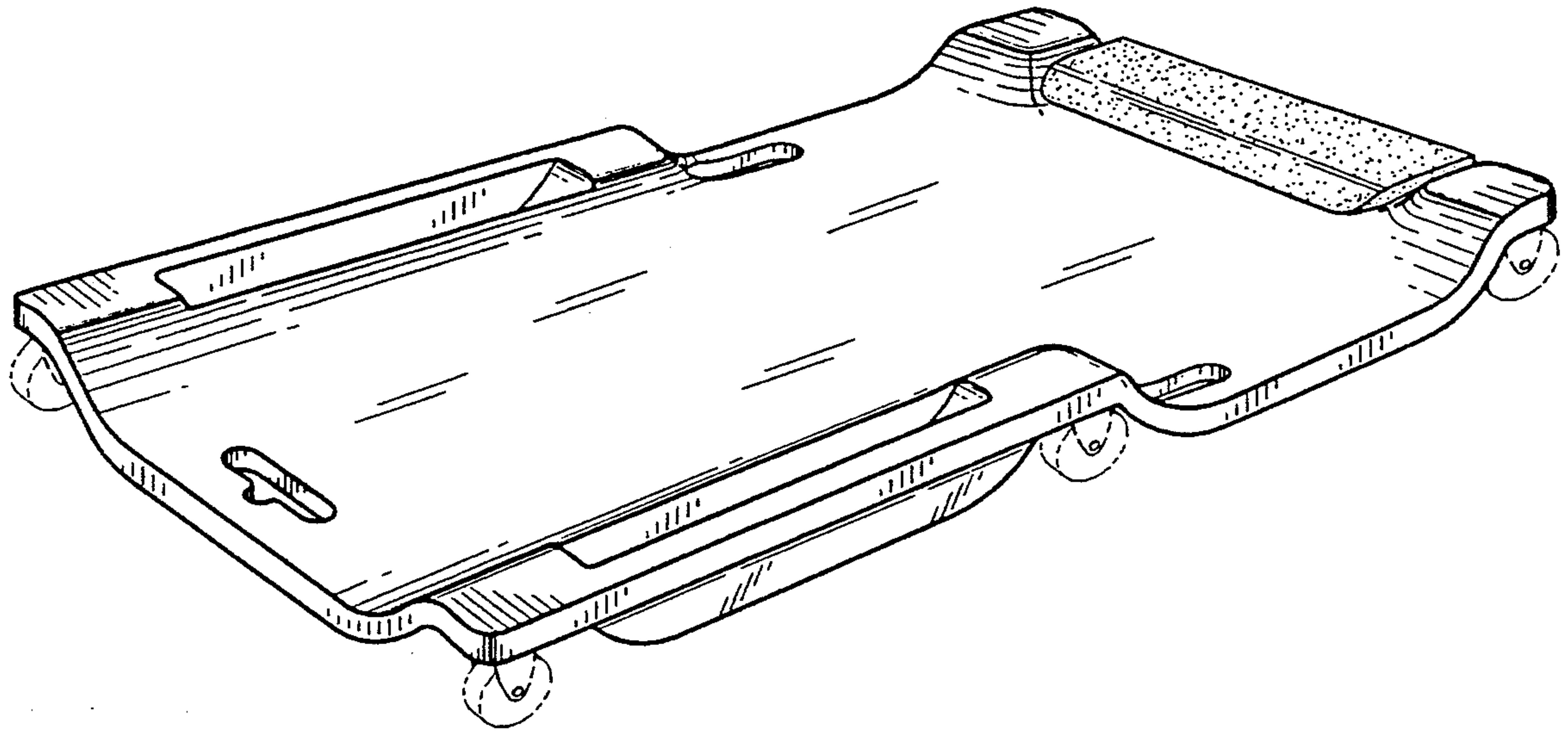
FIG. 3 is a right side view thereof;

FIG. 4 is a bottom plan view thereof;

FIG. 5 is a front view thereof;

FIG. 6 is a rear view thereof; and,

FIG. 7 is a cross-sectional view taken along line 7—7 of FIG. 4.



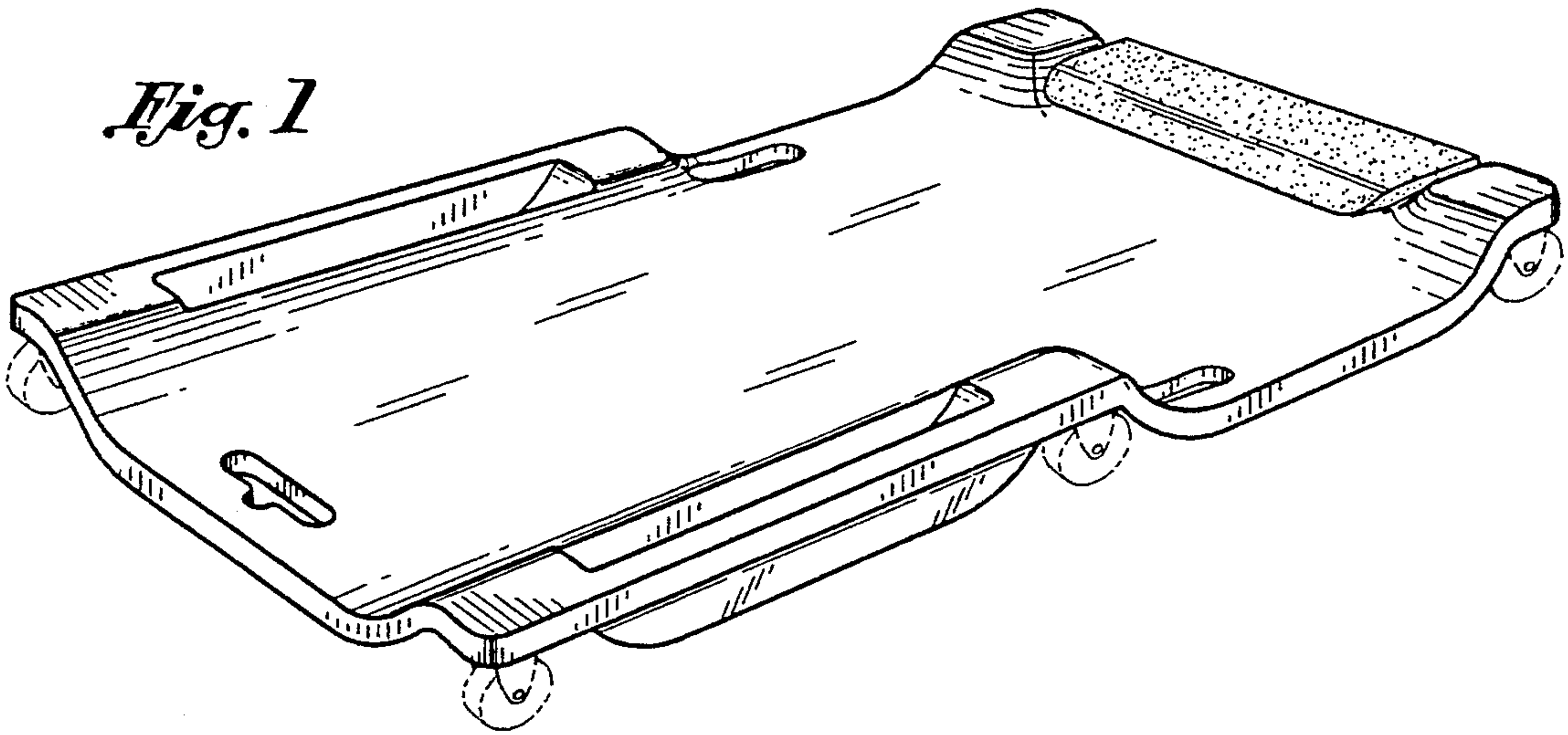


Fig. 2

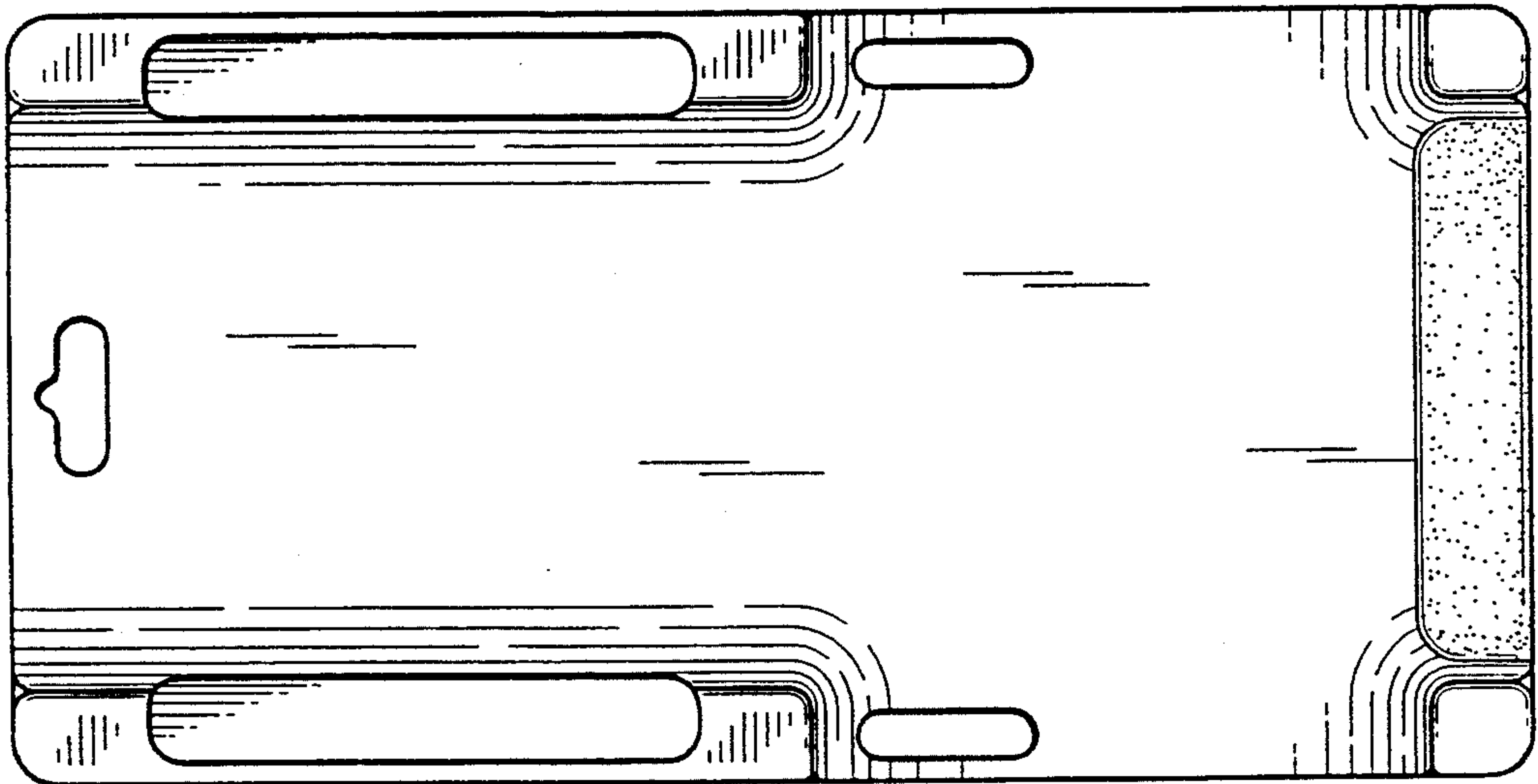


Fig. 3



Fig. 4

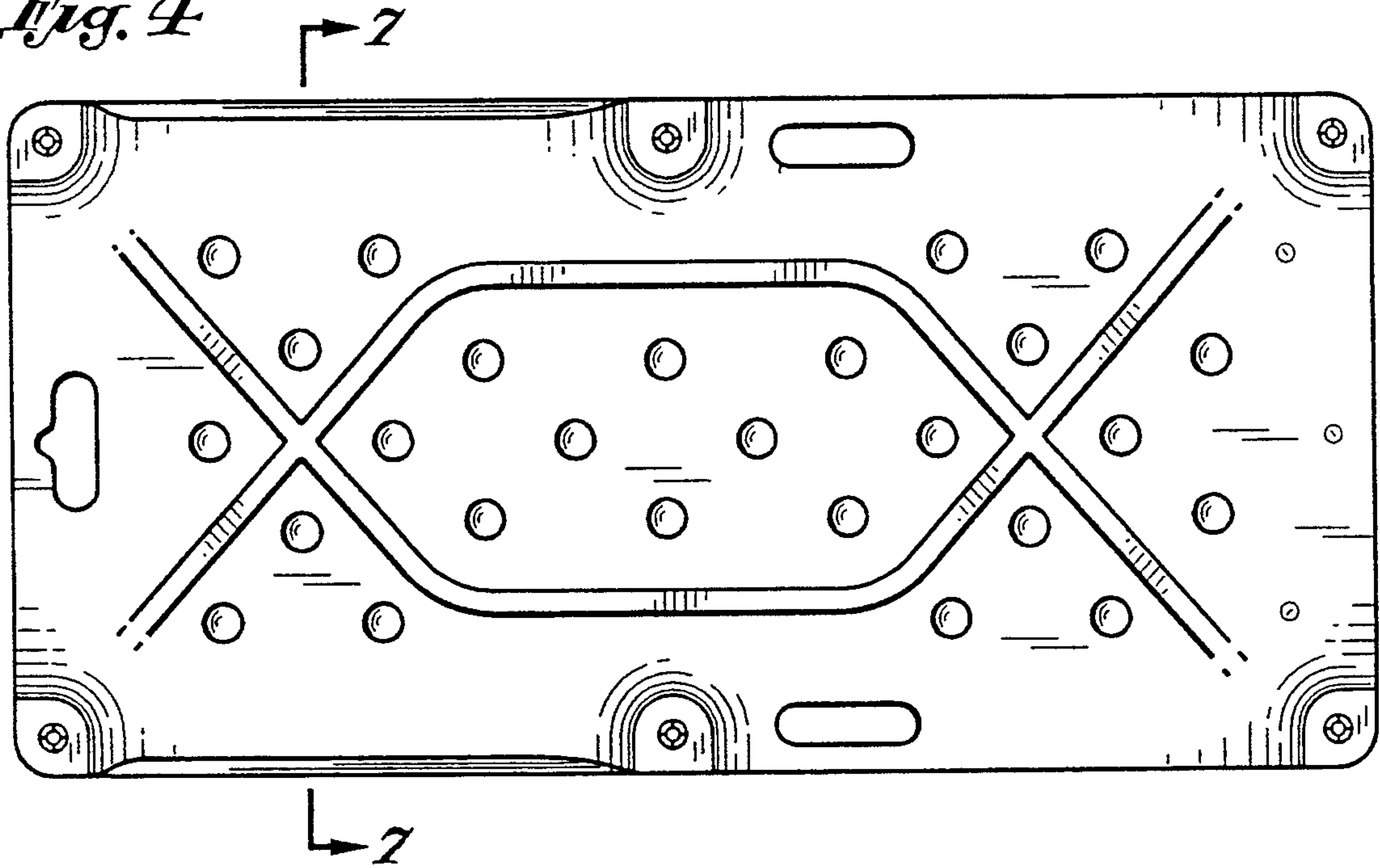


Fig. 5



Fig. 6

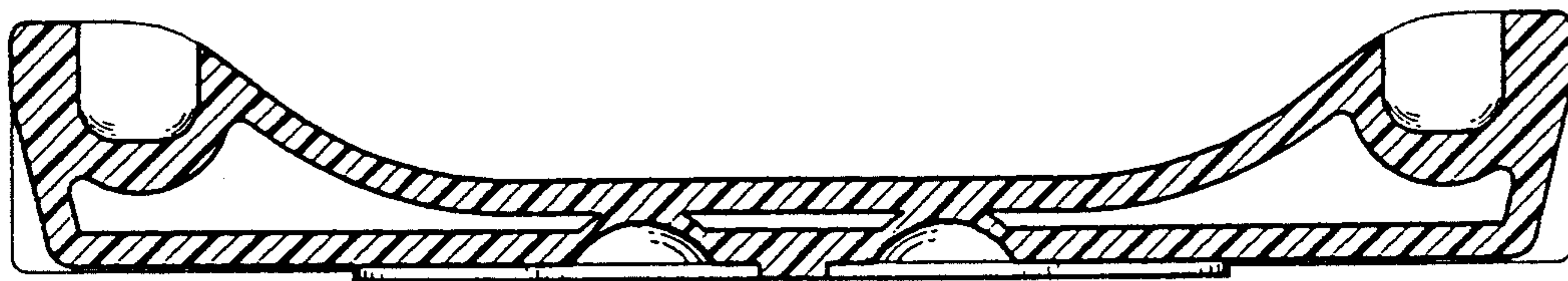


Fig. 7