



US00D351705S

United States Patent [19]

[11] Patent Number: **Des. 351,705**

Bird et al.

[45] Date of Patent: **** Oct. 18, 1994**

[54] **COMBINED DUST PAN AND TRASH CONTAINER LID**

| | | | |
|-----------|---------|---------|---------|
| 3,390,804 | 7/1968 | Morgan | 220/908 |
| 4,782,970 | 11/1988 | Edwards | 220/908 |
| 4,802,258 | 2/1989 | Jensen | 220/908 |
| 4,907,710 | 3/1990 | Bulkens | 220/902 |

[75] Inventors: **David A. Bird; Mitchell L. Wilgus,**
both of Akron, Ohio

OTHER PUBLICATIONS

[73] Assignee: **Rubbermaid Incorporated,** Wooster, Ohio

Catalog page, Trash containers; Tucker Housewares, 25 Tucker Drive, Leominster, Ma. 01469, Publication date Jan. 1983.

[**] Term: **14 Years**

P. 16, Refuse containers; Rubbermaid Commercial Products, Inc., 3124 Valley Avenue, Winchester, Va. 22601. Publication date 1992.

[21] Appl. No.: **17,424**

[22] Filed: **Jan. 13, 1994**

Primary Examiner—Wallace R. Burke

[52] U.S. Cl. **D34/11; D32/74**

Assistant Examiner—Robin V. Taylor

[58] **Field of Search** **D9/434, 435, 443;**
220/908-910, 200, 253, 254; **D34/1, 5, 6, 7, 9,**
10, 11; **D32/74**

Attorney, Agent, or Firm—Richard B. O'Planick; Lisa B. Riedesel

[56] **References Cited**

[57] **CLAIM**

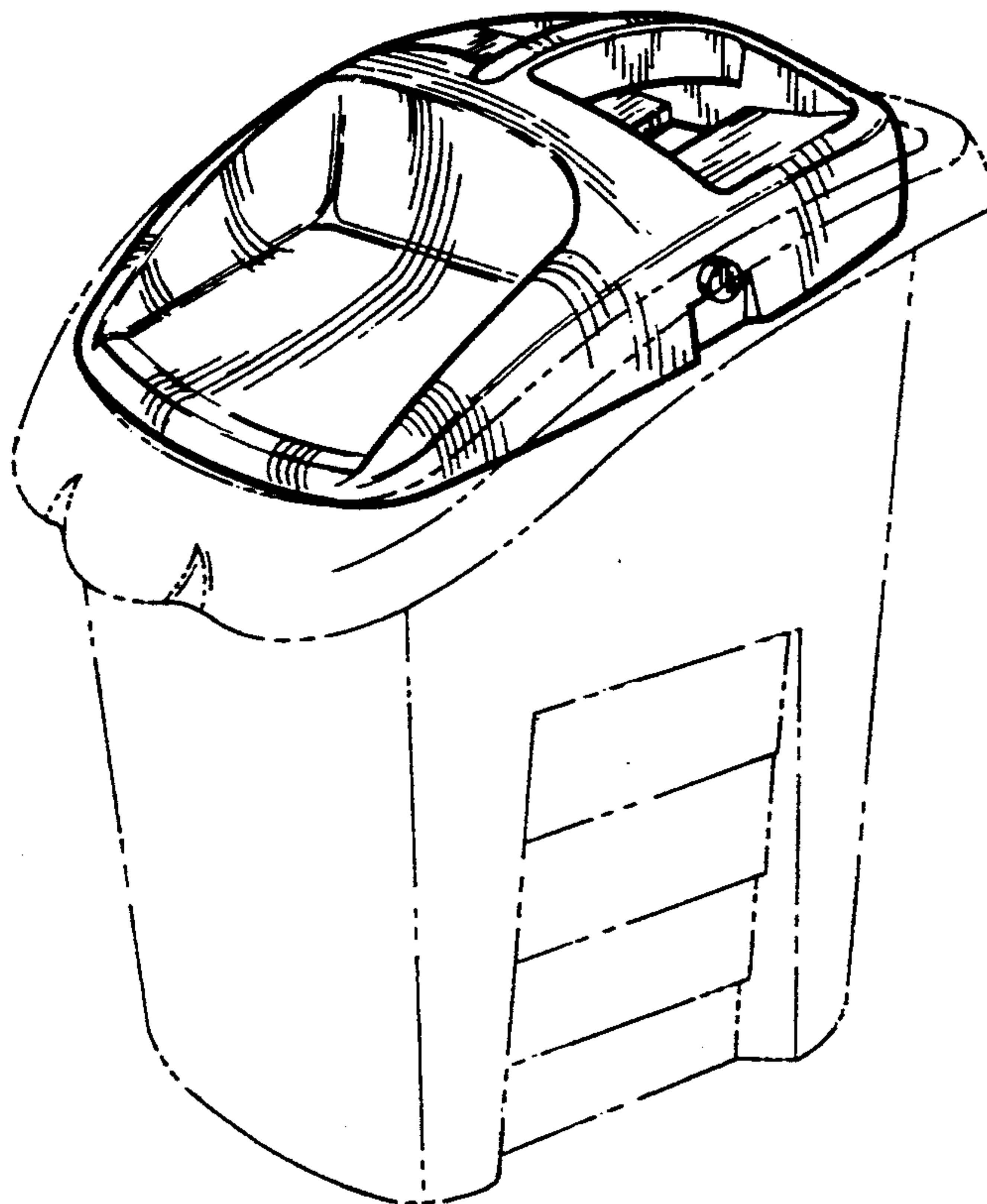
U.S. PATENT DOCUMENTS

The ornamental design for a combined dust pan and trash container lid, as shown and described.

| | | | |
|------------|---------|-----------------|--------|
| D. 217,498 | 5/1970 | Dilyard | D49/35 |
| D. 246,566 | 12/1977 | Skiver | D7/194 |
| D. 281,111 | 10/1985 | McClelland | D34/8 |
| D. 293,843 | 1/1988 | Kroll et al. | D34/8 |
| D. 297,875 | 9/1988 | Carville | D34/11 |
| D. 308,273 | 5/1990 | Hanna | D34/11 |
| D. 321,576 | 11/1991 | Hradisky | D34/8 |
| D. 322,350 | 12/1991 | Craft et al. | D34/9 |
| D. 326,343 | 5/1992 | Hradisky | D34/7 |
| D. 326,754 | 6/1992 | Hradisky | D34/7 |
| D. 335,562 | 5/1993 | Evans | D34/7 |
| 1,908,730 | 5/1933 | Caldwell et al. | |
| 3,083,859 | 4/1963 | Gardiner | 220/30 |

DESCRIPTION

FIG. 1 is a top right front perspective view of a combined dust pan and trash container lid showing our new design. The broken lines are for illustrative purposes only and form no part of the claimed design;
FIG. 2 is a top plan view thereof;
FIG. 3 is a bottom plan view thereof;
FIG. 4 is a left side elevational view thereof, the right side elevational view being a mirror image;
FIG. 5 is a front elevational view thereof; and,
FIG. 6 is a rear elevational view thereof.



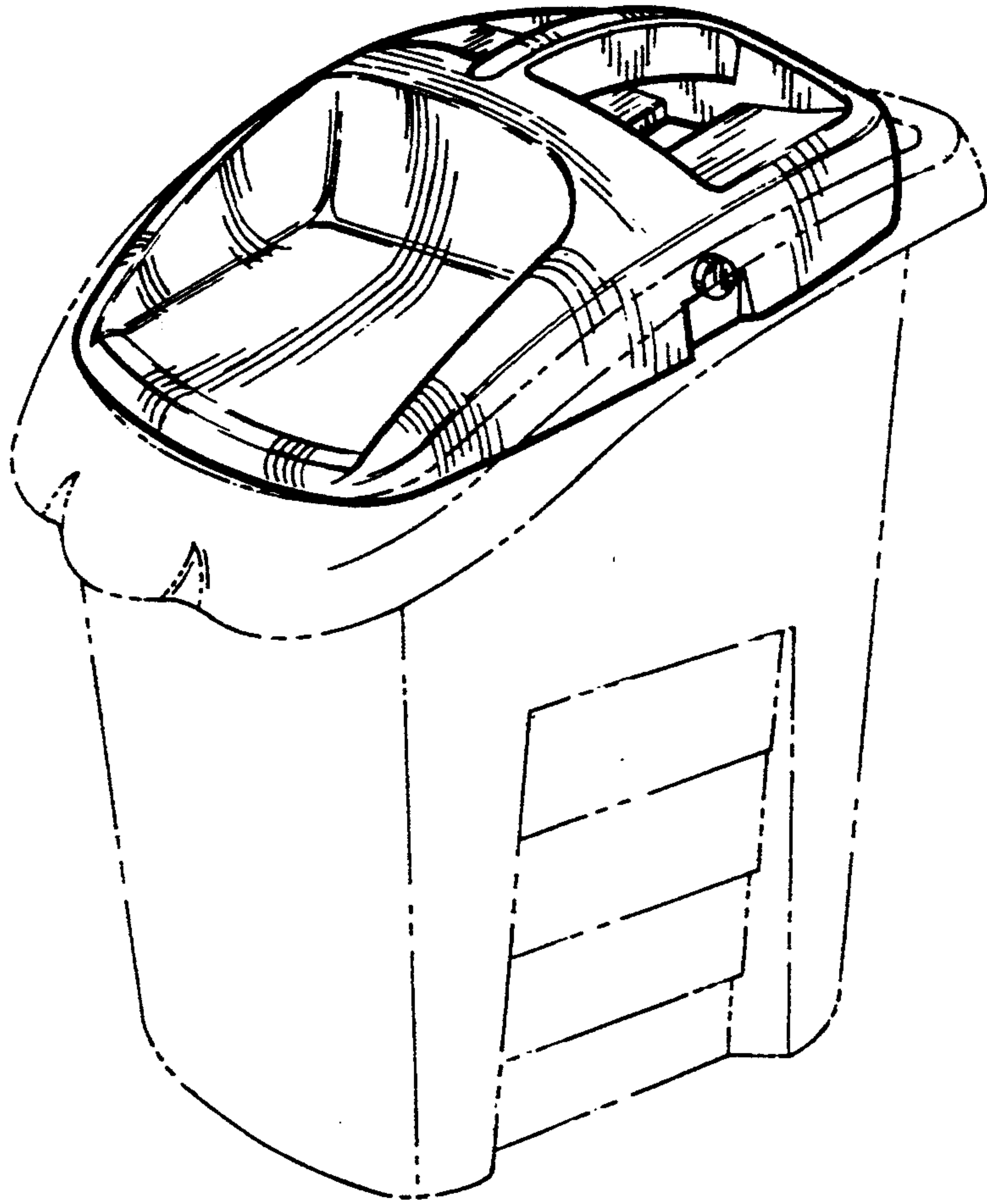


Fig-1

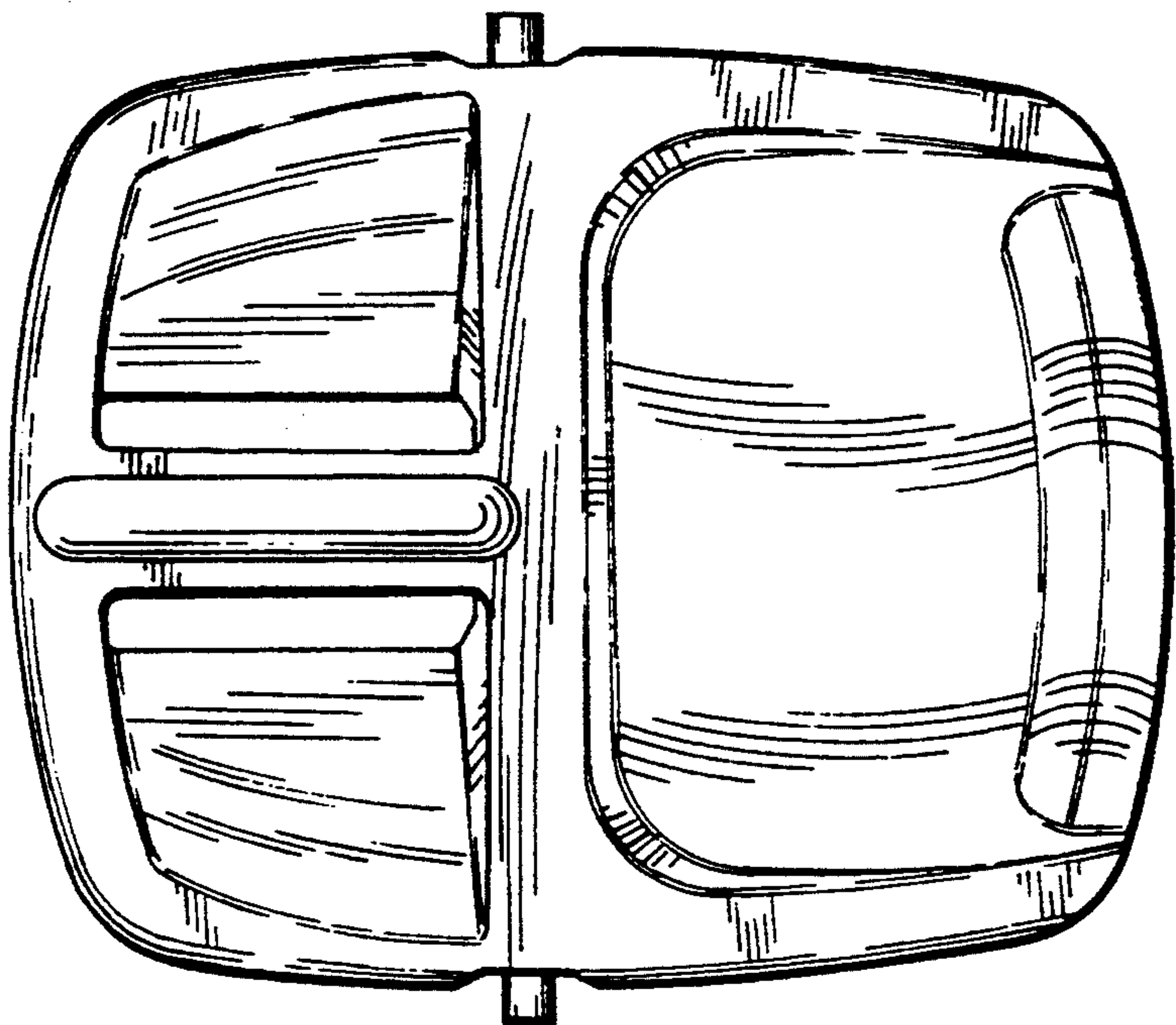


Fig-2

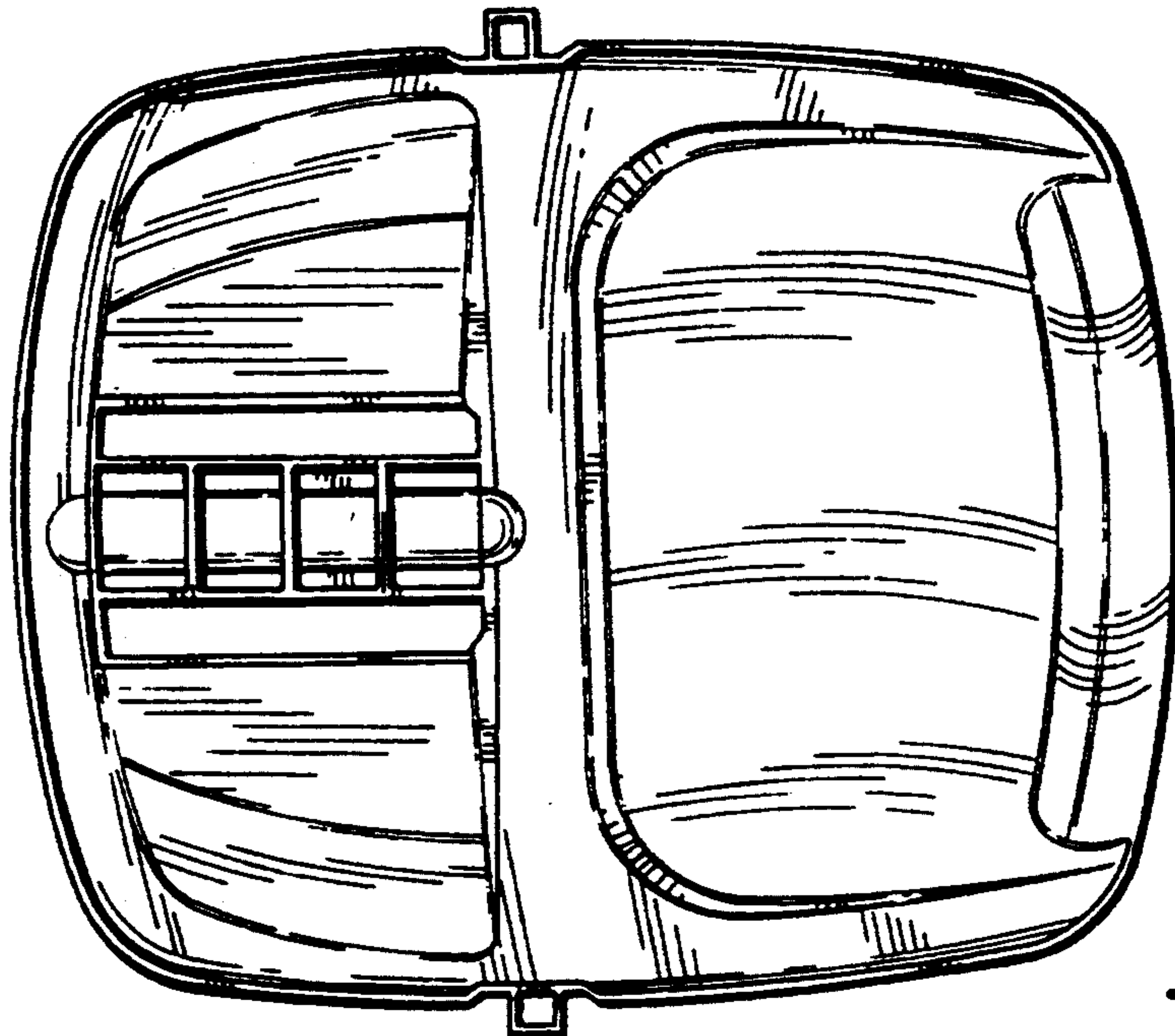


Fig-3

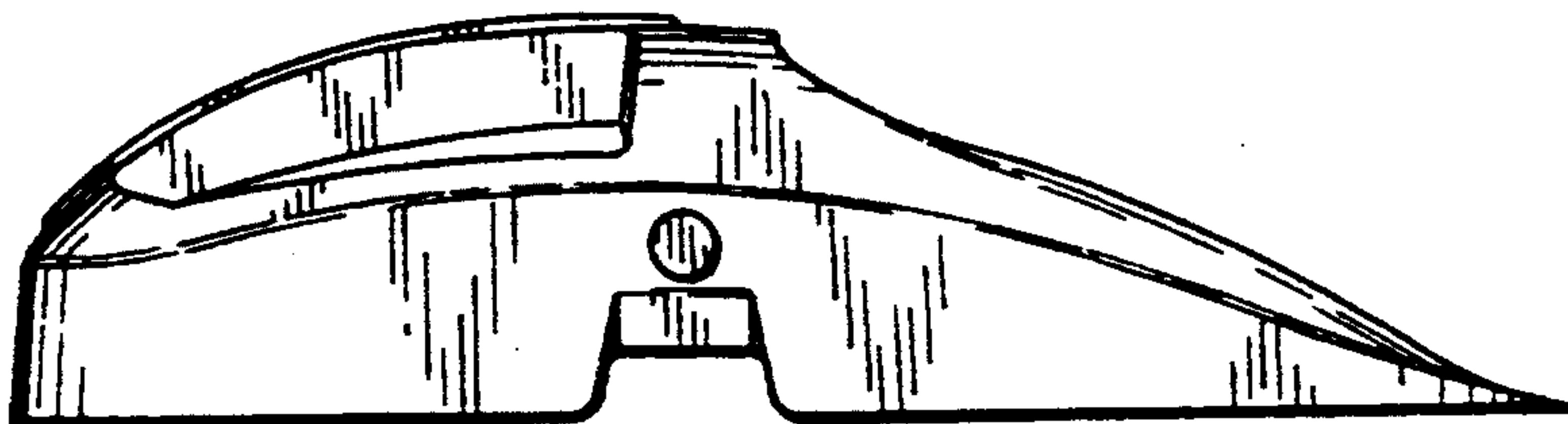


Fig-4

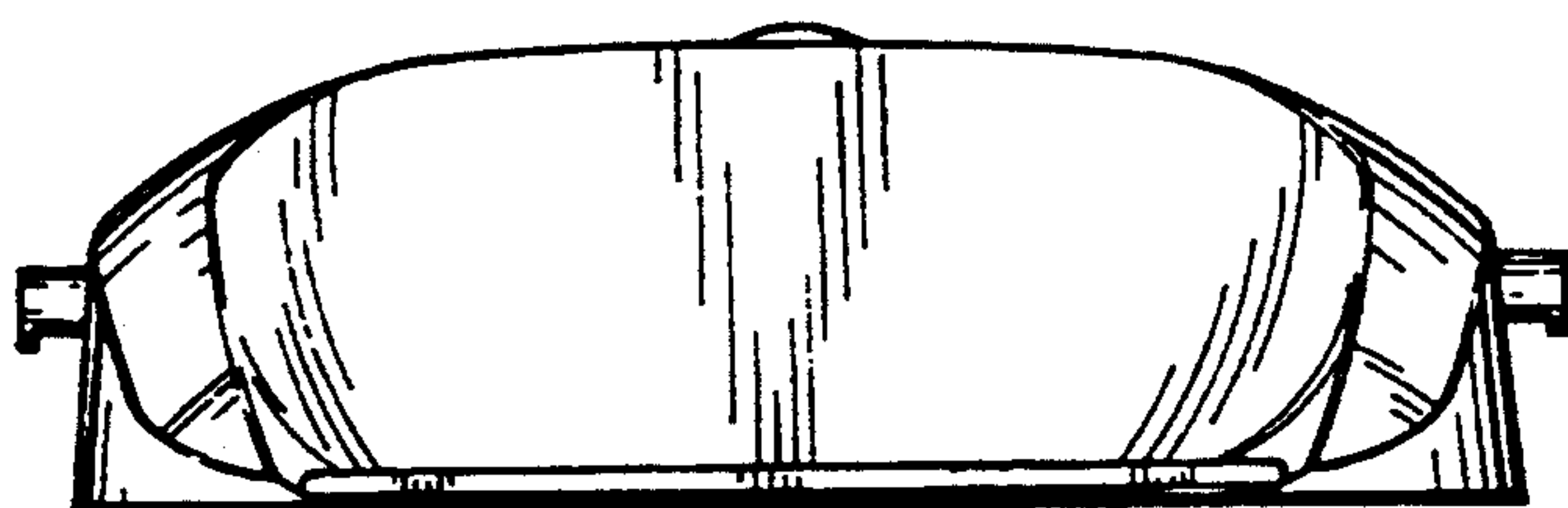


Fig-5

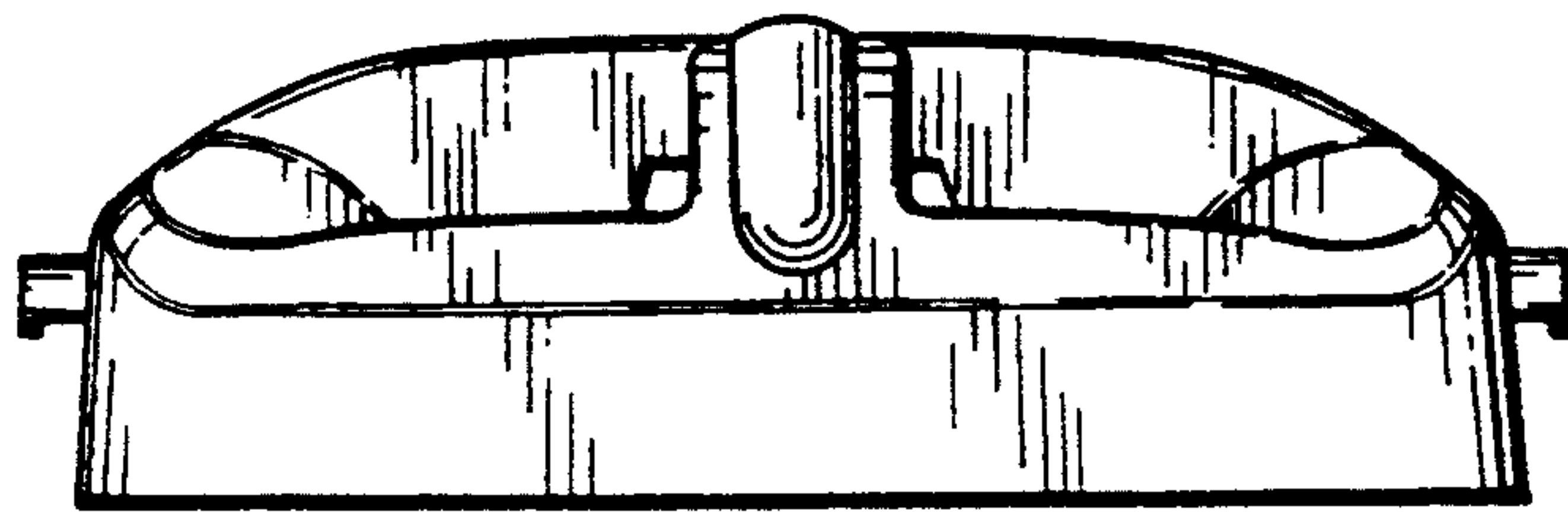


Fig-6