



US00D351701S

# United States Patent [19]

Sawatsky

[11] Patent Number: **Des. 351,701**

[45] Date of Patent: **\*\* Oct. 18, 1994**

[54] **COMPOST PAIL**

[76] Inventor: **Kim R. Sawatsky**, 13014 Dixie Road, Brampton, Ontario, Canada, L6T 3S1

[\*\*] Term: **14 Years**

[21] Appl. No.: **7,399**

[22] Filed: **Apr. 23, 1993**

[52] U.S. Cl. .... **D34/7**

[58] Field of Search ..... 220/675, 908-911, 220/DIG. 12, DIG. 14, 500, 553, 555; 232/1 E, 1 B, 43.2; D34/1, 5, 6, 7, 10, 11

[56] **References Cited**

**U.S. PATENT DOCUMENTS**

- D. 236,578 9/1975 Powell ..... D32/53
- D. 332,849 1/1993 Hines ..... D34/1
- D. 336,243 6/1993 Evans ..... D34/7
- 511,156 12/1893 Newton ..... 220/908
- 1,441,040 1/1923 Stephenson .

- 1,875,813 10/1927 Kaplan et al. .... 220/908
- 2,470,432 5/1949 Cusick ..... D32/53

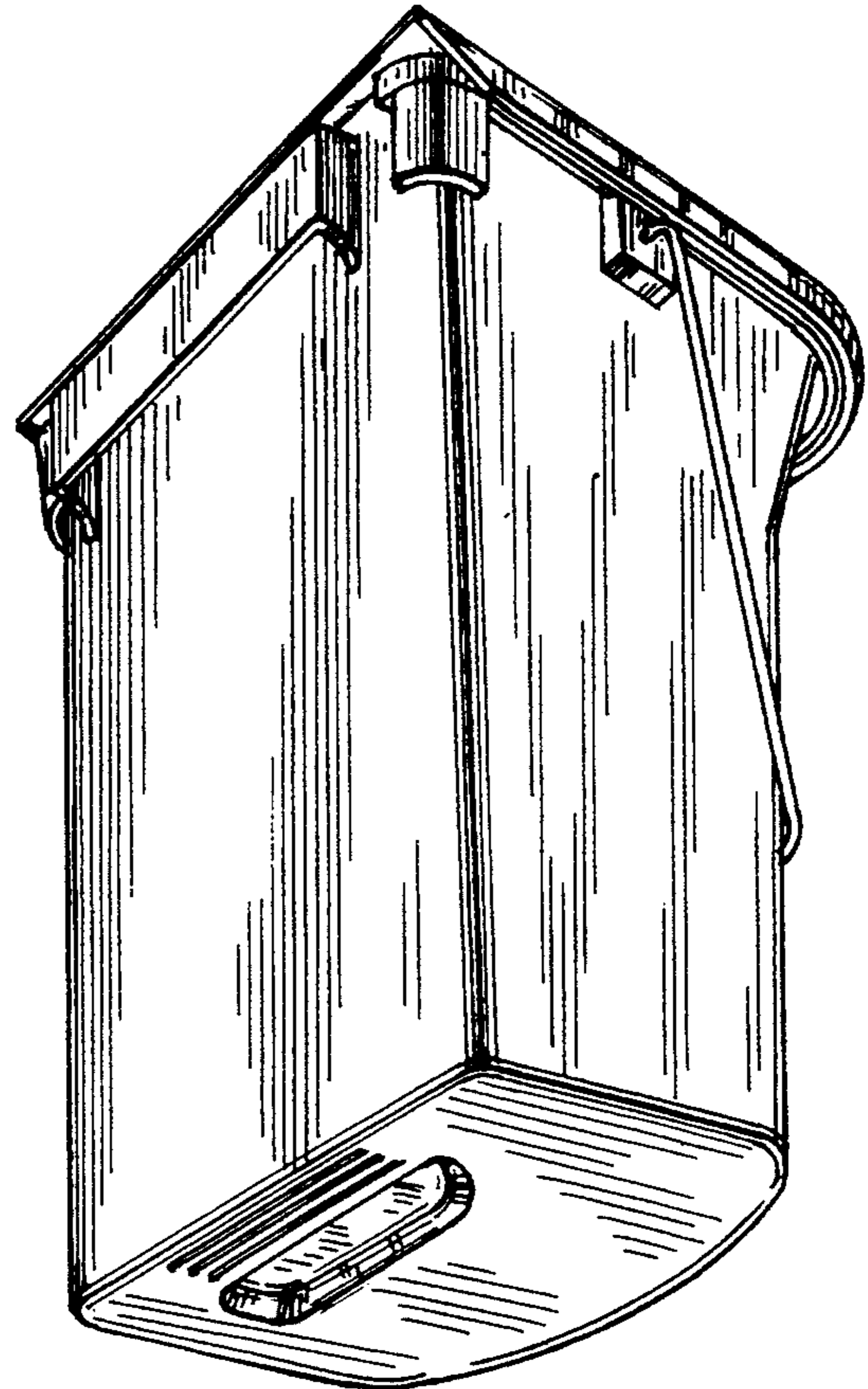
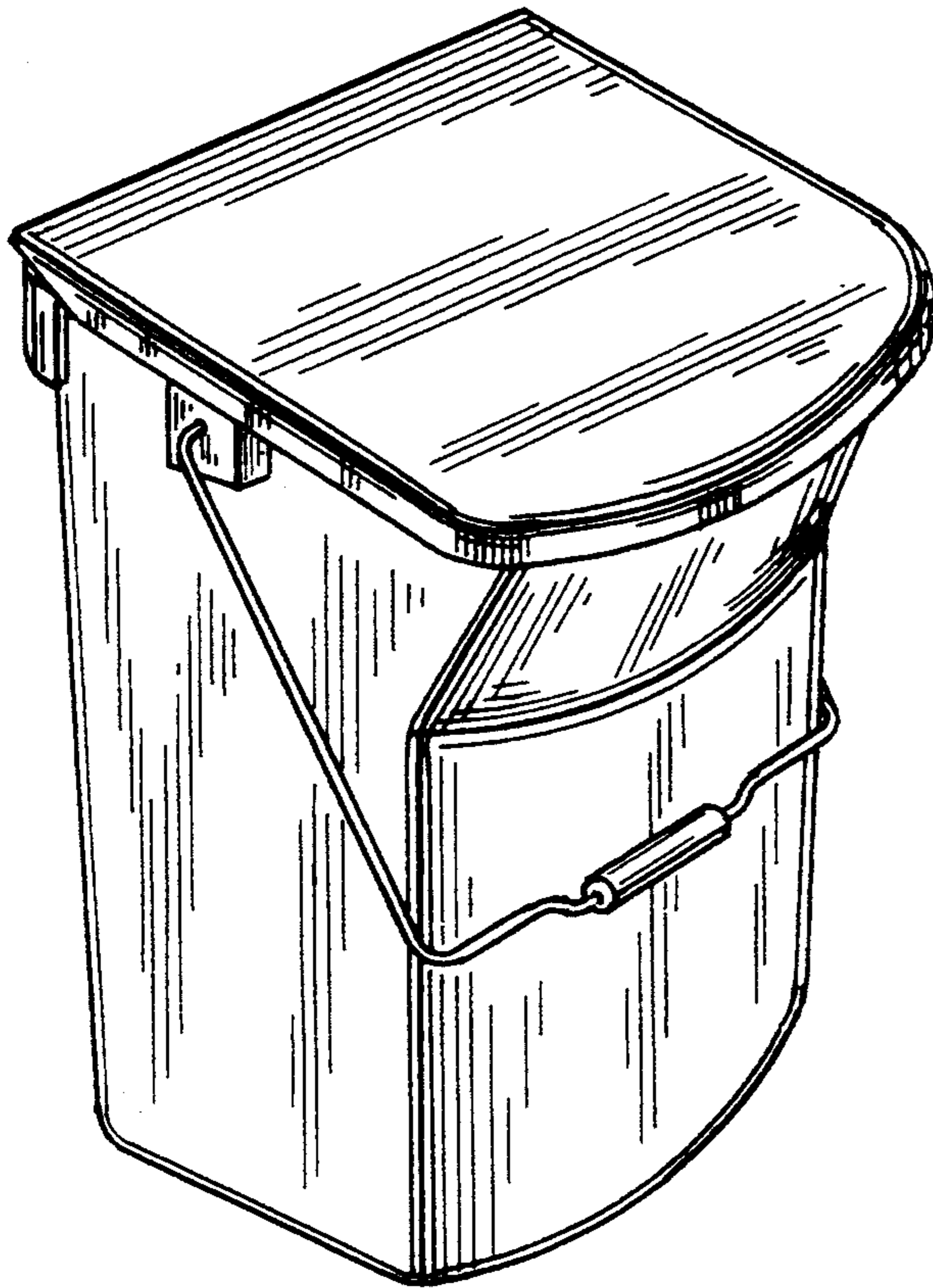
*Primary Examiner*—Wallace R. Burke  
*Assistant Examiner*—Robin V. Taylor  
*Attorney, Agent, or Firm*—Dowell & Dowell

[57] **CLAIM**

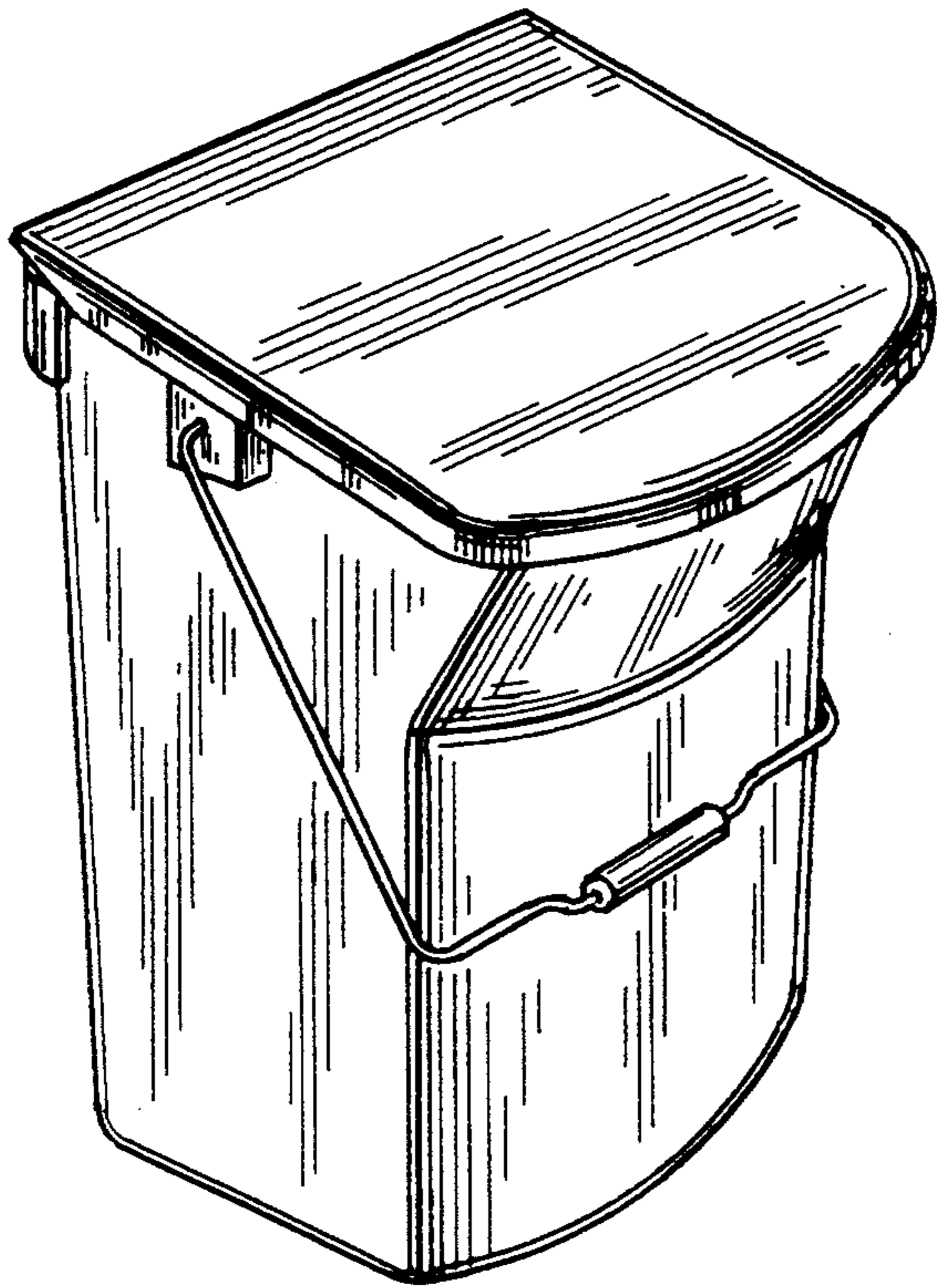
The ornamental design for compost pail, as shown and described.

**DESCRIPTION**

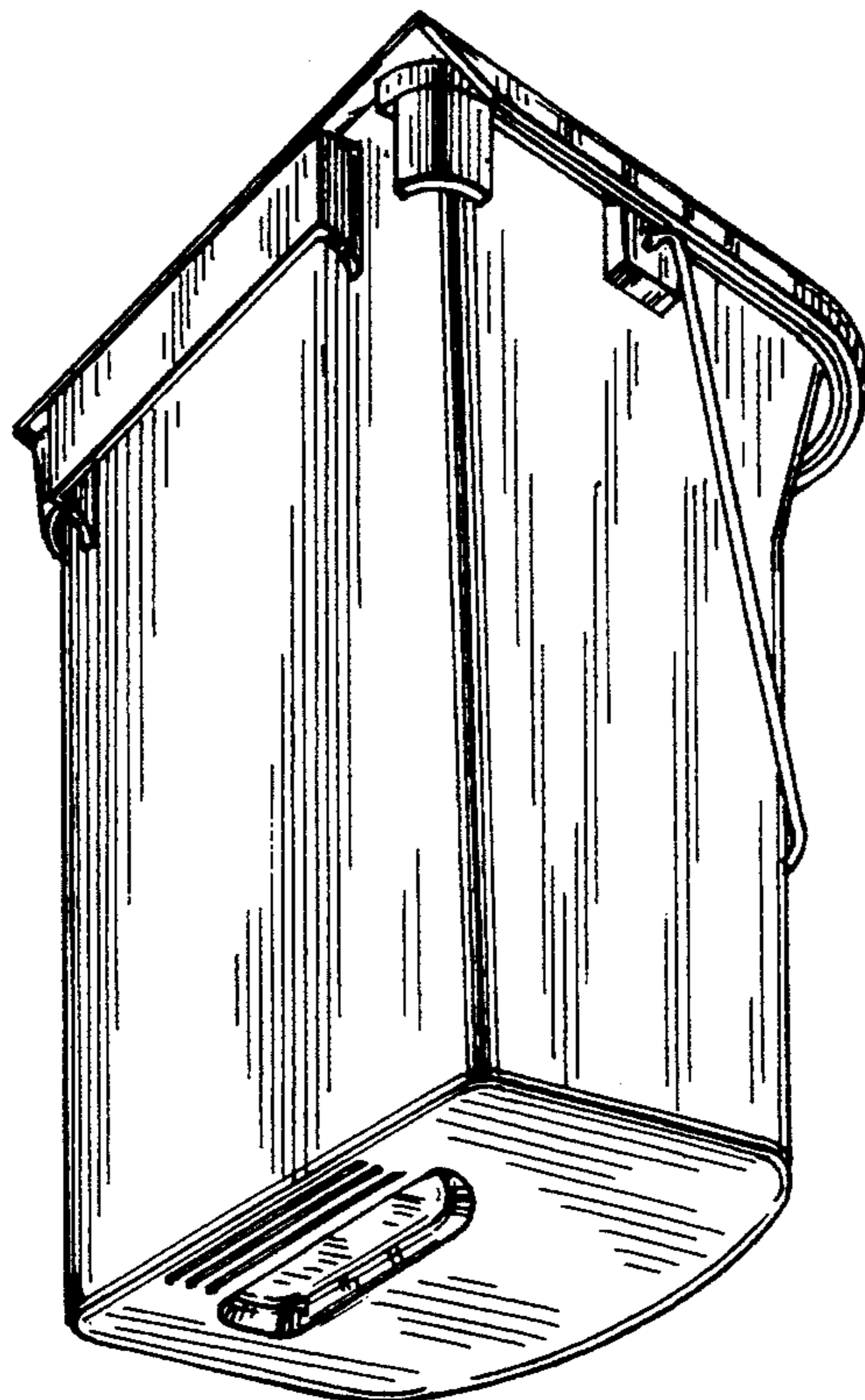
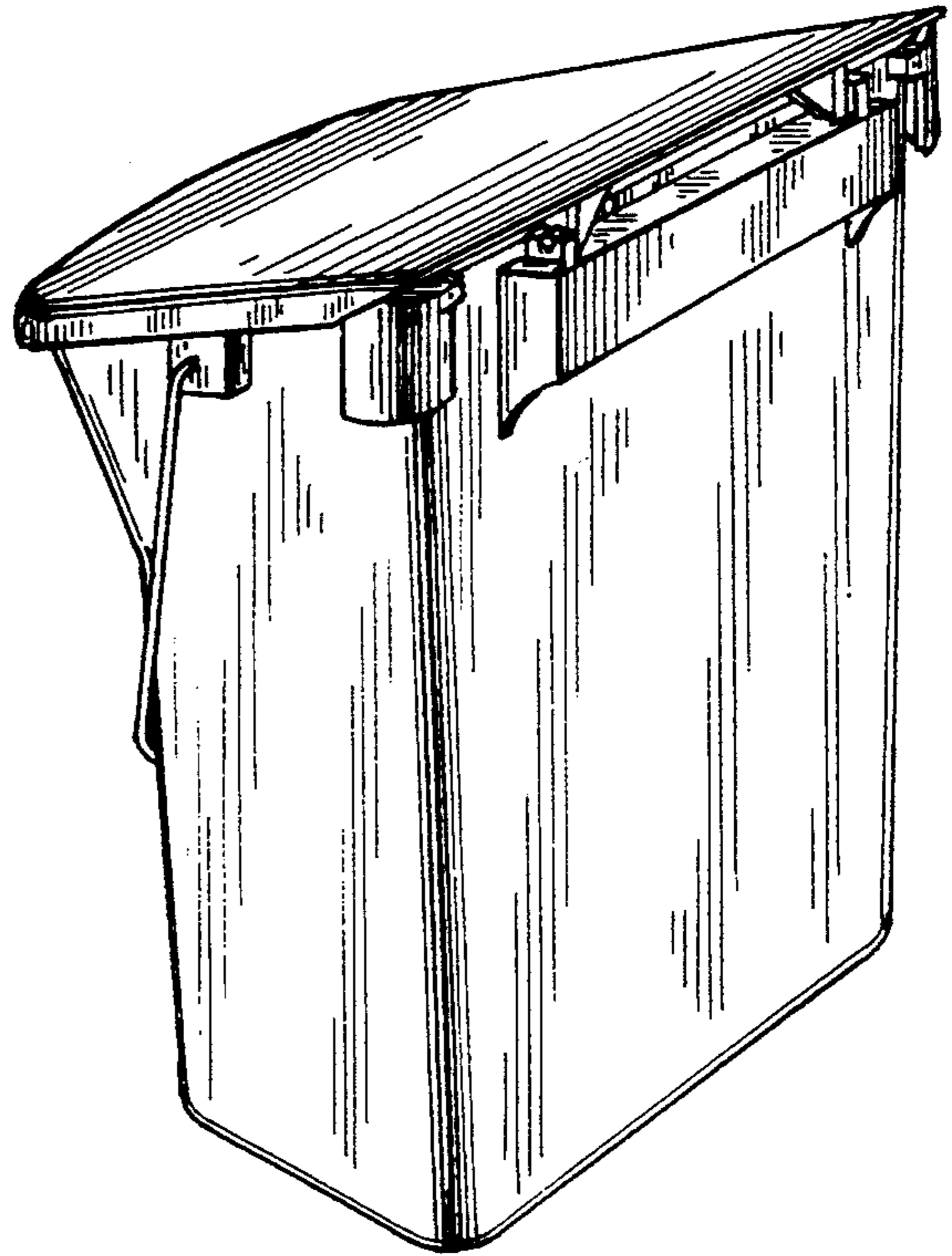
FIG. 1 is a front perspective view of a composite pail showing my new design;  
FIG. 2 is a rear perspective view thereof;  
FIG. 3 is a bottom rear perspective view thereof;  
FIG. 4 is a front plan view thereof;  
FIG. 5 is a right side elevational view thereof, a view taken from the left side being a mirror image;  
FIG. 6 is a rear plan view thereof; and,  
FIG. 7 is a partial section taken along lines 7—7 of FIG. 6.



*Fig. 1*

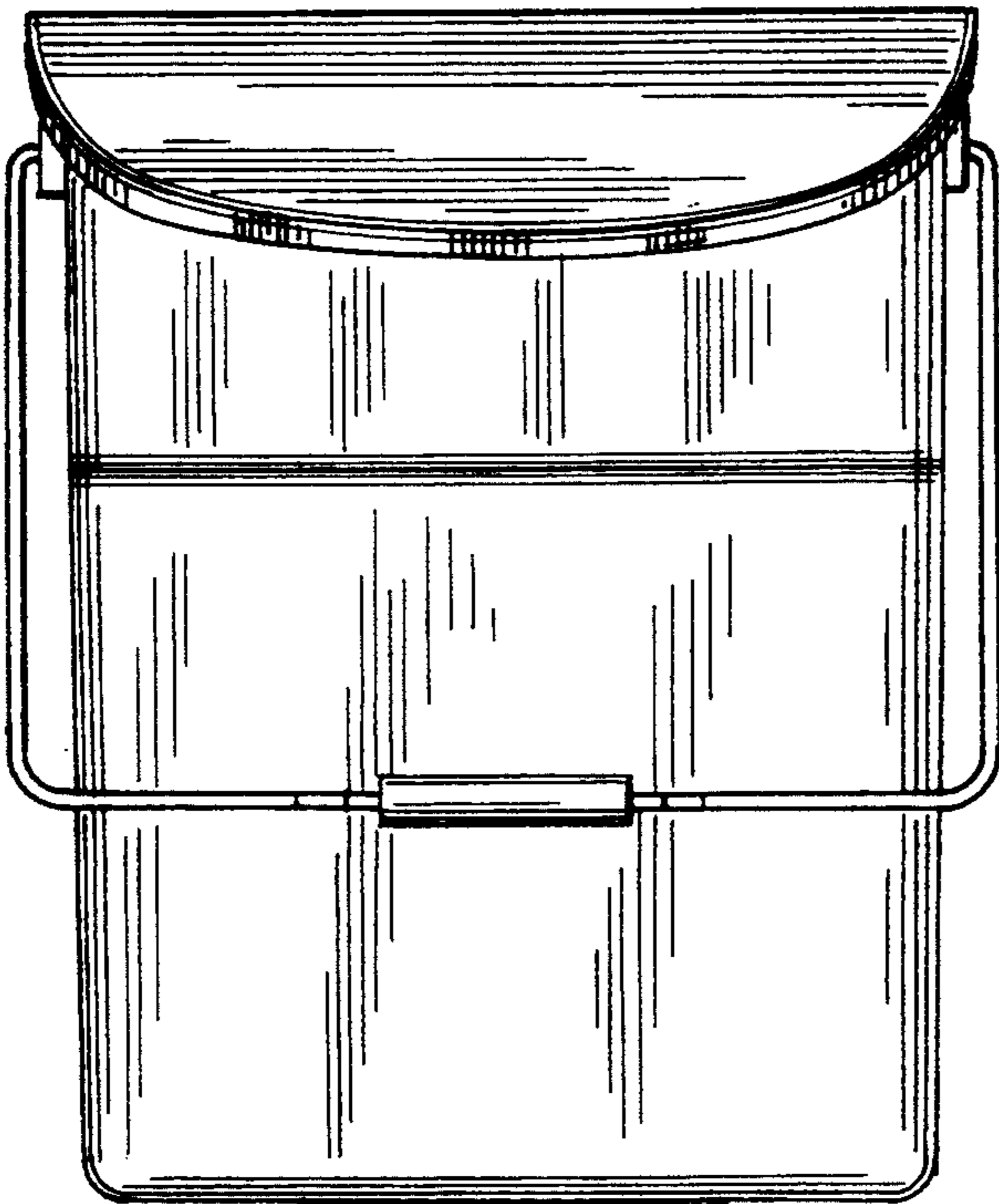


*Fig. 2*

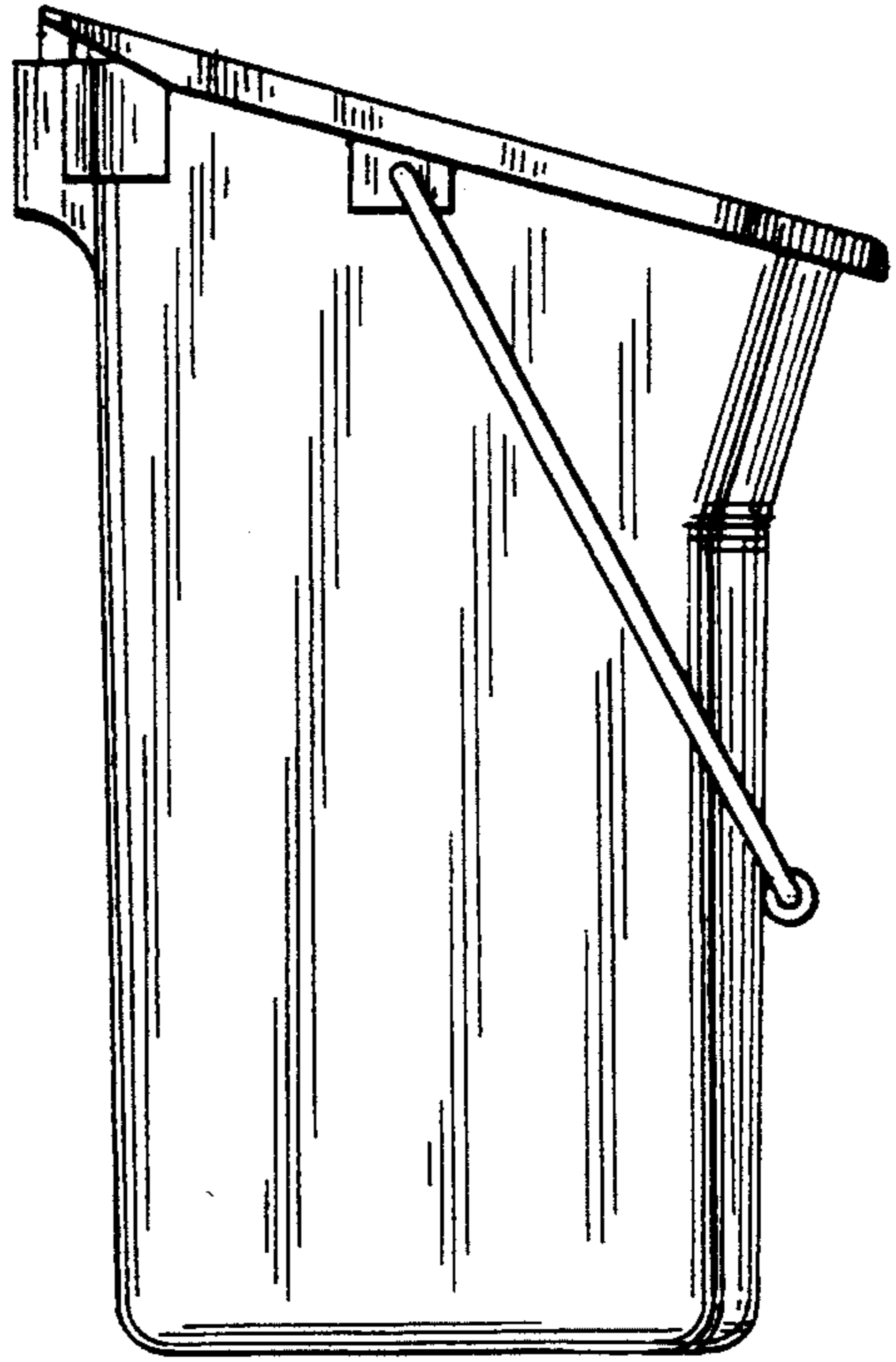


*Fig. 3*

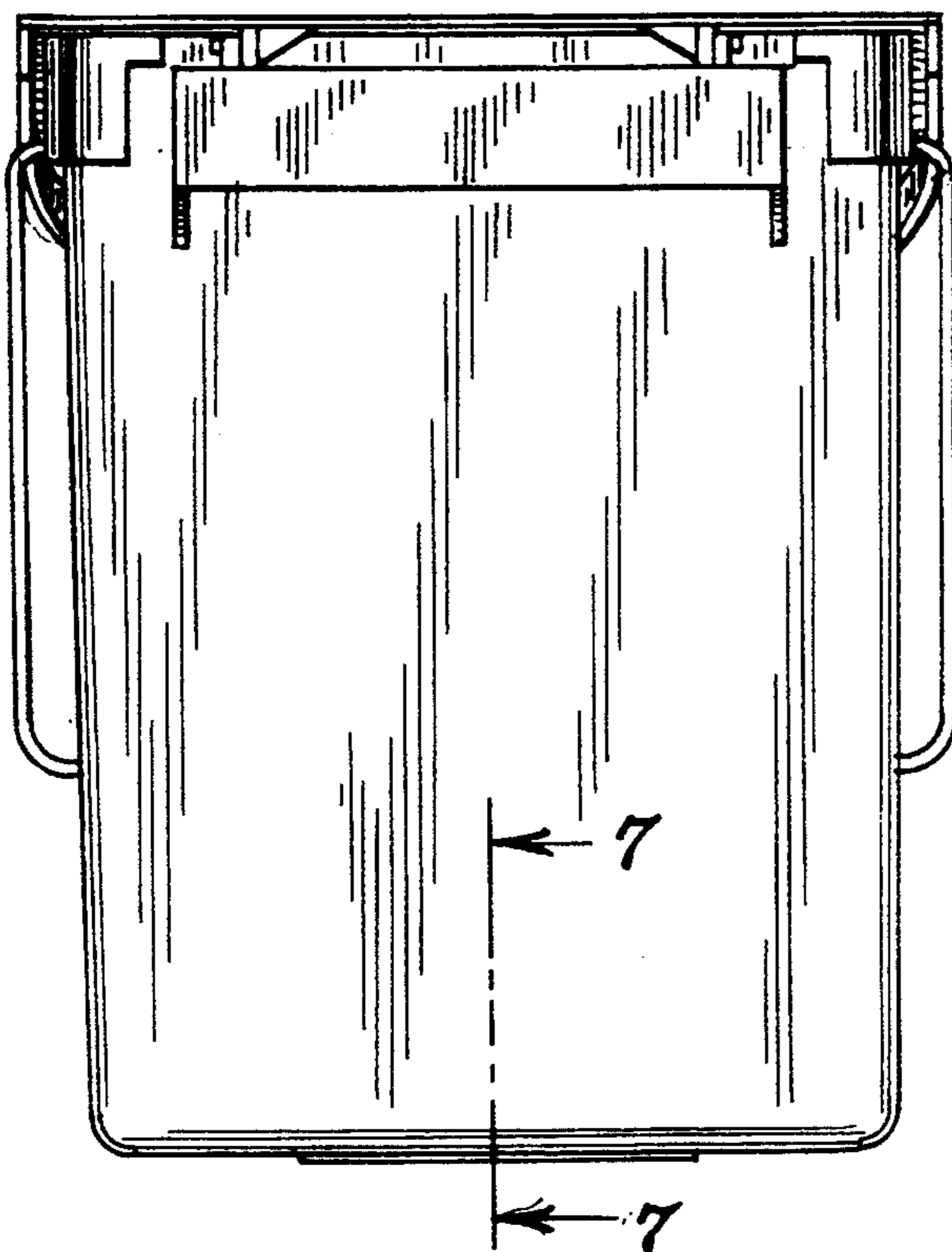
*Fig. 4*



*Fig. 5*



*Fig. 6*



*Fig. 7*

