



US00D351700S

# United States Patent [19]

Uzelman

[11] Patent Number: **Des. 351,700**

[45] Date of Patent: **\*\* Oct. 18, 1994**

[54] **MOBILE GARBAGE BAG SUPPORT**

[76] Inventor: **Melvin Uzelman**, 1321 - 30 Street  
South, Lethbridge, Alberta, Canada,  
T1K 2Z1

[\*\*] Term: **14 Years**

[21] Appl. No.: **18,458**

[22] Filed: **Feb. 7, 1994**

[52] U.S. Cl. .... **D34/5; D34/24**

[58] Field of Search ..... 248/95, 97, 98, 99,  
248/907, 129, 133; D34/1, 5, 6, 7, 24

[56] **References Cited**

**U.S. PATENT DOCUMENTS**

D. 157,589 3/1950 Hartenbach ..... D34/24  
D. 271,718 12/1983 Johno ..... D34/6

3,188,109 6/1965 Broadrick ..... D34/5  
3,754,771 8/1973 Shagoury ..... 248/98  
3,893,699 7/1975 Morris ..... 248/98  
4,124,185 11/1978 Preisinger ..... 248/98  
4,452,468 6/1984 Eads et al. .... 248/98

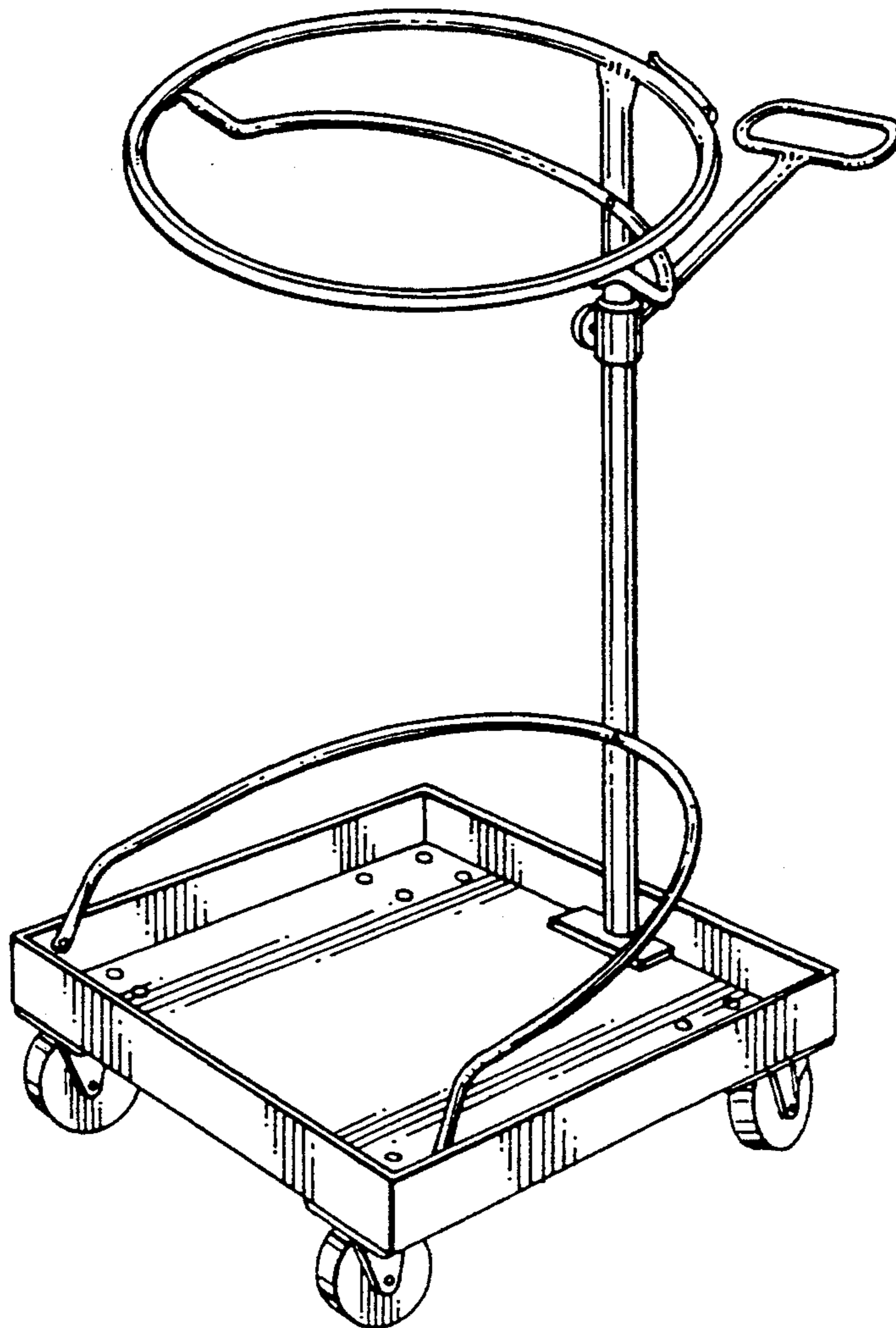
*Primary Examiner*—Wallace R. Burke  
*Assistant Examiner*—Robin V. Taylor  
*Attorney, Agent, or Firm*—George H. Dunsmuir

[57] **CLAIM**

The ornamental design for a mobile garbage bag support, as shown and described.

**DESCRIPTION**

FIG. 1 is a side perspective view of a mobile garbage bag support showing my new design; FIG. 2 is a bottom plan view thereof; FIG. 3 is a top plan view thereof; and, FIG. 4 is a front perspective view thereof.



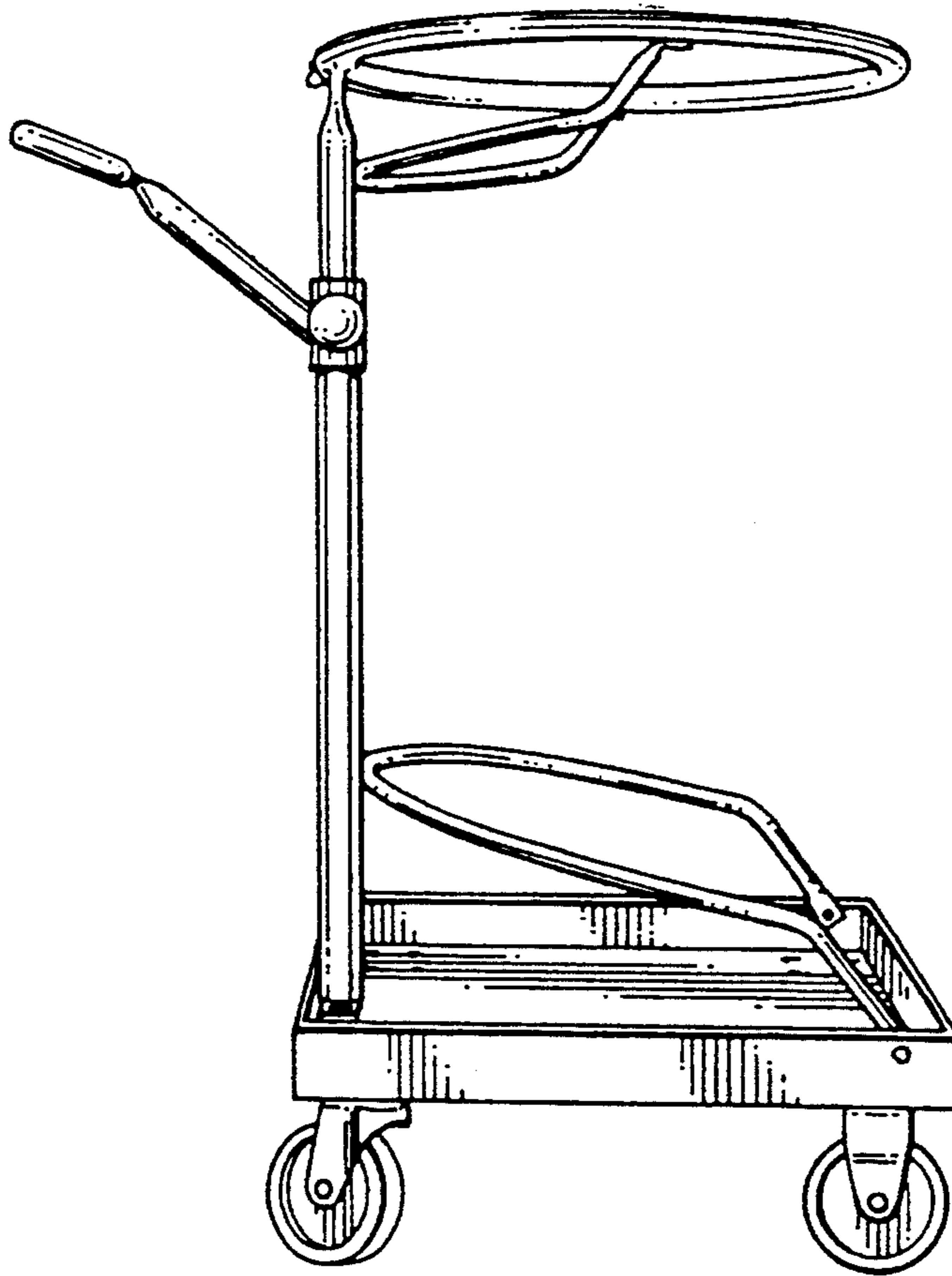


FIG 1

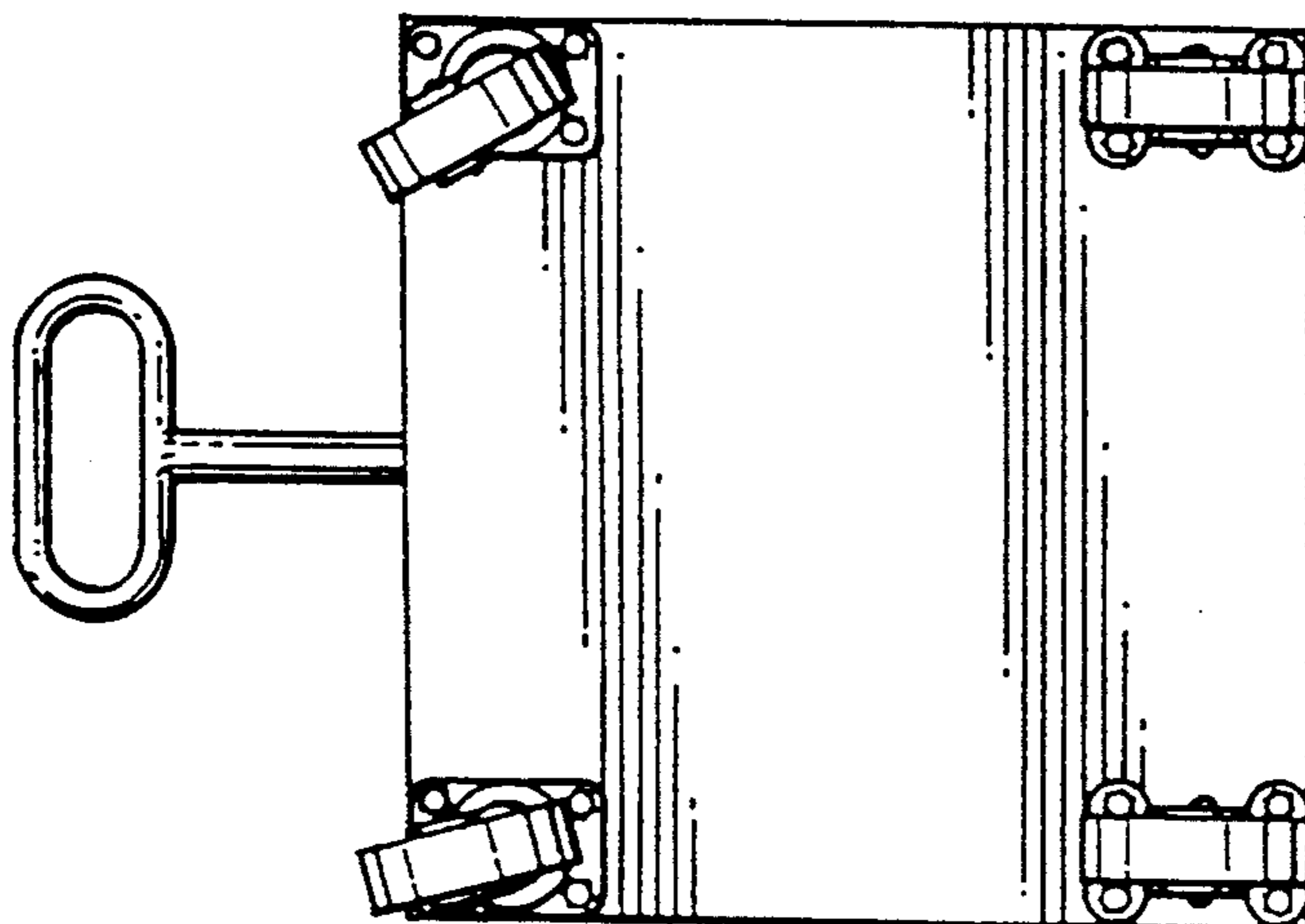


FIG 2

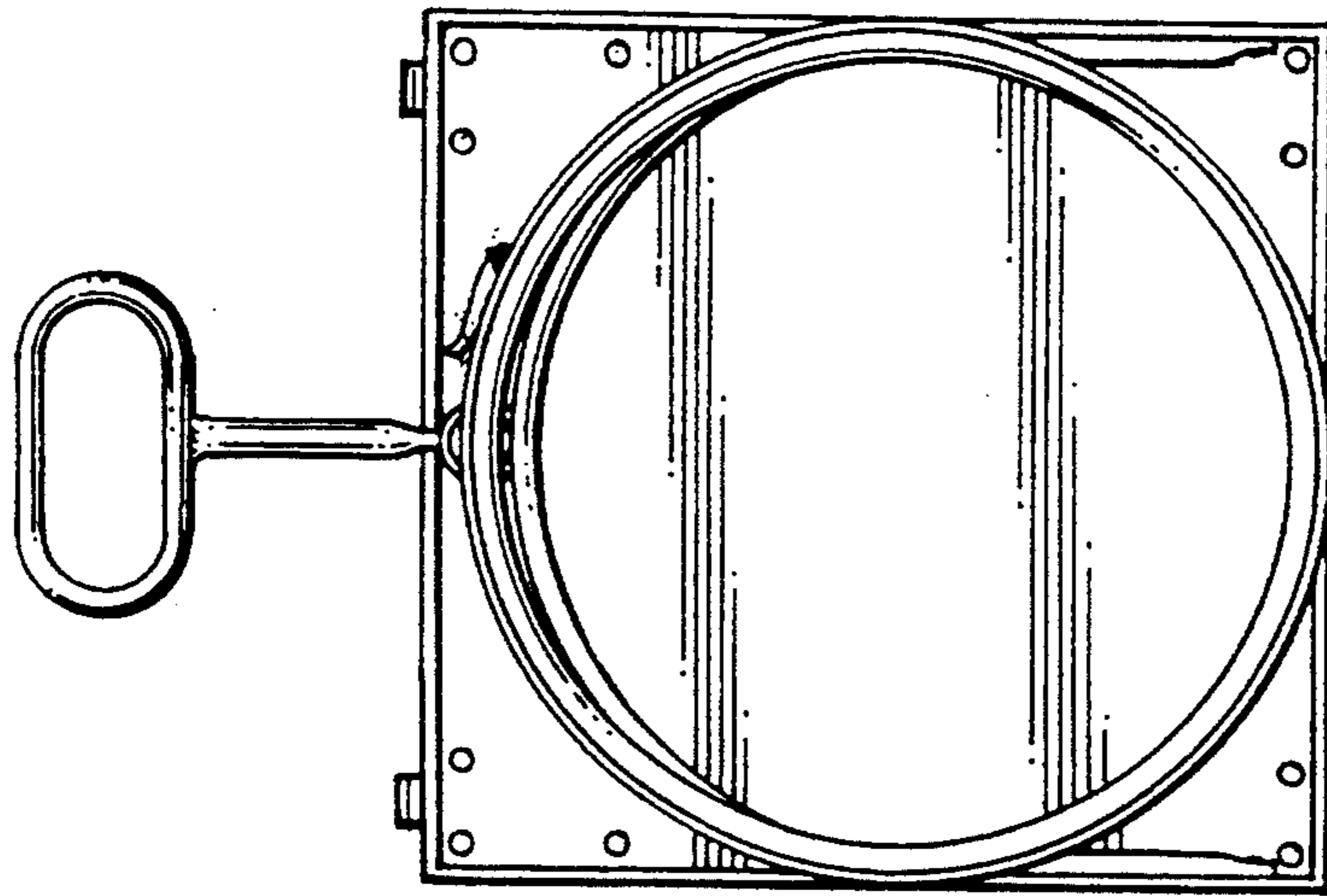


FIG 3

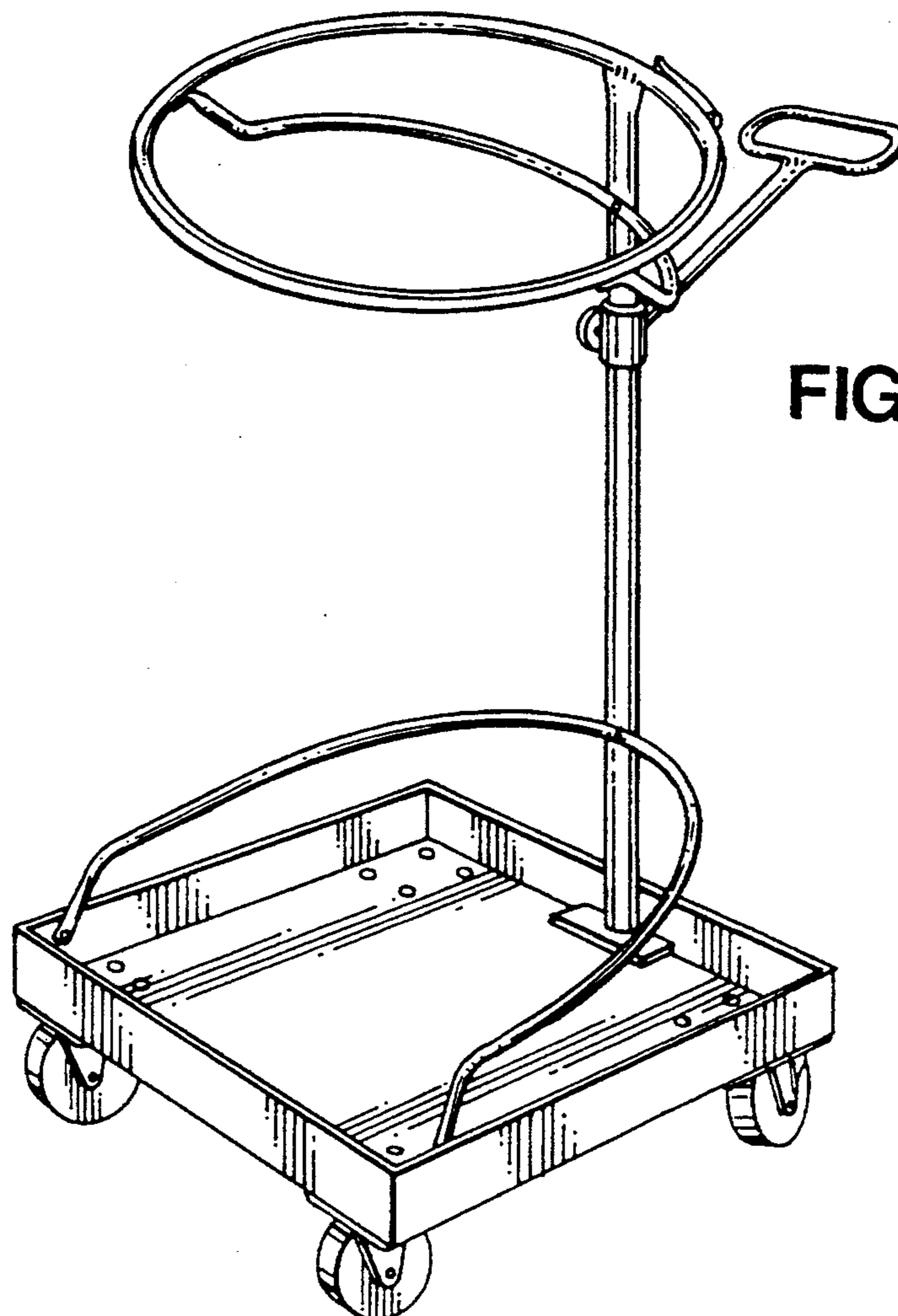


FIG 4