



US00D351698S

# United States Patent [19]

[11] Patent Number: **Des. 351,698**

**Brüssing**

[45] Date of Patent: **\*\* Oct. 18, 1994**

[54] **COMPARTMENTALIZED TRASH RECEPTACLE**

[75] Inventor: **Bernd Brüssing**, Ulm/Donau, Fed. Rep. of Germany

[73] Assignee: **Helit Innovative Büroprodukte**, Kierspe, Fed. Rep. of Germany

[\*\*] Term: **14 Years**

[21] Appl. No.: **8,461**

[22] Filed: **May 5, 1993**

[30] **Foreign Application Priority Data**

Nov. 26, 1992 [DE] Fed. Rep. of Germany ..... M9208806.6

[52] U.S. Cl. .... **D34/1; D34/7**

[58] Field of Search ..... 220/675, 908, 909-911, 220/DIG. 12, DIG. 14, 500, 553, 555; 232/1 E, 1 B, 43.2; 220/23.2, 23.4, 400-404; D34/1, 6, 5, 7, 10, 11

[56] **References Cited**

**U.S. PATENT DOCUMENTS**

D. 214,644 7/1969 Maris ..... D34/5  
D. 332,850 1/1993 Brüssing ..... D34/1

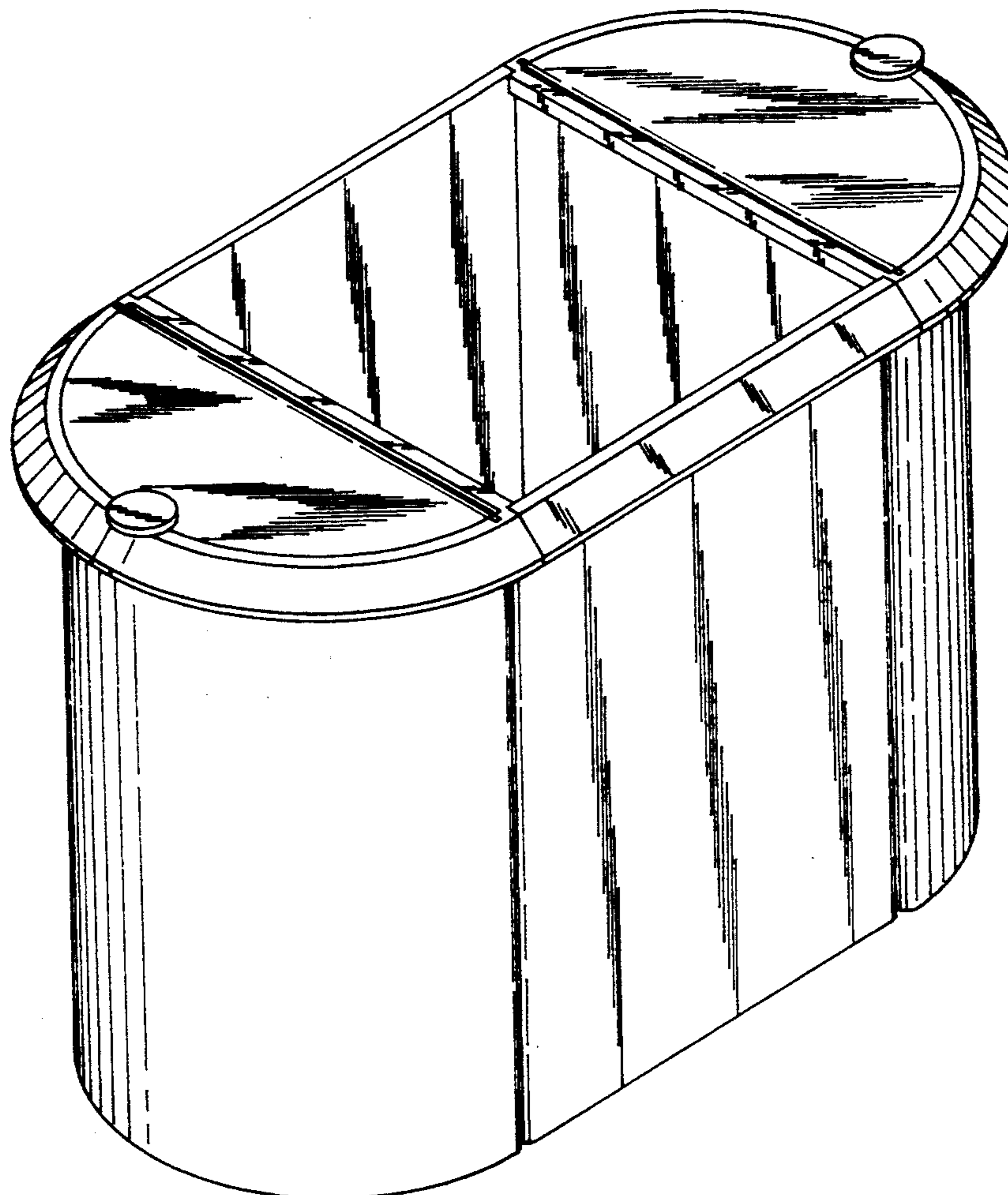
*Primary Examiner*—Wallace R. Burke  
*Assistant Examiner*—Robin V. Taylor  
*Attorney, Agent, or Firm*—Herbert Dubno; Ronald Lianides

[57] **CLAIM**

The ornamental design for a compartmentalized trash receptacle, as shown and described.

**DESCRIPTION**

FIG. 1 is a front and left side upper perspective view of a compartmentalized trash receptacle showing my new design;  
FIG. 2 is a rear elevational view thereof, the front being identical;  
FIG. 3 is a right side elevational view thereof, the left side being identical;  
FIG. 4 is a top plan view thereof; and,  
FIG. 5 is a bottom plan view thereof.



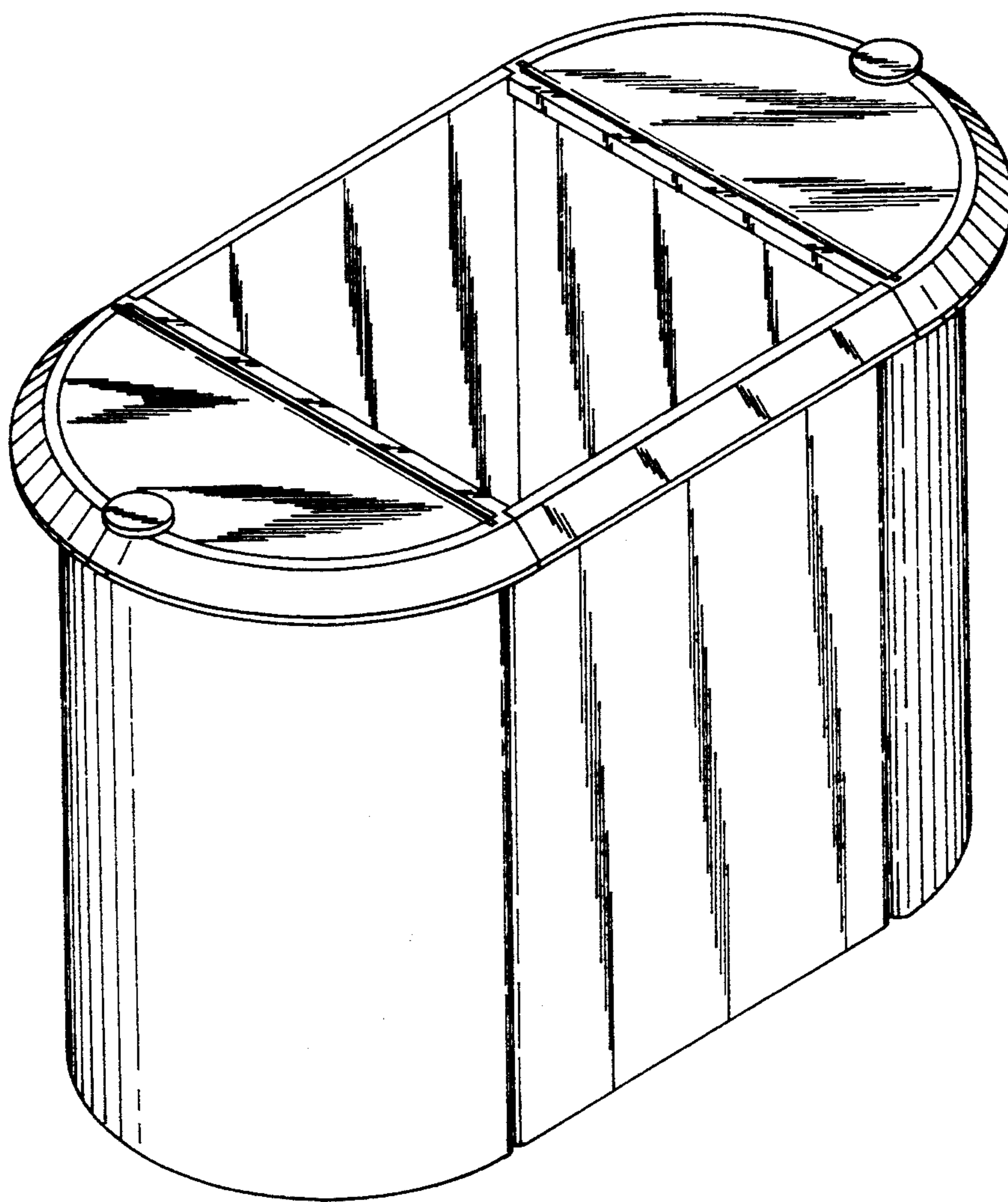


FIG. 1

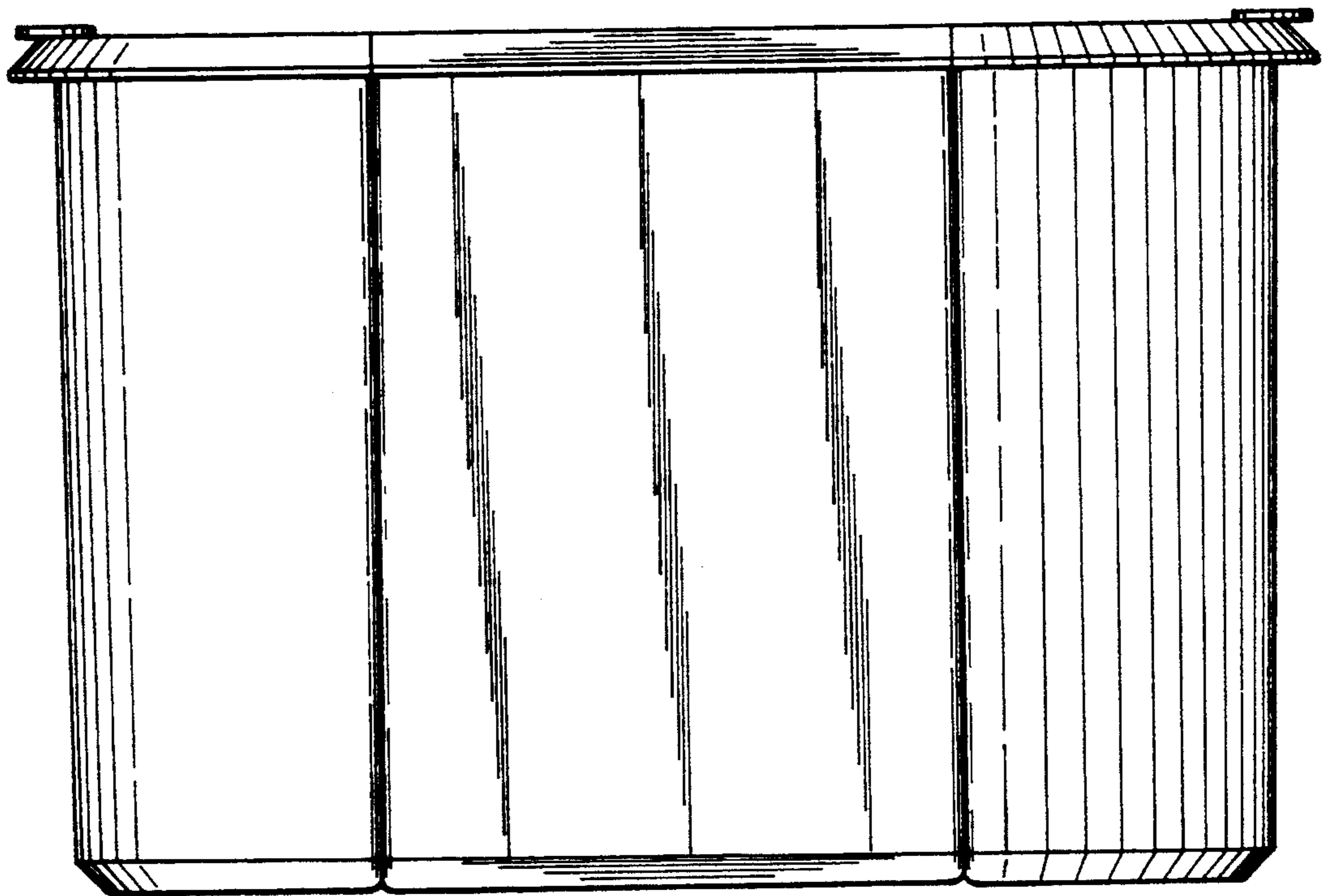


FIG. 2

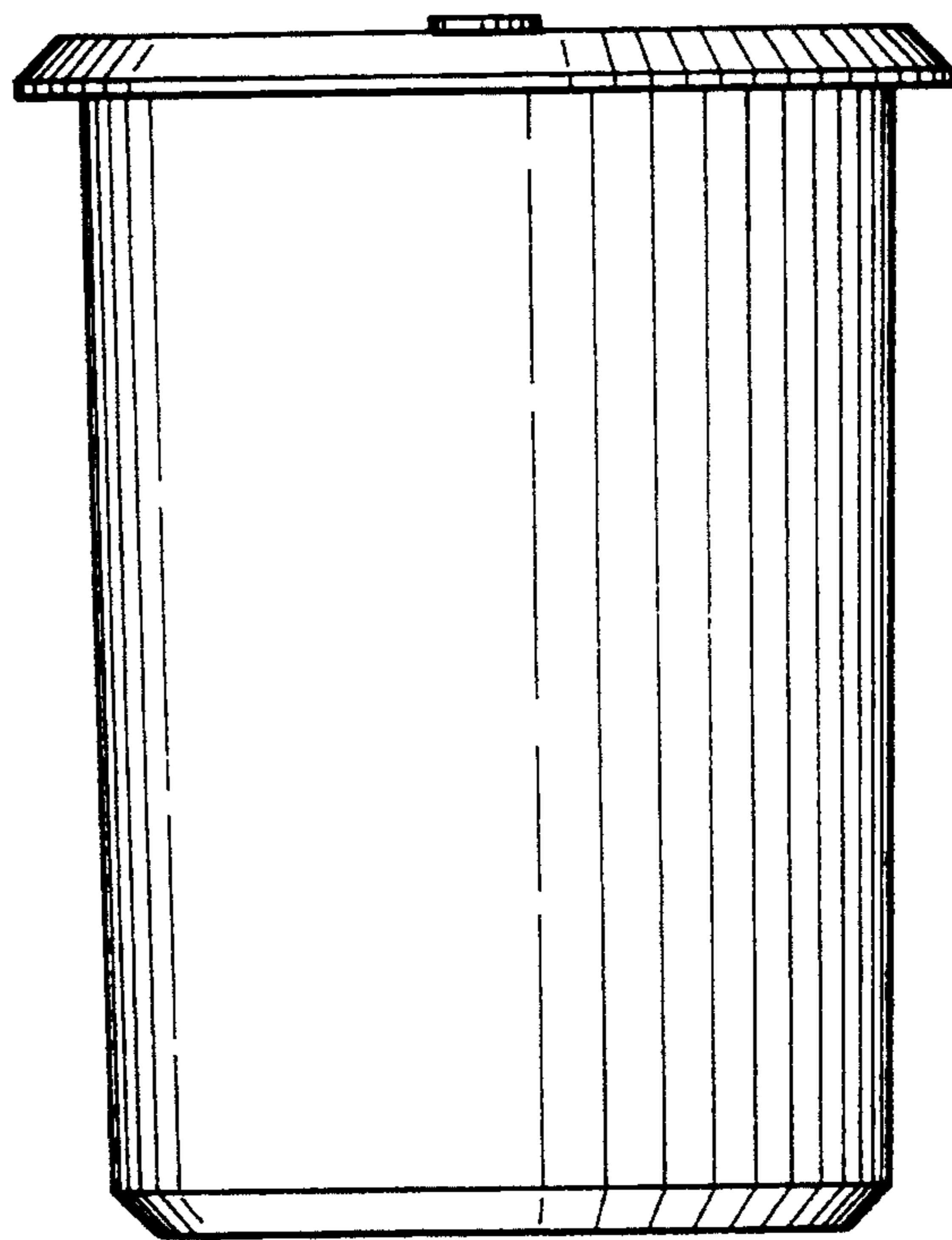


FIG. 3

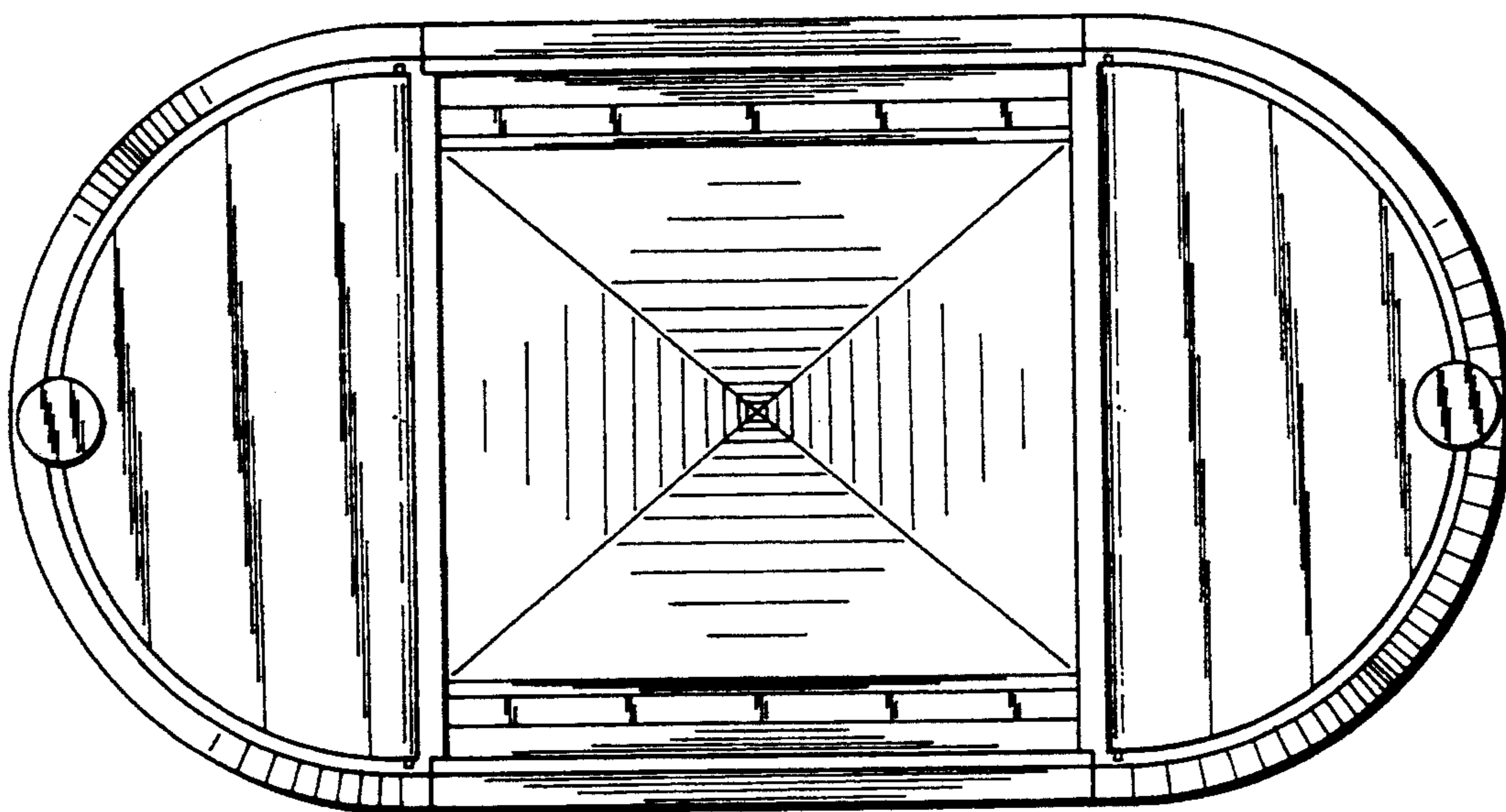


FIG. 4

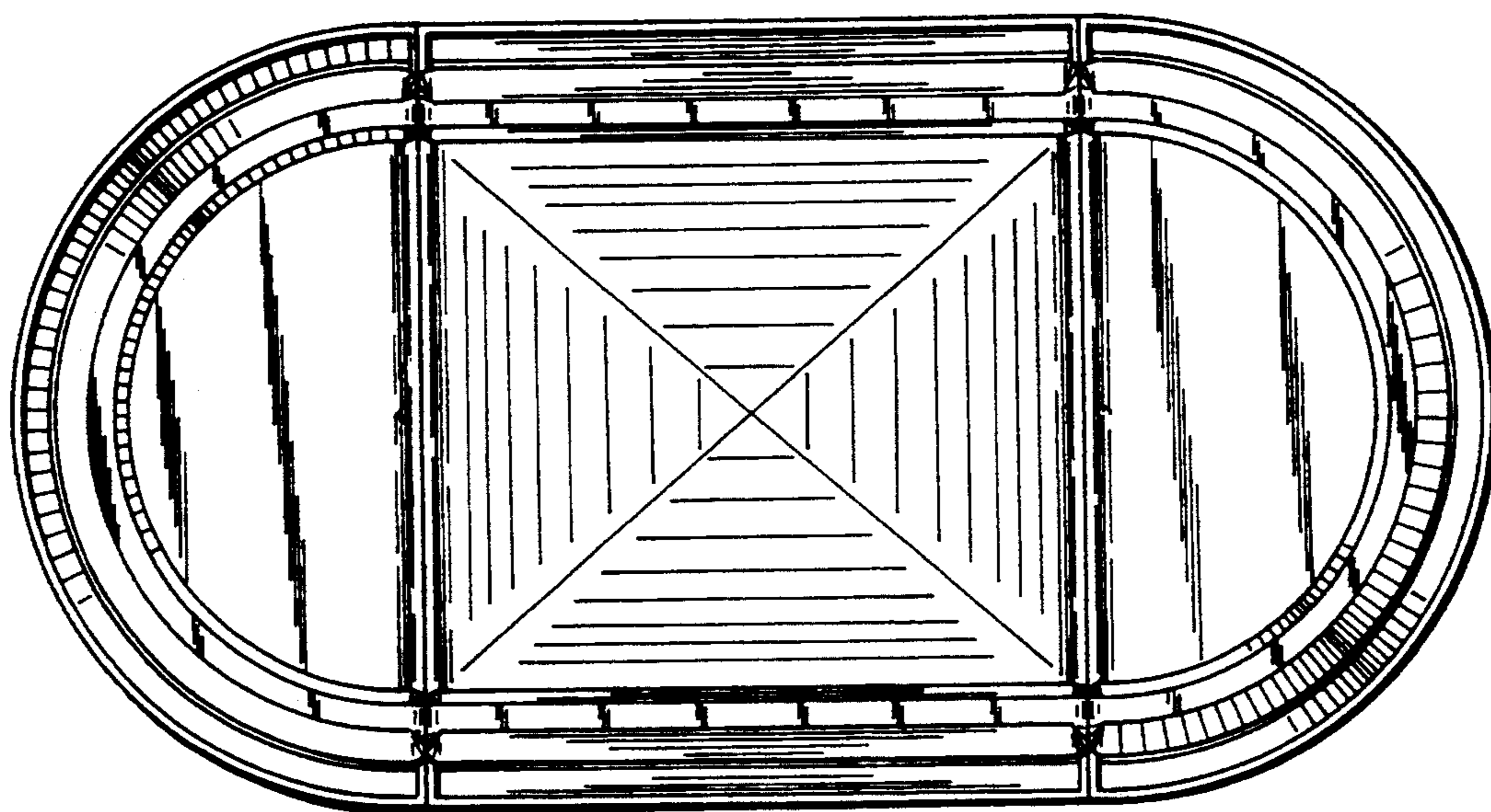


FIG. 5