



US00D351693S

United States Patent [19]

[11] Patent Number: **Des. 351,693**

Sutton

[45] Date of Patent: **** Oct. 18, 1994**

[54] **TRAY FOR USE WITH KITTY LITTER BOX**

[76] Inventor: **Candice Sutton**, 1753 E. Palmdale Blvd. #C-133, Palmdale, Calif. 93550

[**] Term: **14 Years**

[21] Appl. No.: **7,791**

[22] Filed: **May 3, 1993**

[52] U.S. Cl. **D30/161; D7/550; D6/583**

[58] Field of Search 119/165, 169, 170; D7/550, 667, 369; D6/582-583; 4/581-583; 15/215-217; 5/417-420; D30/161

[56] **References Cited**

U.S. PATENT DOCUMENTS

D. 193,487	8/1962	Levenhagen	D7/550
D. 221,400	8/1971	O'Donnell	D6/583
D. 242,136	11/1976	Matlock	D6/582
D. 249,108	8/1978	Cannon, Jr.	D7/550
D. 327,200	6/1992	Szablak et al.	D7/550
3,111,932	11/1963	Knutson	119/165
4,027,625	6/1977	Wheeler	119/170
4,819,580	4/1989	Foldes	119/170

5,092,270	3/1992	Simons et al.	119/165
5,165,366	11/1992	Harvey	119/165
5,195,464	3/1993	Mutter	119/165
5,218,930	6/1993	Casmira	119/165
5,220,886	6/1993	Hyde	119/165

FOREIGN PATENT DOCUMENTS

2610168	8/1988	France	119/165
---------	--------	--------	-------	---------

Primary Examiner—Cathy Anne MacCormac
Attorney, Agent, or Firm—Terry M. Gernstein

[57] CLAIM

The ornamental design for a tray for use with a kitty litter box, as shown and described.

DESCRIPTION

FIG. 1 is a front, top and side perspective view of the tray for use with a kitty litter box showing my new design;

FIG. 2 is a front elevational view thereof;

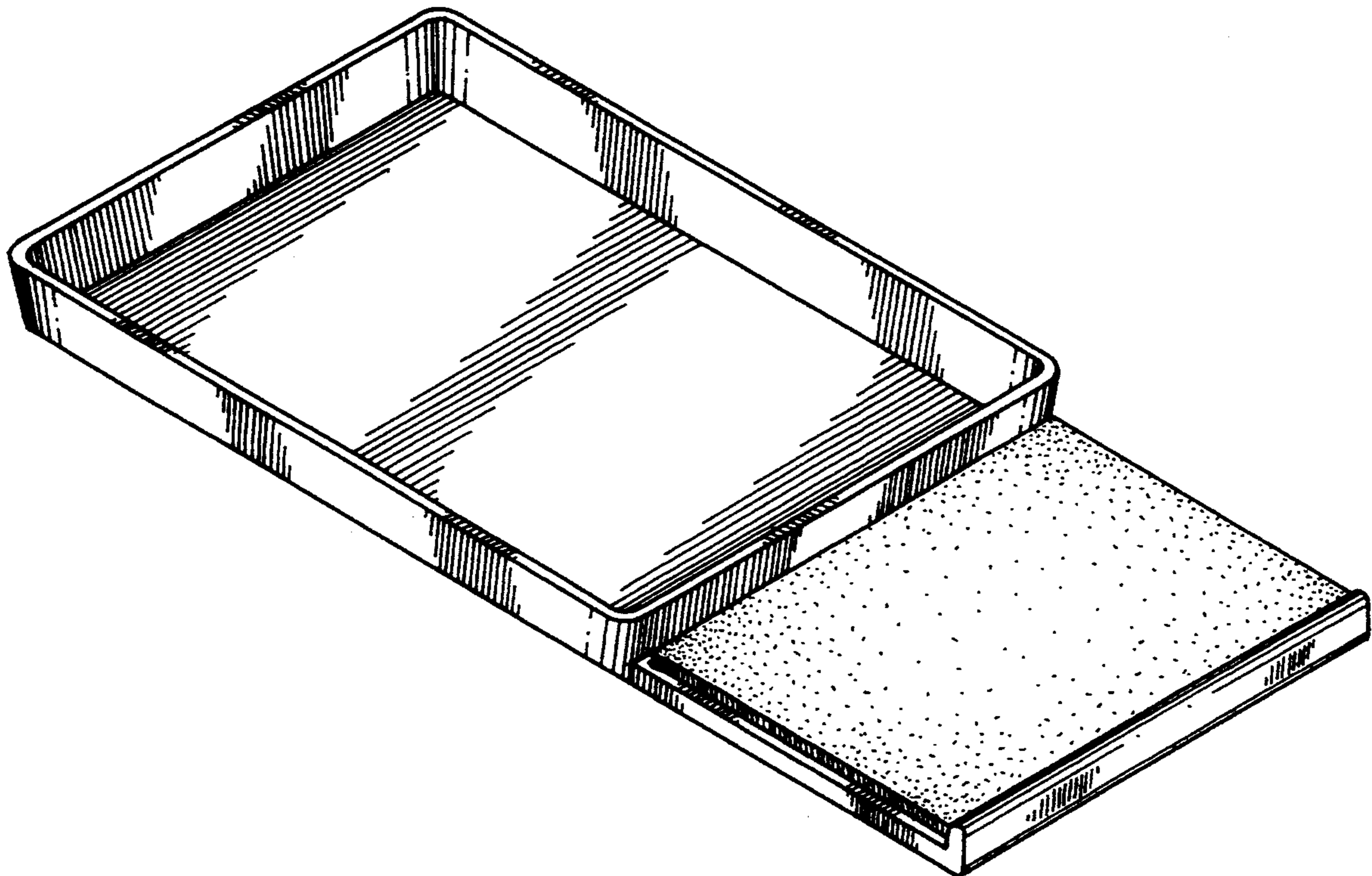
FIG. 3 is a rear elevational view thereof;

FIG. 4 is a side elevational view thereof;

FIG. 5 is a side elevational view thereof;

FIG. 6 is a top plan view thereof; and,

FIG. 7 is a bottom plan view thereof.



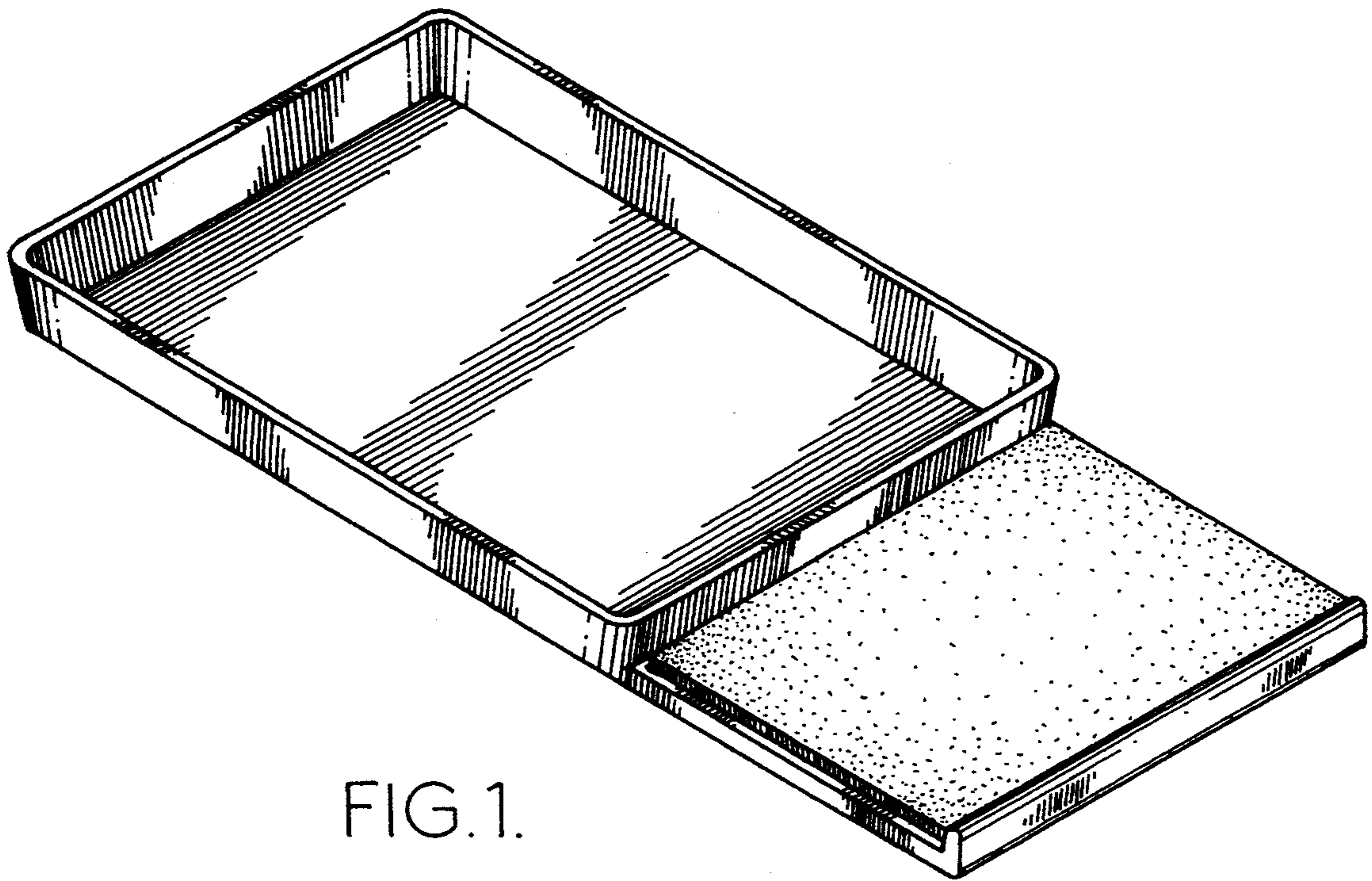


FIG.1.



FIG. 2.



FIG. 3.



FIG. 4.



FIG. 5.

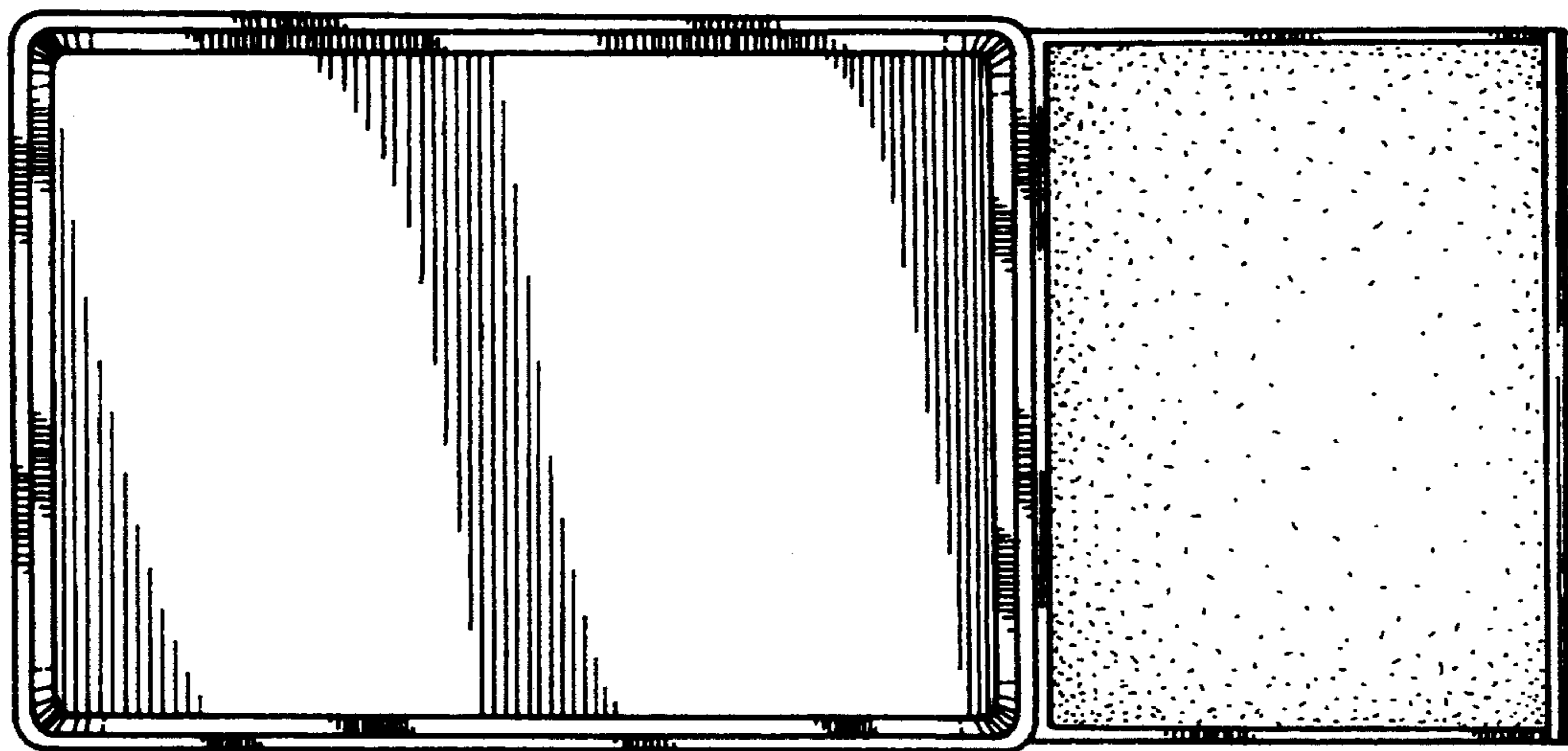


FIG. 6.

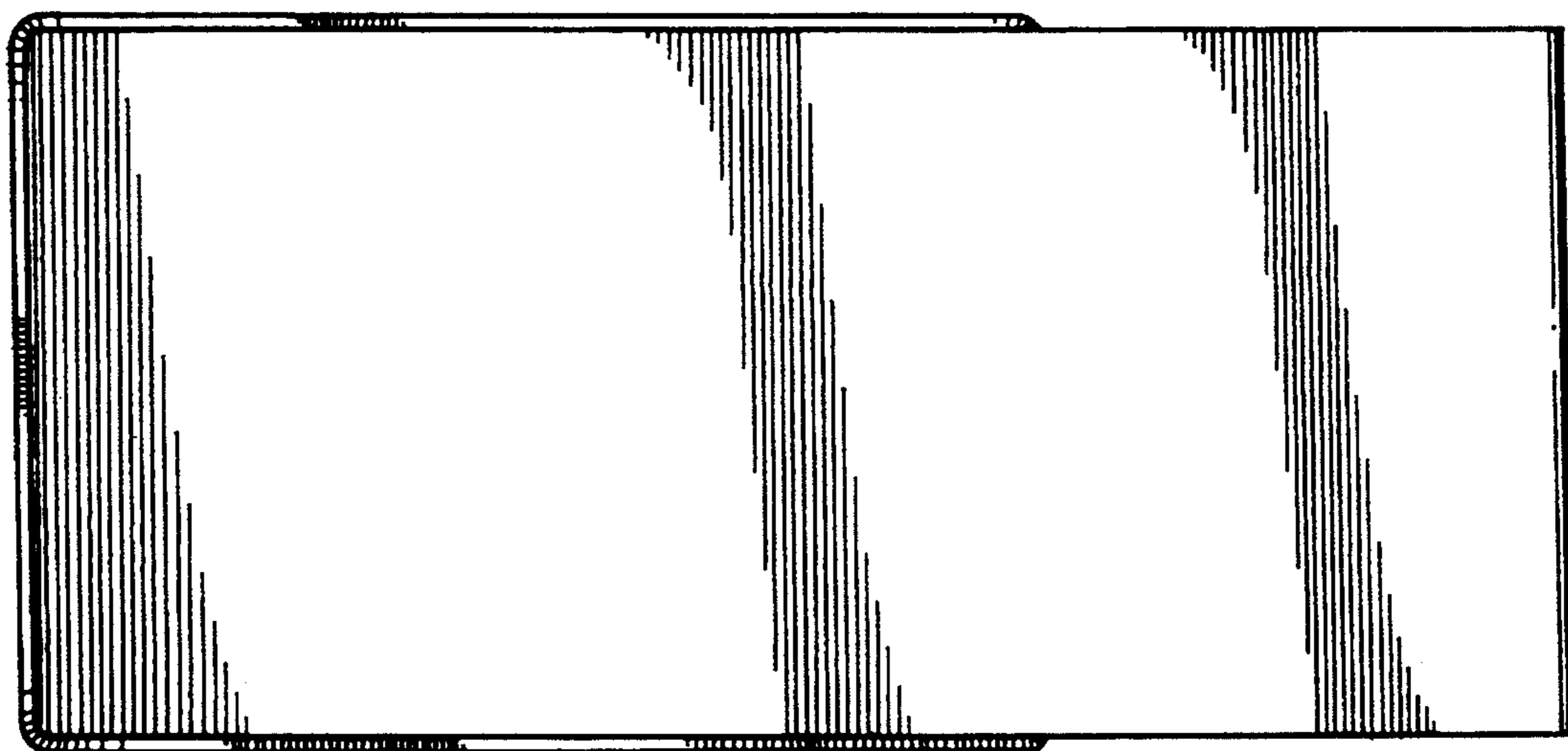


FIG. 7.