



US00D351688S

United States Patent [19]

[11] Patent Number: **Des. 351,688**

Northrop et al.

[45] Date of Patent: **** Oct. 18, 1994**

[54] **KENNEL DOOR**

[75] Inventors: **Melaney Northrop**, Cleburne;
Thomas B. Murphy, Arlington, both
of Tex.

[73] Assignee: **Doskocil Manufacturing Company,**
Inc., Arlington, Tex.

[**] Term: **14 Years**

[21] Appl. No.: **3,701**

[22] Filed: **Jan. 14, 1993**

[52] U.S. Cl. **D30/119; D25/53**

[58] Field of Search 52/204.1; 49/168-169,
49/504; 119/19, 51; D25/48, 53; D30/108, 119,
114

4,216,743 8/1980 Cohen D30/119
4,226,049 10/1980 Maust 49/168
4,791,762 12/1988 Hwang D25/48

Primary Examiner—A. Hugo Word
Assistant Examiner—Doris Clark
Attorney, Agent, or Firm—Andrew J. Dillon

[57] CLAIM

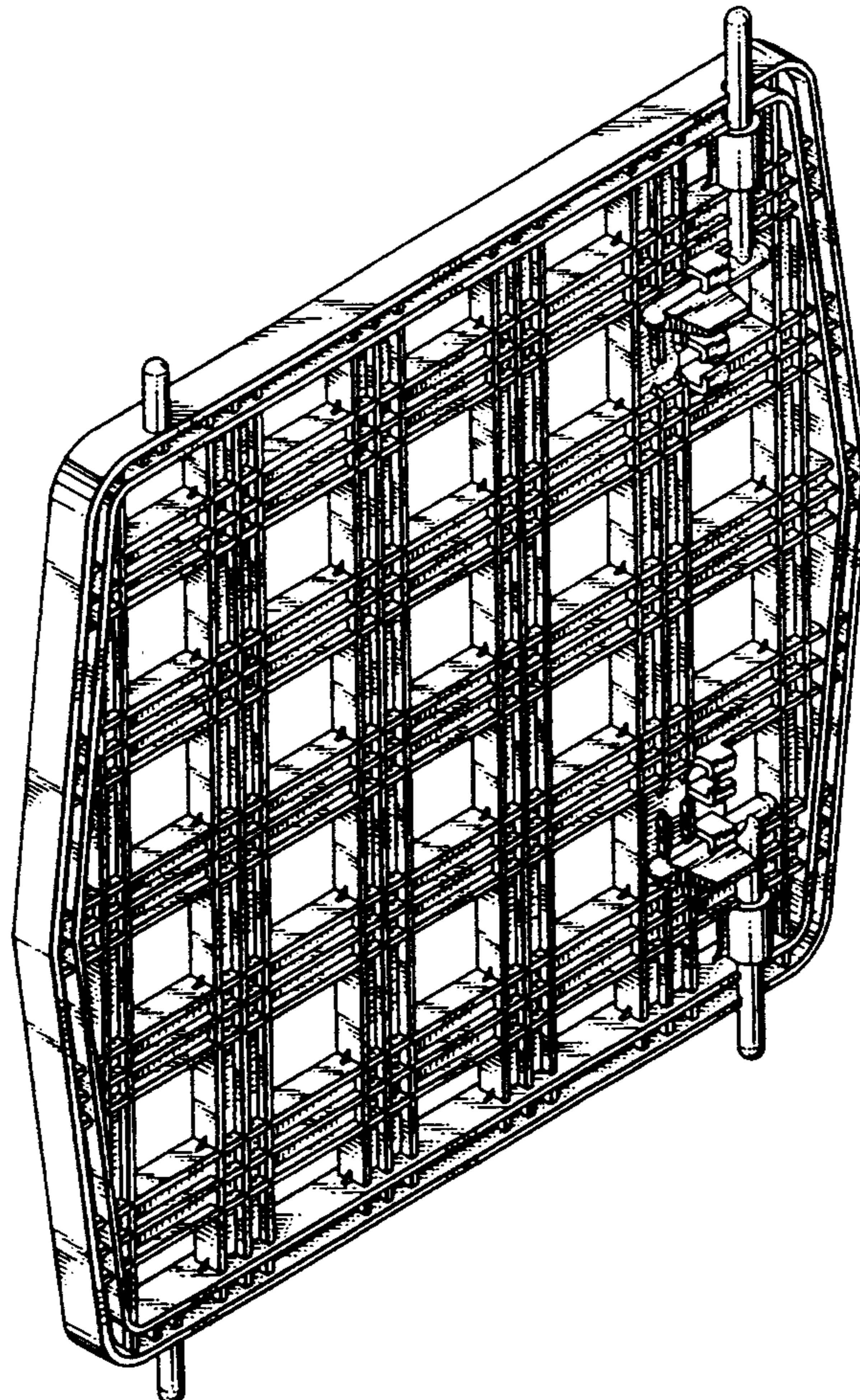
The ornamental design for a kennel door, as shown and described.

DESCRIPTION

FIG. 1 is a perspective view of the kennel door of the present invention;
FIG. 2 is a front view of the kennel door of the present invention;
FIG. 3 is a left side view of the kennel door of the present invention;
FIG. 4 is a right side view of the kennel door of the present invention;
FIG. 5 is a back view of the kennel door of the present invention;
FIG. 6 is a top view of the kennel door of the present invention; and,
FIG. 7 is a bottom view of the kennel door of the present invention.

[56] **References Cited**
U.S. PATENT DOCUMENTS

D. 199,895	12/1964	Mom's	D30/108
D. 286,690	11/1986	Priefert	D30/119
D. 320,482	10/1991	Dasilveira	D30/119
D. 334,087	3/1993	Goetz	D30/108
1,819,377	8/1931	Nelson	125/53
2,882,964	4/1959	Watkin	D30/119
3,065,685	*11/1962	Sylvester et al.	D25/53



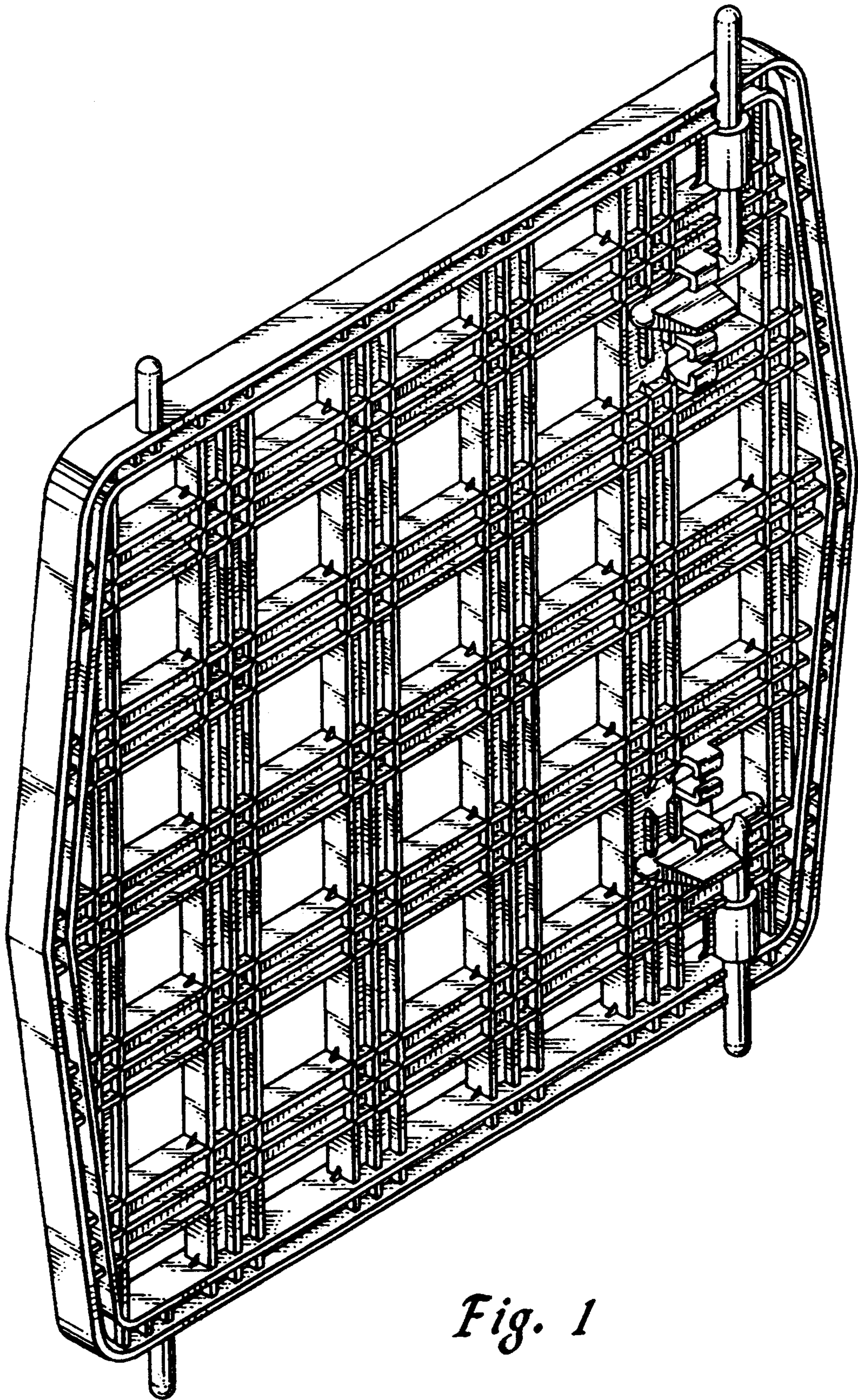


Fig. 1



Fig. 4

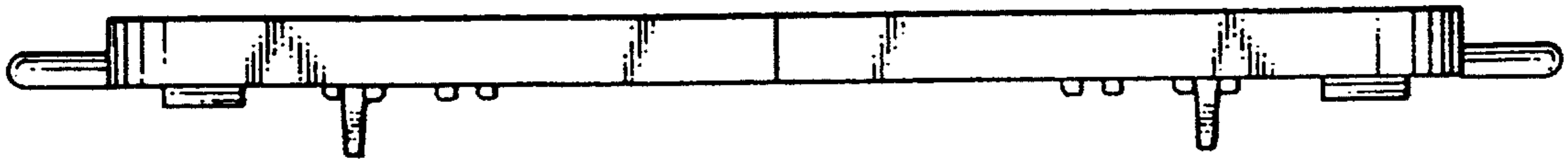
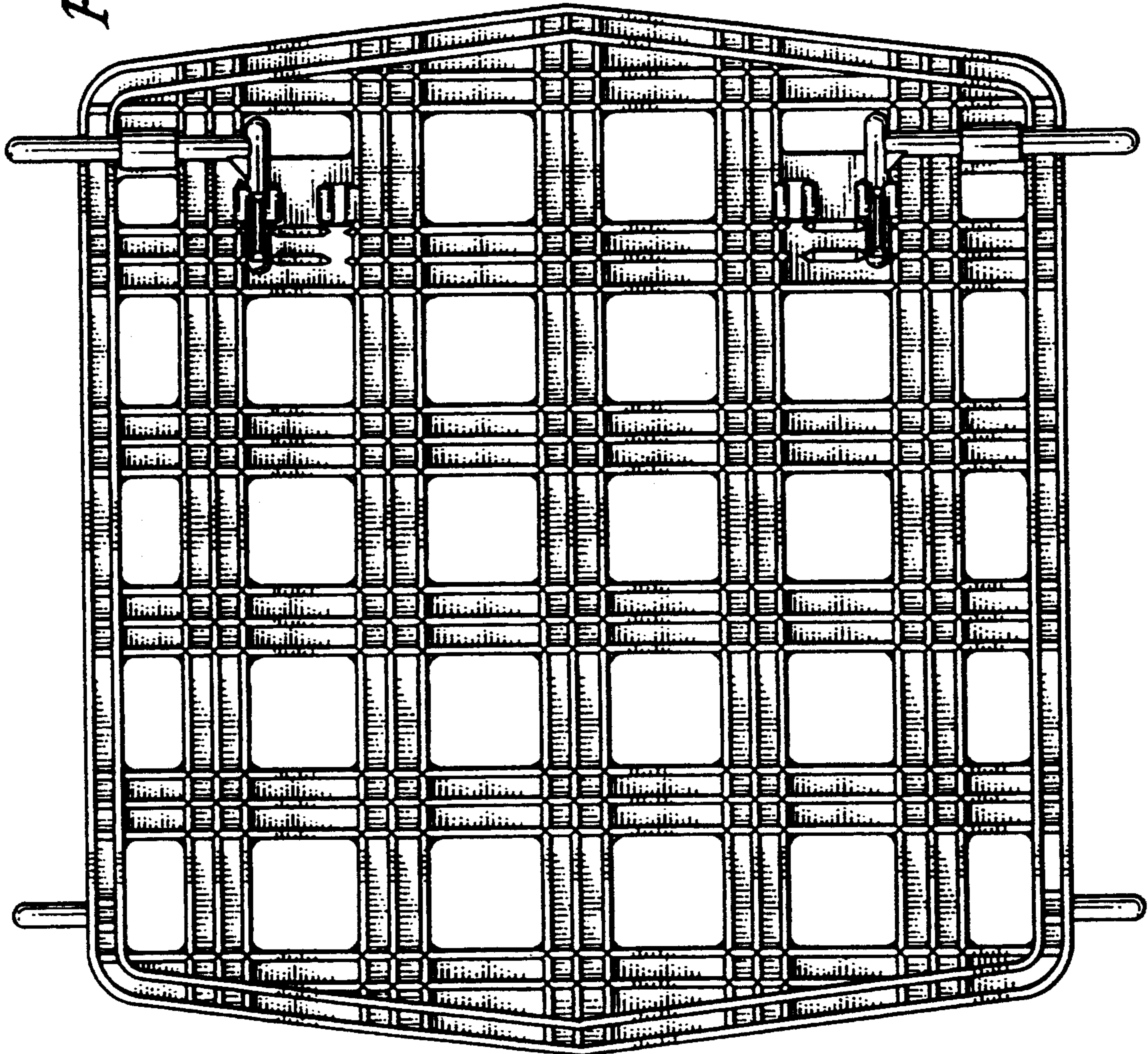


Fig. 3

Fig. 2



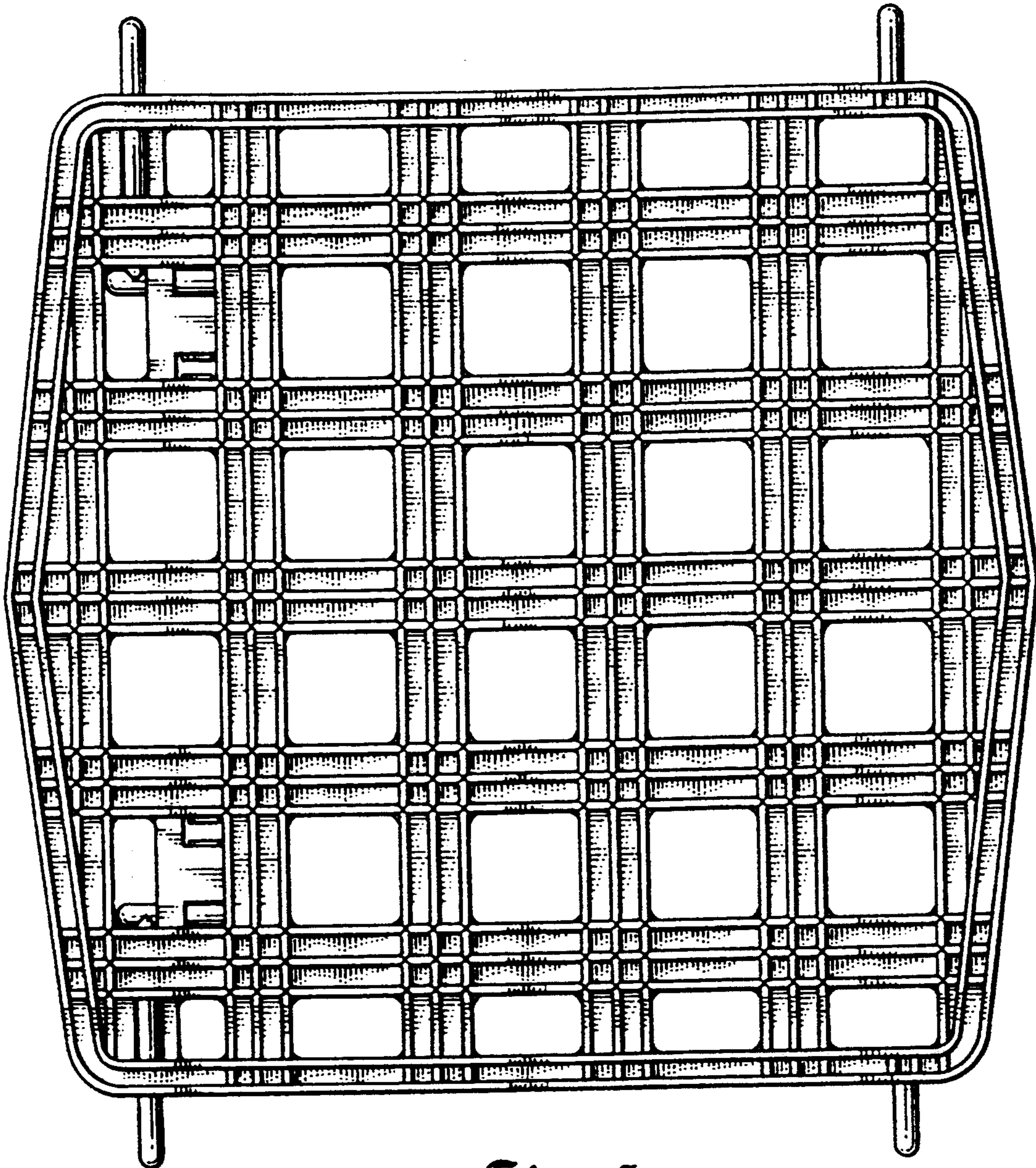


Fig. 5



Fig. 6

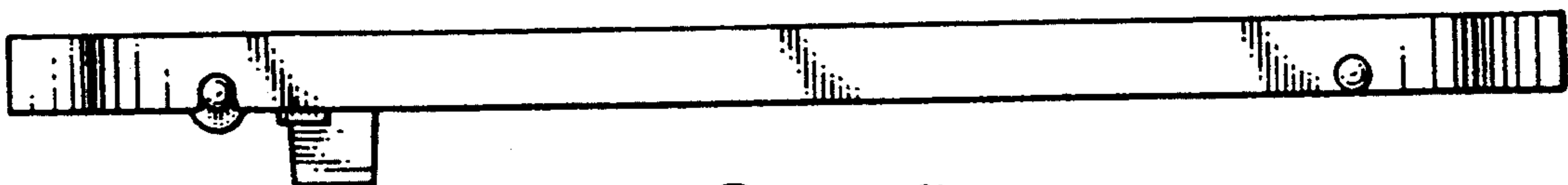


Fig. 7