



US00D351687S

United States Patent [19] McMahon

[11] Patent Number: Des. 351,687

[45] Date of Patent: ** Oct. 18, 1994

[54] BED FOR PETS

[75] Inventor: Franklin McMahon, New York, N.Y.

[73] Assignee: Univier International Corporation,
New York, N.Y.

[**] Term: 14 Years

[21] Appl. No.: 1,020

[22] Filed: Nov. 2, 1992

[52] U.S. Cl. D30/118

[58] Field of Search 119/28.5, 17, 19, 27-28,
119/165-170, 61; D7/550-552, 698; D9/328;
5/12.1, 42.4, 53.1, 94, 400-401, 449, 902;
D6/601, 604, 390, 382, 393, 333-335, 381;
D30/108-109, 117-120, 133, 161; D21/123

[56] References Cited

U.S. PATENT DOCUMENTS

| | | | | |
|------------|--------|---------------|-------|---------|
| D. 214,302 | 6/1969 | Barber | | D6/601 |
| D. 252,486 | 7/1979 | Petersilie | | D6/381 |
| D. 263,770 | 4/1982 | Melchior | | D6/334 |
| D. 283,855 | 5/1986 | Kujawski | | D6/333 |
| D. 295,904 | 5/1988 | McMahon | | D30/118 |
| D. 309,200 | 7/1990 | McMahon | | D30/118 |
| D. 325,475 | 4/1992 | Genova et al. | | D6/381 |
| D. 328,506 | 8/1992 | McMahon | | D30/118 |

| | | | | |
|------------|--------|---------------|-------|----------|
| D. 335,035 | 4/1993 | Floyd | | D6/334 |
| 3,807,801 | 4/1974 | Dalsgard | | D6/334 |
| 4,109,887 | 8/1978 | Wakeland, Jr. | | 5/400 |
| 4,443,901 | 4/1984 | Zimmerman | | 5/12.1 |
| 4,860,689 | 8/1989 | Stewart | | 119/28.5 |

OTHER PUBLICATIONS

Pedigrees the Pet Catalog; p. 28; Item G #G45-0528
Pet Bed; (Pet Catalogs Box #2).

Primary Examiner—Cathy Anne MacCormac
Attorney, Agent, or Firm—Fitzpatrick, Cella, Harper &
Scinto

[57] CLAIM

The ornamental design for a bed for pets, a shown and
described.

DESCRIPTION

FIG. 1 is a perspective view of a bed for pets embody-
ing my new design;
FIG. 2 is a front elevational view thereof;
FIG. 3 is a right side elevational view thereof, the left
side elevational view being a mirror image of the right
side;
FIG. 4 is a top plan view thereof;
FIG. 5 is rear elevational view thereof; and,
FIG. 6 is a bottom plan view thereof.

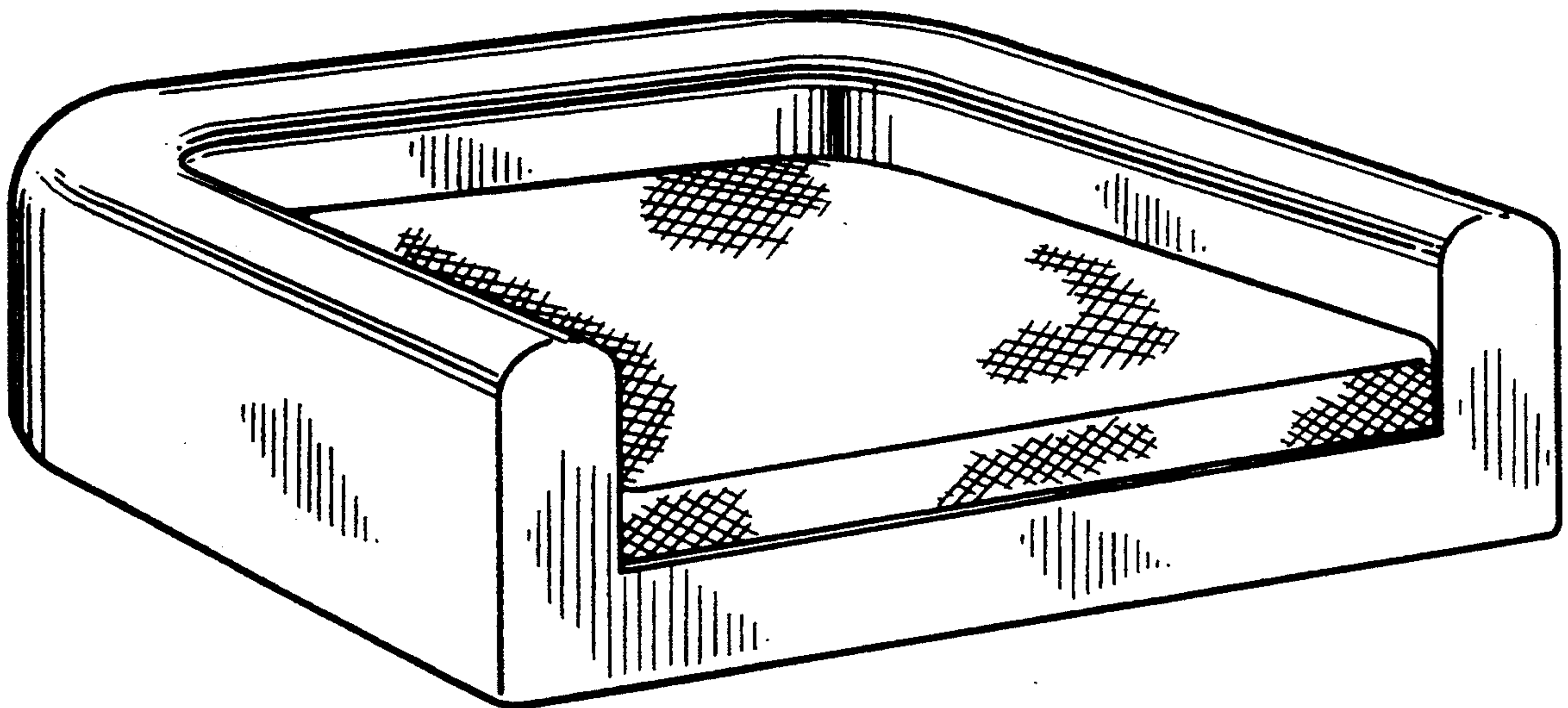


FIG. 1

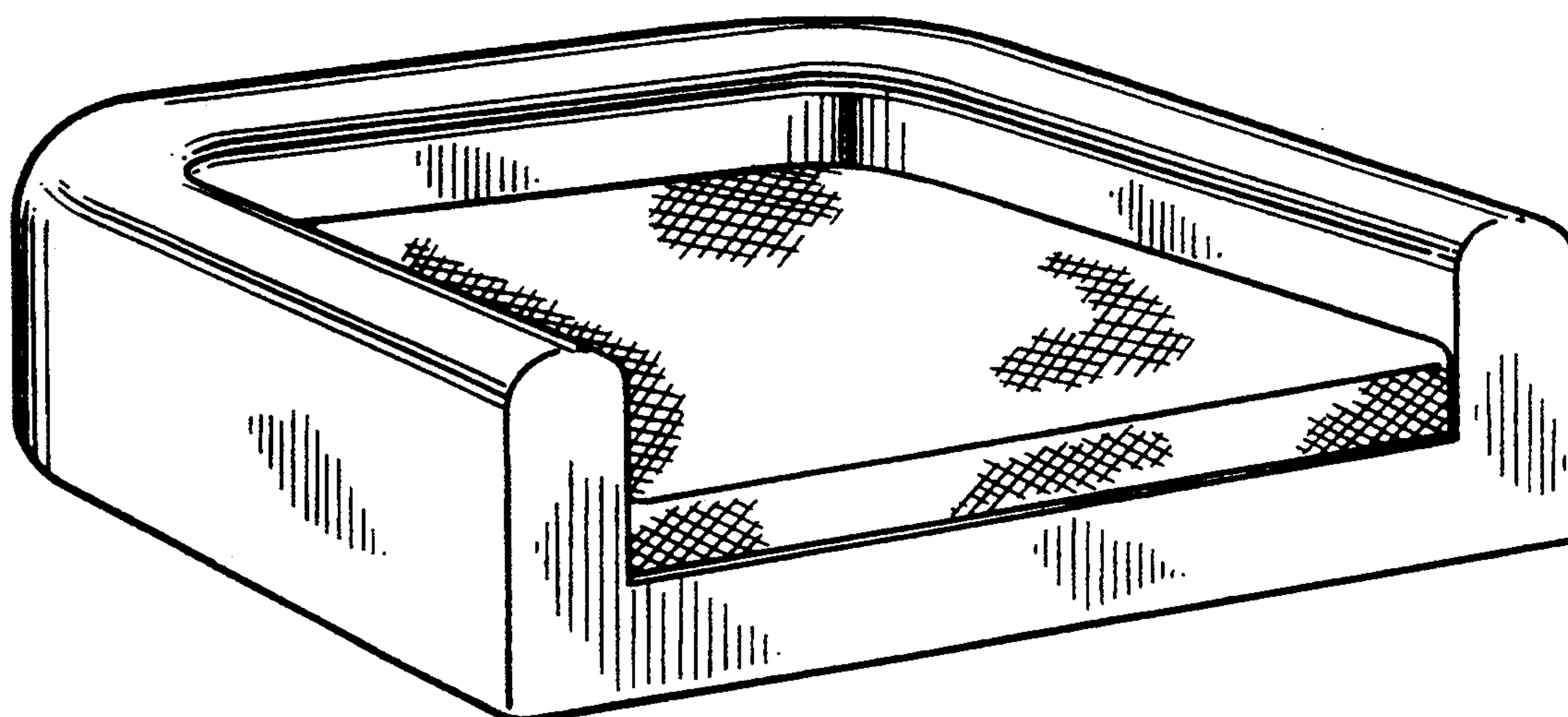


FIG. 2

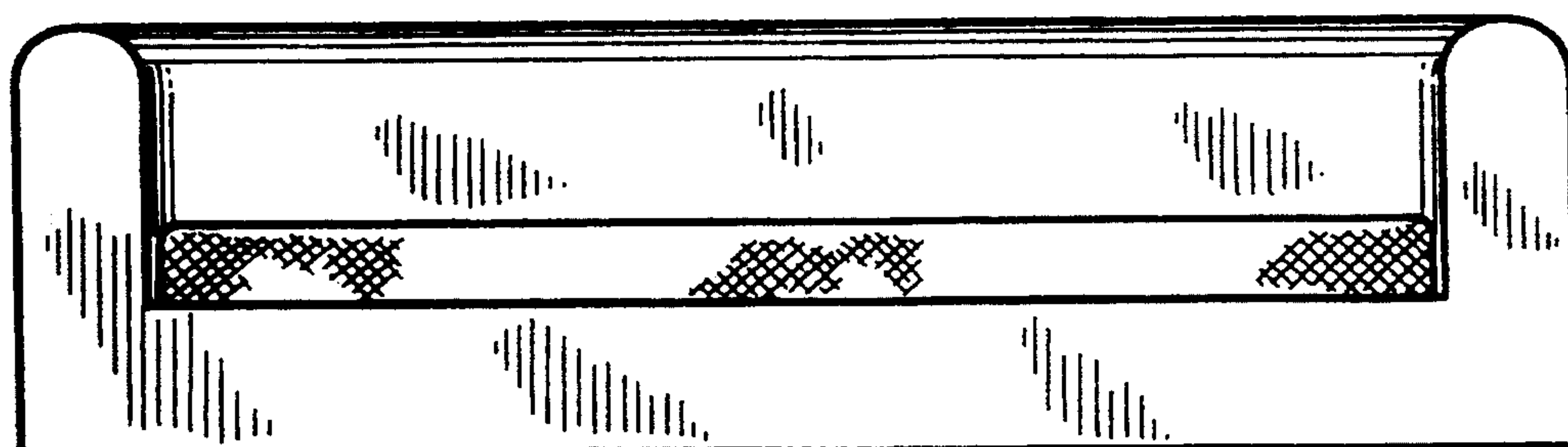


FIG. 3

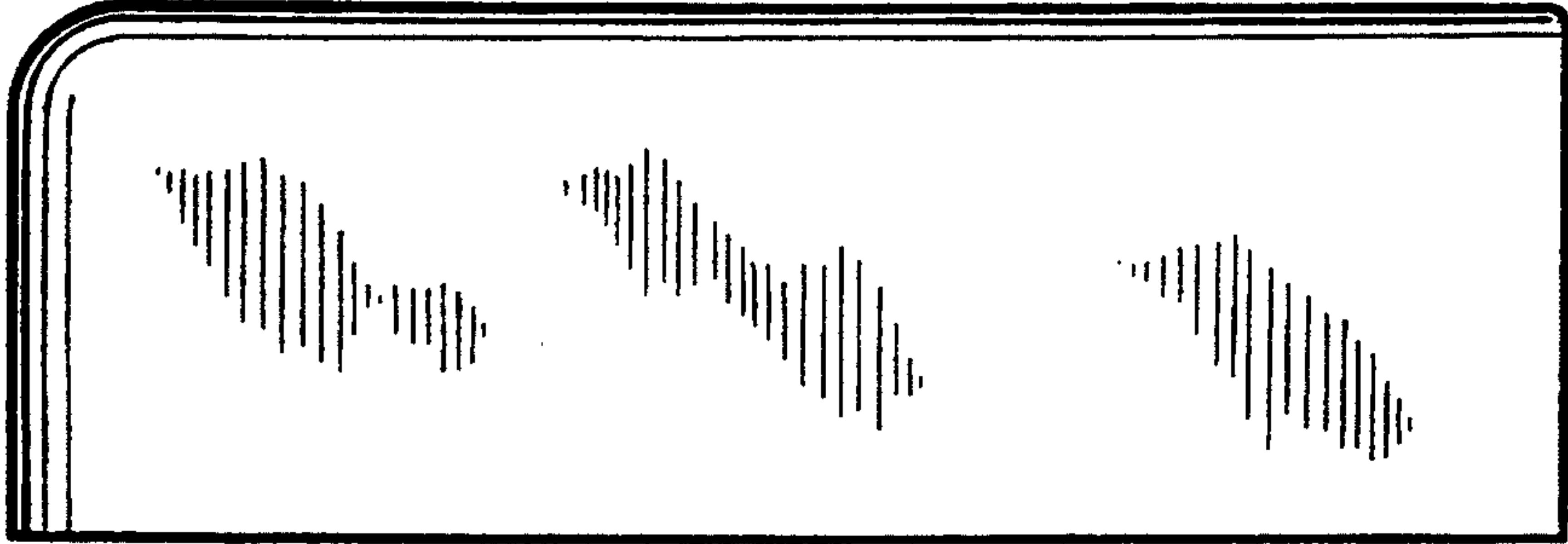


FIG. 4

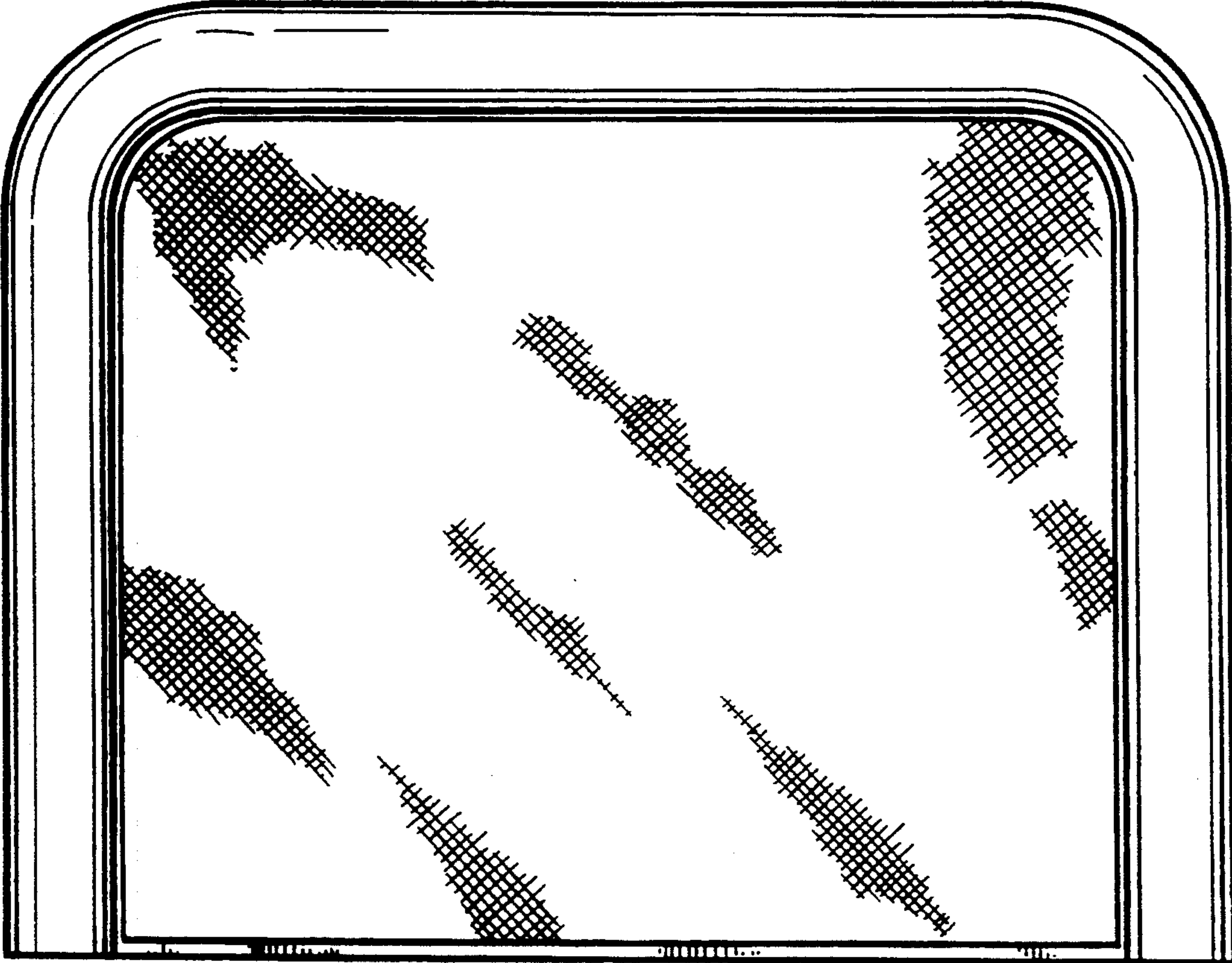


FIG. 5

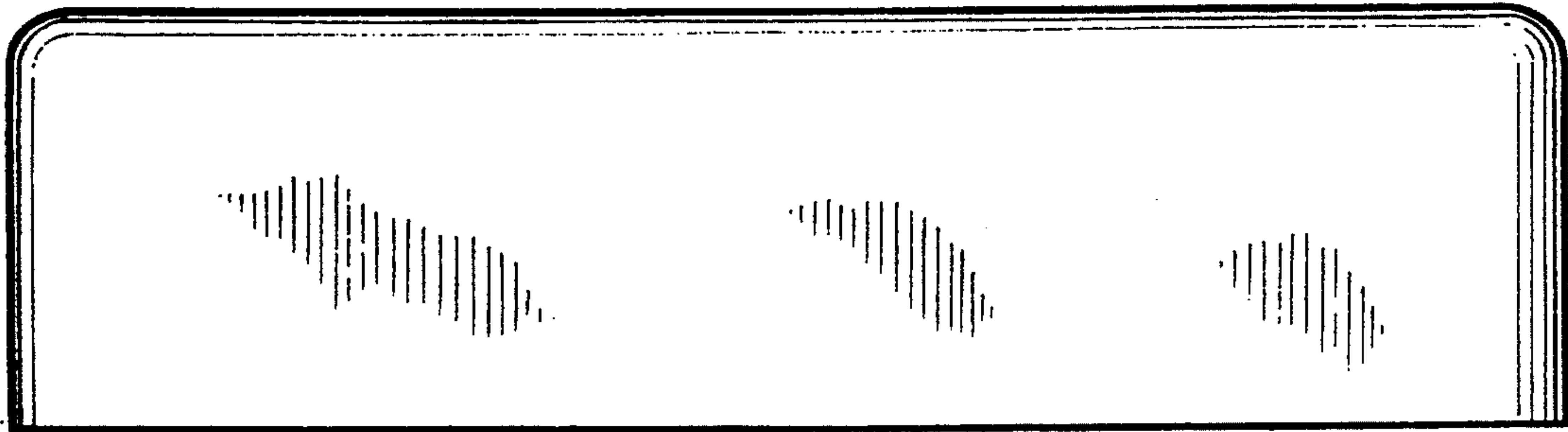
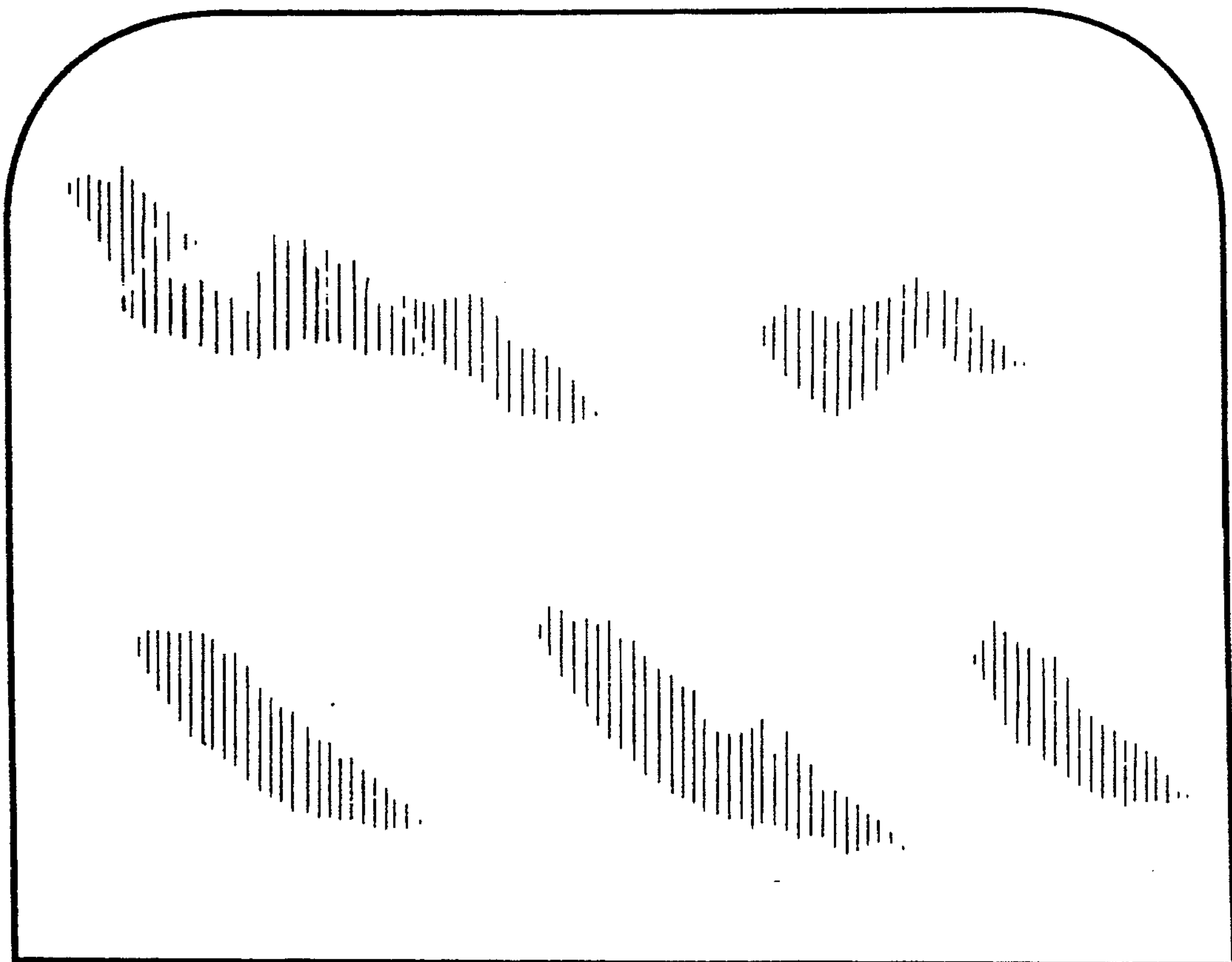


FIG. 6



UNITED STATES PATENT AND TRADEMARK OFFICE
CERTIFICATE OF CORRECTION

PATENT NO. : Des. 351,687
DATED : October 18, 1994
INVENTOR(S) : FRANKLIN McMAHON

It is certified that error appears in the above-identified patent and that said Letters Patent is hereby corrected as shown below:

ON TITLE PAGE

In [57] CLAIM: "a shown" should read --as shown--.

Signed and Sealed this
Tenth Day of January, 1995



BRUCE LEHMAN

Commissioner of Patents and Trademarks

Attest:

Attesting Officer