



US00D351677S

United States Patent [19]
Yuen

[11] **Patent Number: Des. 351,677**

[45] **Date of Patent: ** Oct. 18, 1994**

[54] **ADJUSTABLE TABLE LAMP**

[56] **References Cited**

U.S. PATENT DOCUMENTS

[75] **Inventor: Se K. Yuen, Kowloon, Hong Kong**

D. 337,841 7/1993 Lu D26/65
D. 337,843 7/1993 Huang D26/65
4,213,172 7/1980 Scattolin et al. 362/413

[73] **Assignee: John Manufacturing Limited,
Kowloon, Hong Kong**

Primary Examiner—Susan J. Lucas
Attorney, Agent, or Firm—Darby & Darby

[**] **Term: 14 Years**

[57] **CLAIM**

[21] **Appl. No.: 8,062**

The ornamental design for a adjustable table lamp, as shown and described.

[22] **Filed: May 6, 1993**

DESCRIPTION

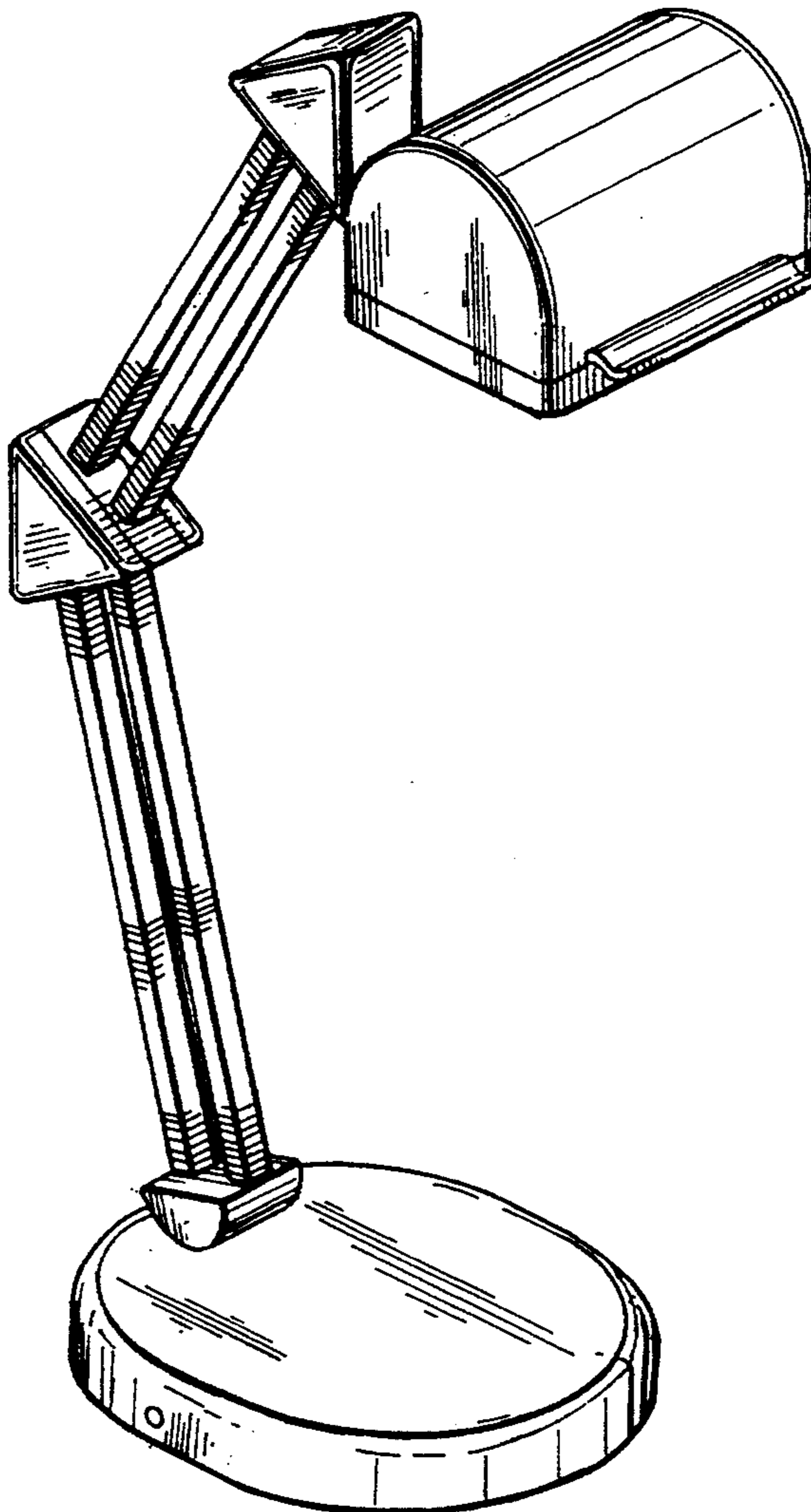
[30] **Foreign Application Priority Data**

FIG. 1 is a front elevational view of a adjustable table lamp showing my new design;
FIG. 2 is a right side elevational view thereof;
FIG. 3 is a top plan view thereof;
FIG. 4 is a bottom plan view thereof;
FIG. 5 is a rear elevational view thereof;
FIG. 6 is a left side elevational view thereof; and,
FIG. 7 is a perspective view as seen from the left.

Nov. 25, 1992 [GB] United Kingdom 2027397

[52] **U.S. Cl.** **D26/65**

[58] **Field of Search** 362/413, 418, 419, 427,
362/269, 277; D26/60, 61, 63, 64, 65



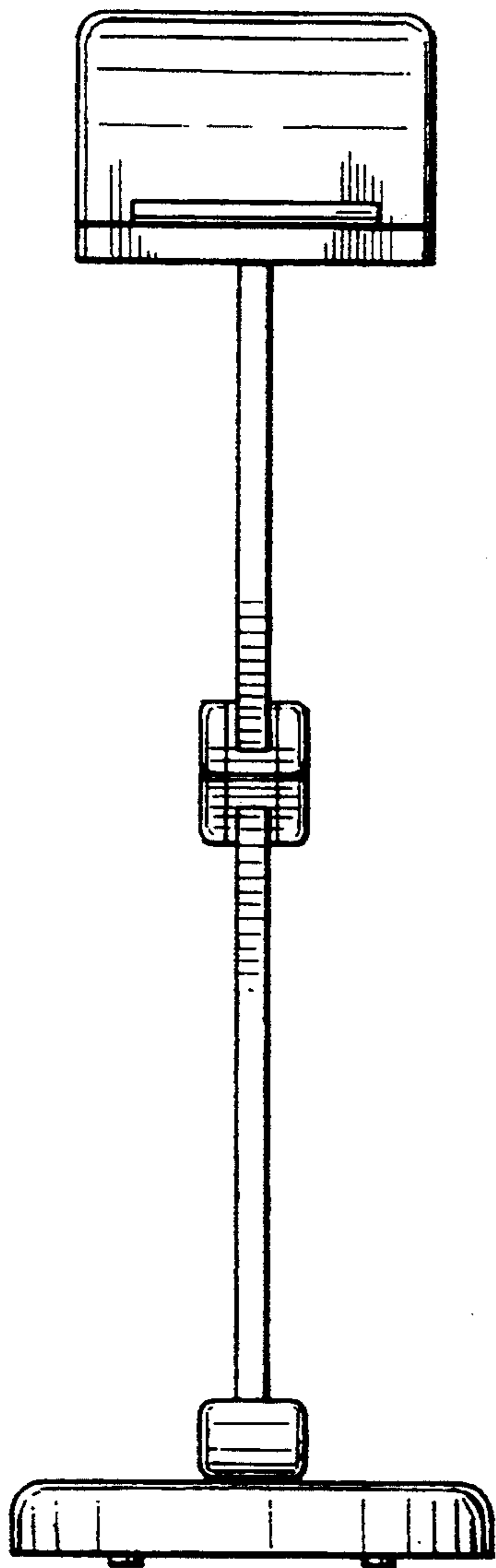


FIG. 1

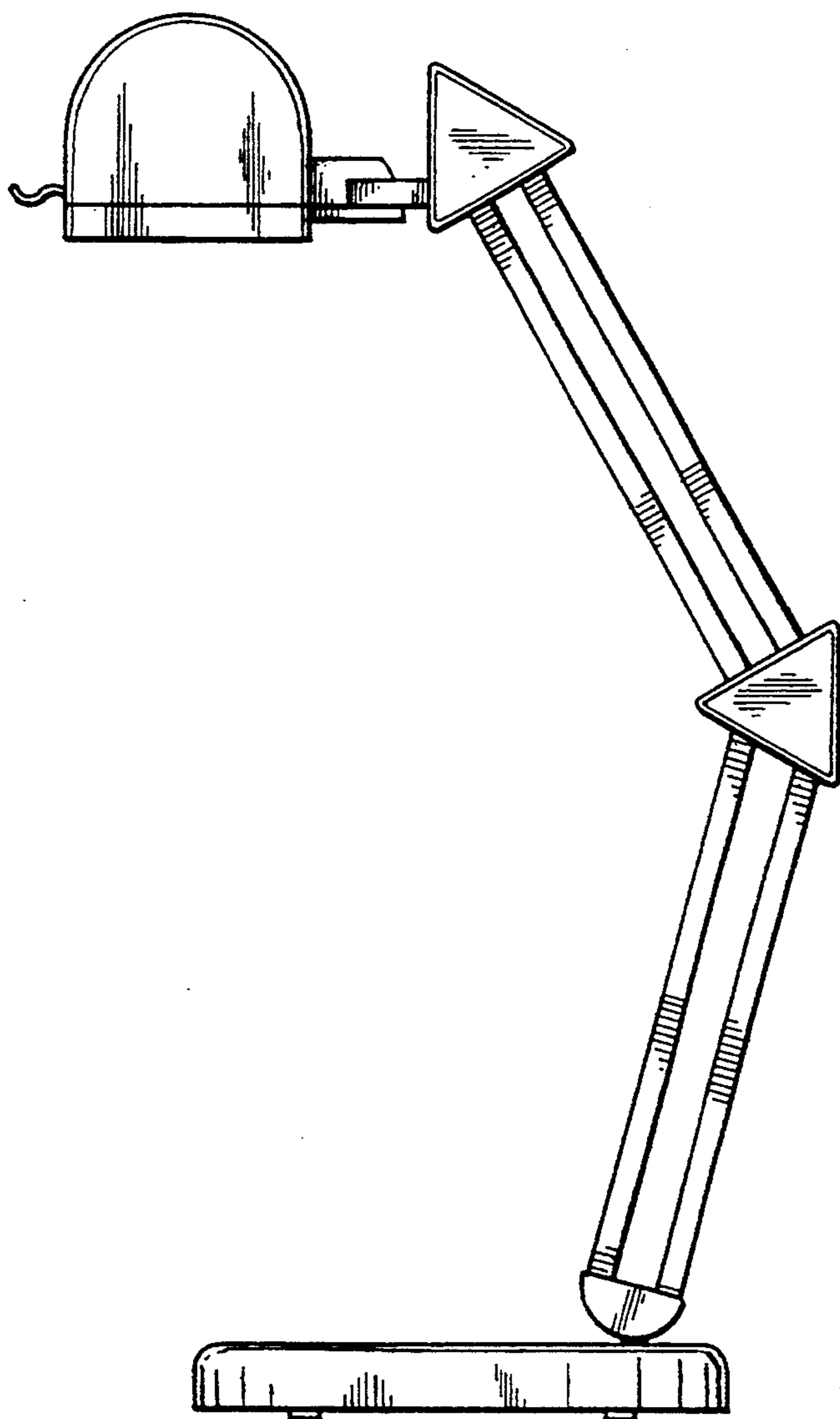


FIG. 2

FIG. 3

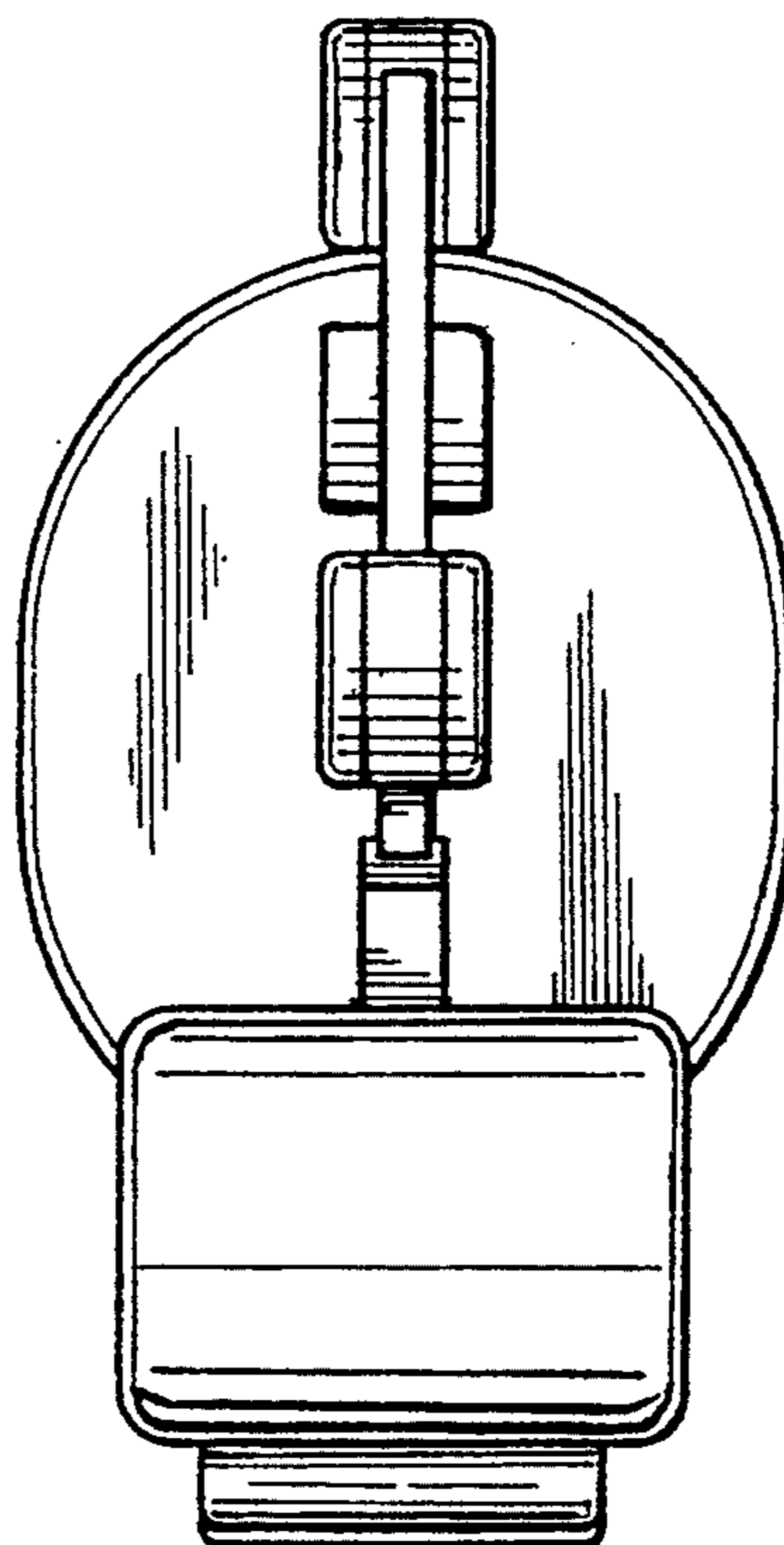
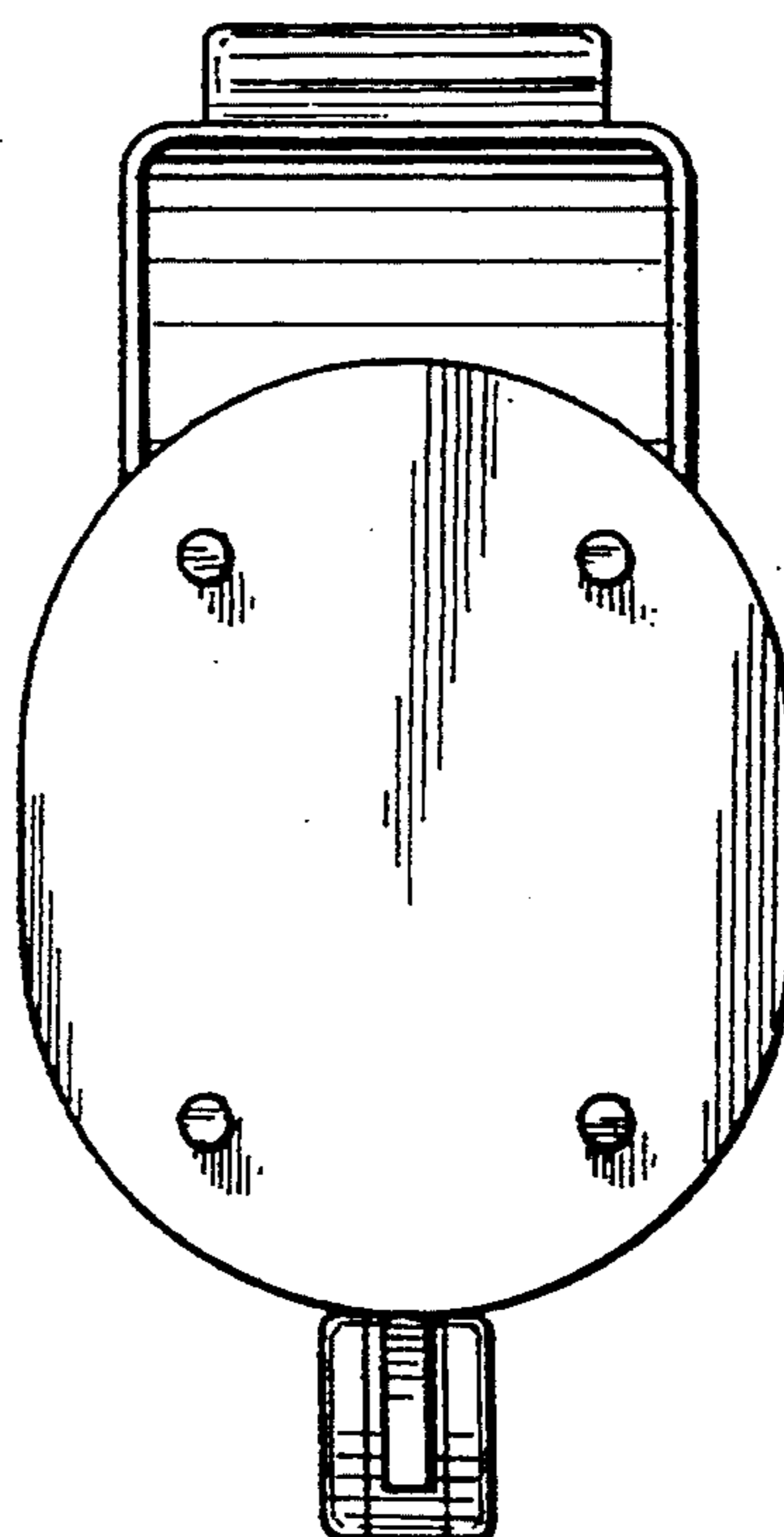


FIG. 4



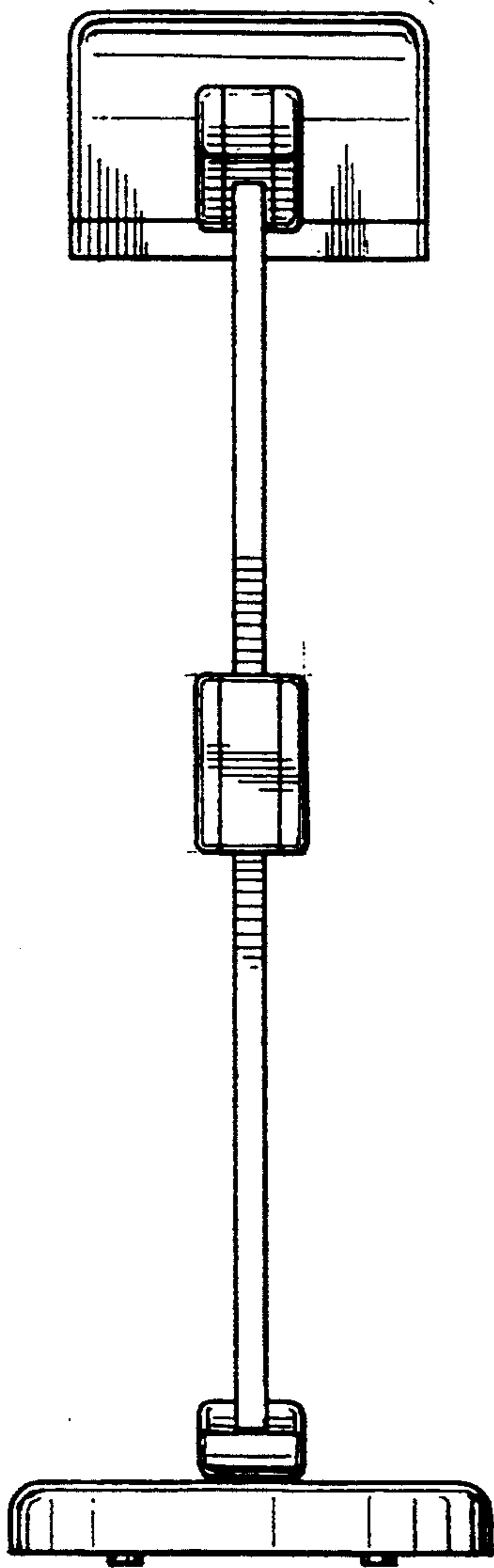


FIG. 5

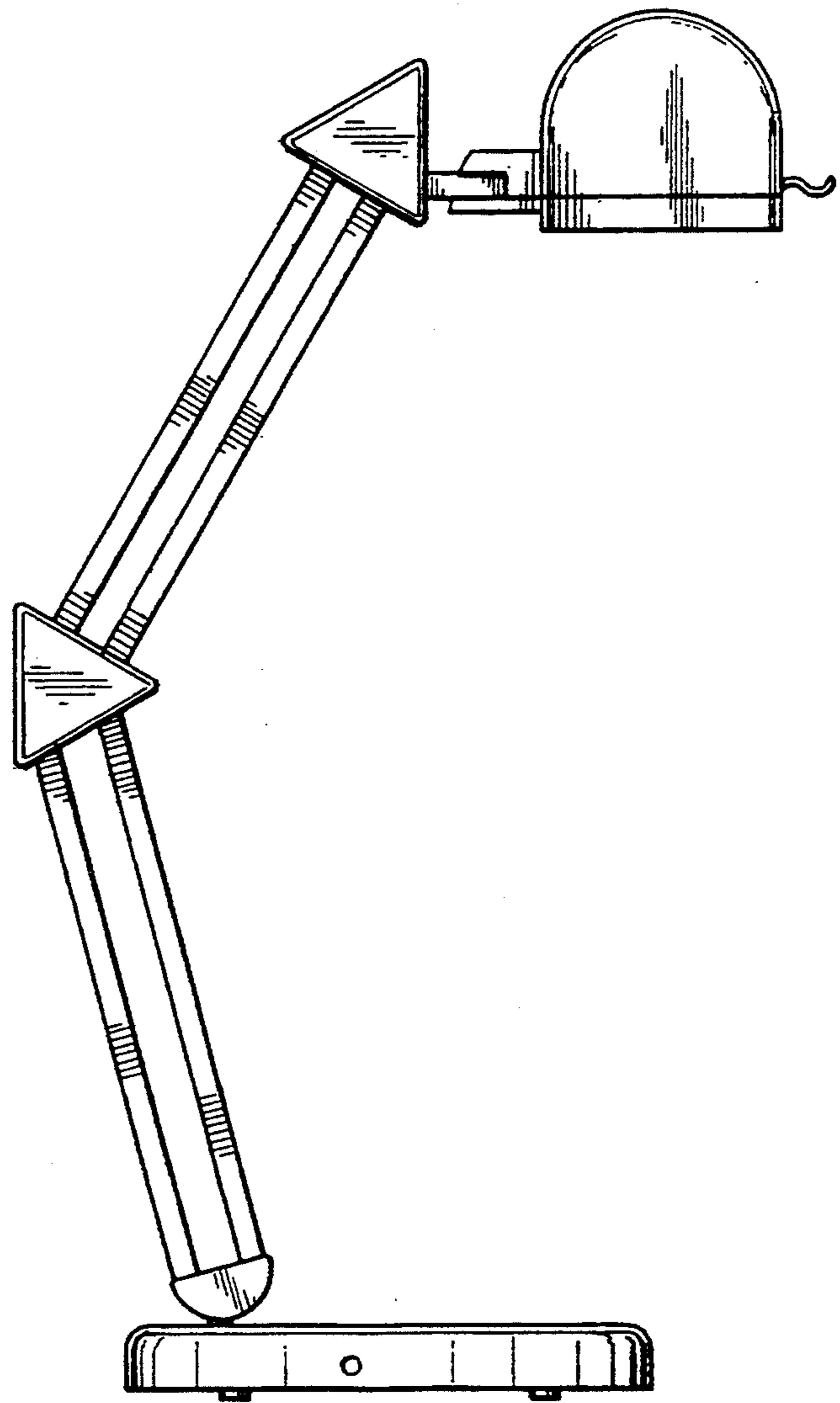


FIG. 6

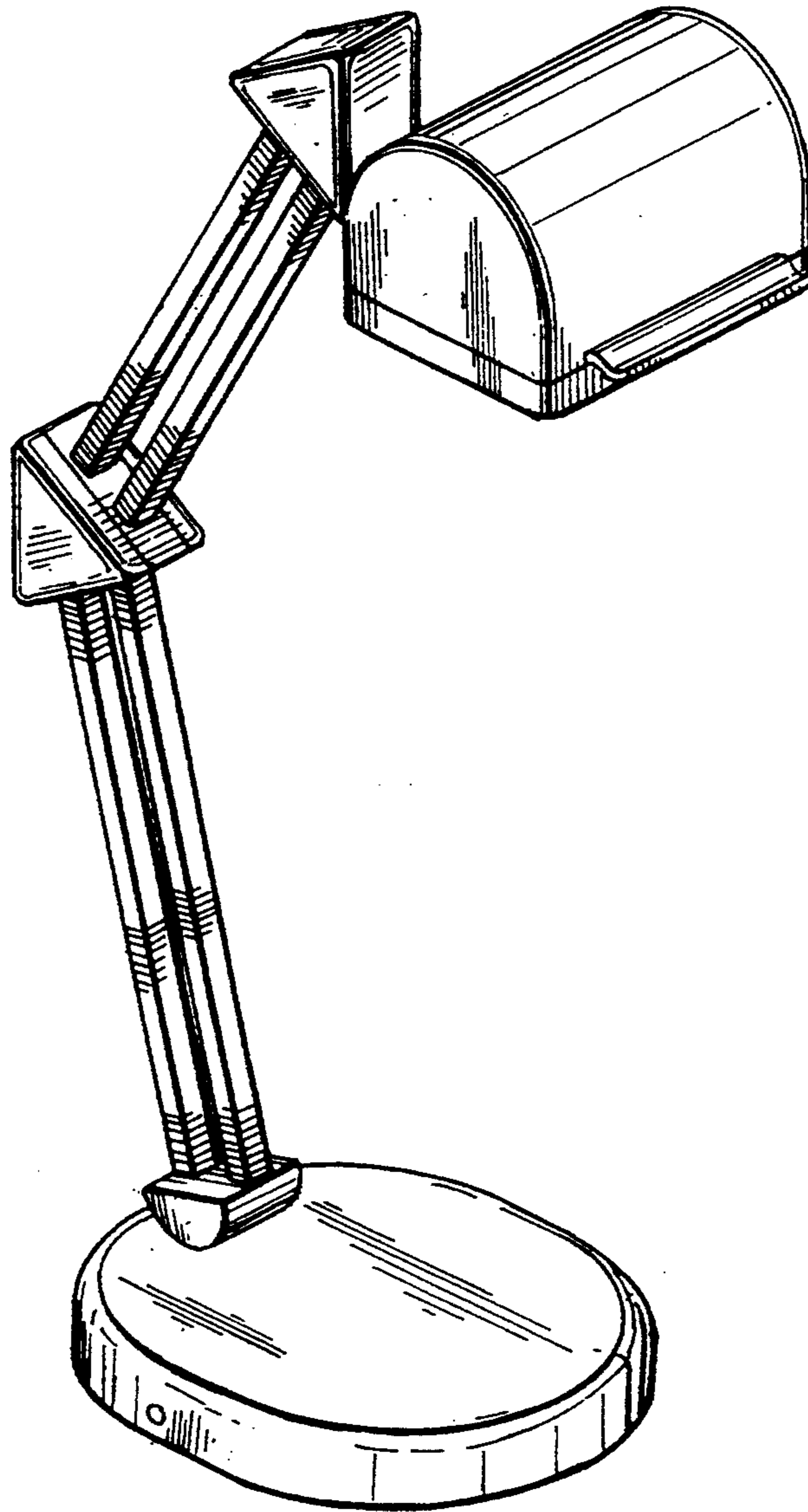


FIG. 7