



US00D351675S

United States Patent [19]

[11] Patent Number: **Des. 351,675**

Sharrah et al.

[45] Date of Patent: **** Oct. 18, 1994**

- [54] **COMBINED FLASHLIGHT AND RECHARGER THEREFOR**
- [75] Inventors: **Raymond L. Sharrah**, Collegeville; **Charles W. Craft**, Lansdale; **Paul A. Jordan**, Audubon, all of Pa.
- [73] Assignee: **Streamlight, Inc.**, Norristown, Pa.
- [**] Term: **14 Years**
- [21] Appl. No.: **3,683**
- [22] Filed: **Jan. 13, 1993**
- [52] U.S. Cl. **D26/38**
- [58] **Field of Search** 362/157, 158, 160, 161, 362/168, 171, 172, 173, 178, 180, 183, 184, 186, 197, 198, 200, 201, 202, 203, 204, 205, 206, 207, 208; D26/37-50

- 4,777,582 10/1988 Sharrah .
- 4,843,526 6/1989 Price, III .
- 5,008,785 4/1991 Maglica et al. .
- 5,113,326 5/1992 Maglica .

Primary Examiner—Wallace R. Burke
Assistant Examiner—Marcus Jackson
Attorney, Agent, or Firm—Dann, Dorfman, Herrell and Skillman

[57] CLAIM

The ornamental design for a combined flashlight and recharger therefor, as shown and described.

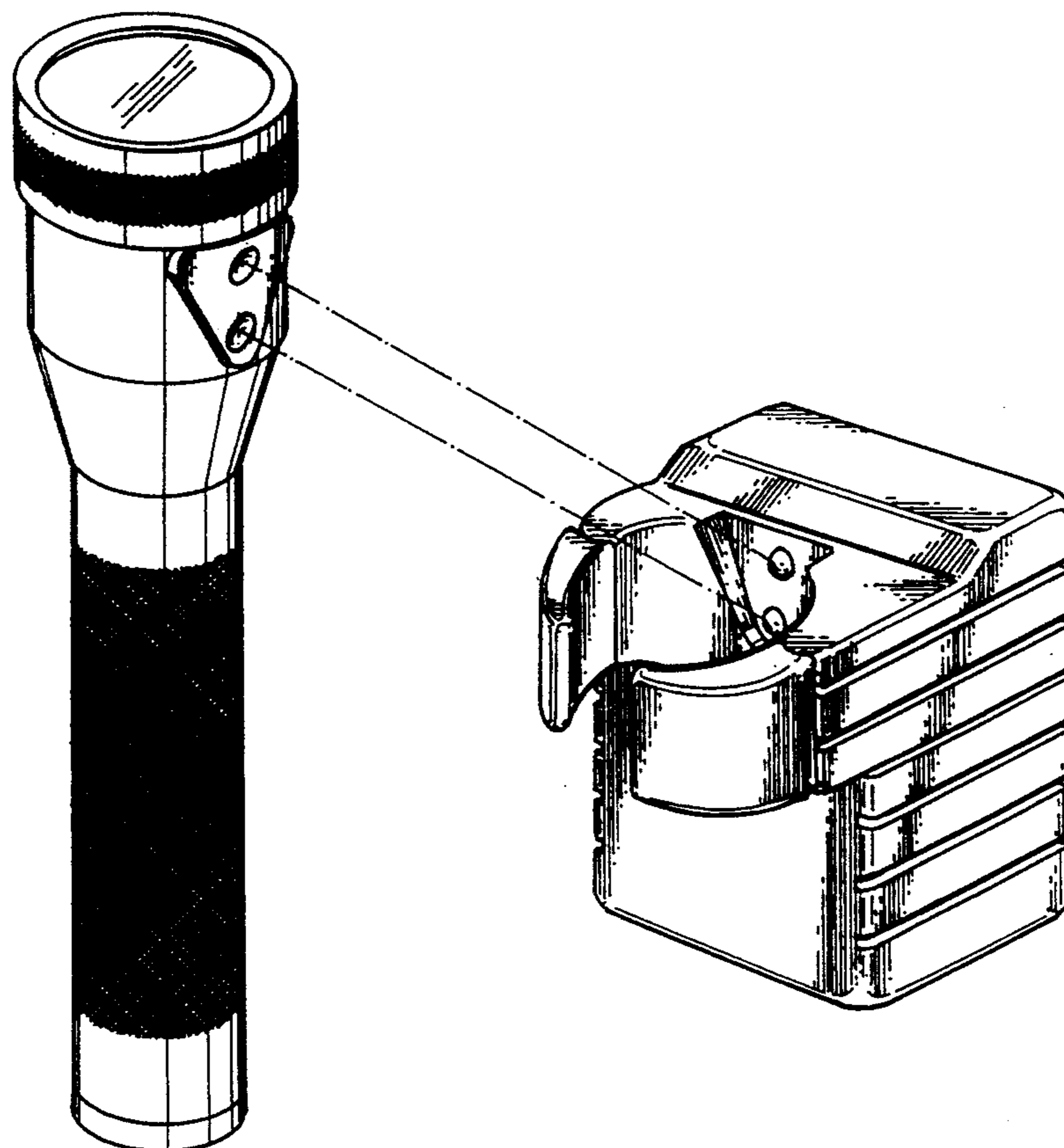
DESCRIPTION

FIG. 1 is a perspective view of a combined flashlight and recharger therefor showing our new design; FIG. 2 is a side elevational view thereof, with the opposite side being a mirror image, and with the flashlight shown separately for clarity of illustration only; FIG. 3 is a rear elevational view thereof; FIG. 4 is a front elevational view thereof; FIG. 5 is a plan view thereof; FIG. 6 is a top plan view thereof; FIG. 7 is a side elevational view thereof, with the opposite side being a mirror image, and with the recharger shown separately for clarity of illustration only; FIG. 8 is a front elevational view thereof; FIG. 9 is a plan view of the top thereof; FIG. 10 is a plan view of the bottom thereof; and, FIG. 11 is an elevational view thereof.

[56] References Cited

U.S. PATENT DOCUMENTS

D. 308,253	5/1990	Battles et al.	D26/38
D. 312,509	11/1990	Sharrah	D26/49
D. 333,527	2/1993	Zeung	D26/49
D. 334,993	4/1993	Zee	D26/38
3,829,676	8/1974	Nelson et al. .	
3,835,272	9/1974	Wisnbaker	362/206
4,092,580	5/1978	Prinsze .	
4,171,534	10/1979	Strowe .	
4,286,311	8/1981	Maglica .	
4,388,673	6/1983	Maglica .	



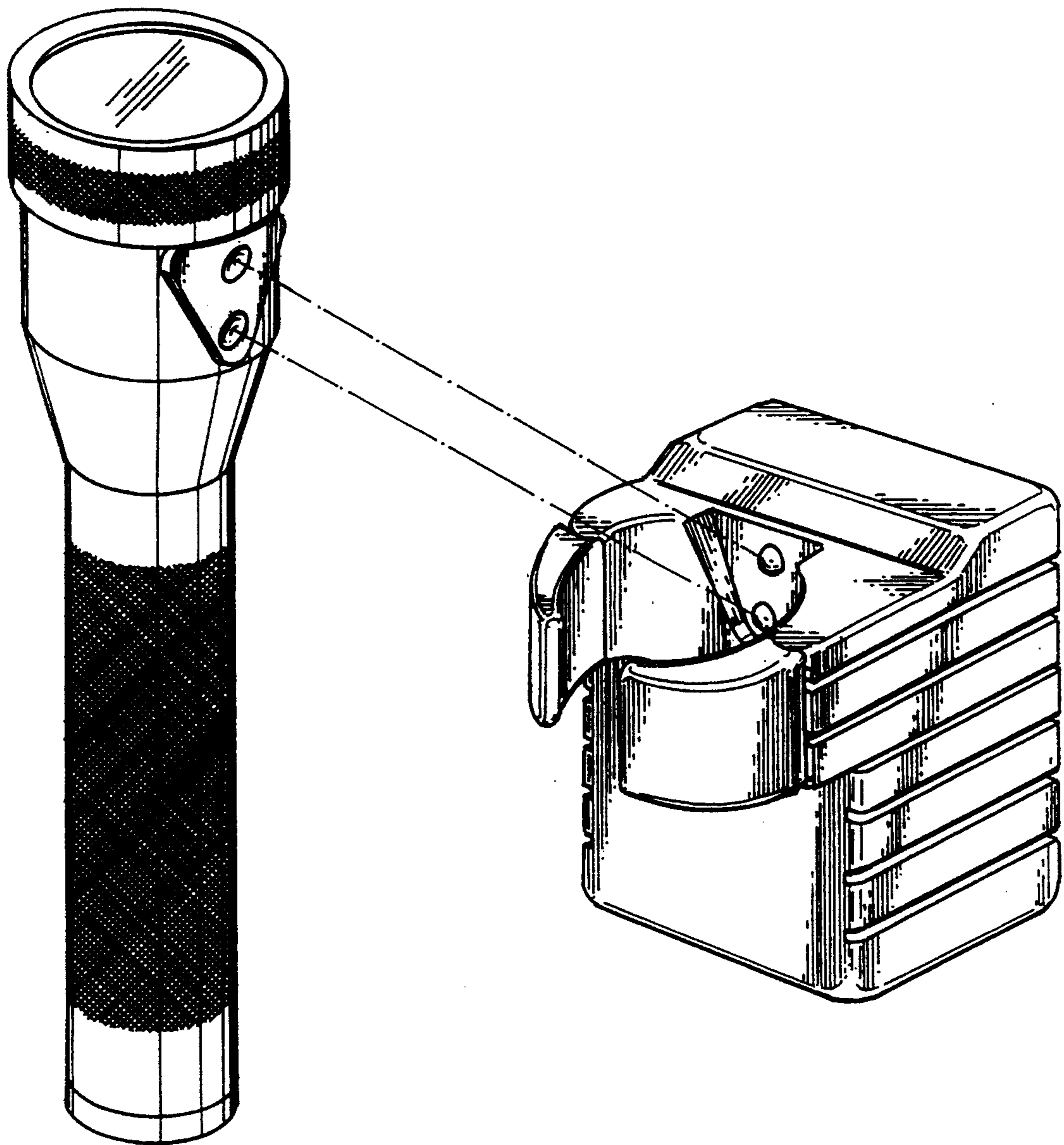


FIG. 1

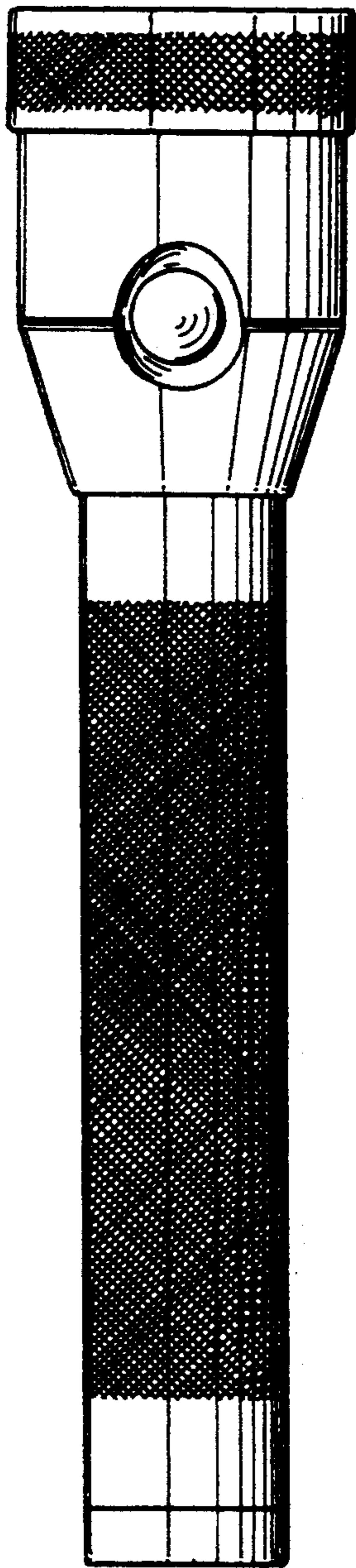


FIG. 3

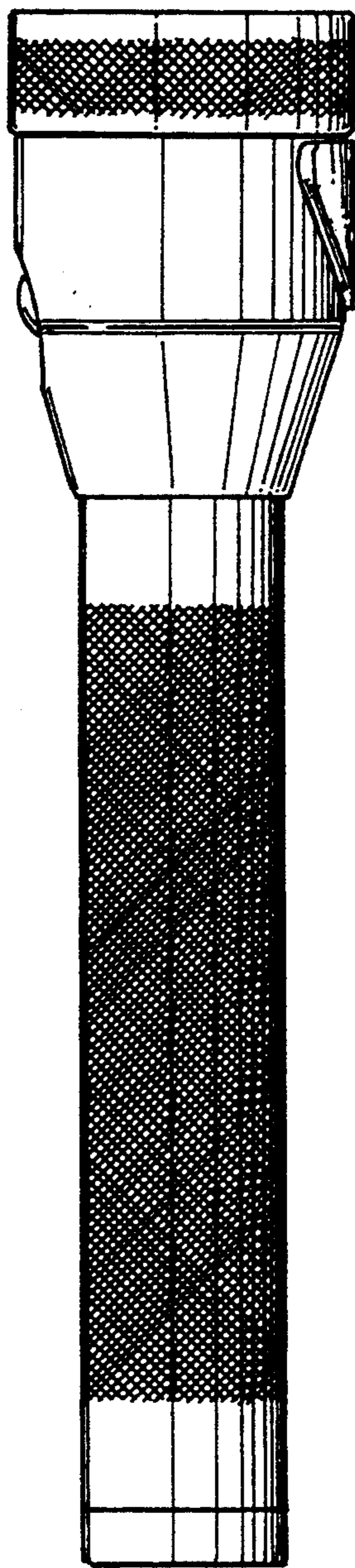


FIG. 2

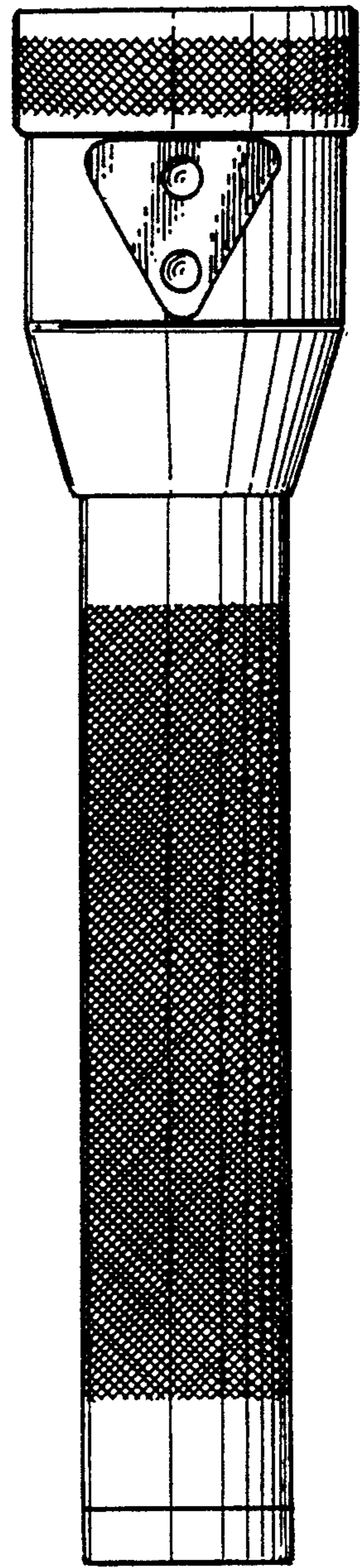


FIG. 4

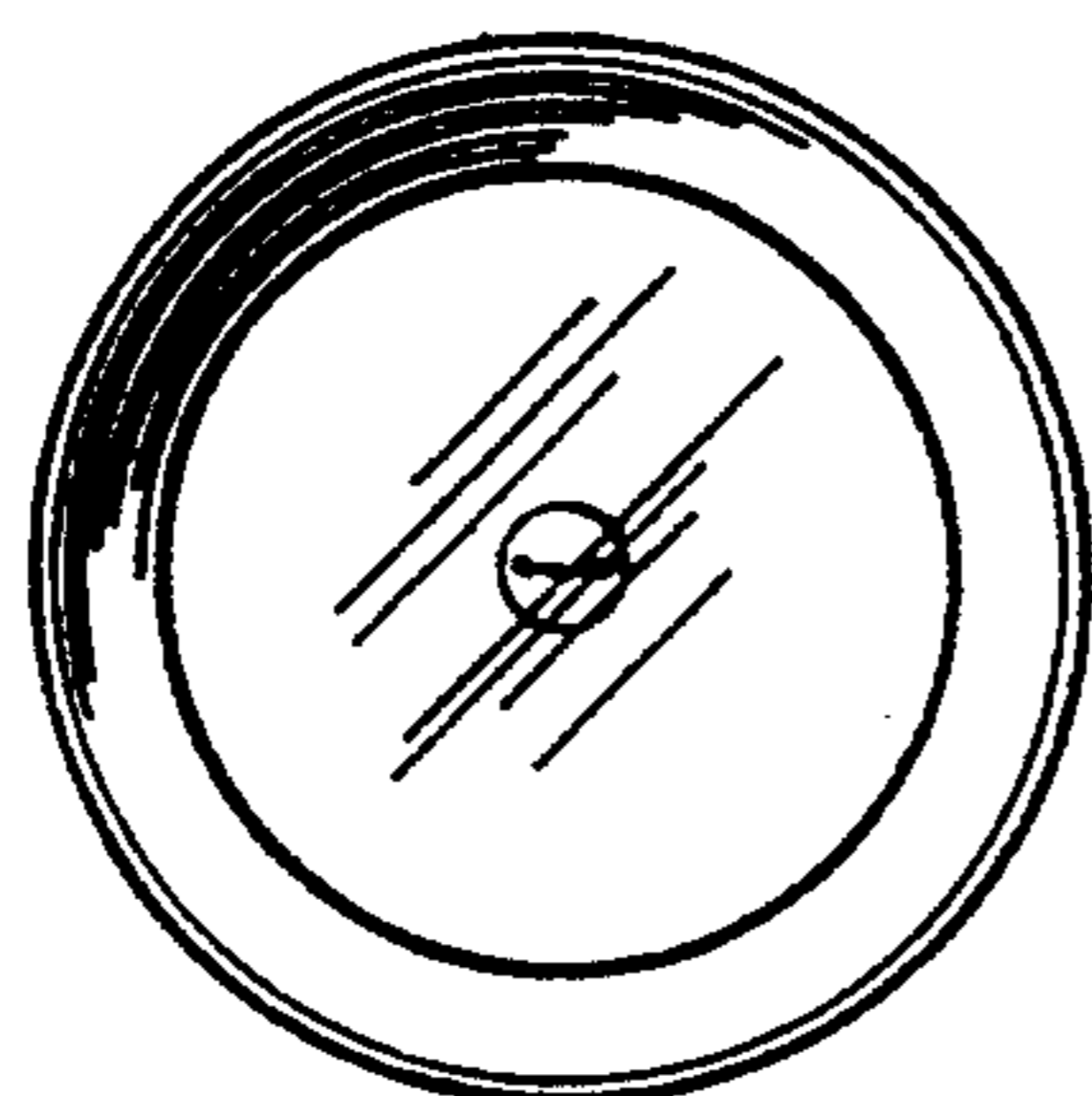


FIG. 6

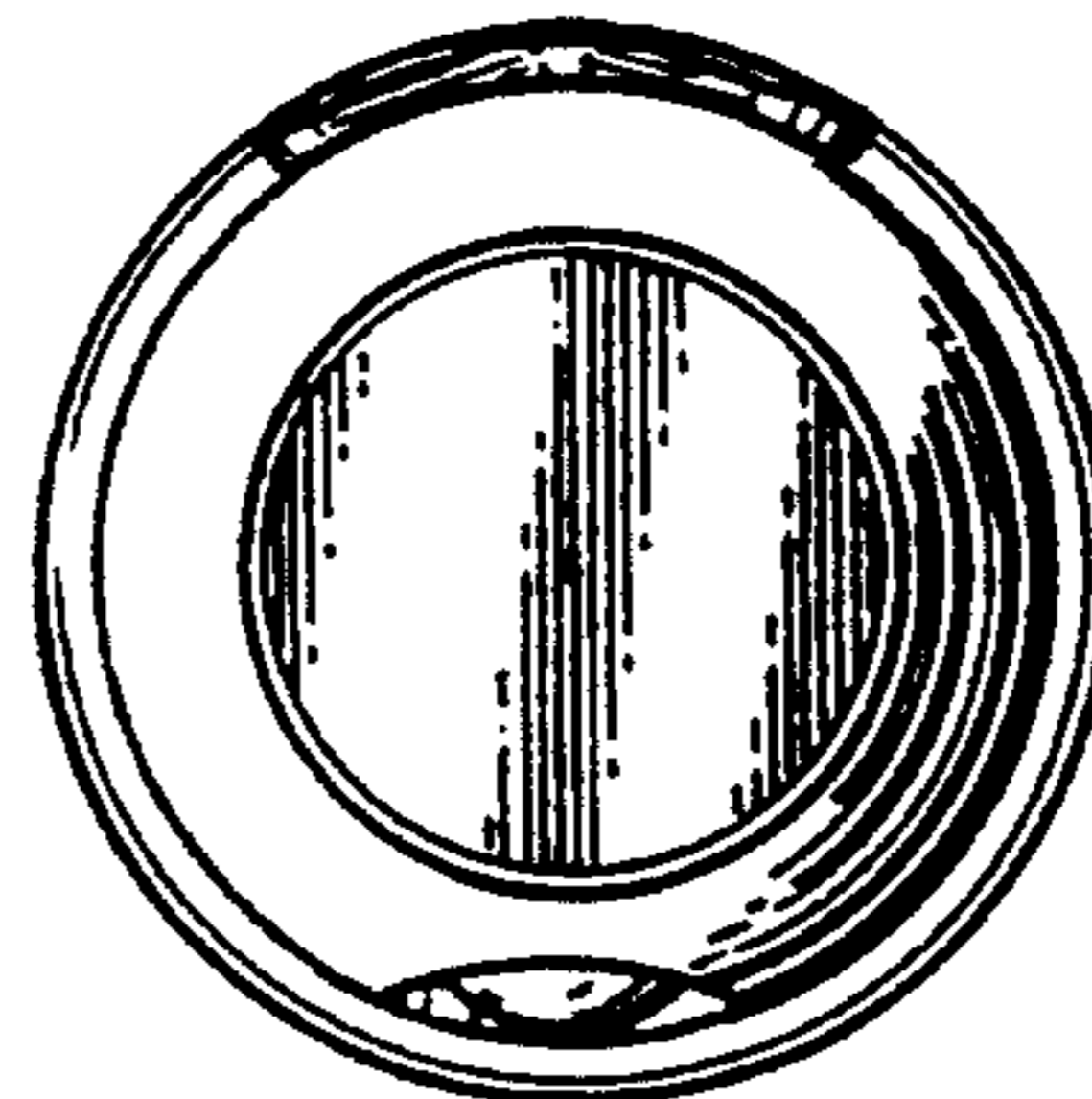


FIG. 5

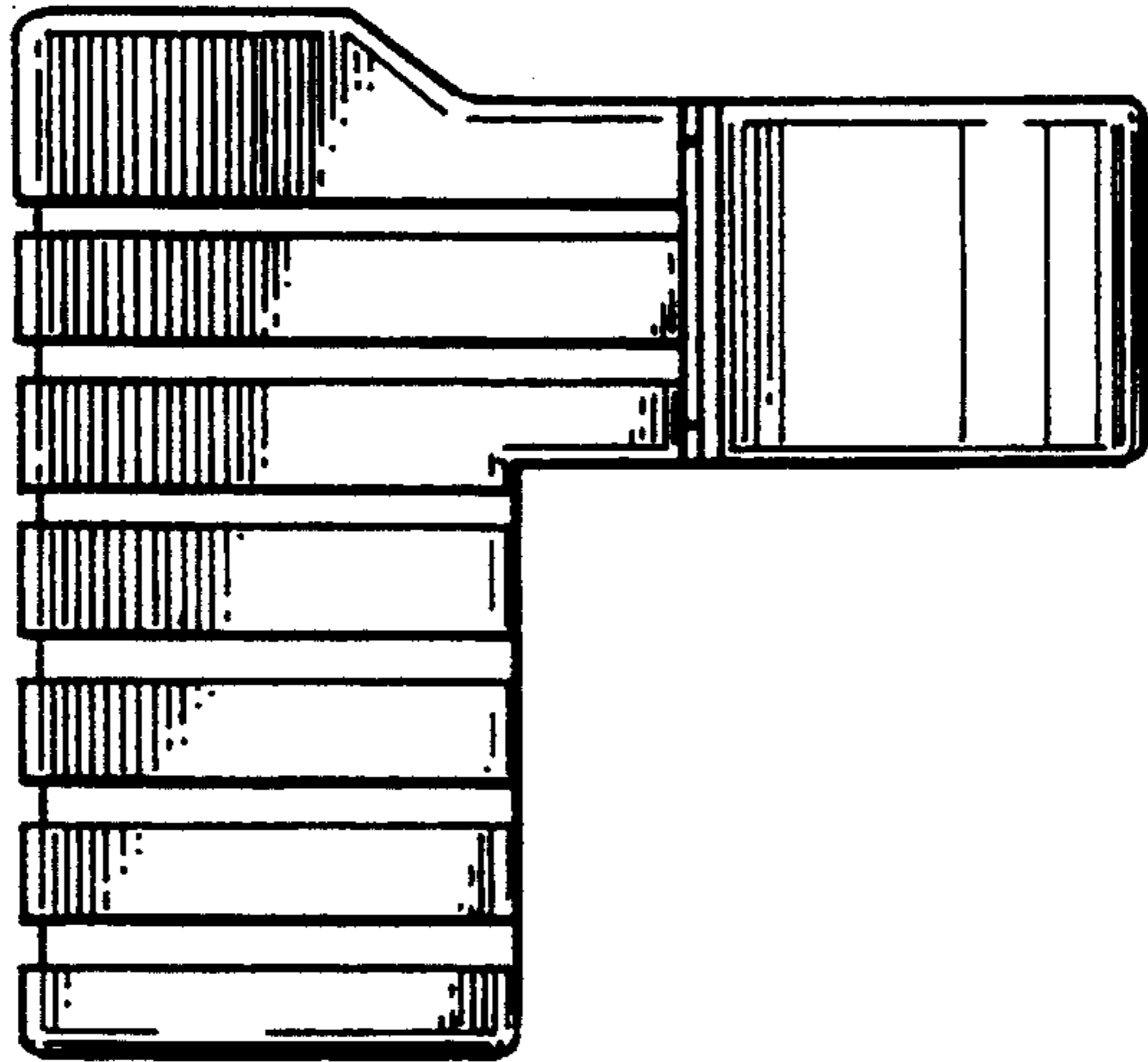


FIG. 7

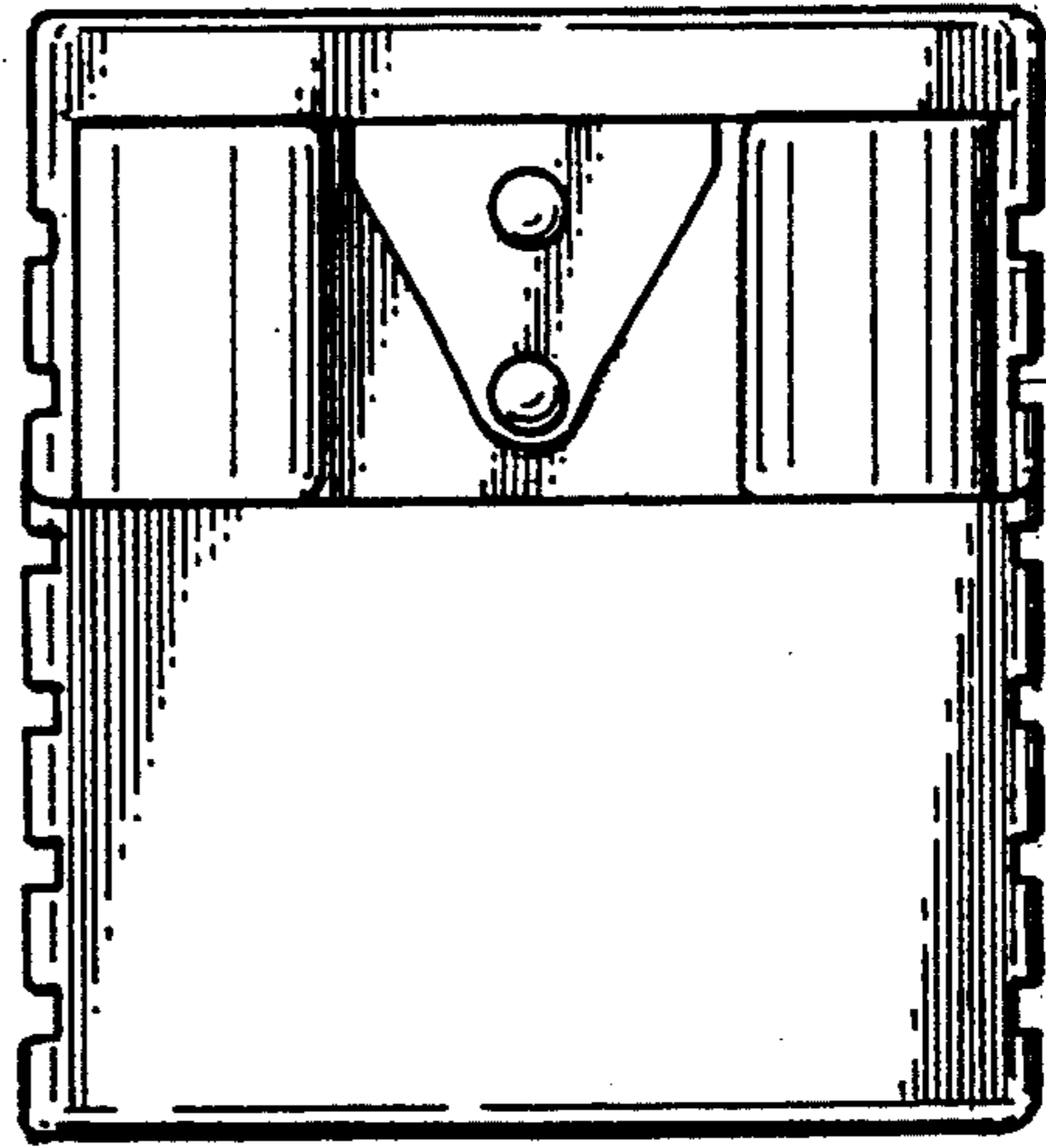


FIG. 8

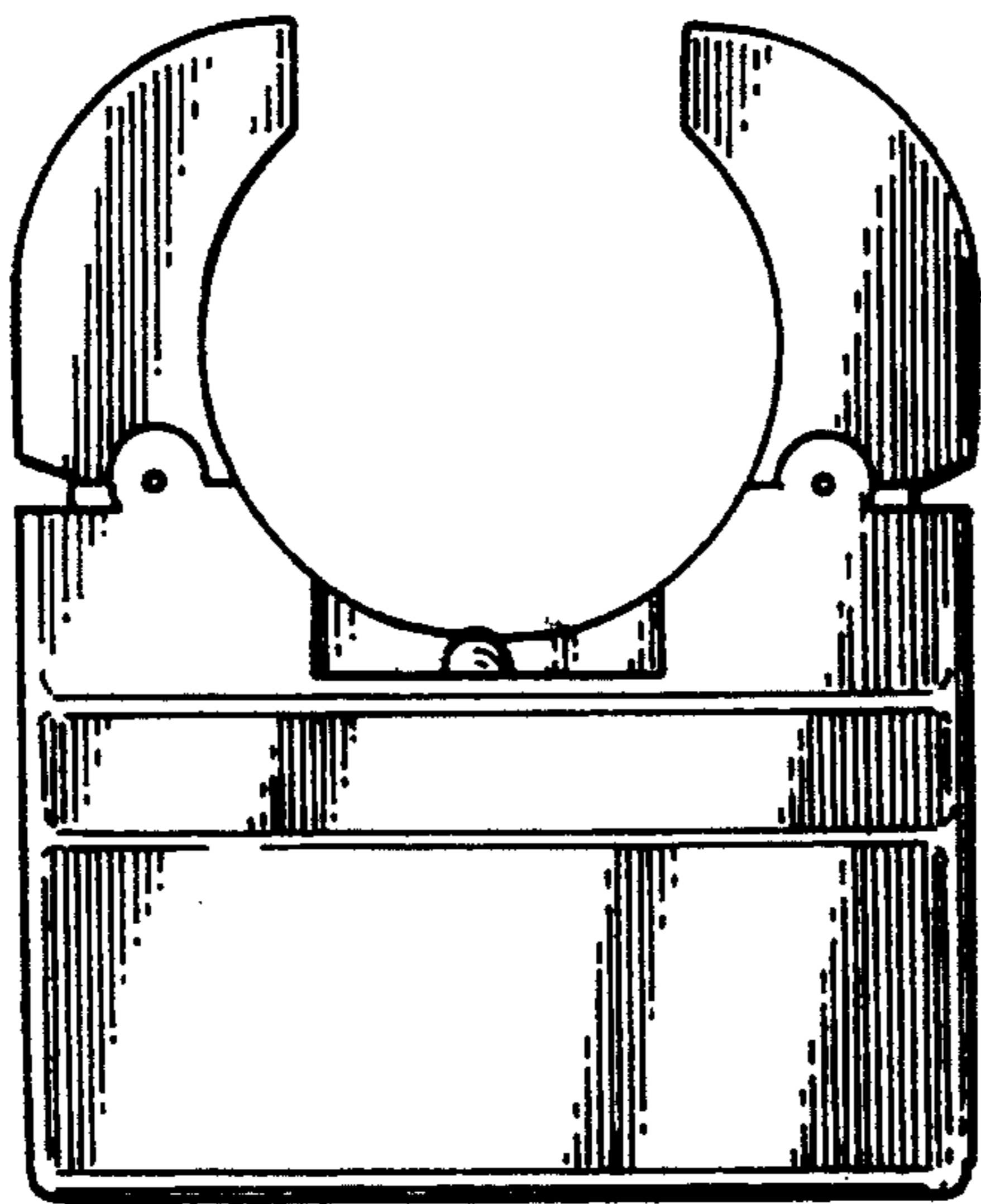


FIG. 9

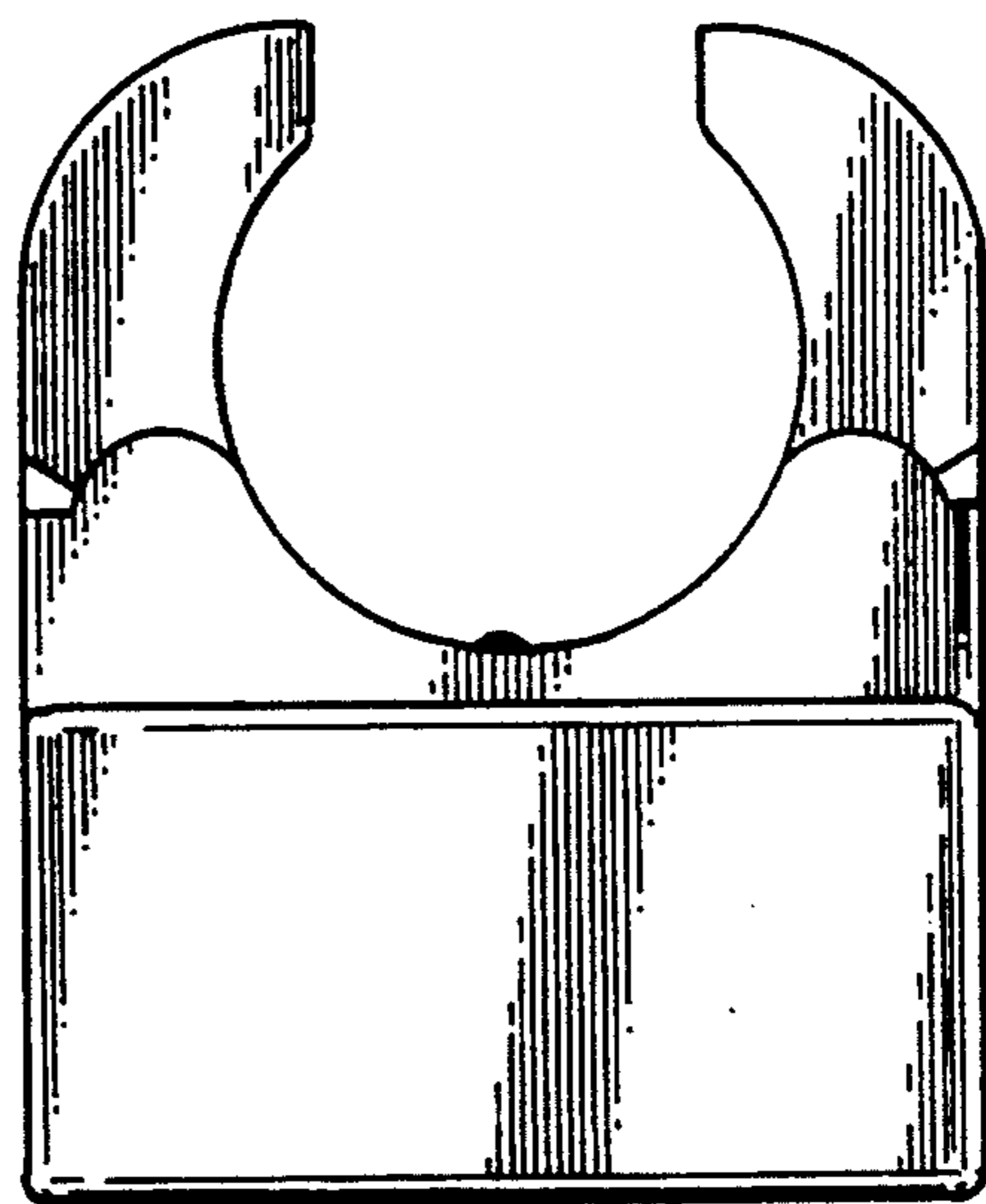


FIG. 10

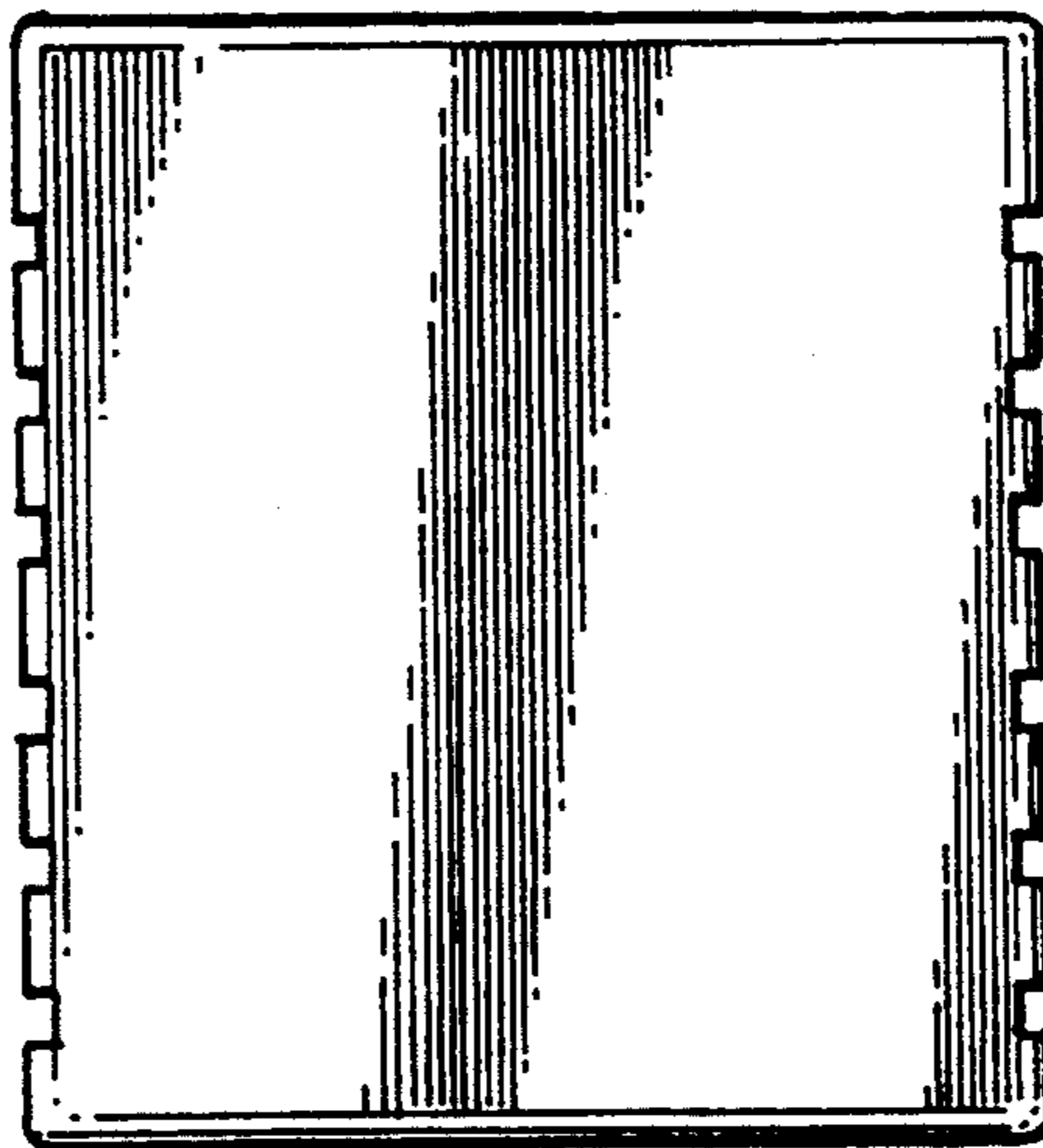


FIG. 11