



US00D351674S

United States Patent [19]

[11] Patent Number: **Des. 351,674**

Journeau et al.

[45] Date of Patent: **** Oct. 18, 1994**

[54] **HAND-HELD LIGHT FOR PERSONAL PROTECTION**

4,819,137 4/1989 Hamilton 273/84
4,967,322 10/1990 DuBois 273/84

[76] Inventors: **Michael J. Journeau; Renee Vukovich**, both of 18479 Conley St., Detroit, Mich. 48234

Primary Examiner—Wallace R. Burke
Assistant Examiner—Marcus Jackson
Attorney, Agent, or Firm—Terry M. Gernstein

[**] Term: **14 Years**

[57] **CLAIM**

[21] Appl. No.: **2,398**

The ornamental design for a hand-held light for personal protection, as shown and described.

[22] Filed: **Dec. 11, 1992**

DESCRIPTION

[52] U.S. Cl. **D26/38; D10/106**

[58] **Field of Search** 362/157, 158, 160, 161, 362/168, 171, 172, 173, 178, 180, 183, 184, 186, 197, 198, 201, 202, 203, 204, 205, 206, 207, 208; 273/84; D26/37-50; D10/104, 106, 114, 121

FIG. 1 is a front, top and side perspective view of the hand-held light for personal protection showing our new design;

FIG. 2 is a side elevational view thereof;

FIG. 3 is a side elevational view thereof;

FIG. 4 is a front elevational view thereof;

FIG. 5 is a rear elevational view thereof;

FIG. 6 is a top plan view thereof; and,

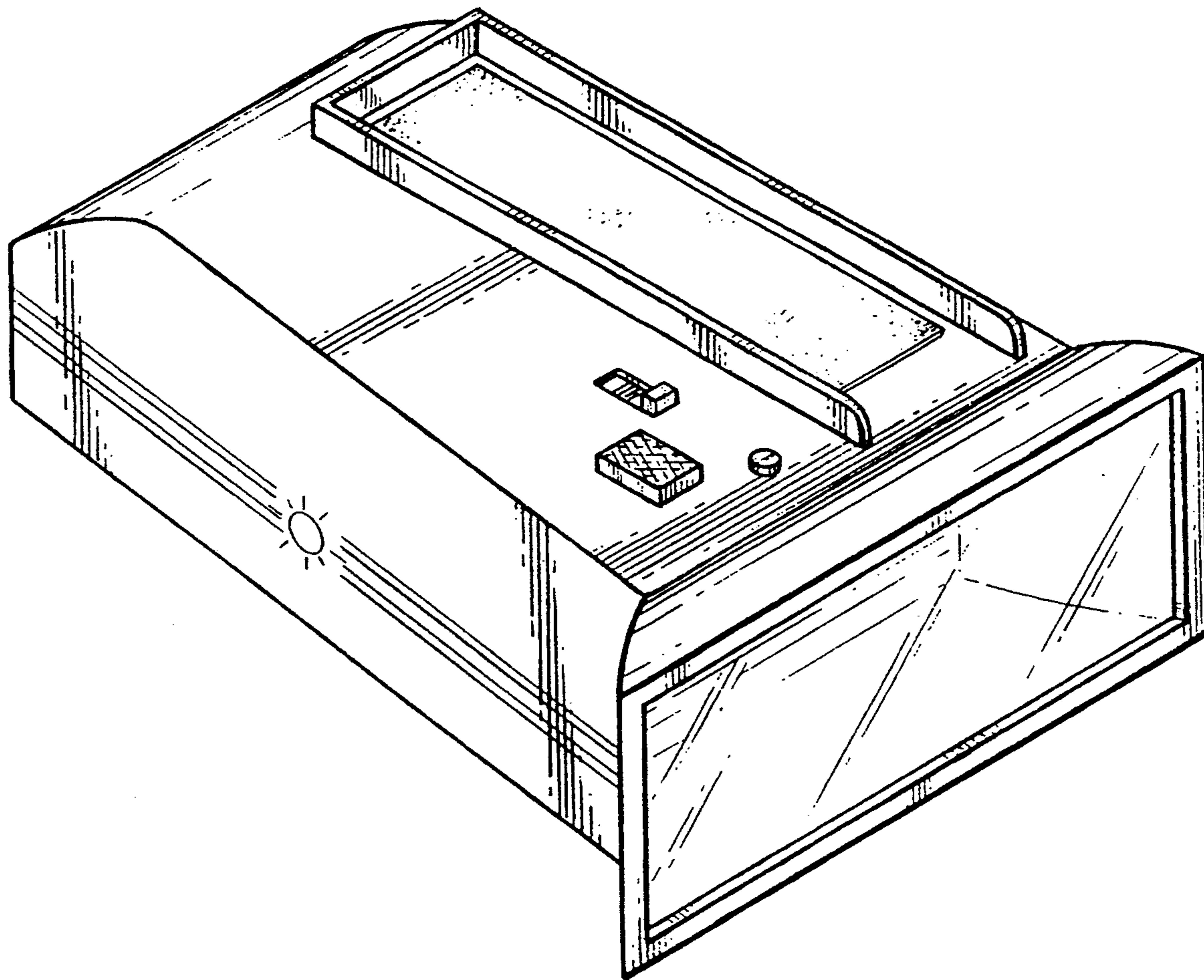
FIG. 7 is a bottom plan view thereof.

The personal protection light is used for blinding an attacker.

[56] **References Cited**

U.S. PATENT DOCUMENTS

D. 338,165 8/1993 Gregori et al. D10/104
2,767,390 10/1956 Free et al. D10/114
4,486,807 12/1984 Yanez 273/84



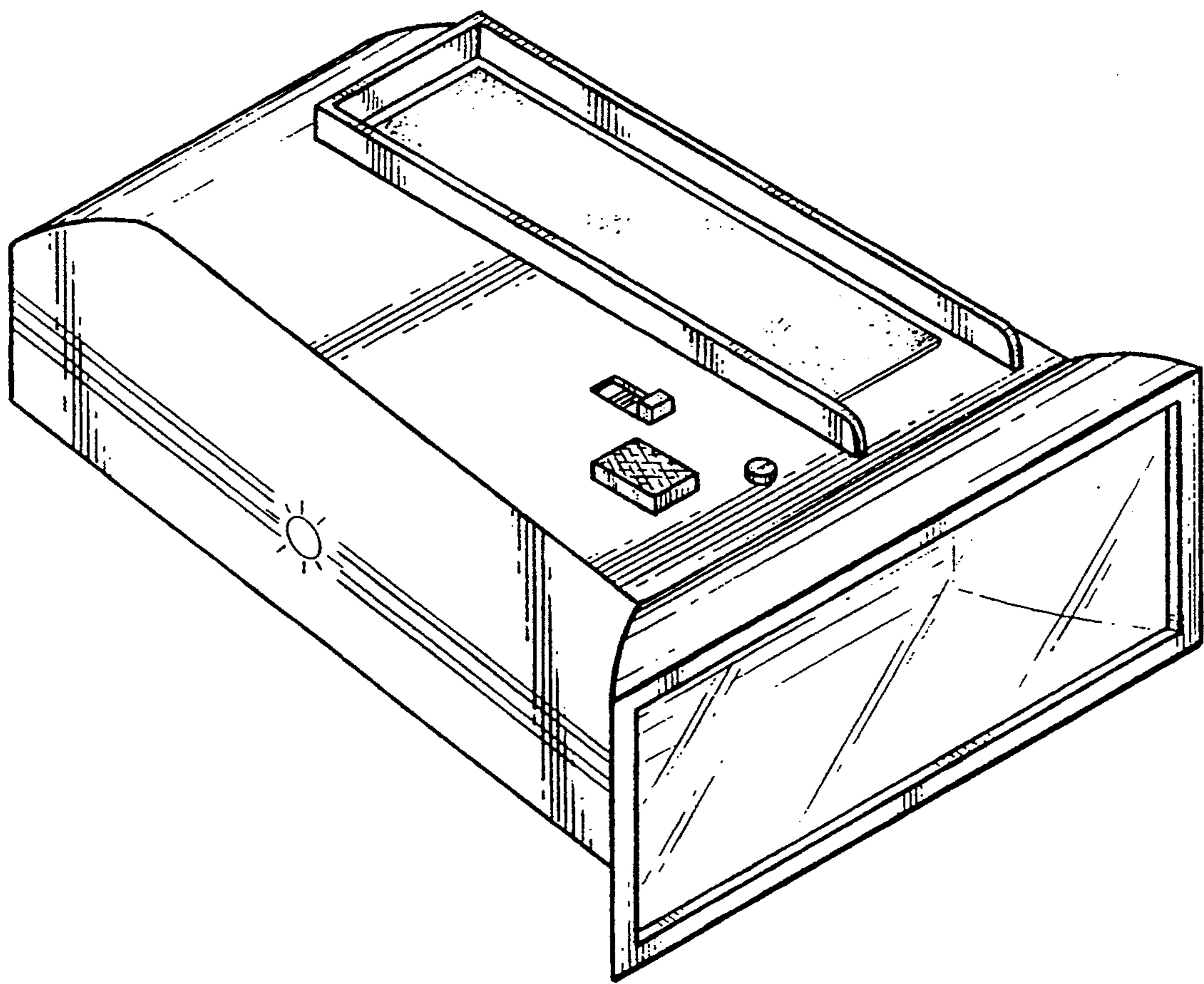


FIG. 1

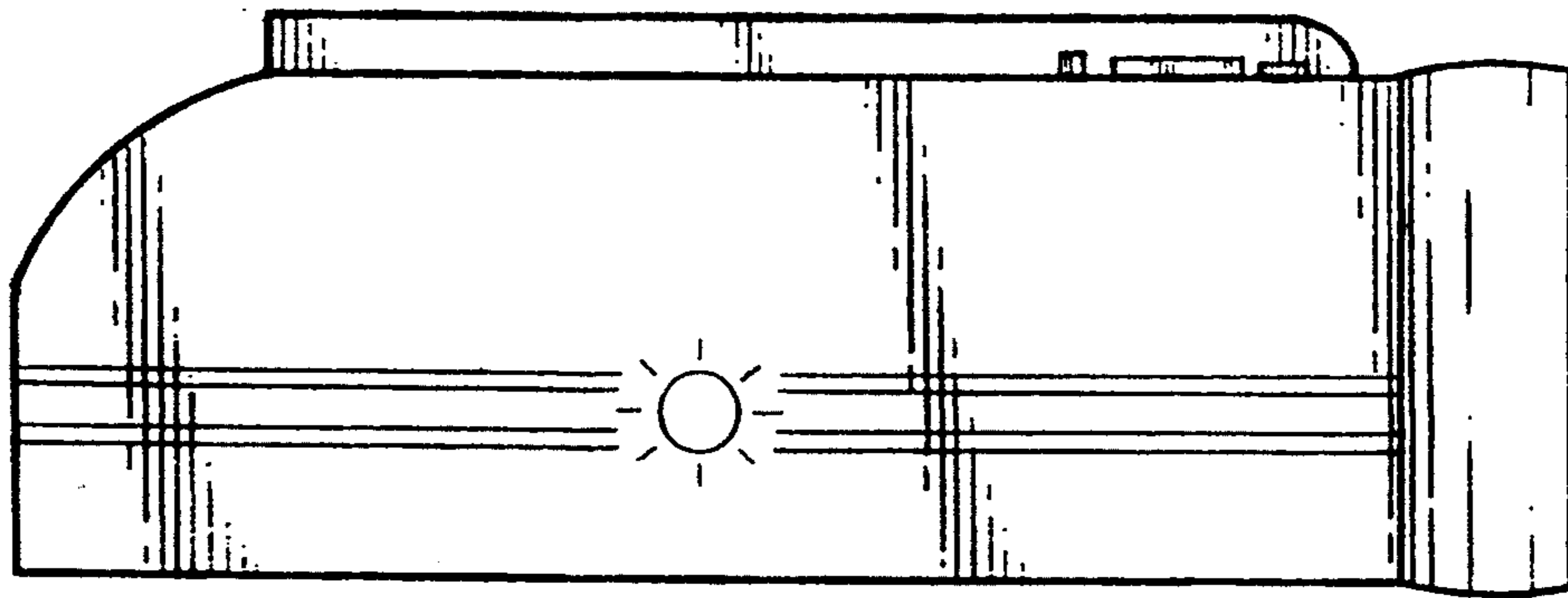


FIG. 2

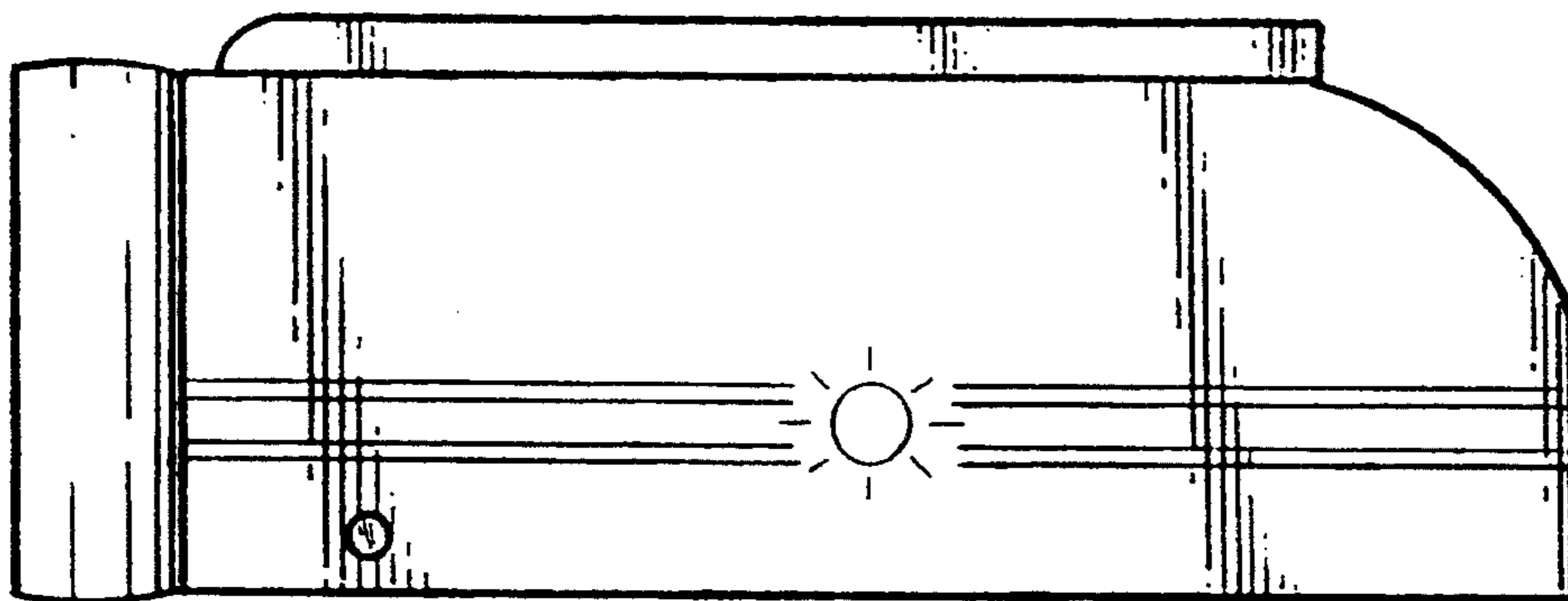


FIG. 3

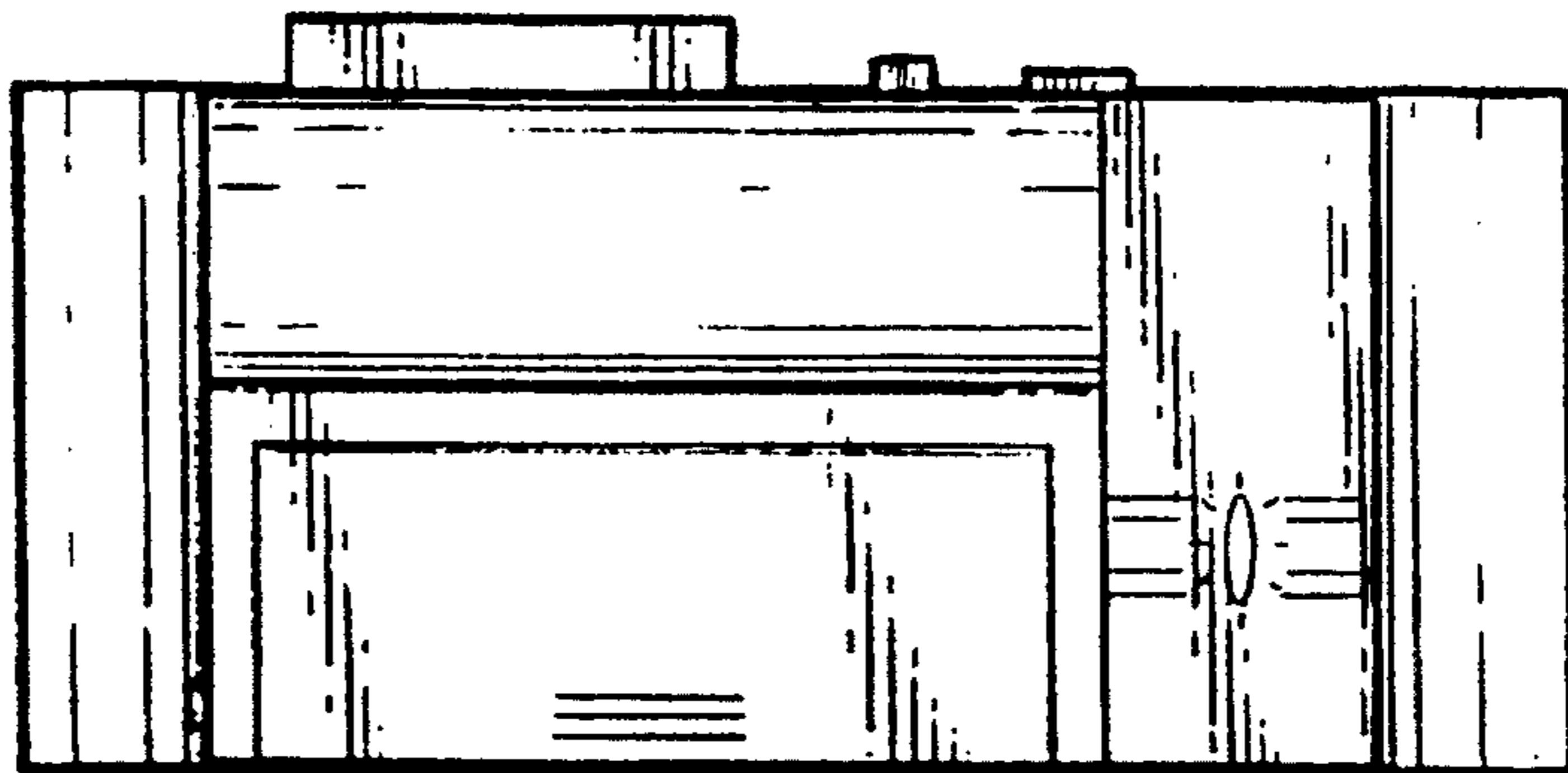


FIG. 4

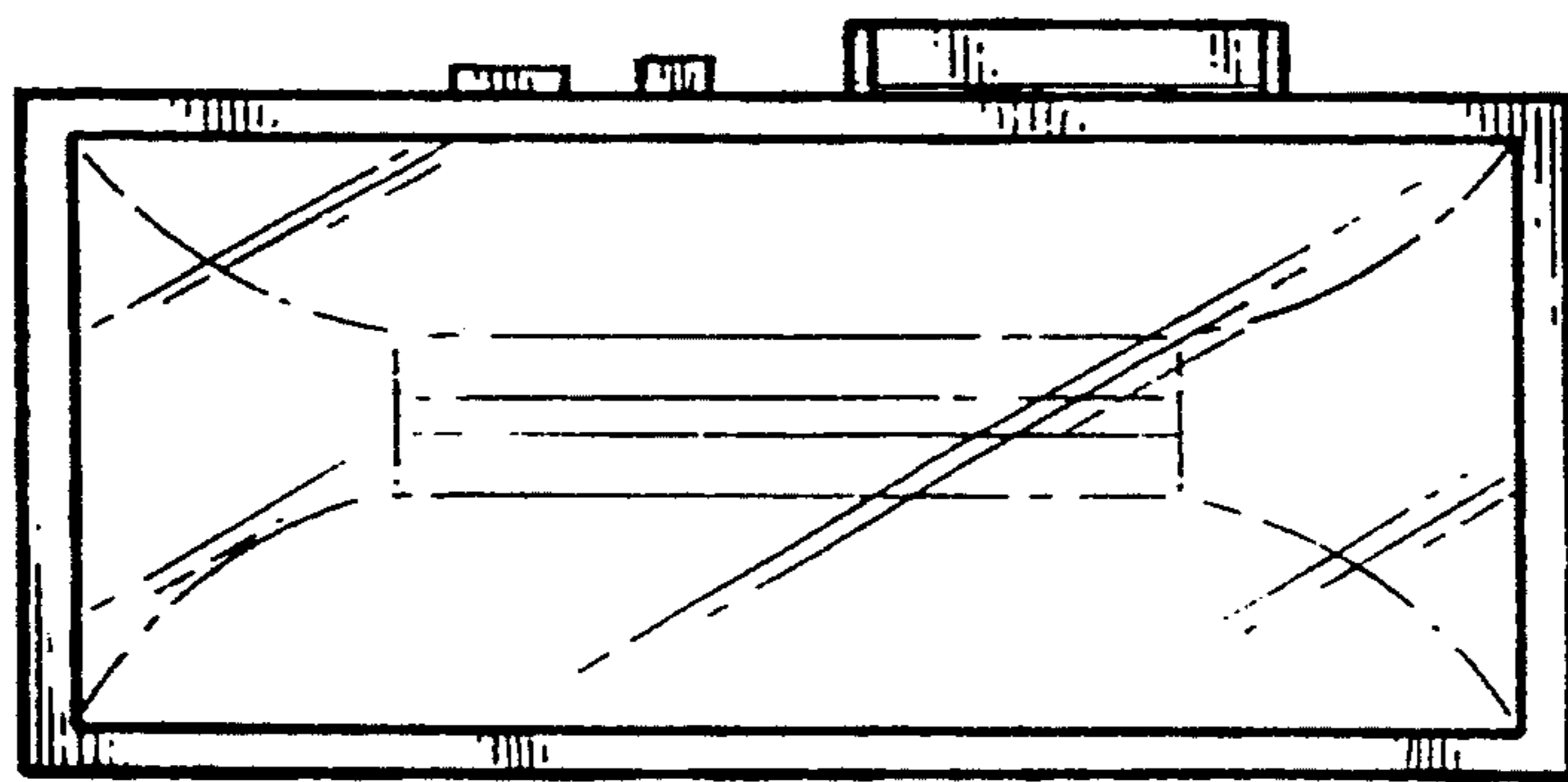


FIG. 5

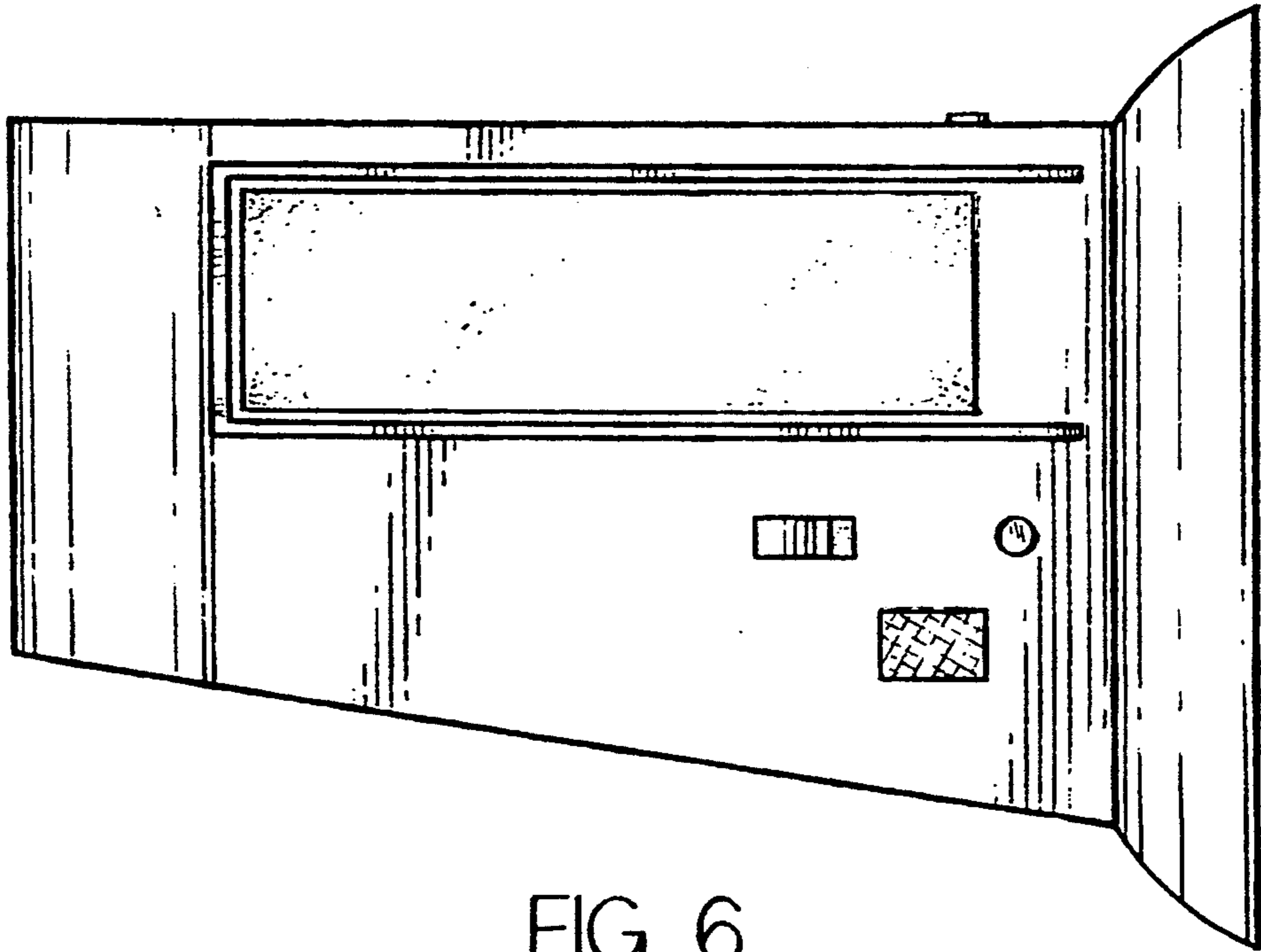


FIG. 6

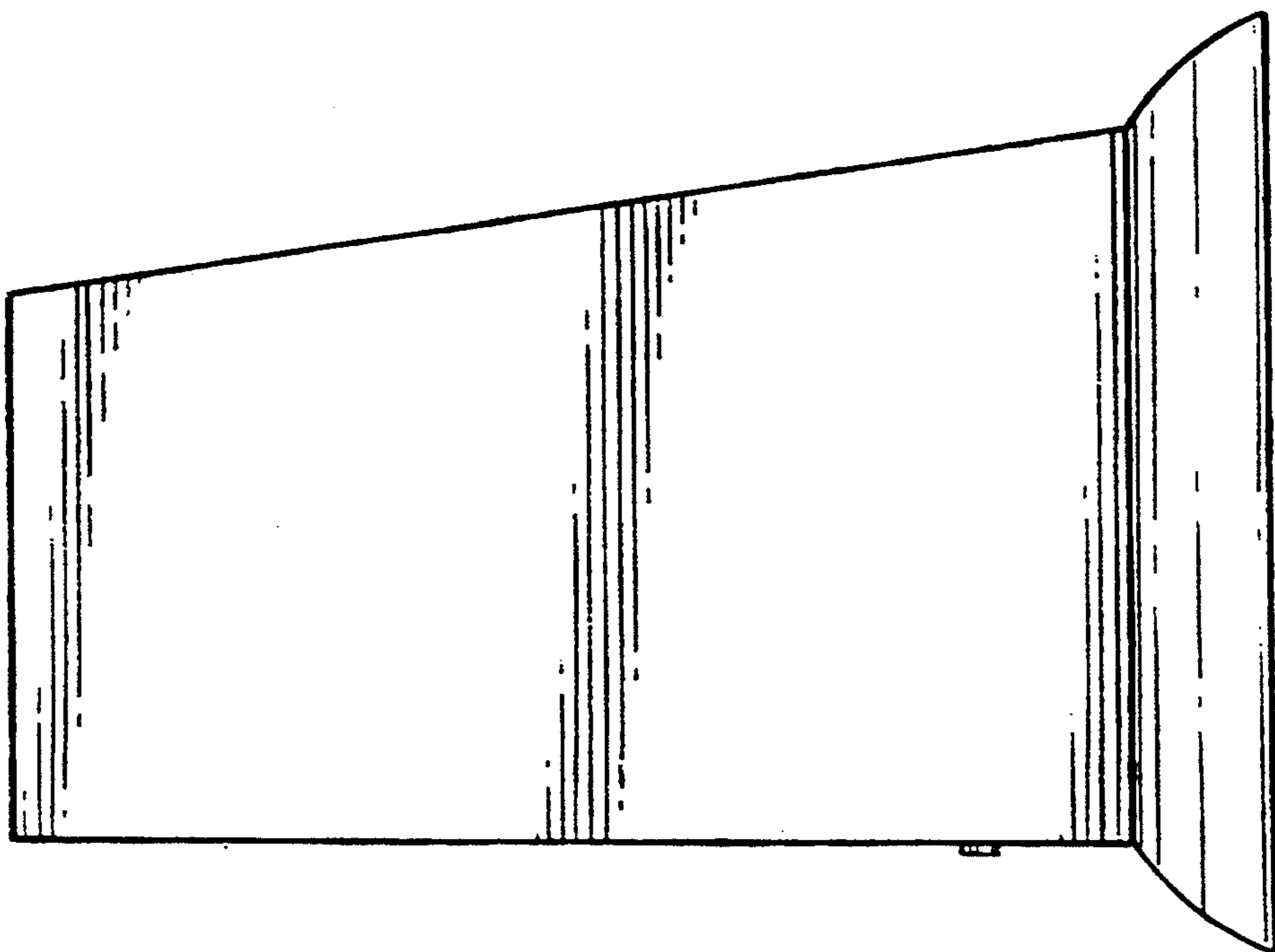


FIG. 7