



US00D351668S

# United States Patent [19]

[11] Patent Number: Des. 351,668

Lim et al.

[45] Date of Patent: \*\* Oct. 18, 1994

[54] CURVED MOUNTED CEILING PANEL

[75] Inventors: **Guy H. Lim; Cornelis Louwerens**, both of NB Rotterdam; **Willem Rijnders**, XH Papendrecht, all of Netherlands

[73] Assignee: **Hunter Douglas International N.V.**, Curacao, Netherlands

[\*\*] Term: **14 Years**

[21] Appl. No.: **646,016**

[22] Filed: **Jan. 23, 1991**

[30] Foreign Application Priority Data

Jul. 23, 1990 [WO] World Int. Prop. O. .... DM/017196

[52] U.S. Cl. .... **D25/121; D25/138**

[58] Field of Search ..... 52/460, 461, 238.1, 52/462, 478, 470; D25/58, 138, 119-121

[56] References Cited

U.S. PATENT DOCUMENTS

- 1,909,930 5/1933 Ridder ..... D25/121
- 3,330,080 7/1967 Grieb et al. .... D25/119
- 4,646,506 3/1987 Slapsys ..... 52/460
- 4,991,368 2/1991 Amstutz ..... 52/238.1

FOREIGN PATENT DOCUMENTS

- 45971/68 12/1973 Australia .
- MR0473 3/1987 Denmark .
- 1955780 6/1971 Fed. Rep. of Germany .
- 2353231 5/1975 Fed. Rep. of Germany .
- 3017103 11/1981 Fed. Rep. of Germany .
- 2081712 12/1971 France .
- 69411 5/1974 Luxembourg .
- 65823 12/1984 Norway .
- 415146 8/1934 United Kingdom .
- 986887 3/1965 United Kingdom .
- 1393346 5/1975 United Kingdom .
- 2021186 11/1979 United Kingdom .
- 2164972 4/1986 United Kingdom .

OTHER PUBLICATIONS

Rich Muller A/S, Catalog dated Sep. 12, 1984 p. 1.

*Primary Examiner*—A. Hugo Word

*Assistant Examiner*—Doris Clark

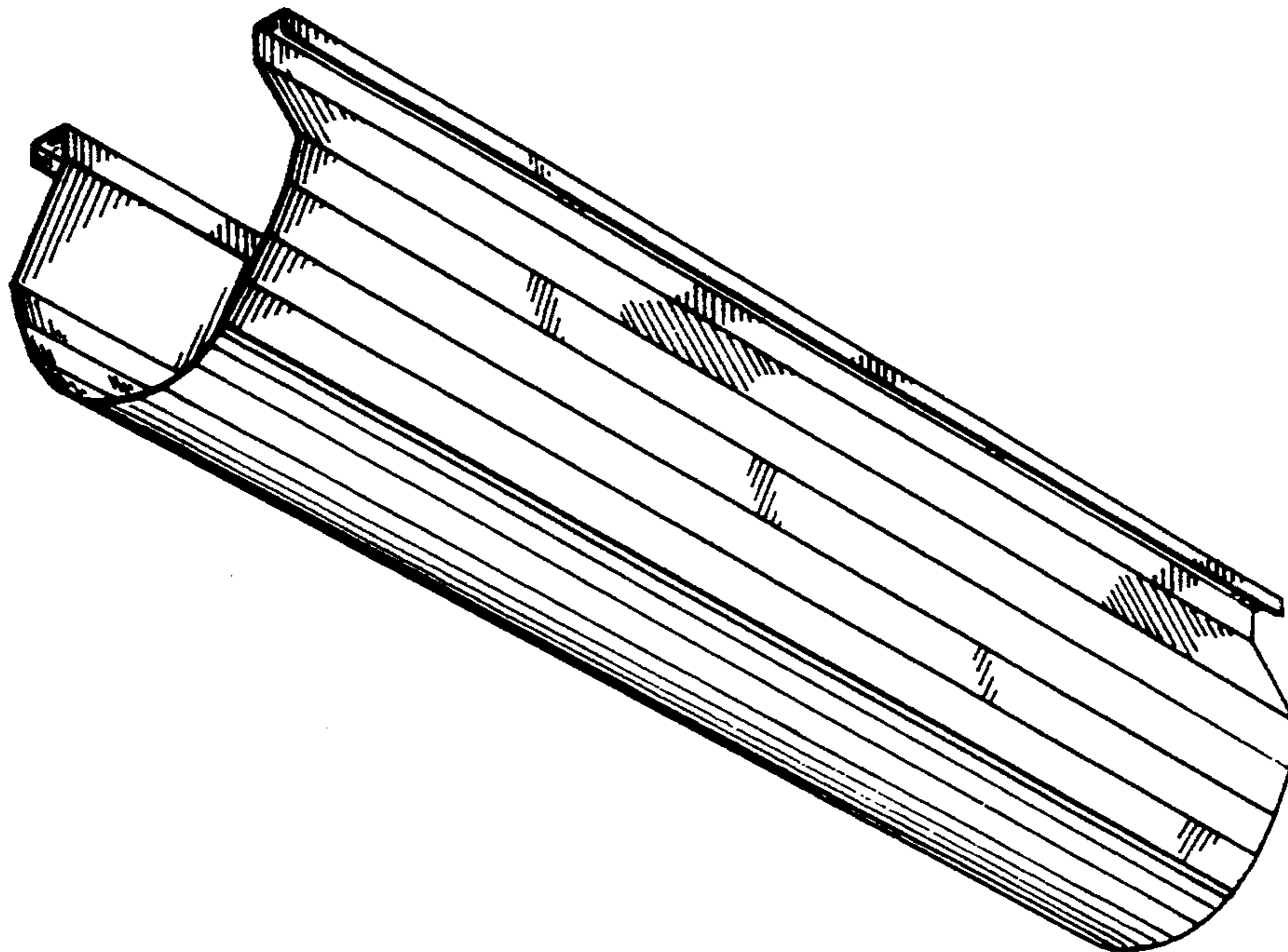
*Attorney, Agent, or Firm*—Gary M. Polumbus

[57] CLAIM

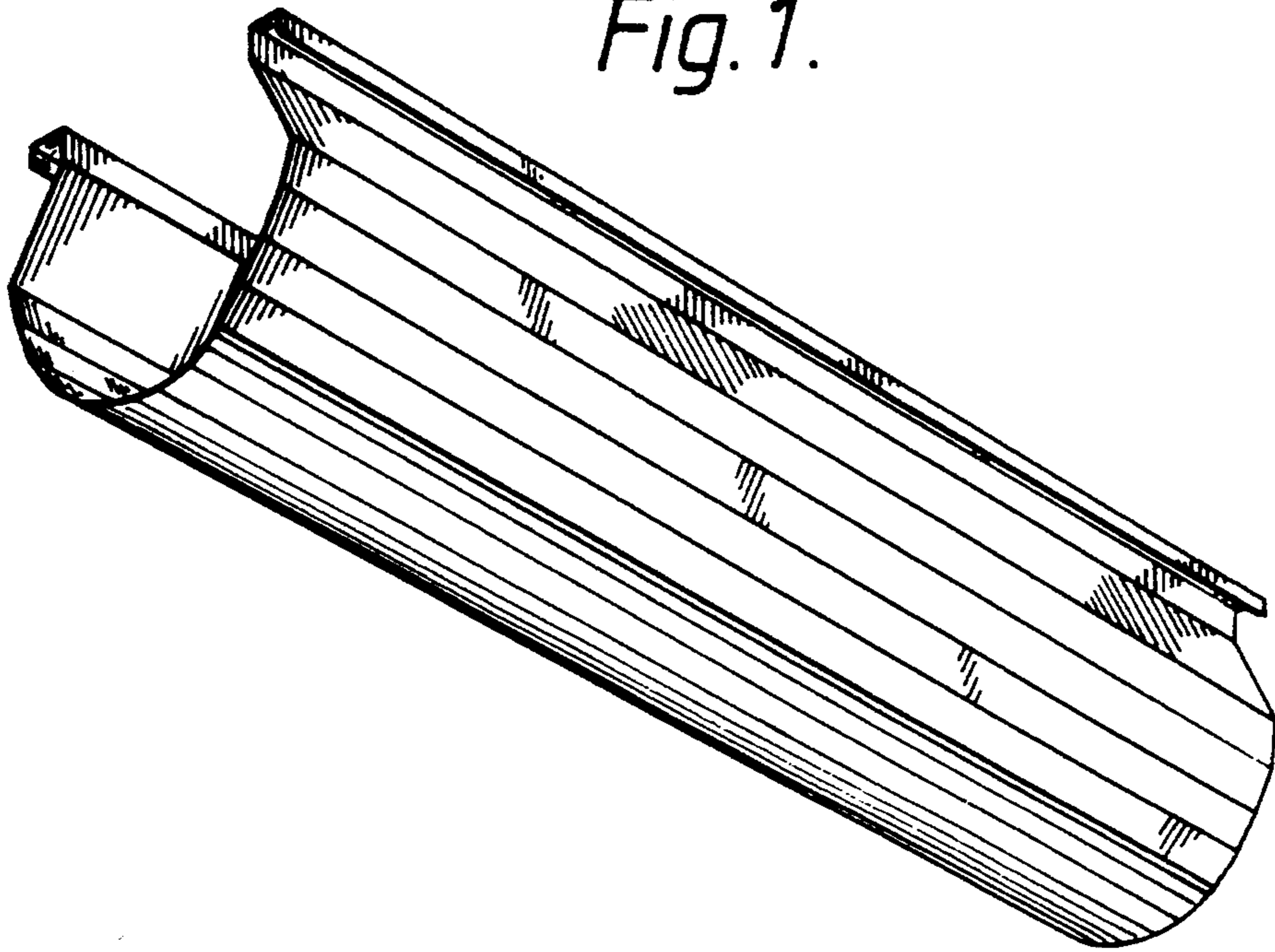
The ornamental design for a curved mounted ceiling panel, as shown and described.

DESCRIPTION

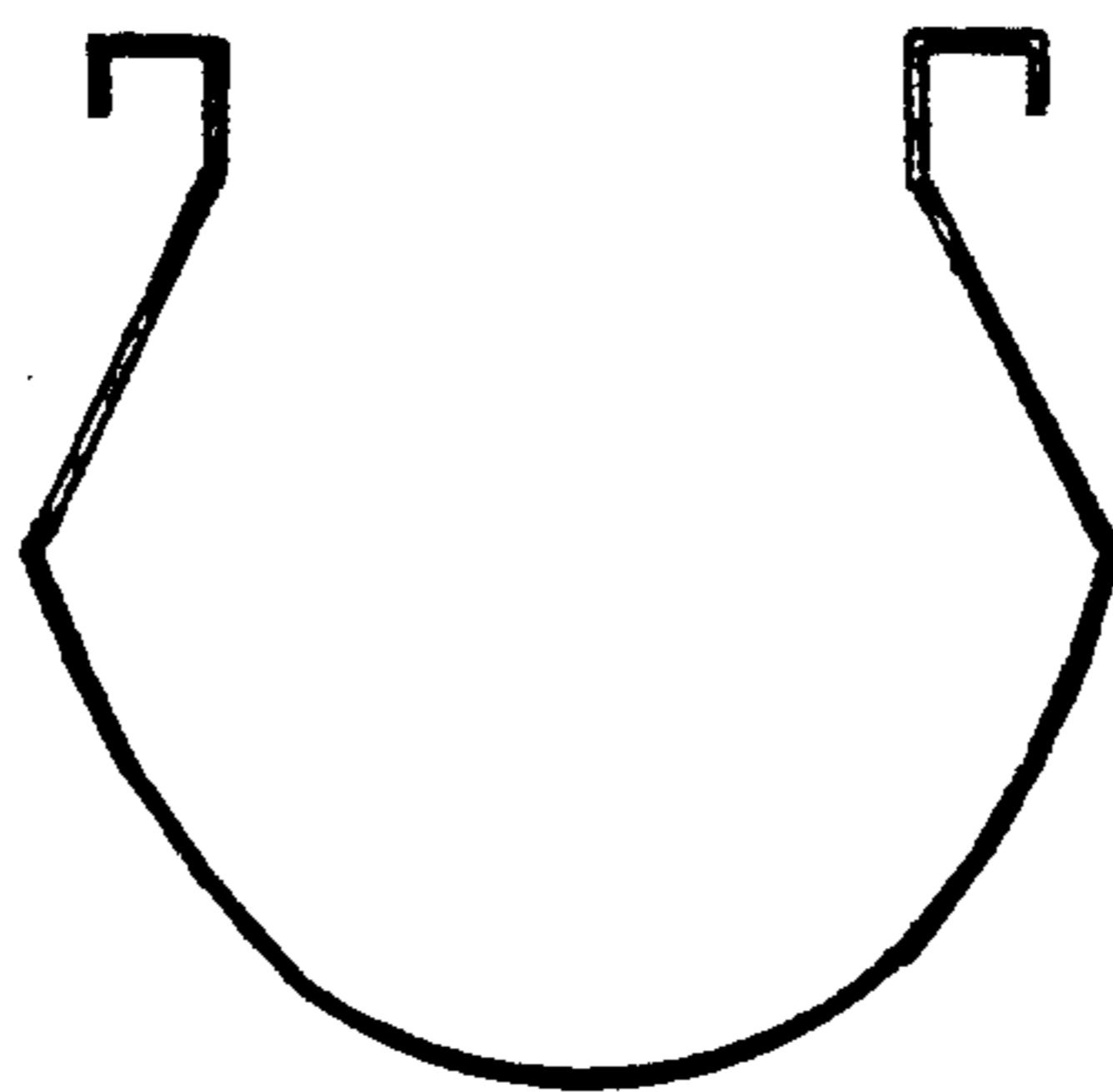
FIG. 1 is a perspective view of a curved mounted ceiling panel showing our new design; FIG. 2 is an end elevational view thereof; and, FIG. 3 is an enlarged end elevational view thereof.



*Fig. 1.*



*Fig. 2.*



*Fig. 3.*

