



US00D351662S

United States Patent [19] Cole

[11] Patent Number: **Des. 351,662**

[45] Date of Patent: **** Oct. 18, 1994**

[54] WINDOW COMPONENT EXTRUSION

[75] Inventor: **Douglas L. Cole**, Seattle, Wash.

[73] Assignee: **Mikron Industries**, Kent, Wash.

[**] Term: **14 Years**

[21] Appl. No.: **7,418**

[22] Filed: **Apr. 22, 1993**

[52] U.S. Cl. **D25/124**

[58] Field of Search 49/504, 505, DIG. 1,
49/DIG. 2; 52/204.1, 204.5; D25/52, 124, 61

[56] **References Cited**

U.S. PATENT DOCUMENTS

D. 325,990 5/1992 Valentine D25/124

D. 340,535 10/1993 Cole D25/124
D. 341,437 11/1993 Cole D25/124
4,742,647 5/1988 Pacca 49/505

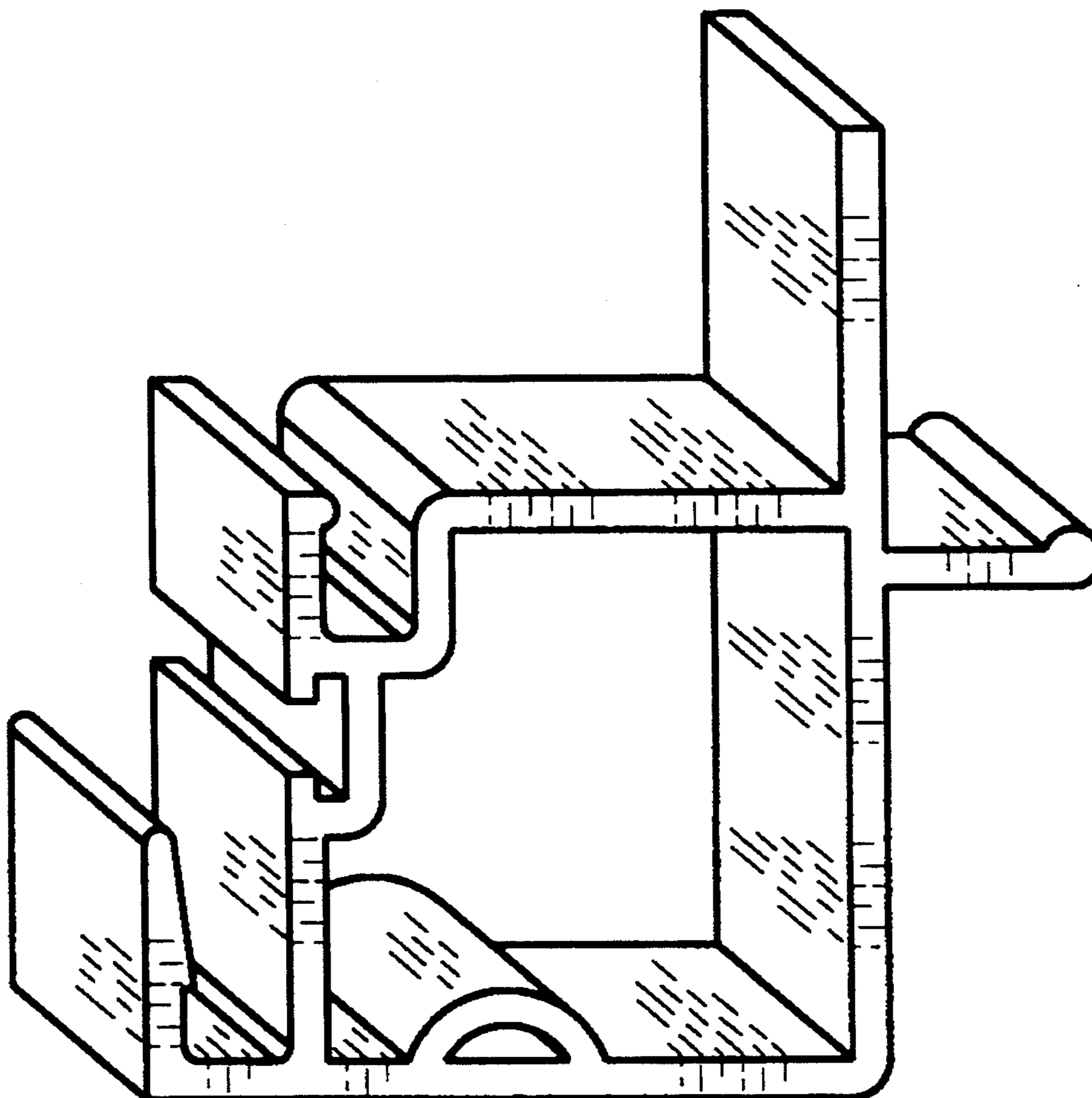
Primary Examiner—A. Hugo Word
Assistant Examiner—Doris Clark
Attorney, Agent, or Firm—Seed and Berry

[57] **CLAIM**

The ornamental design for a window component, as shown and described.

DESCRIPTION

FIG. 1 is a top right perspective view of a window component extrusion showing my new design, the window component extrusion being of indefinite length; and, FIG. 2 is a bottom left perspective view thereof.



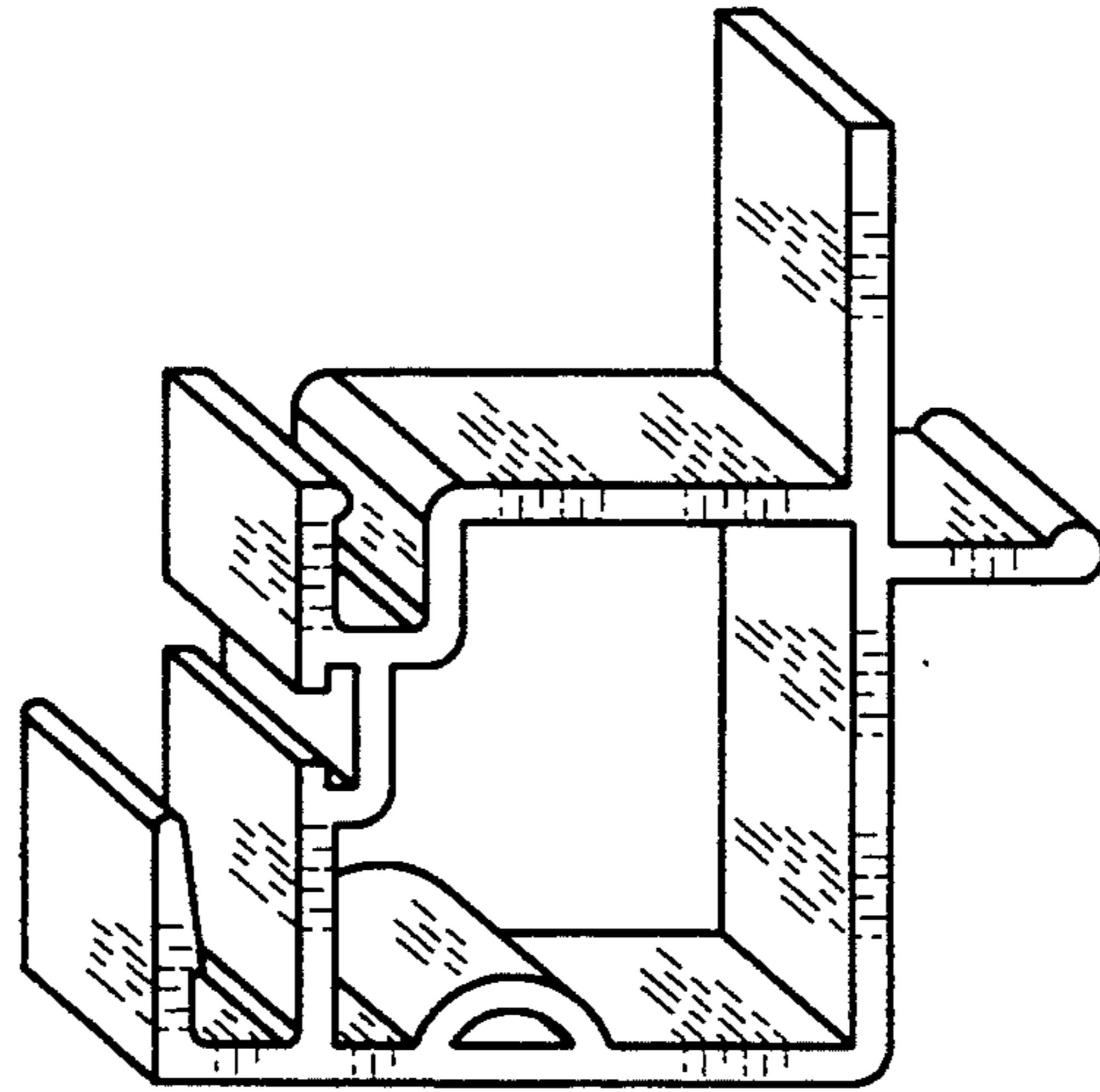


FIG. 1

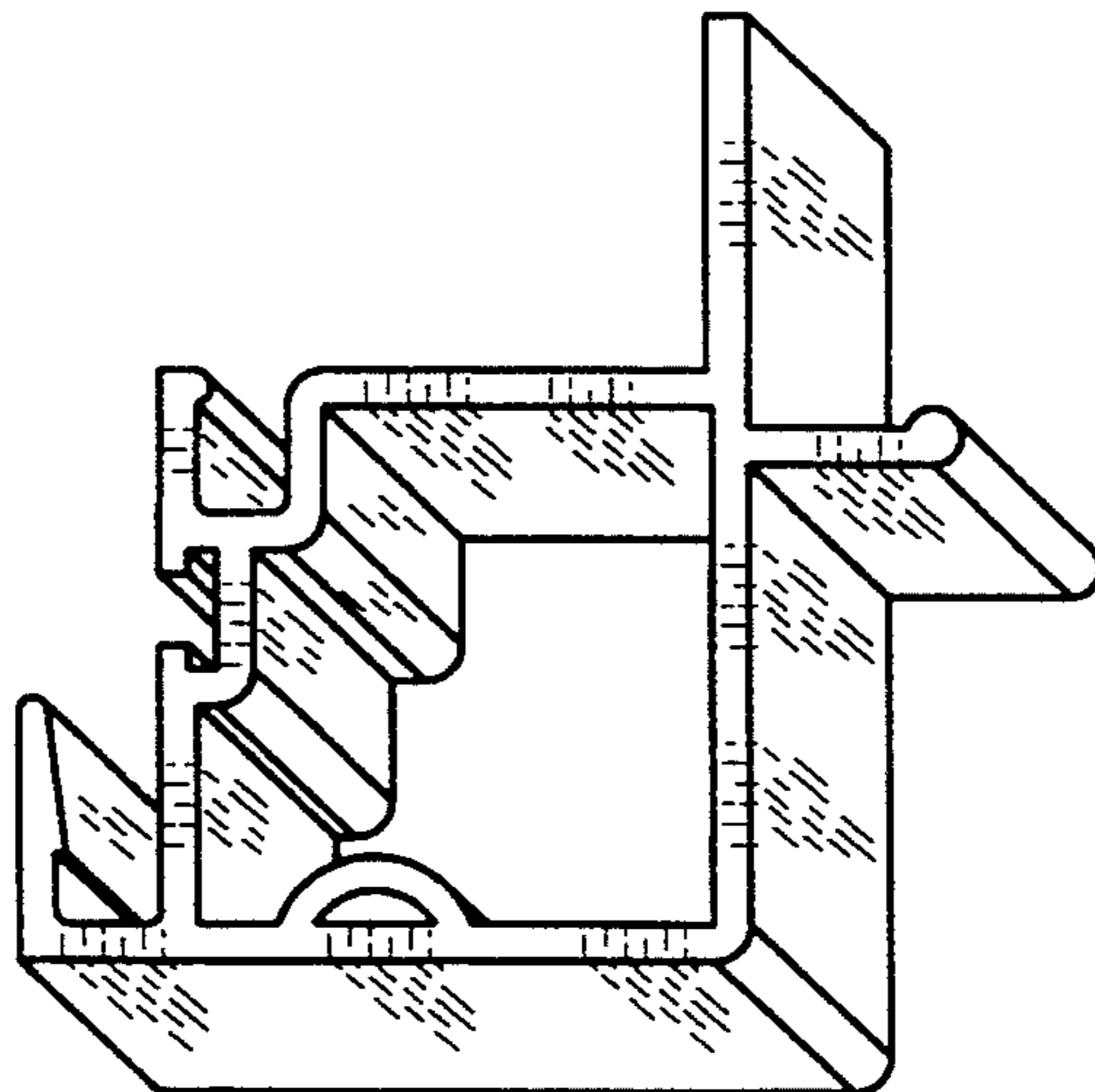


FIG. 2