



US00D351659S

United States Patent [19]
Gingerich

[11] **Patent Number: Des. 351,659**
[45] **Date of Patent: ** Oct. 18, 1994**

[54] **FOOT MASSAGER**
[76] Inventor: **Wayne D. Gingerich**, 7597 County Rd. 77, Millersburg, Ohio 44654
[**] Term: **14 Years**
[21] Appl. No.: **11,192**
[22] Filed: **Aug. 2, 1993**
[52] U.S. Cl. **D24/213**
[58] Field of Search 601/23, 27, 28, 30; D24/213, 215, 200

4,513,735 4/1985 Friedson et al. D24/213 X

Primary Examiner—Stella Reid
Attorney, Agent, or Firm—Kevin A. Sembrat

[57] **CLAIM**

The ornamental design for a foot massager, as shown and described.

DESCRIPTION

FIG. 1 is a perspective view of a foot massager showing my new design;
FIG. 2 is a top plan view thereof;
FIG. 3 is a front elevational view thereof;
FIG. 4 is a rear elevational view thereof;
FIG. 5 is a left side elevational view thereof; and,
FIG. 6 is a right side elevational view thereof.

[56] **References Cited**
U.S. PATENT DOCUMENTS
4,184,488 1/1980 Bielich D24/213 X
4,497,313 2/1985 Kurosawa D24/213 X

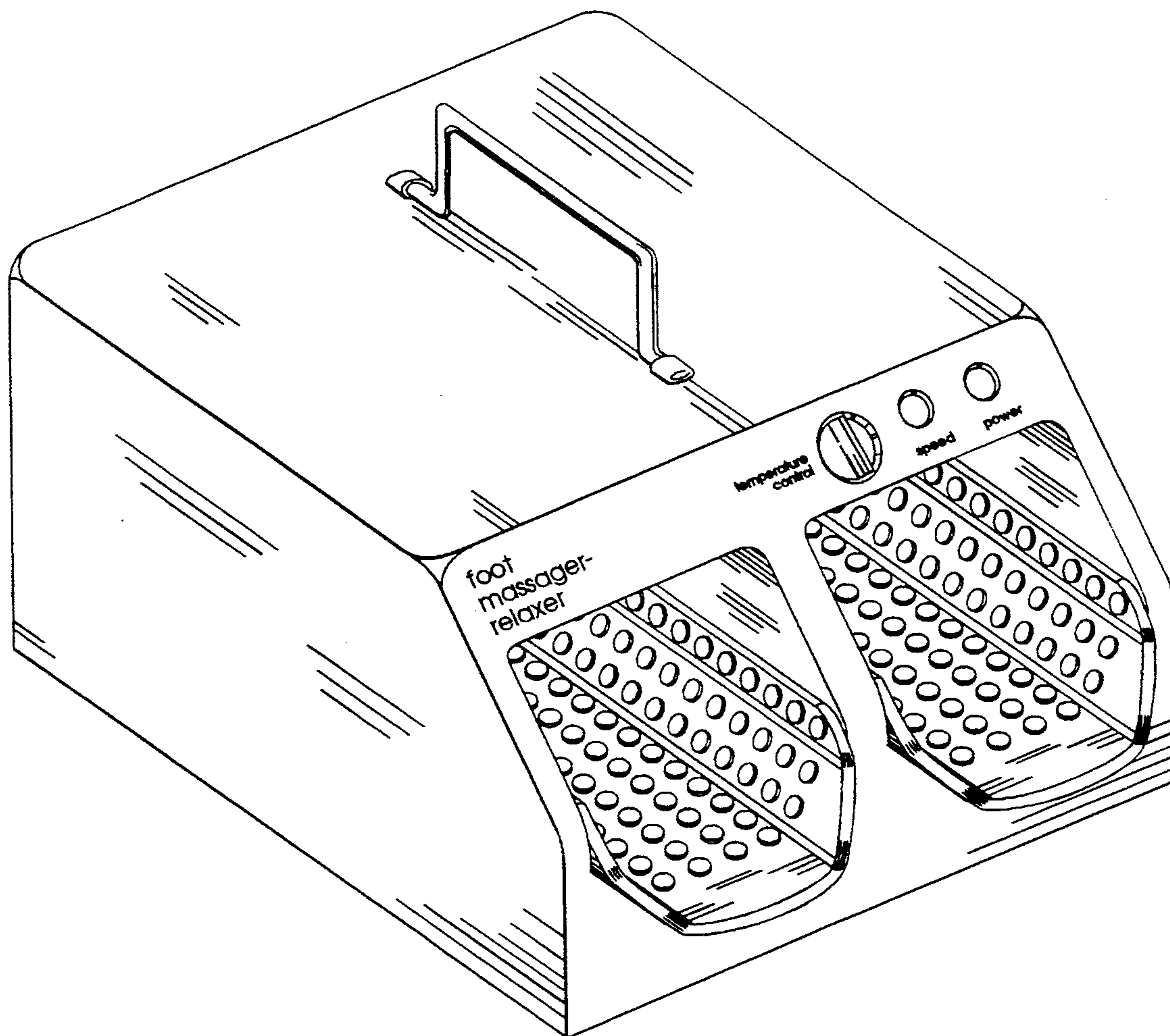


Fig.1

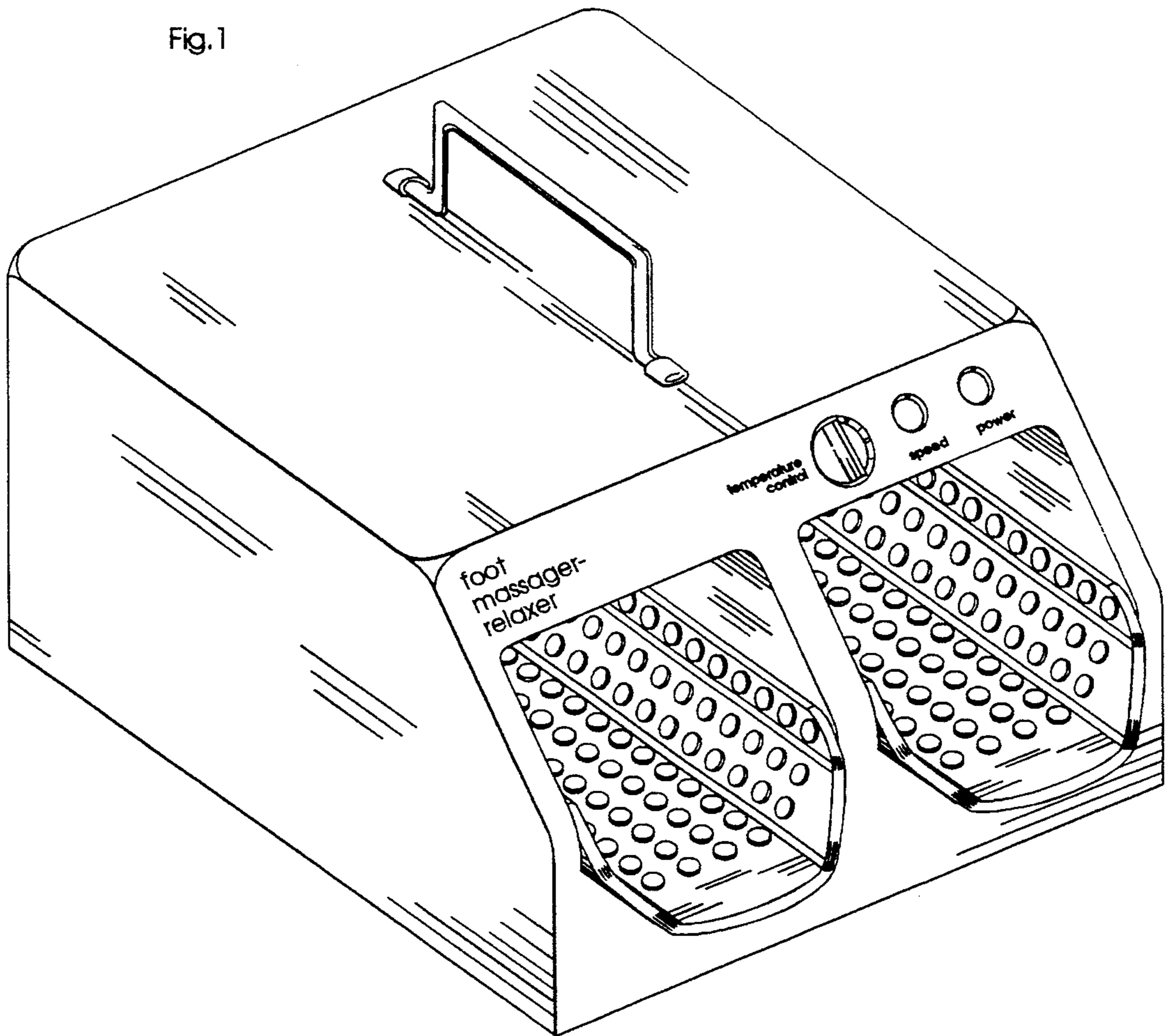


Fig.2

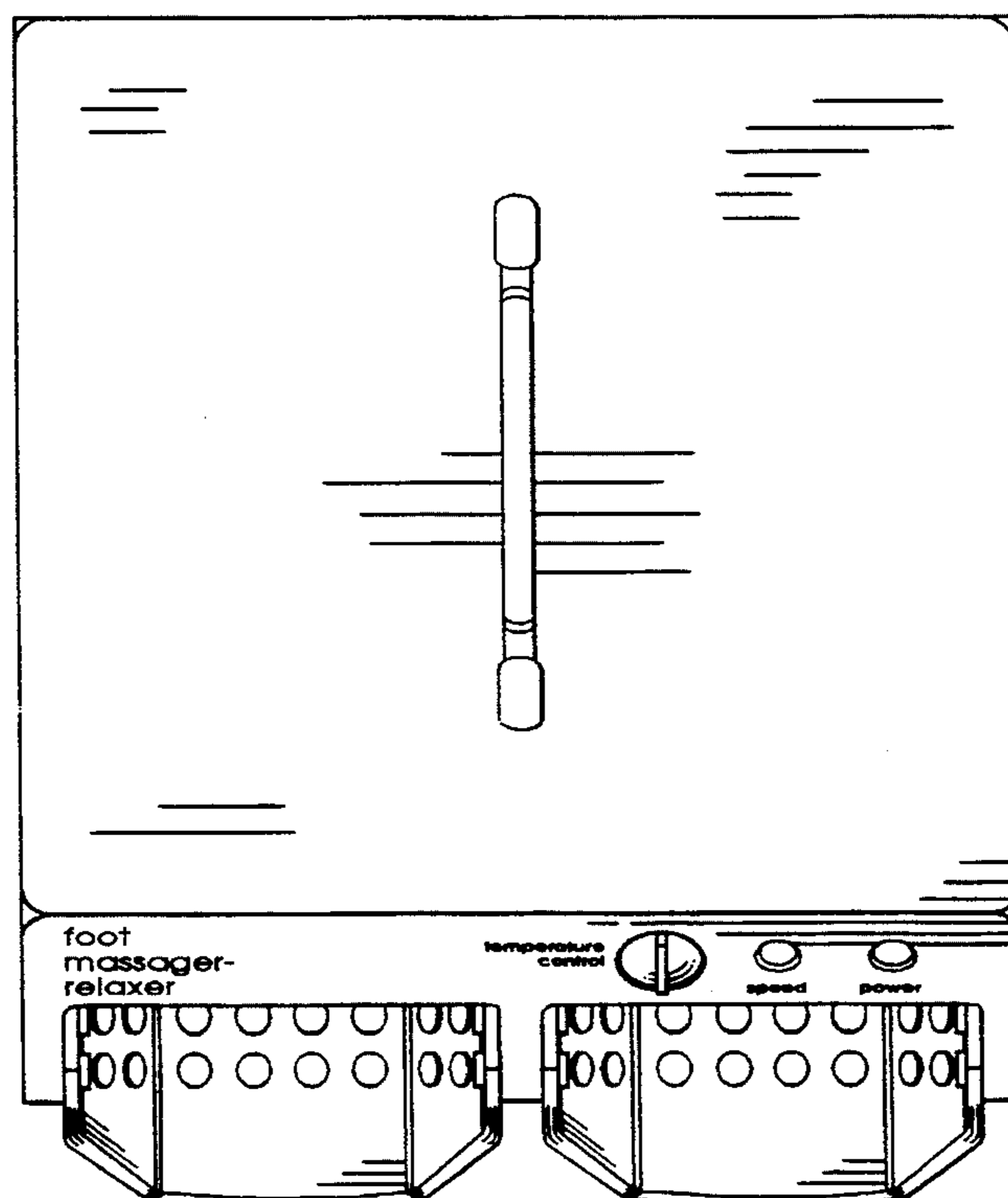


Fig.3

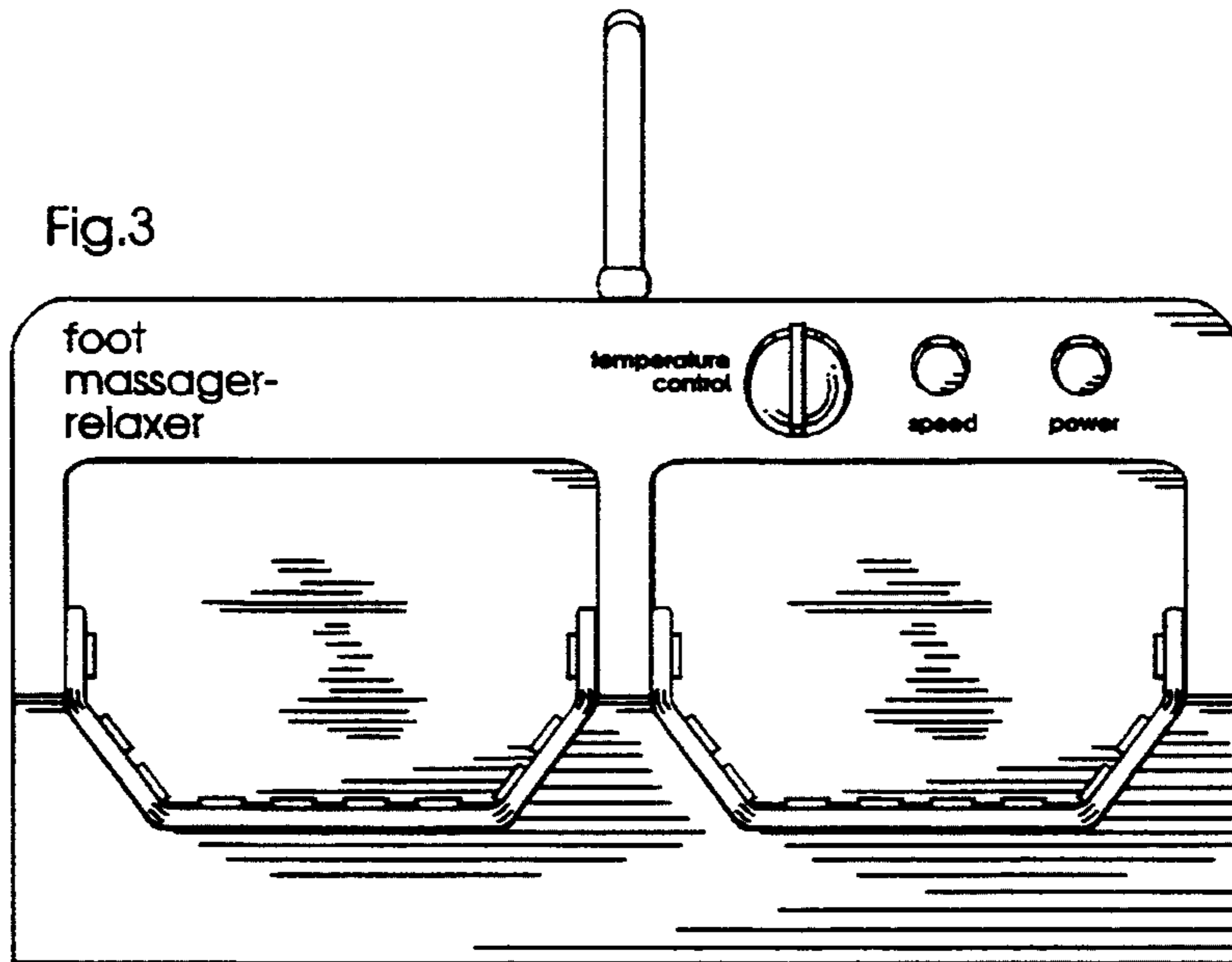
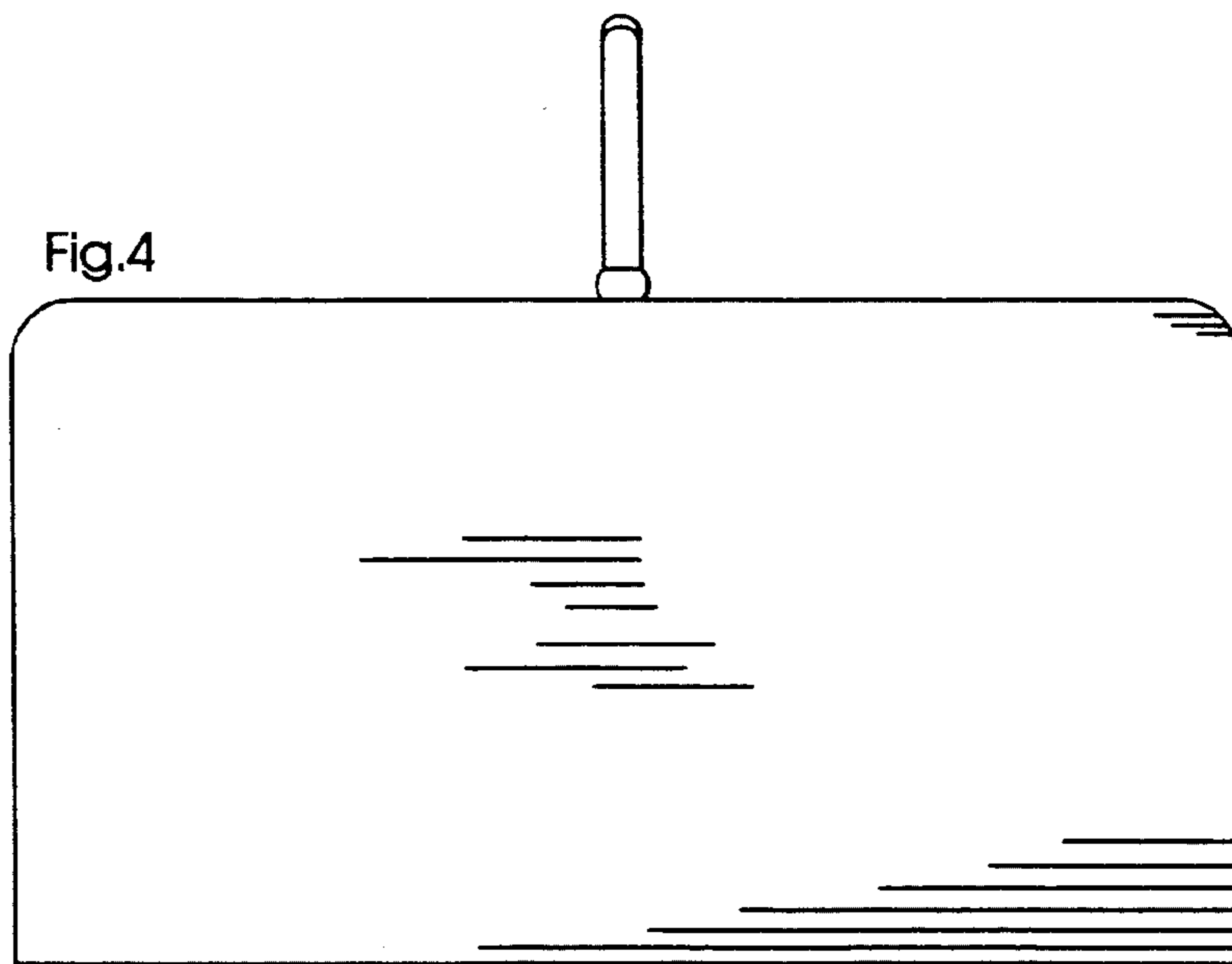
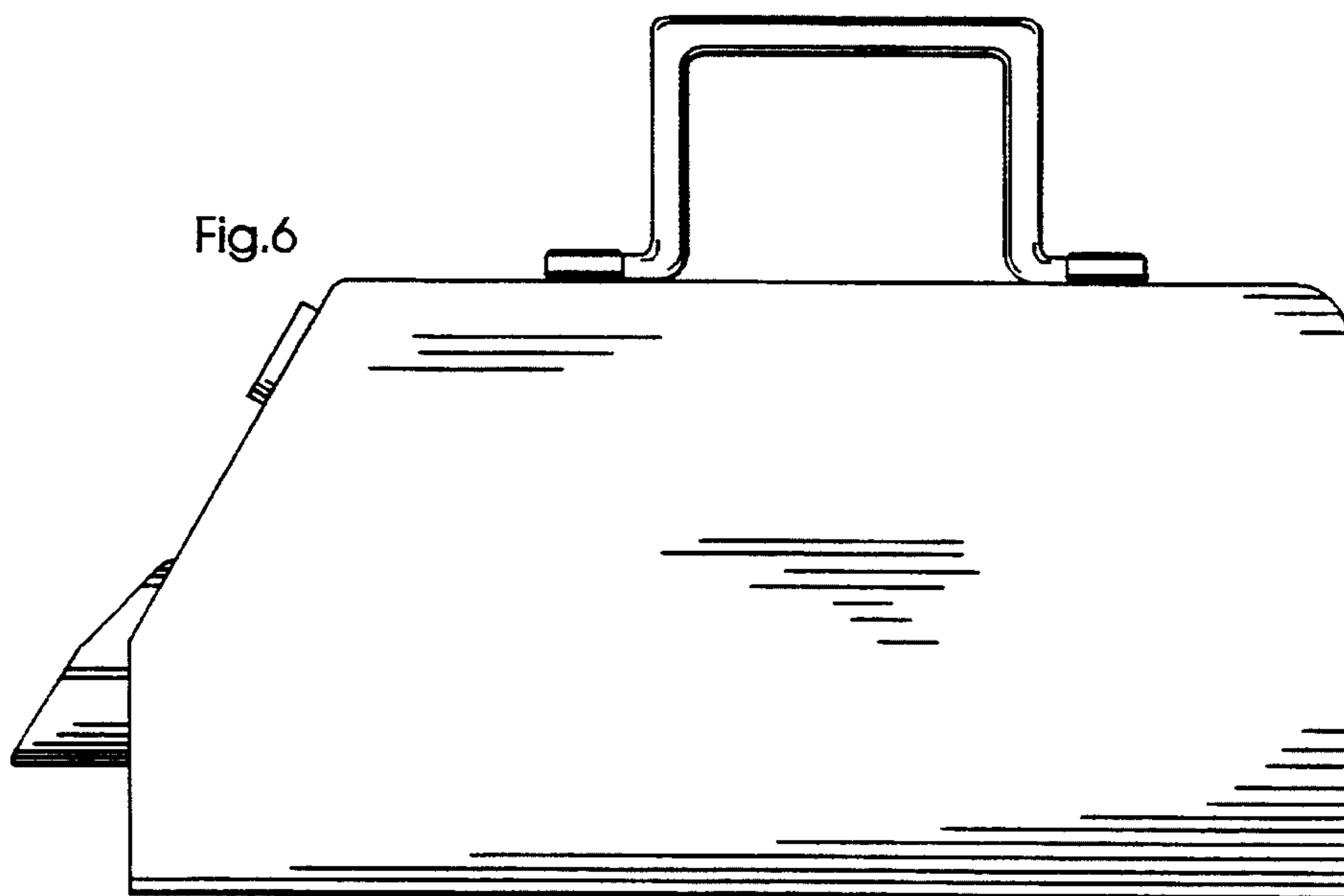
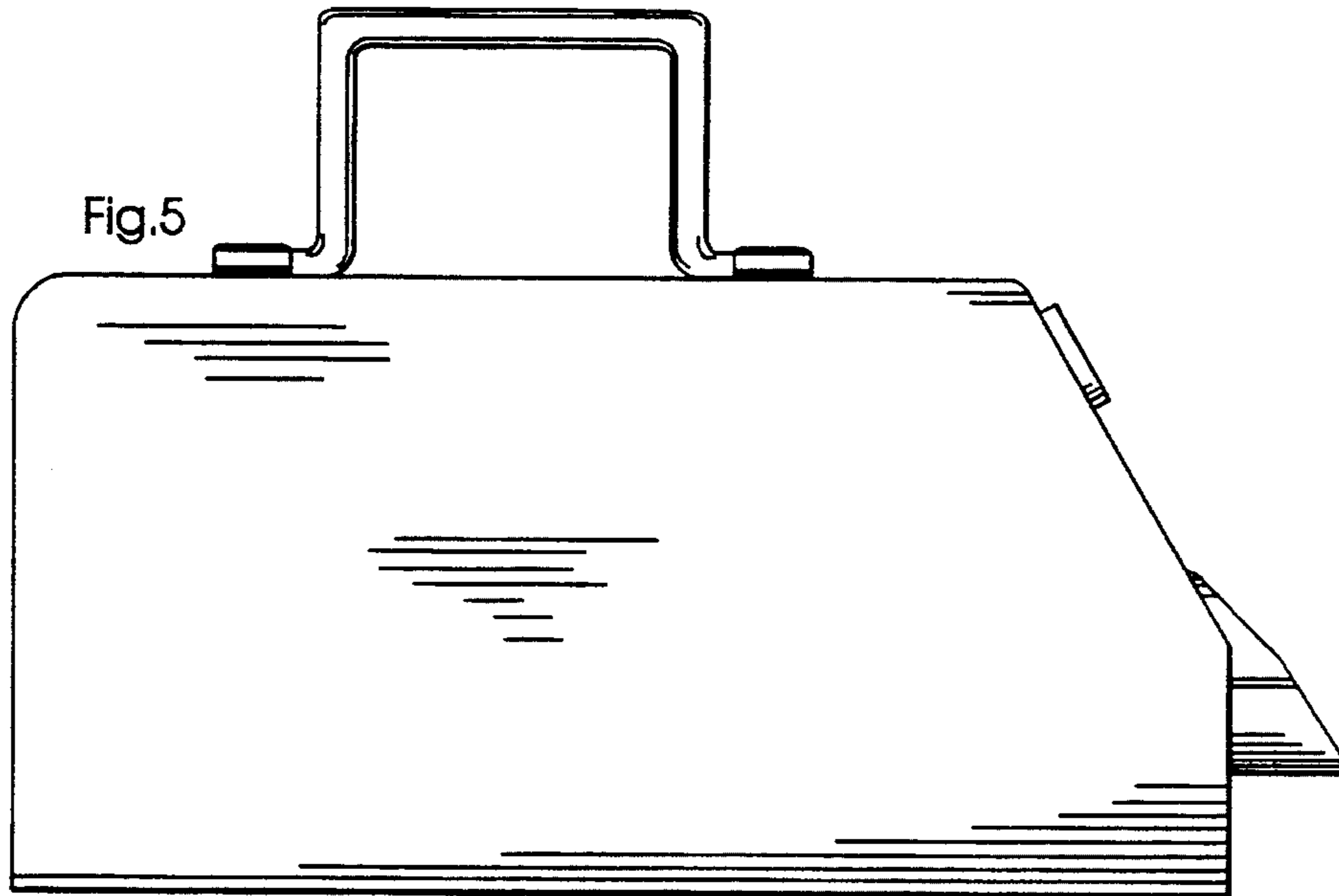


Fig.4





UNITED STATES PATENT AND TRADEMARK OFFICE
CERTIFICATE OF CORRECTION

PATENT NO. : Des. 351,659
DATED : 10/18/94
INVENTOR(S) : Wayne D. Gingerich

Page 1 of 4

It is certified that error appears in the above-identified patent and that said Letters Patent is hereby corrected as shown below:

Sheets 1-3 of the drawings, consisting of Figs 1-6, should be deleted to be replaced with the corrected drawings, as shown on the attached pages.

Signed and Sealed this
Seventh Day of March, 1995



BRUCE LEHMAN

Commissioner of Patents and Trademarks

Attest:

Attesting Officer

Fig.1

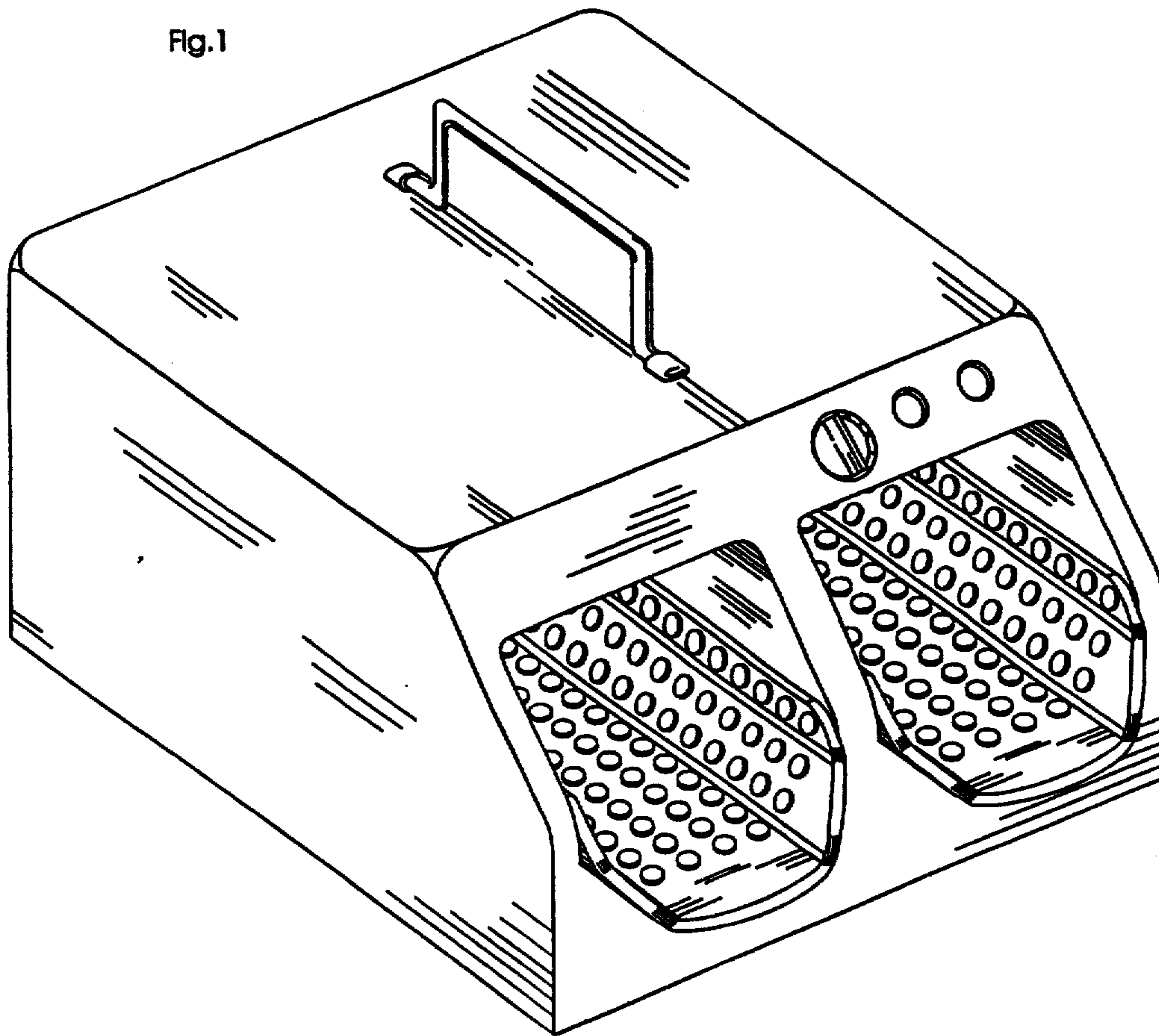


Fig.2

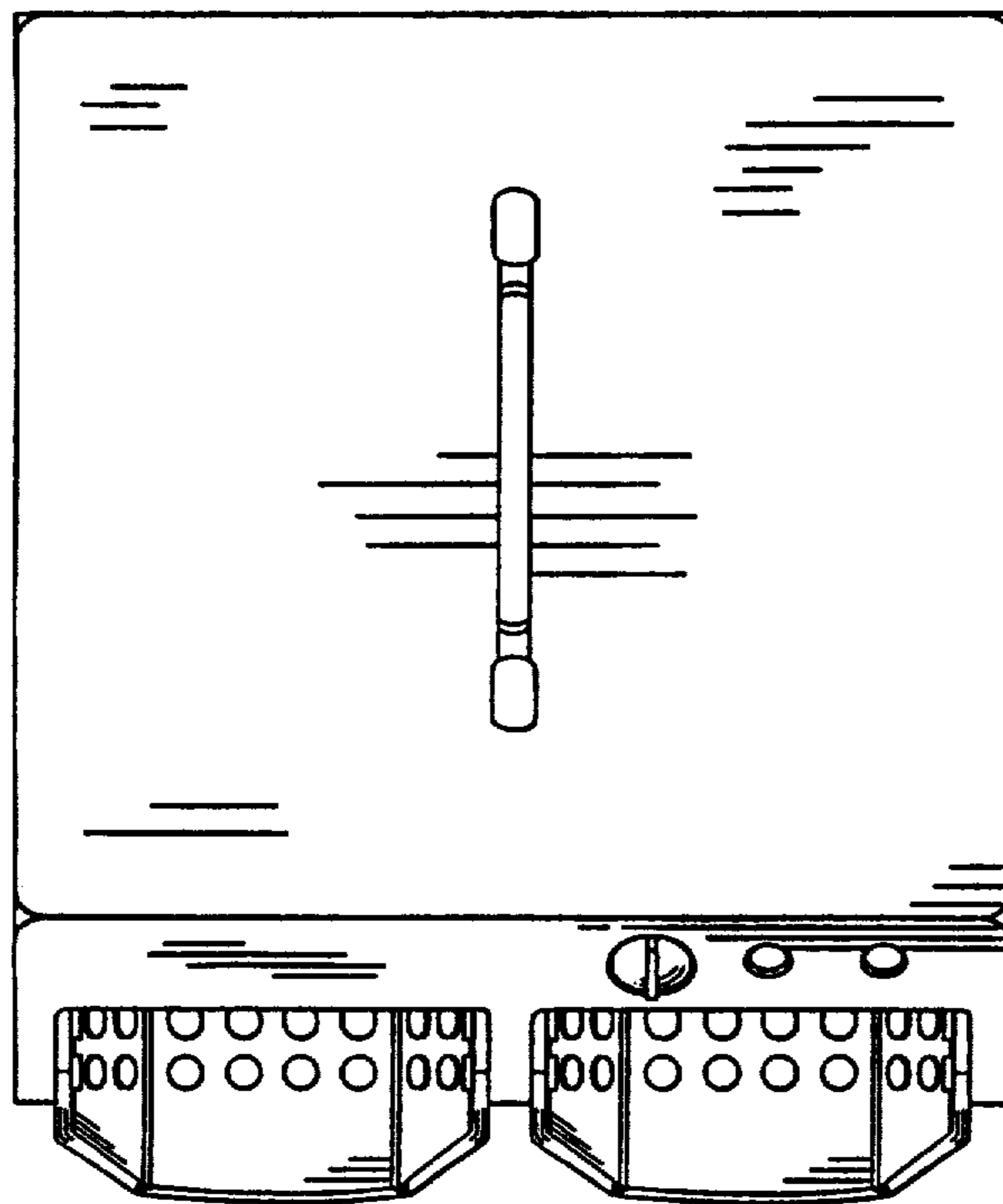


Fig.3

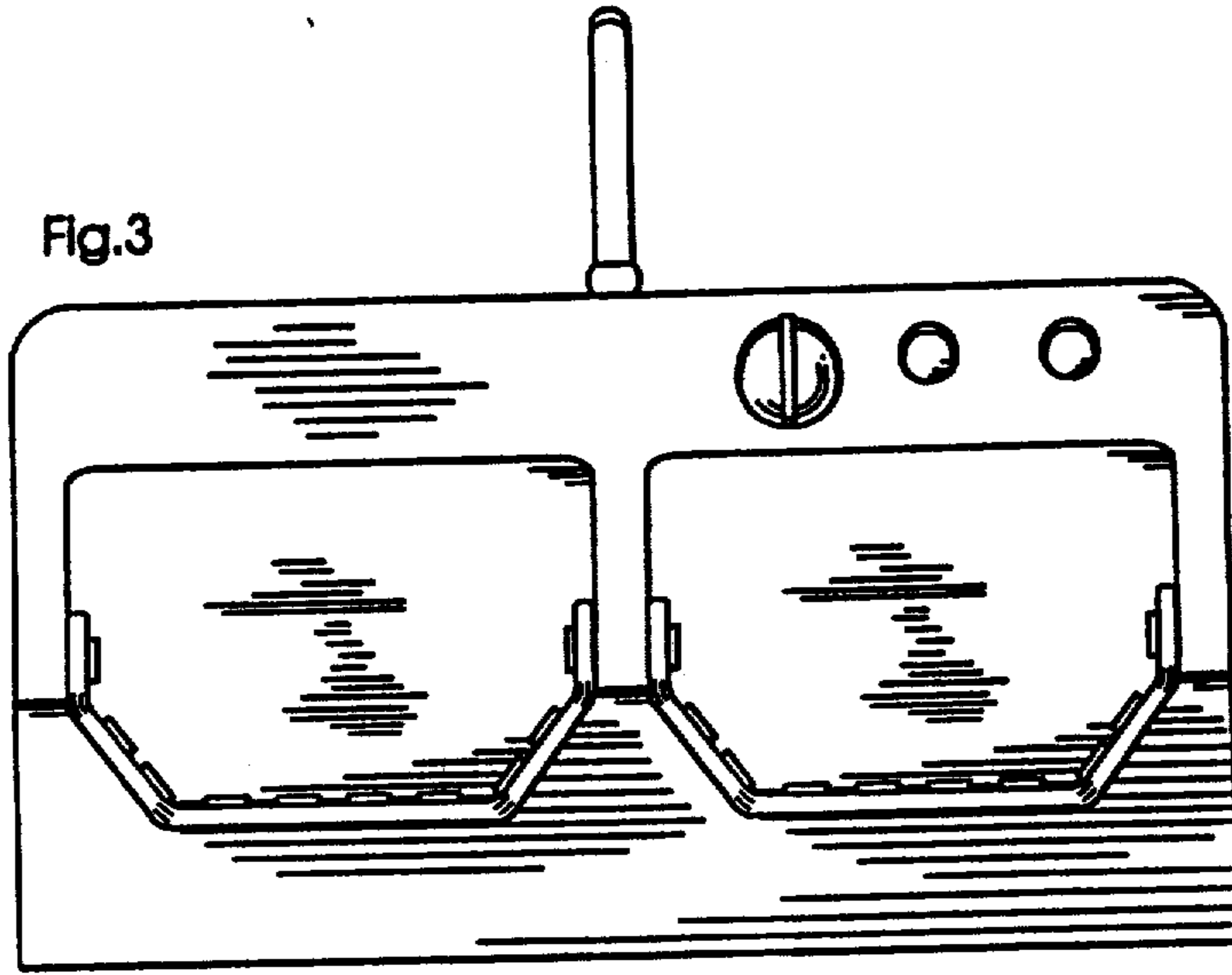


Fig.4

