



US00D351654S

# United States Patent [19]

Wauchope

[11] Patent Number: **Des. 351,654**

[45] Date of Patent: **\*\* Oct. 18, 1994**

[54] **DENTAL BURR**

[76] Inventor: **Frederick T. Wauchope**, 5464 Dundas Street West, Suite 302, Etobicoke Ontario, Canada, M9B 1B4

[\*\*] Term: **14 Years**

[21] Appl. No.: **888,219**

[22] Filed: **May 26, 1992**

[30] **Foreign Application Priority Data**

Nov. 25, 1991 [CA] Canada ..... 25-11-91-6

[52] U.S. Cl. .... **D24/152**

[58] Field of Search ..... 433/191-195, 433/168.1, 169, 172-176; D24/155-156, 176-182

[56] **References Cited**

**U.S. PATENT DOCUMENTS**

D. 268,615 4/1983 Biggs ..... D24/156

D. 319,500	8/1991	Soderberg	.....	D24/156
3,449,830	6/1969	Weissman	.....	D24/156 X
5,026,280	6/1991	Dürr et al.	.....	433/175
5,106,300	4/1992	Voitik	.....	433/173
5,152,687	10/1992	Amino	.....	433/176 X

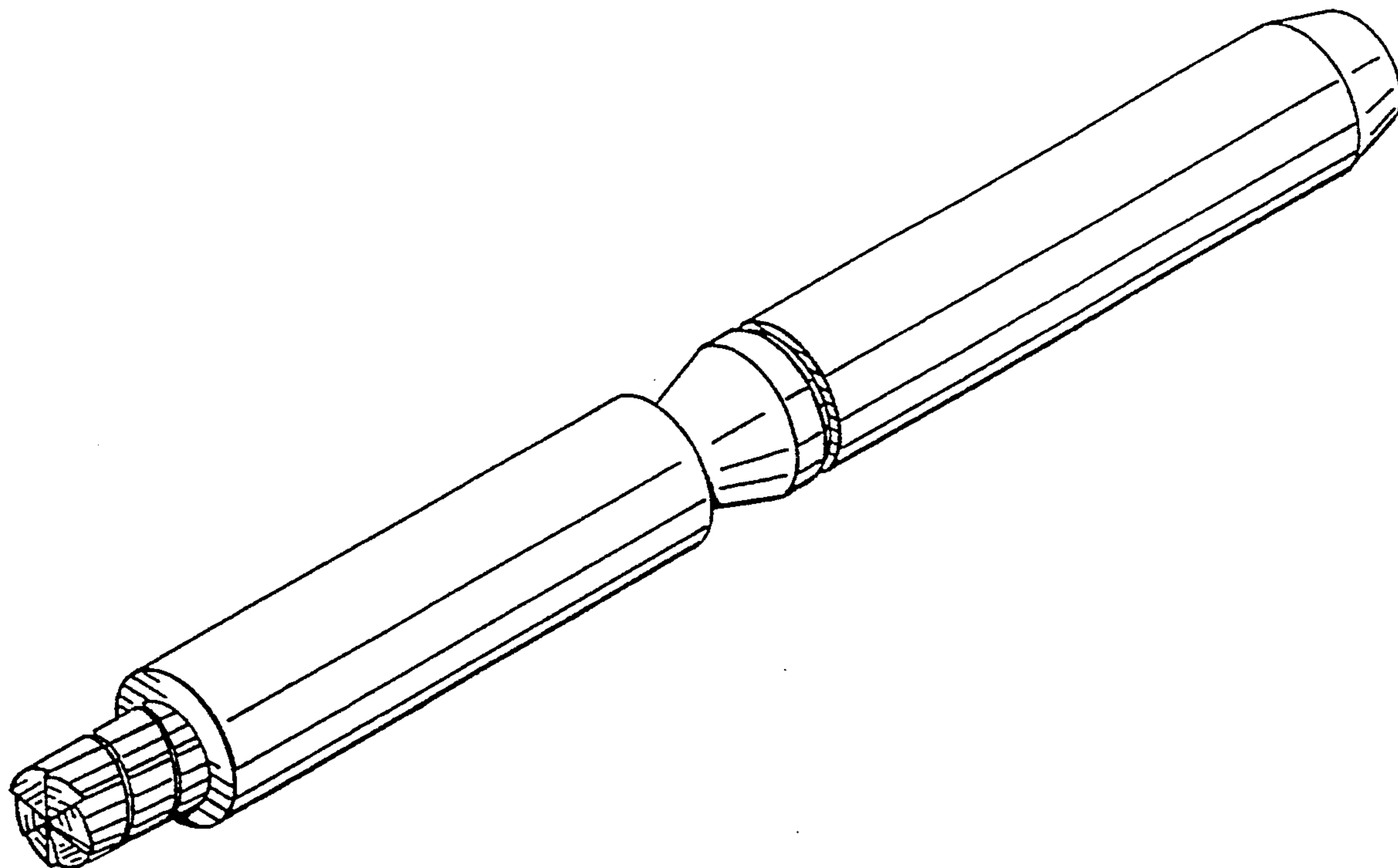
*Primary Examiner*—Wallace R. Burke  
*Assistant Examiner*—M. H. Tung  
*Attorney, Agent, or Firm*—Donald E. Hewson

### [57] CLAIM

The ornamental design for a dental burr, as shown and described.

### DESCRIPTION

FIG. 1 is a perspective view of a dental burr taken from above and from the left end showing my new design; FIG. 2 is an enlarged end view of the left end thereof; FIG. 3 is an elevational view thereof, all sides being identical, except for the specific configuration of the burr; and, FIG. 4 is an enlarged end view of the right end thereof.



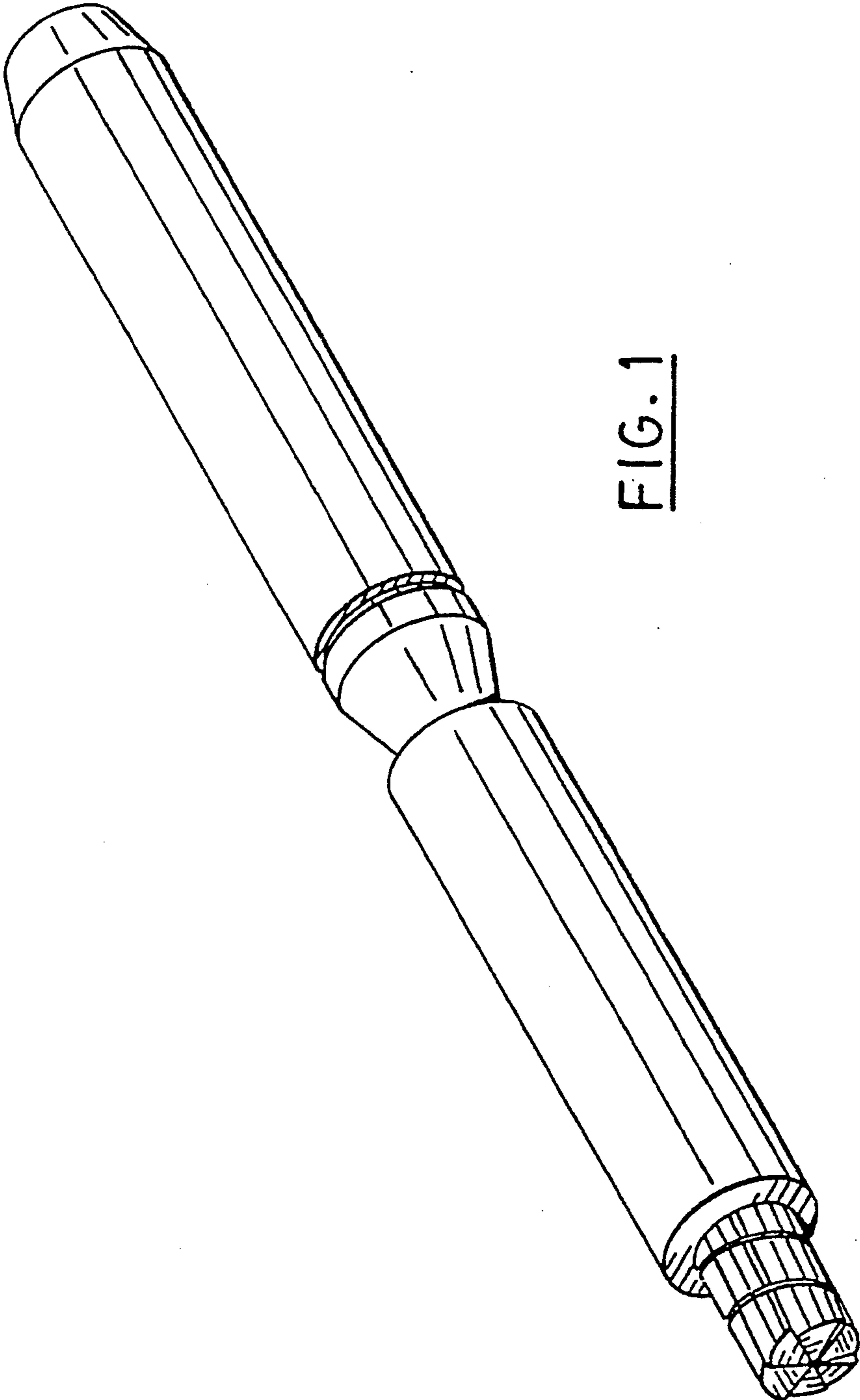


FIG. 1

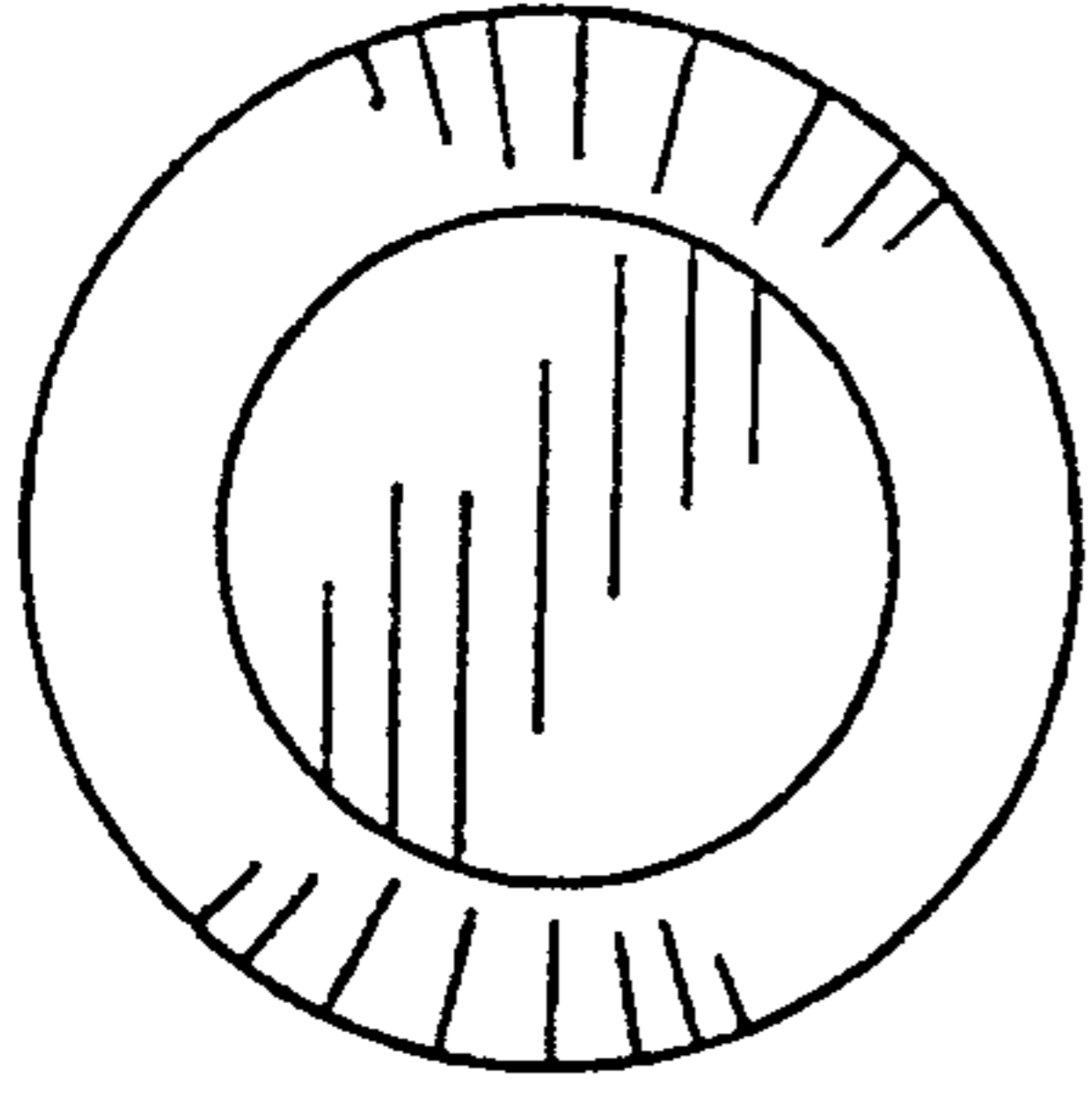


FIG. 4

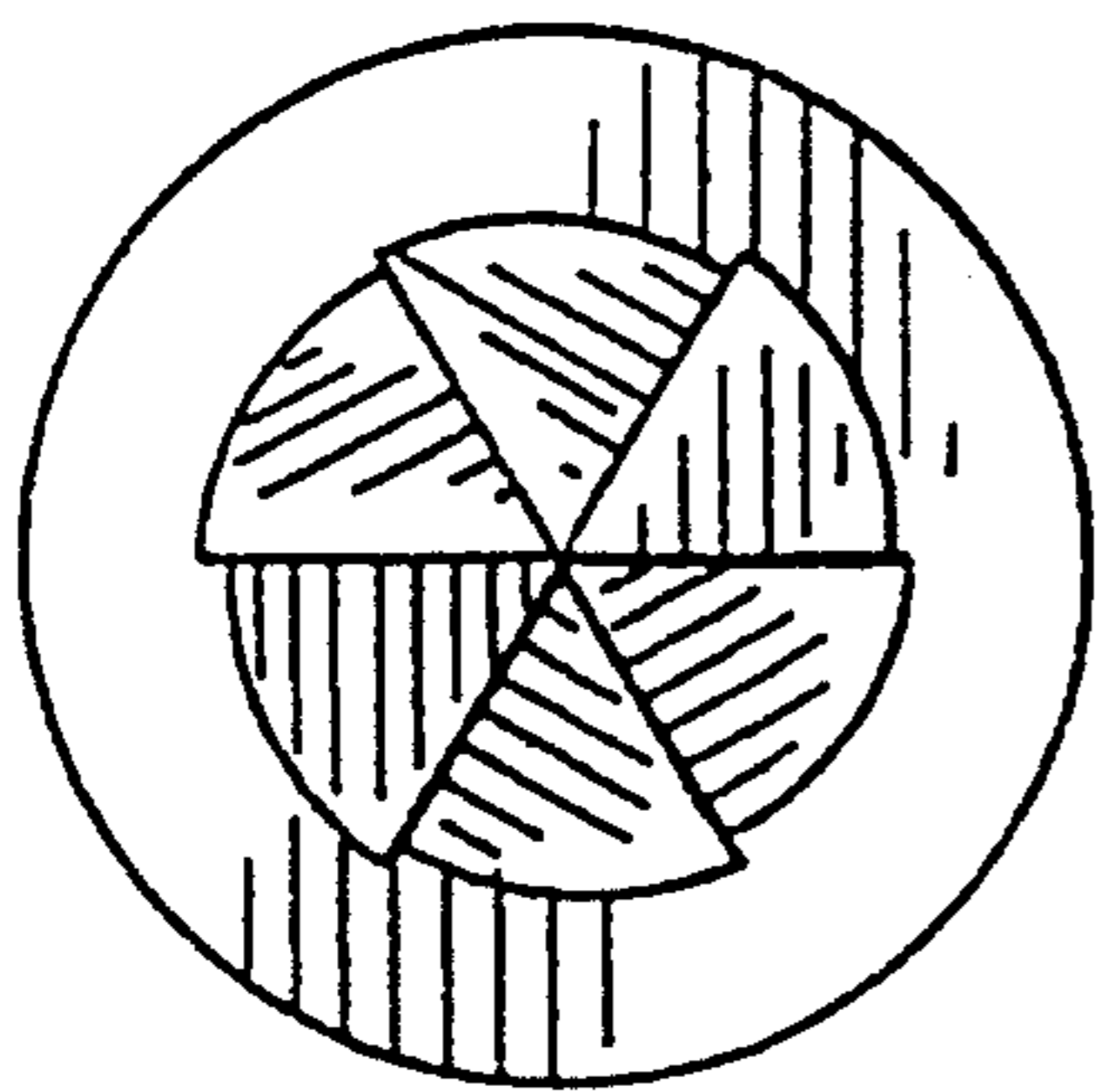


FIG. 2

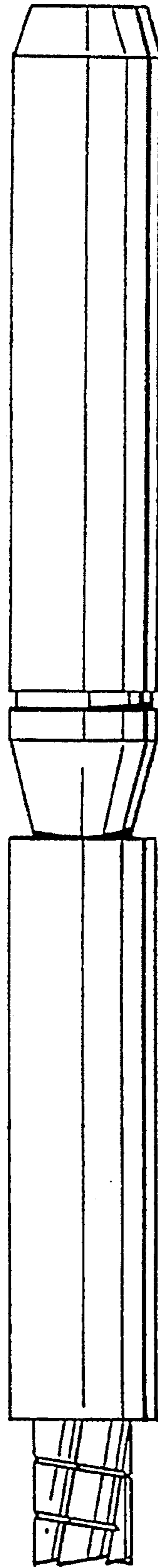


FIG. 3