



US00D351653S

United States Patent [19]

[11] Patent Number: **Des. 351,653**

Koros et al.

[45] Date of Patent: **** Oct. 18, 1994**

[54] **LAPAROSCOPIC GRASPER**

4,955,887 9/1990 Zirm 606/107
5,282,817 2/1994 Hoogeboom et al. 606/208 X

[76] Inventors: **Tibor Koros; Gabriel Koros**, both of
610 Flinn Ave., Moorpark, Calif.
93021

Primary Examiner—A. Hugo Word
Attorney, Agent, or Firm—Jessup & Slehofer

[**] Term: **14 Years**

[57] **CLAIM**

[21] Appl. No.: **4,250**

The ornamental design for a laparoscopic grasper, as shown and described.

[22] Filed: **Jan. 29, 1993**

DESCRIPTION

[52] U.S. Cl. **D24/143**

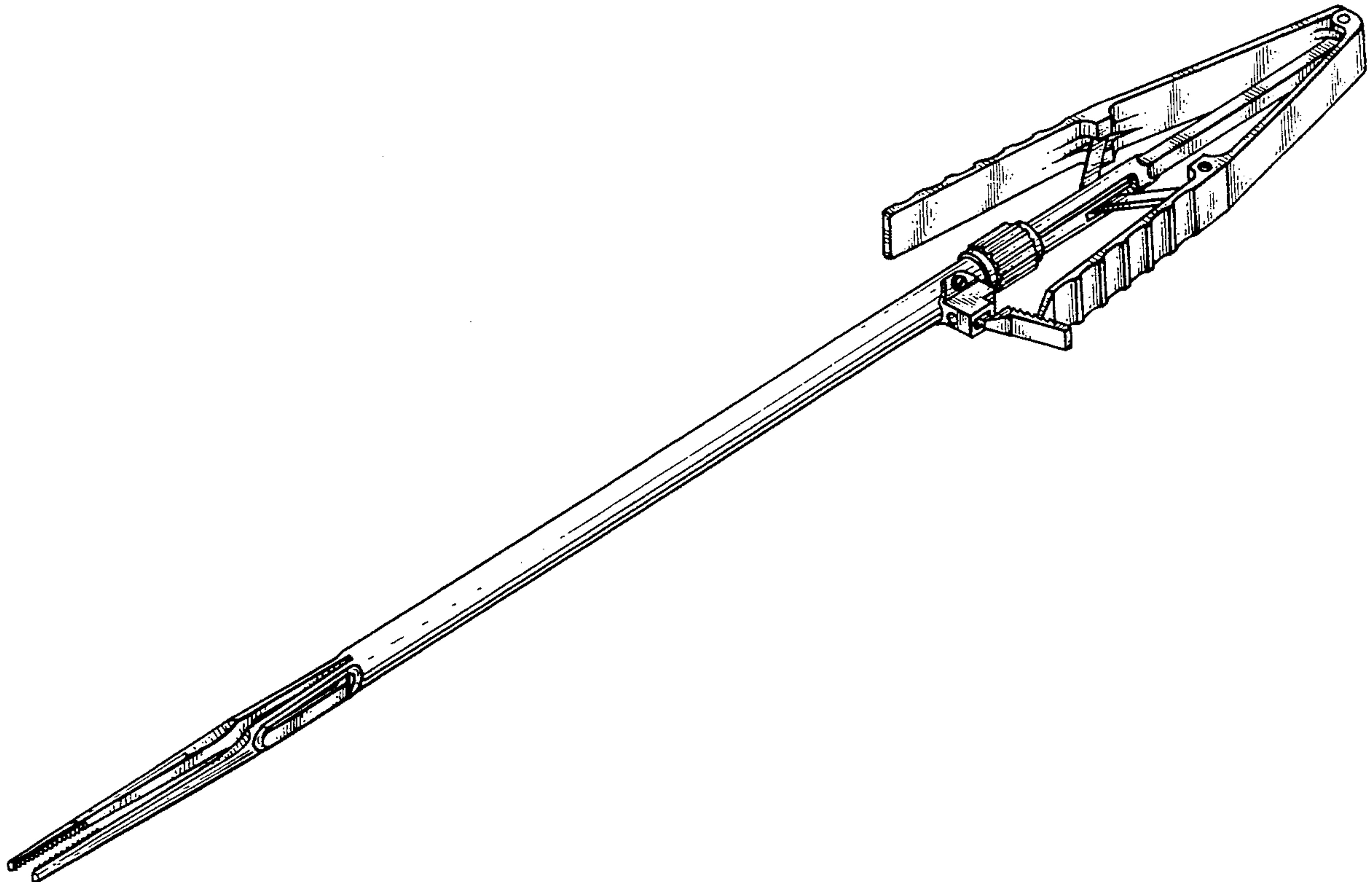
FIG. 1 is a front perspective view of a laparoscopic grasper showing our new design;
FIG. 2 is a front elevational view thereof;
FIG. 3 is a rear elevational view thereof;
FIG. 4 is a right side elevational plan view thereof;
FIG. 5 is a left side elevational view thereof;
FIG. 6 is a top plan view thereof; and,
FIG. 7 is a bottom plan view thereof.

[58] Field of Search 606/1, 210, 208, 205,
606/206, 82; D24/143

[56] **References Cited**

U.S. PATENT DOCUMENTS

1,988,218 1/1935 Segal 606/210
2,584,547 2/1952 Cahn 606/210 X



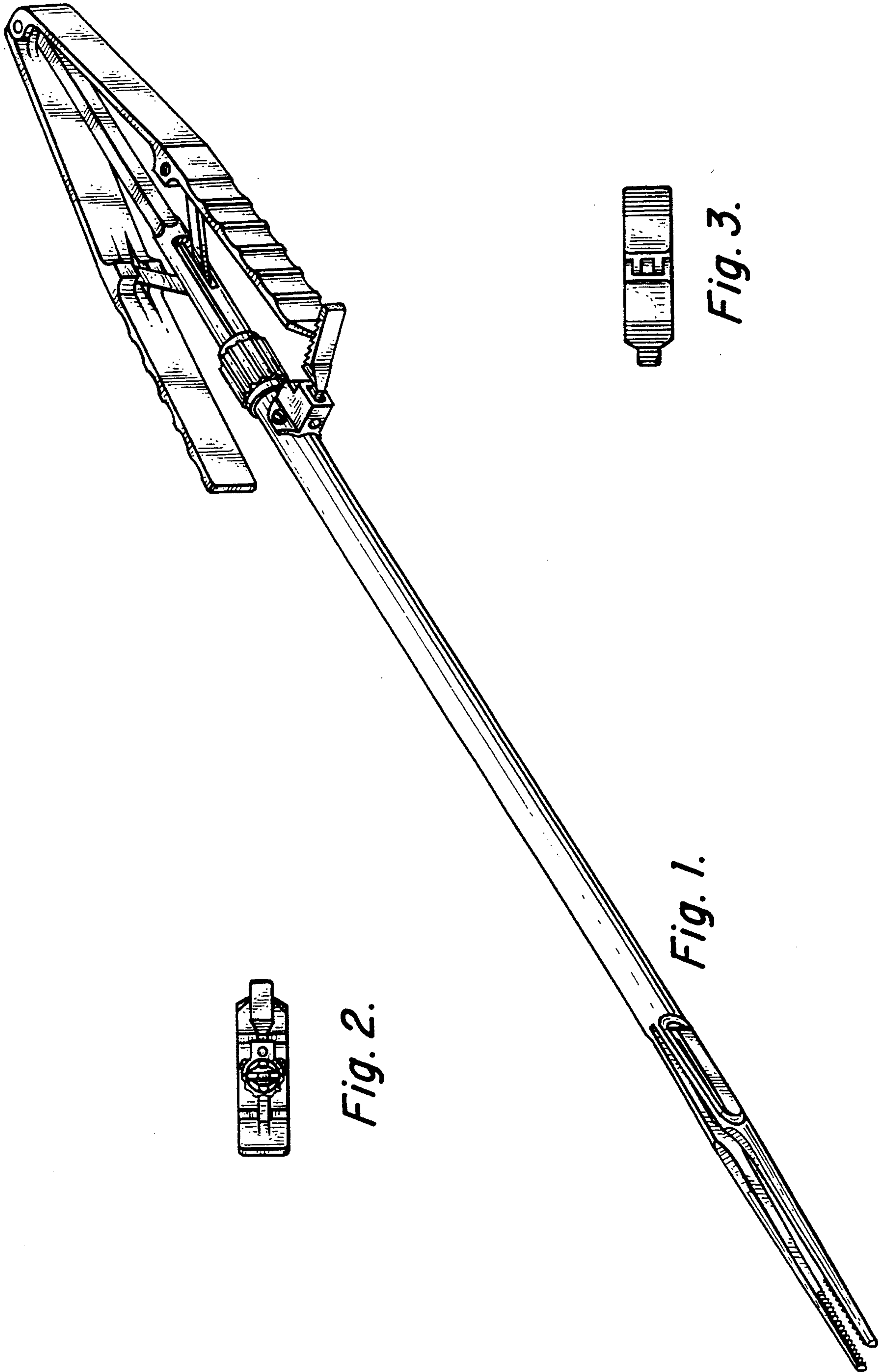


Fig. 2.

Fig. 1.

Fig. 3.



Fig. 4.



Fig. 5.

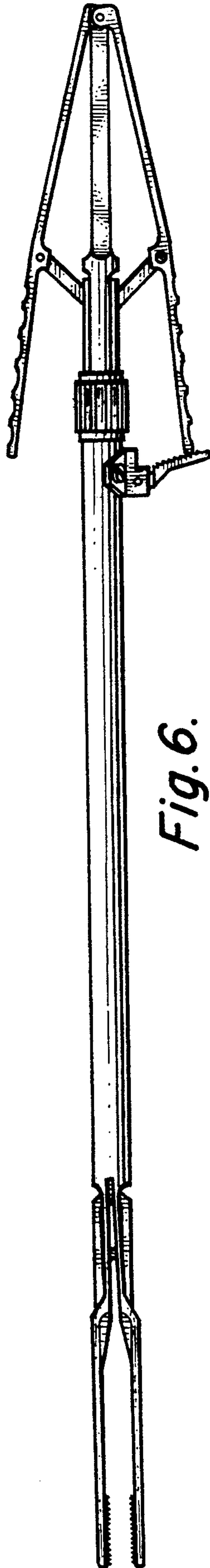


Fig. 6.

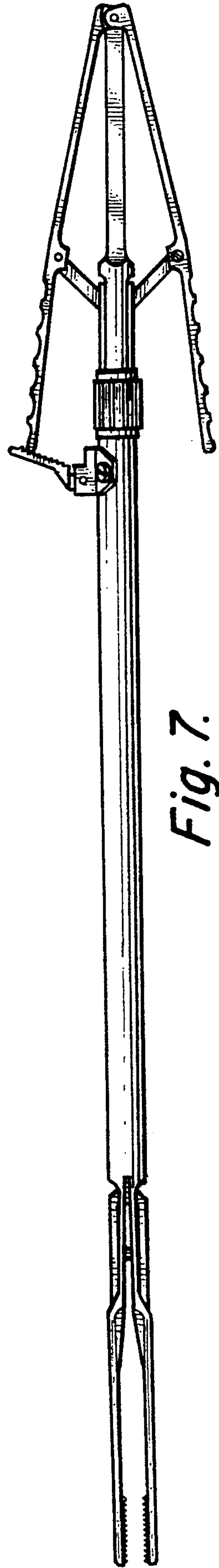


Fig. 7.