



US00D351649S

# United States Patent [19]

[11] Patent Number: **Des. 351,649**

Lin

[45] Date of Patent: **\*\* Oct. 18, 1994**

[54] **COMBINED BACTERICIDAL OZONIC AIR CLEANER AND COVER THEREFOR**

[76] Inventor: **Sung-Hui Lin**, 4th Fl., No. 37, Lane 320, Li Shan St., Taipei, Taiwan

[\*\*] Term: **14 Years**

[21] Appl. No.: **18,619**

[22] Filed: **Feb. 10, 1994**

[52] U.S. Cl. .... **D23/364; D23/366**

[58] Field of Search ..... 55/279; 422/121, 124; D23/364, 335, 355, 337, 356-363, 370, 381, 382, 366, 368, 369

[56] **References Cited**

**U.S. PATENT DOCUMENTS**

- D. 218,428 8/1970 Lucchi ..... D23/366
- 617,156 1/1899 Gros ..... 422/124
- 4,272,261 6/1981 Lynch, Jr. et al. .... 55/279

**OTHER PUBLICATIONS**

Hong Kong Enterprise Jun. 1992, p. 109, Bio Deodorizer, p. 307, Air Purifier Ionizer AF-83, right side of

page, and p. 315, Air Purifier & Ionizer (A), lower right side of page.

*Primary Examiner*—Lisa P. Lichtenstein  
*Attorney, Agent, or Firm*—Gunn, Lee & Miller

[57] **CLAIM**

The ornamental design for a combined bactericidal ozonic air cleaner and cover therefor, as shown.

**DESCRIPTION**

FIG. 1 is a front-right-top perspective view of a combined bactericidal ozonic air cleaner and cover therefor with the cover removed for clarity of illustration, showing my new design;

FIG. 2 is a front view thereof;

FIG. 3 is a rear view thereof;

FIG. 4 is a left side view thereof;

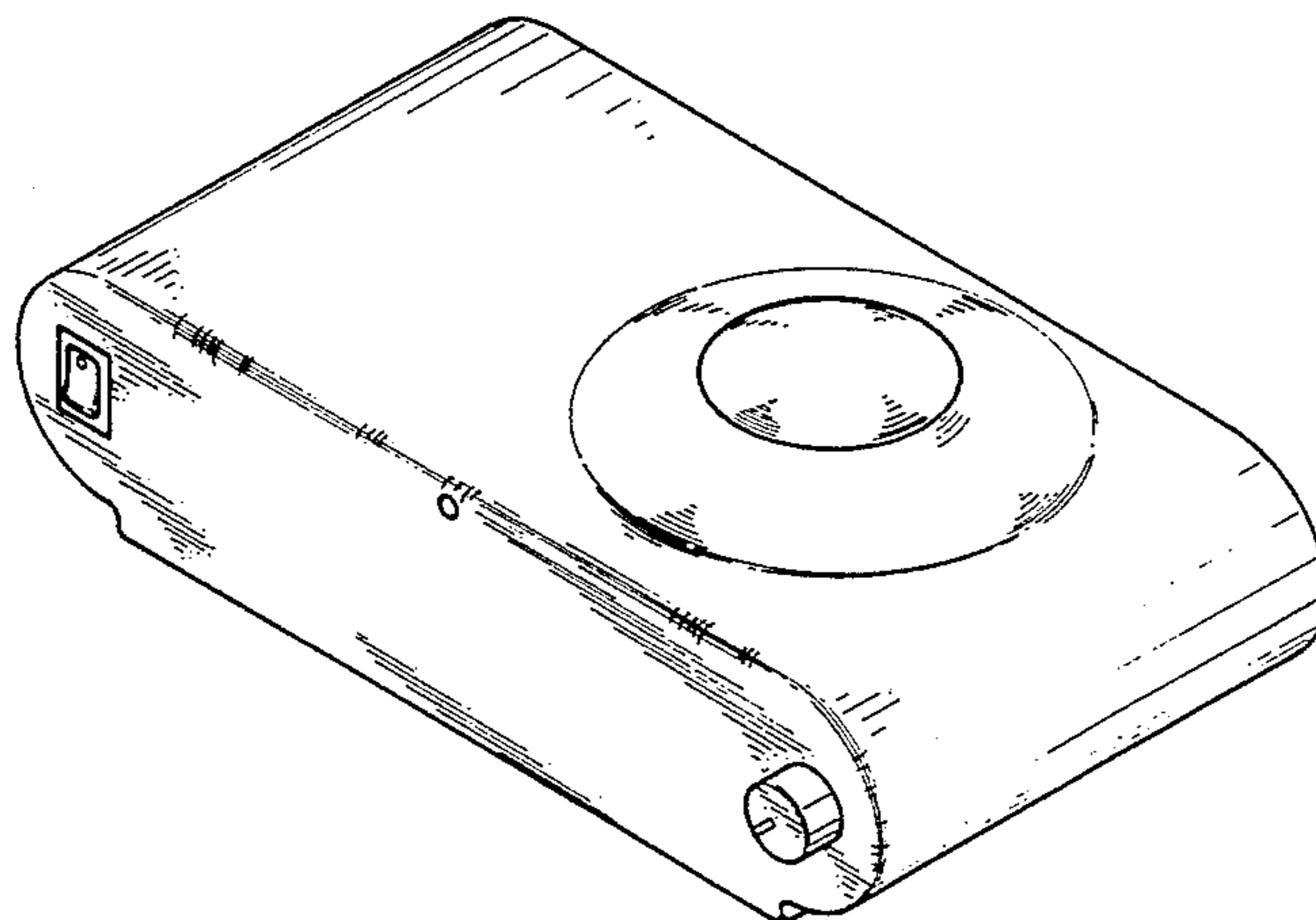
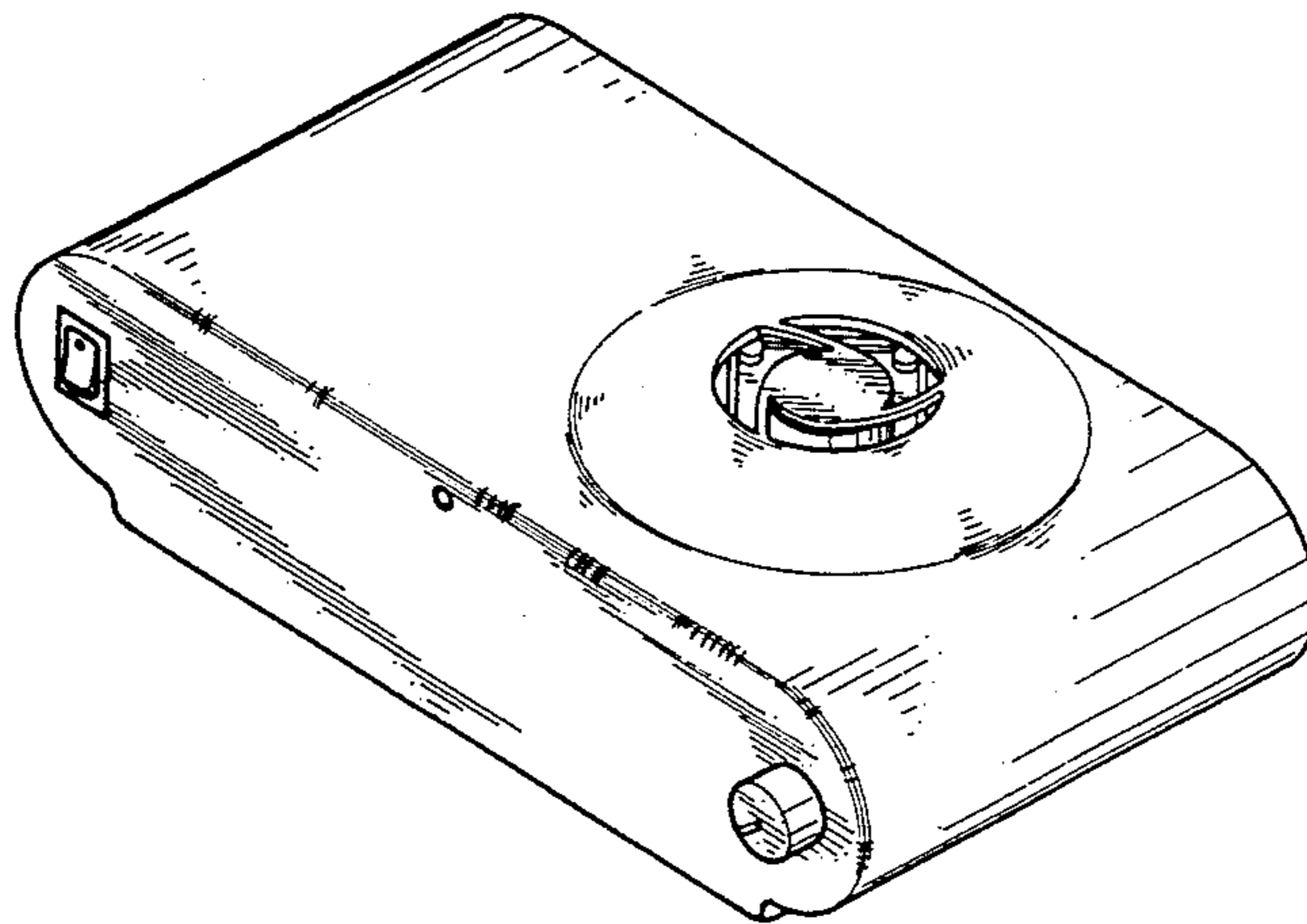
FIG. 5 is a right side view thereof;

FIG. 6 is a top view thereof;

FIG. 7 is a bottom view thereof;

FIG. 8 is a prespective view similar to FIG. 1, but further showing a cover which shelters an opening which is defined in a top panel thereof; and,

FIG. 9 is a front view similar to FIG. 2, but further showing a cover which shelters an opening which is defined in as top panel thereof.



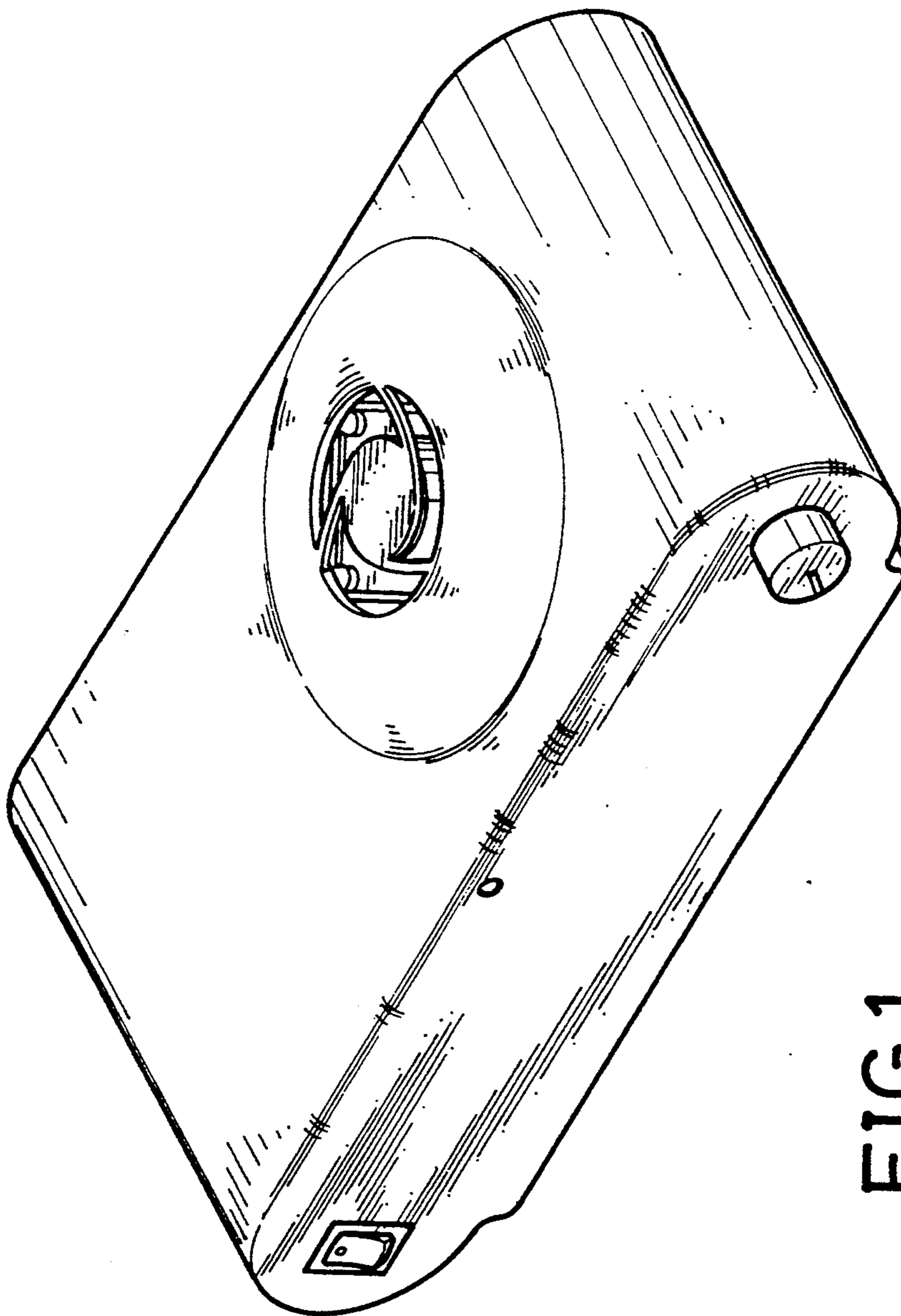


FIG.1

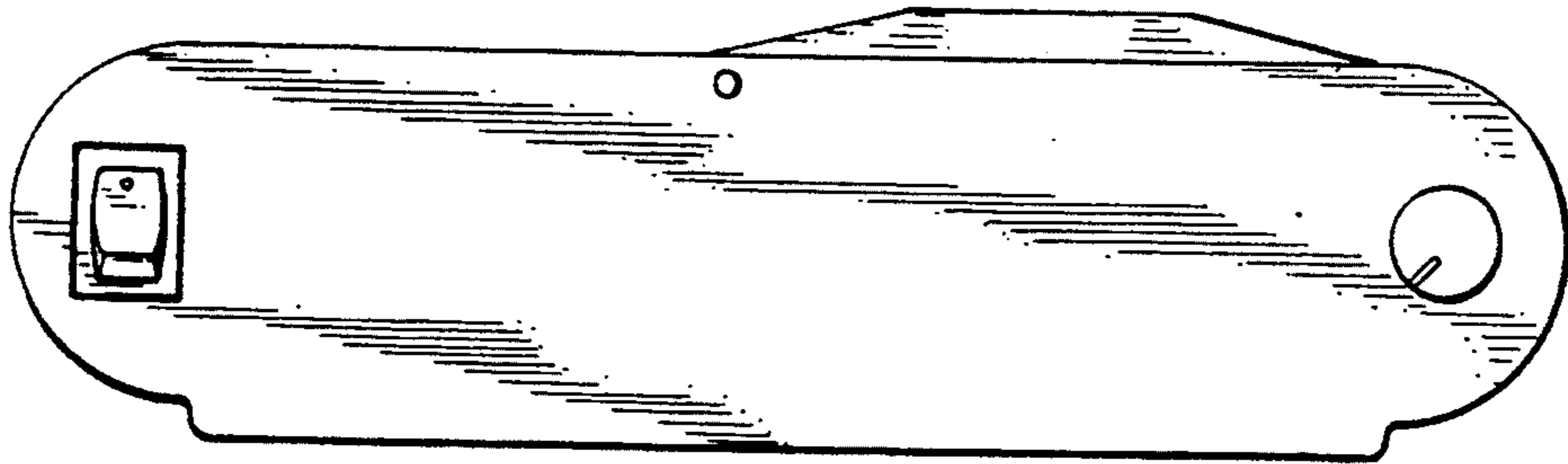


FIG. 2

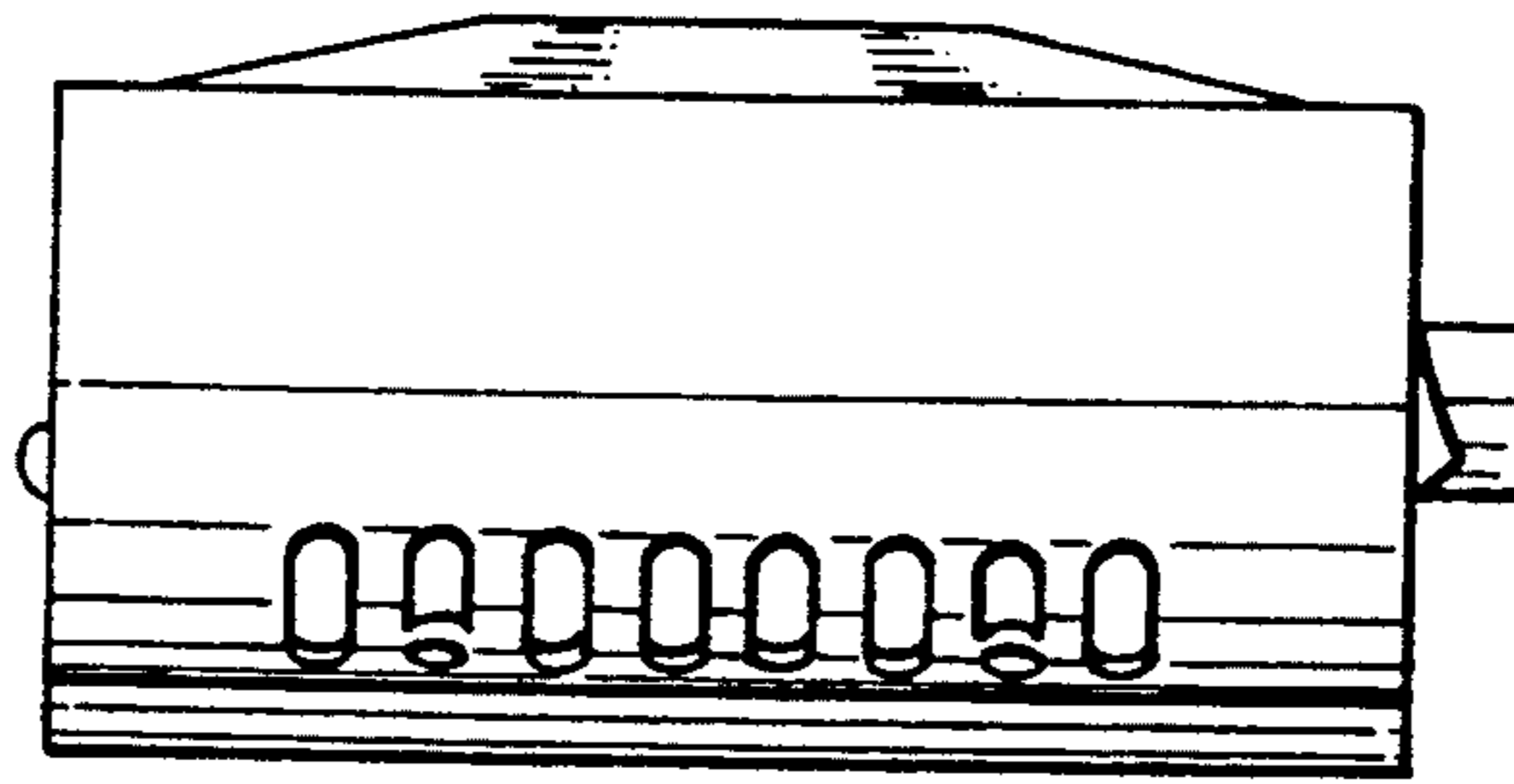


FIG. 4

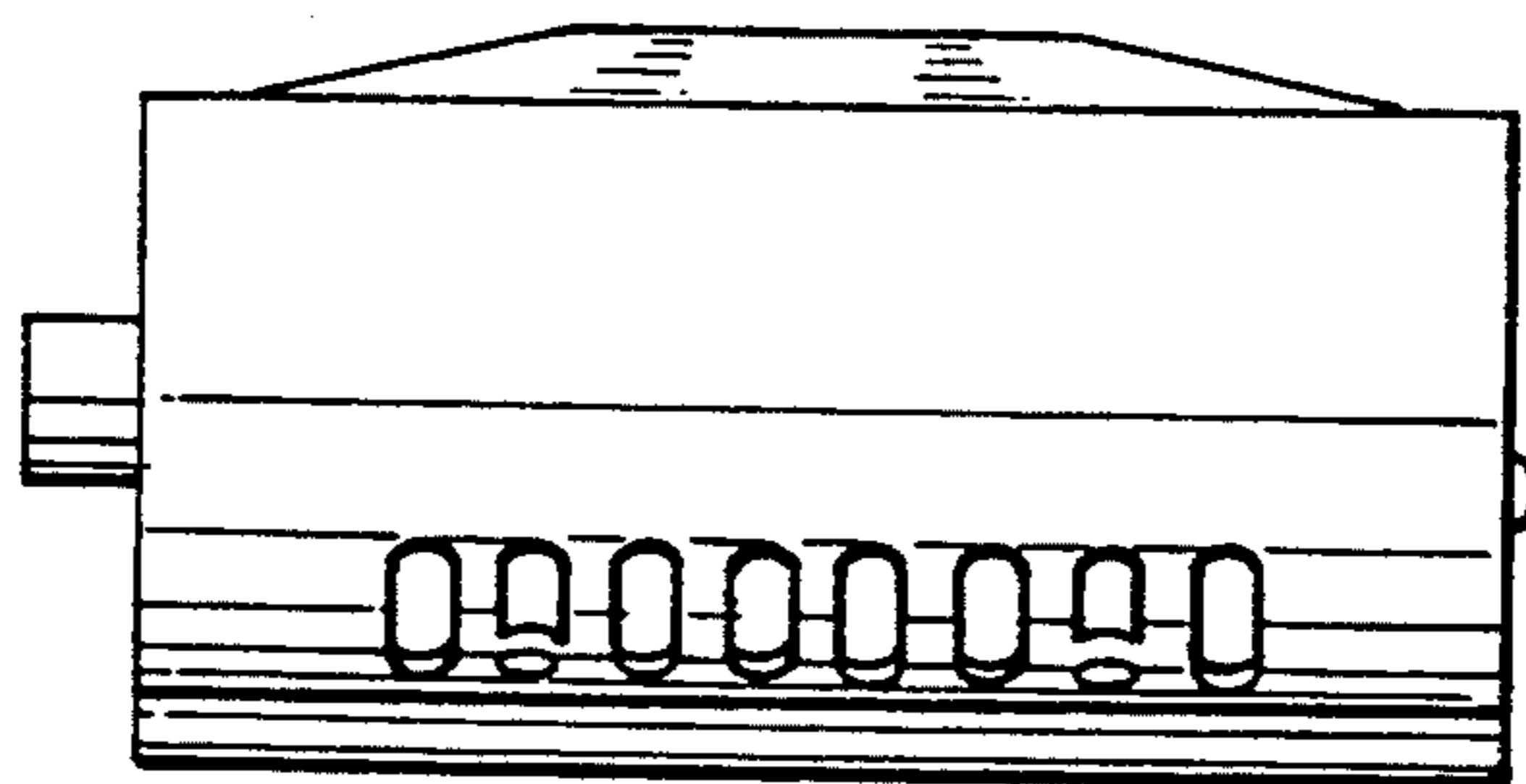


FIG. 5

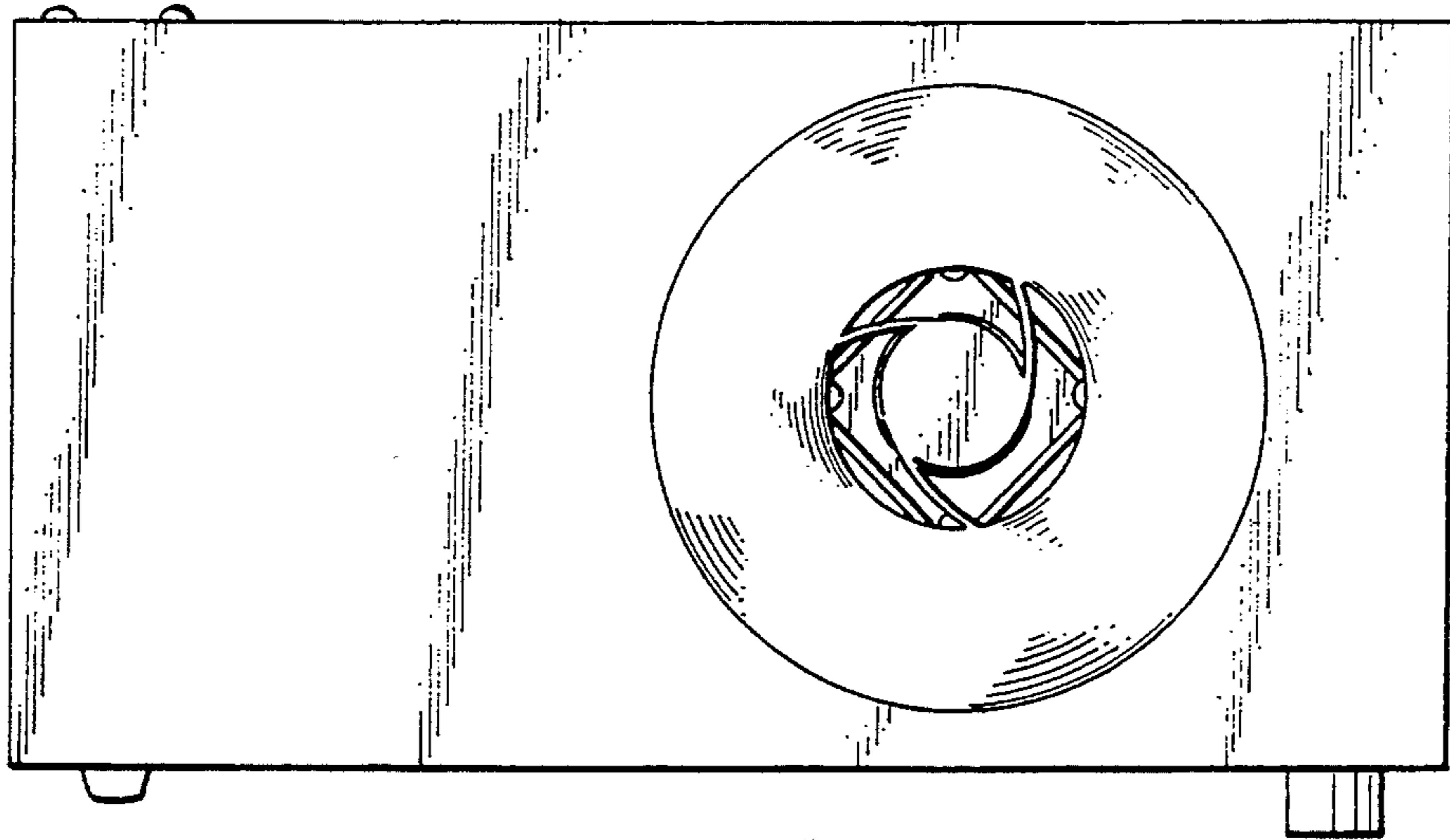


FIG. 6

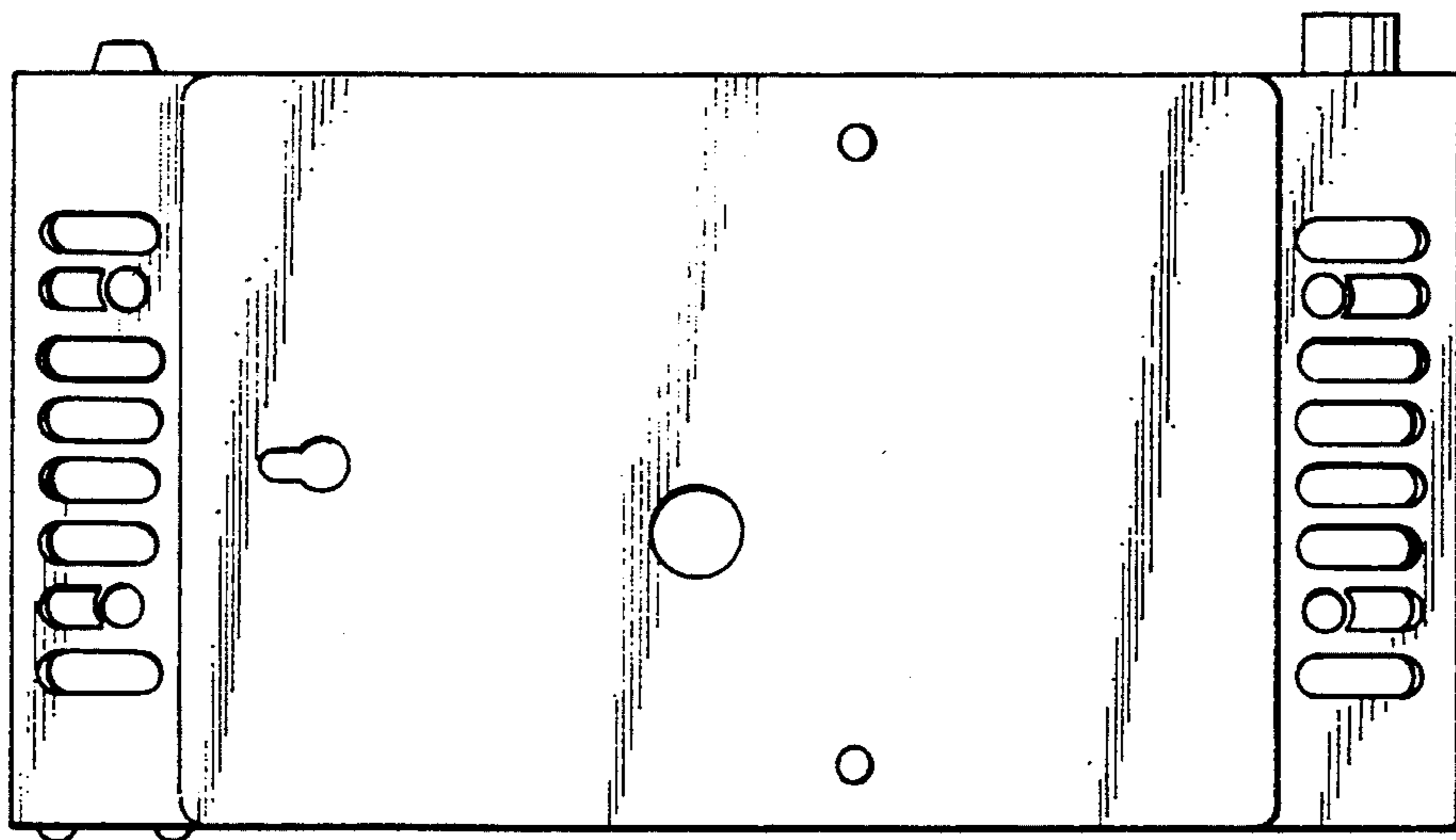


FIG. 7

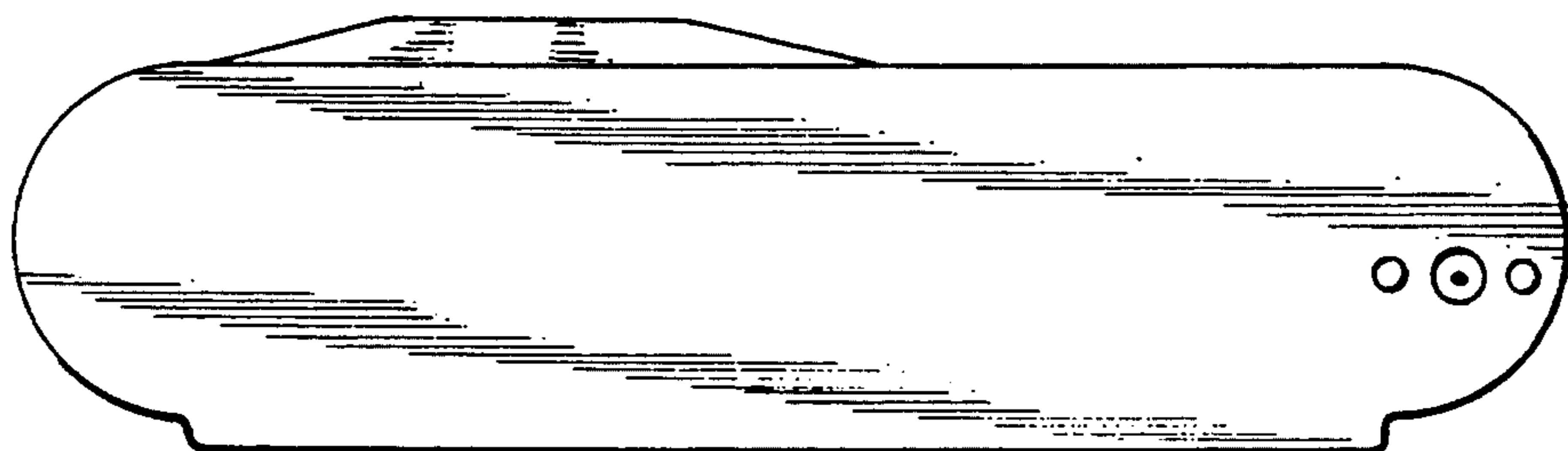


FIG. 3

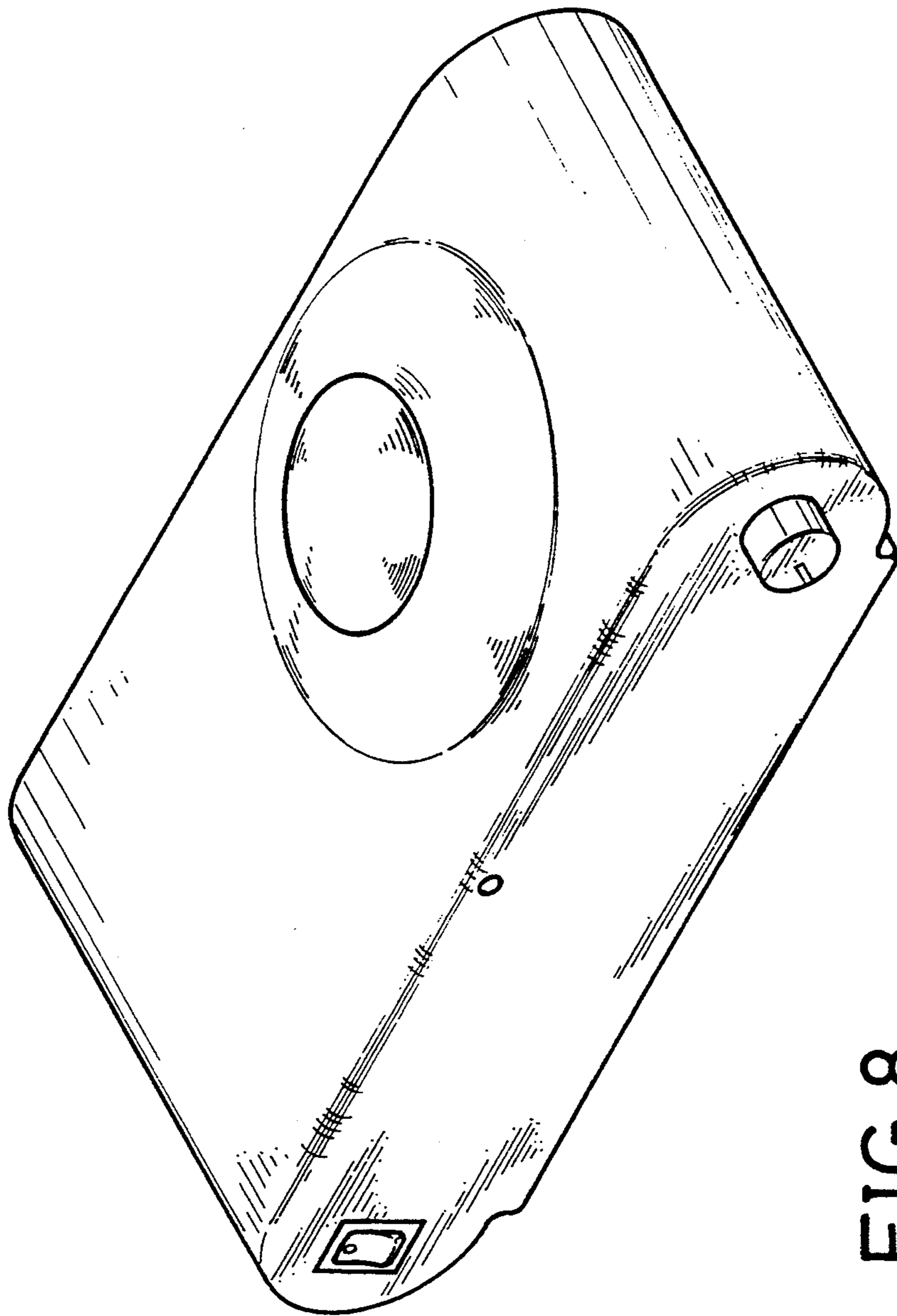


FIG. 8

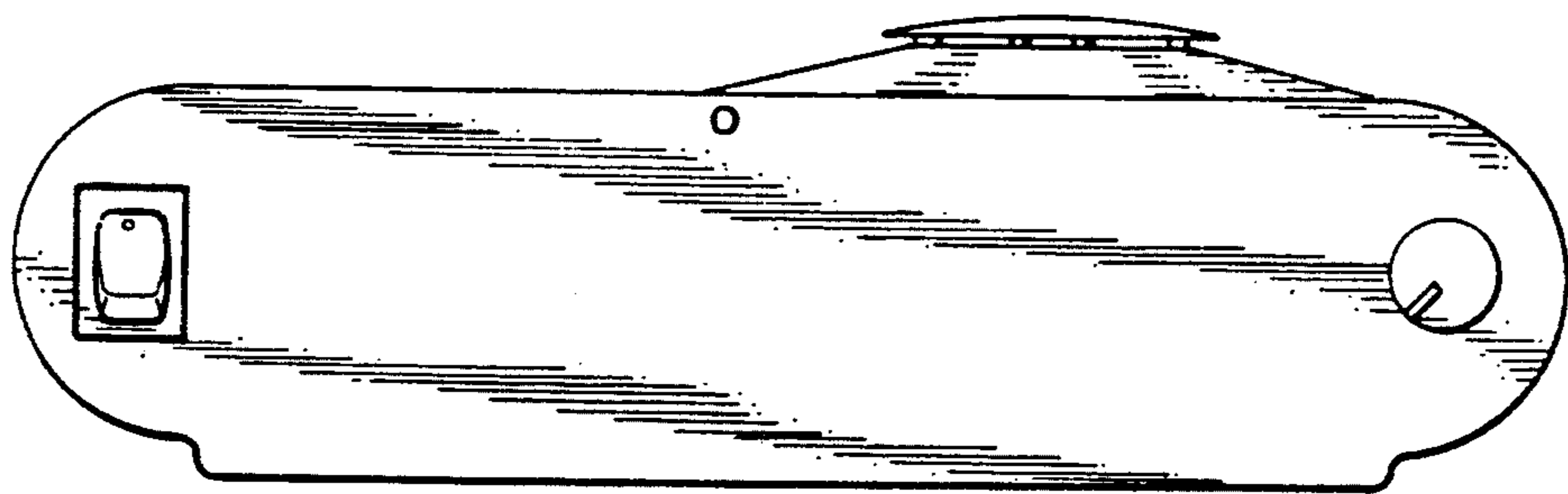


FIG. 9