



US00D351644S

# United States Patent [19]

Jensen

[11] Patent Number: **Des. 351,644**

[45] Date of Patent: **\*\* Oct. 18, 1994**

## [54] GOLF PUTTER HEAD

[76] Inventor: **David B. Jensen**, 911 W. Jefferson, Dallas, Tex. 75208

[\*\*] Term: **14 Years**

[21] Appl. No.: **888,804**

[22] Filed: **May 27, 1992**

[52] U.S. Cl. .... **D21/219**

[58] Field of Search ..... 273/164.1, 167-175;  
D21/214-220

## [56] References Cited

### U.S. PATENT DOCUMENTS

D. 251,027 2/1979 Cruger ..... D21/219  
5,160,144 11/1992 Maniatis ..... 273/168

## OTHER PUBLICATIONS

Golf Magazine, May, 1987, p. 33, bottom, putter head.

*Primary Examiner*—Melvin B. Feifer  
*Attorney, Agent, or Firm*—R. Dan Winn

## [57] CLAIM

The ornamental design for a golf putter head, as shown and described.

## DESCRIPTION

FIG. 1 is a rear perspective view of a golf putter head showing my new design;

FIG. 2 is a rear end elevational view thereof;

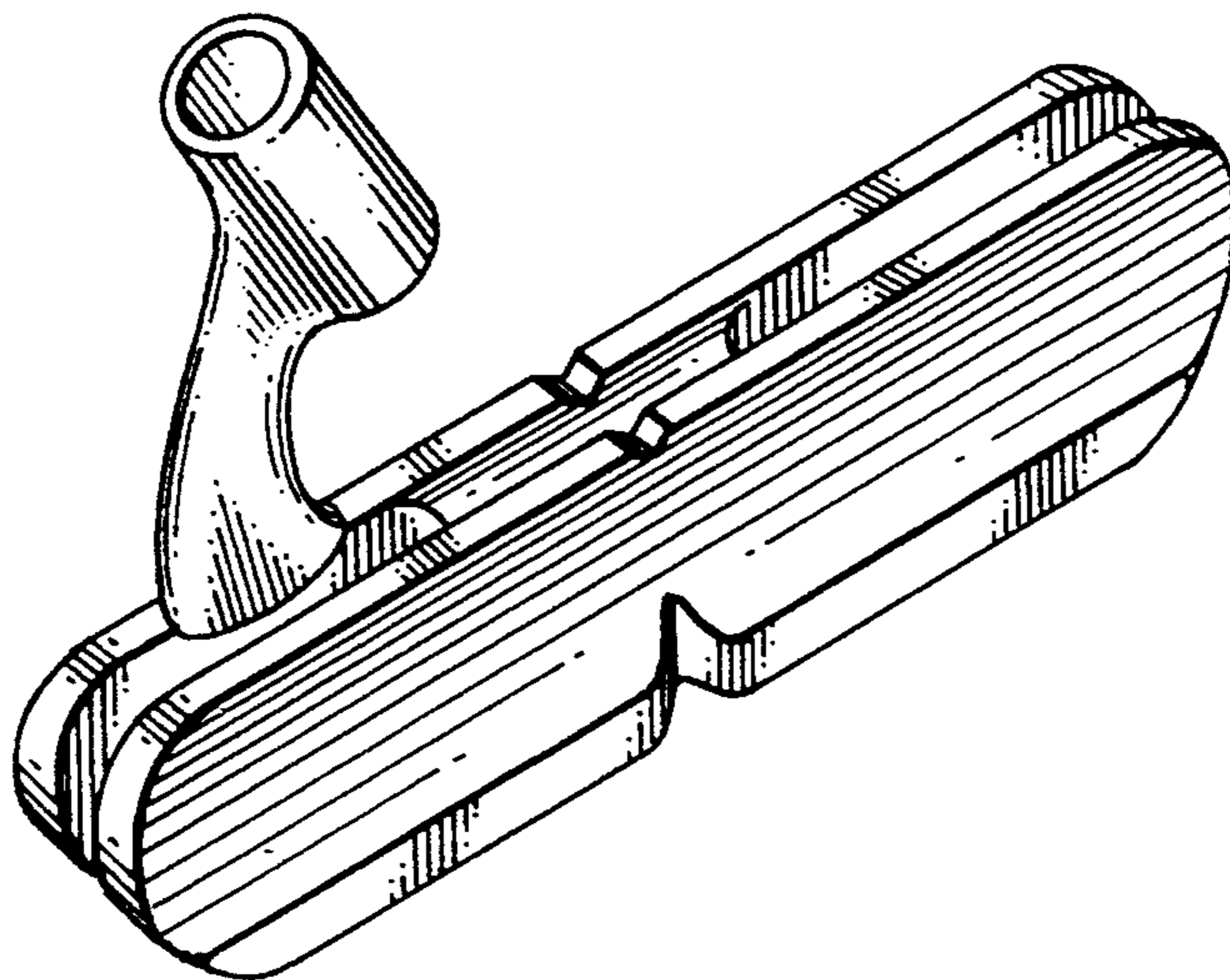
FIG. 3 is a front elevational view thereof;

FIG. 4 is a rear elevational view thereof;

FIG. 5 is a top plan view thereof;

FIG. 6 is a bottom plan view thereof; and,

FIG. 7 is a front end elevational view thereof.



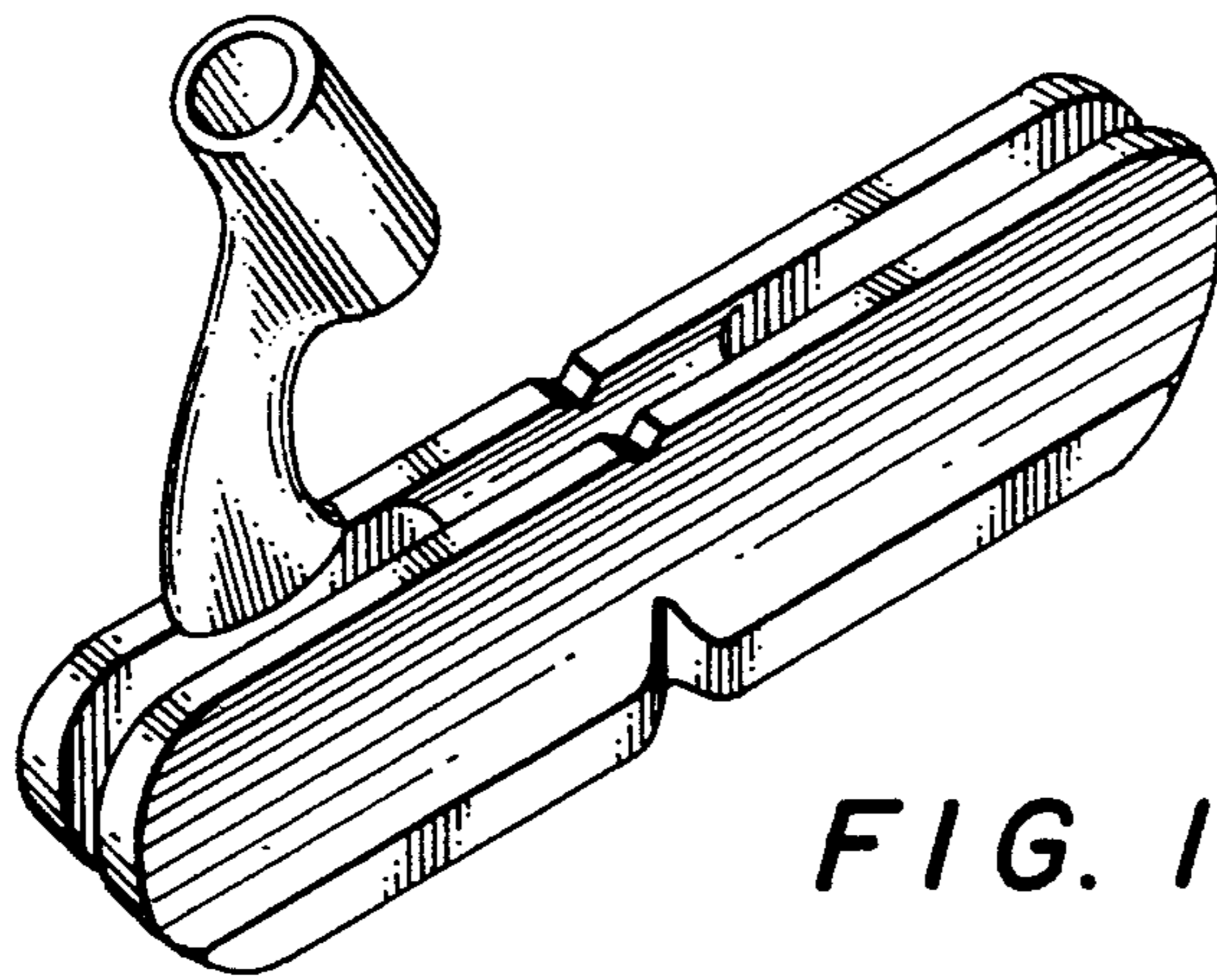


FIG. 1

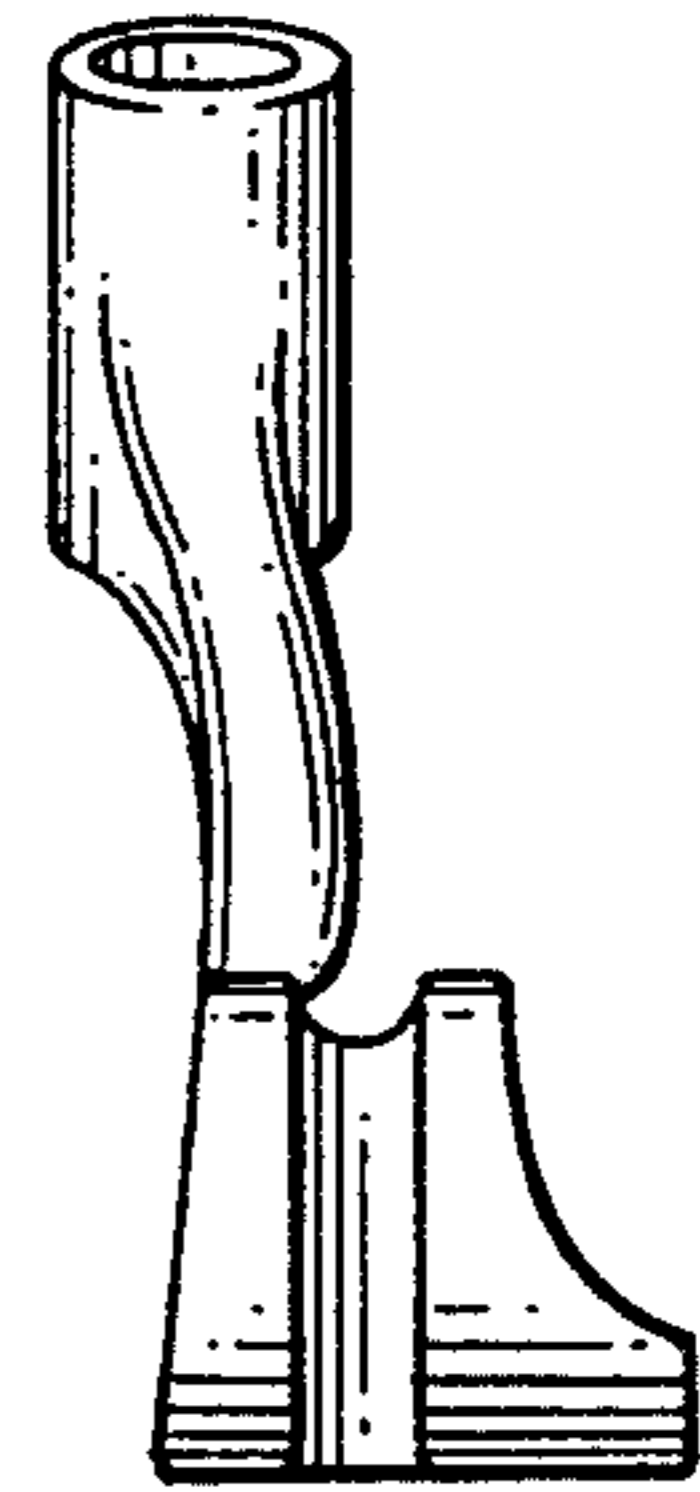


FIG. 2

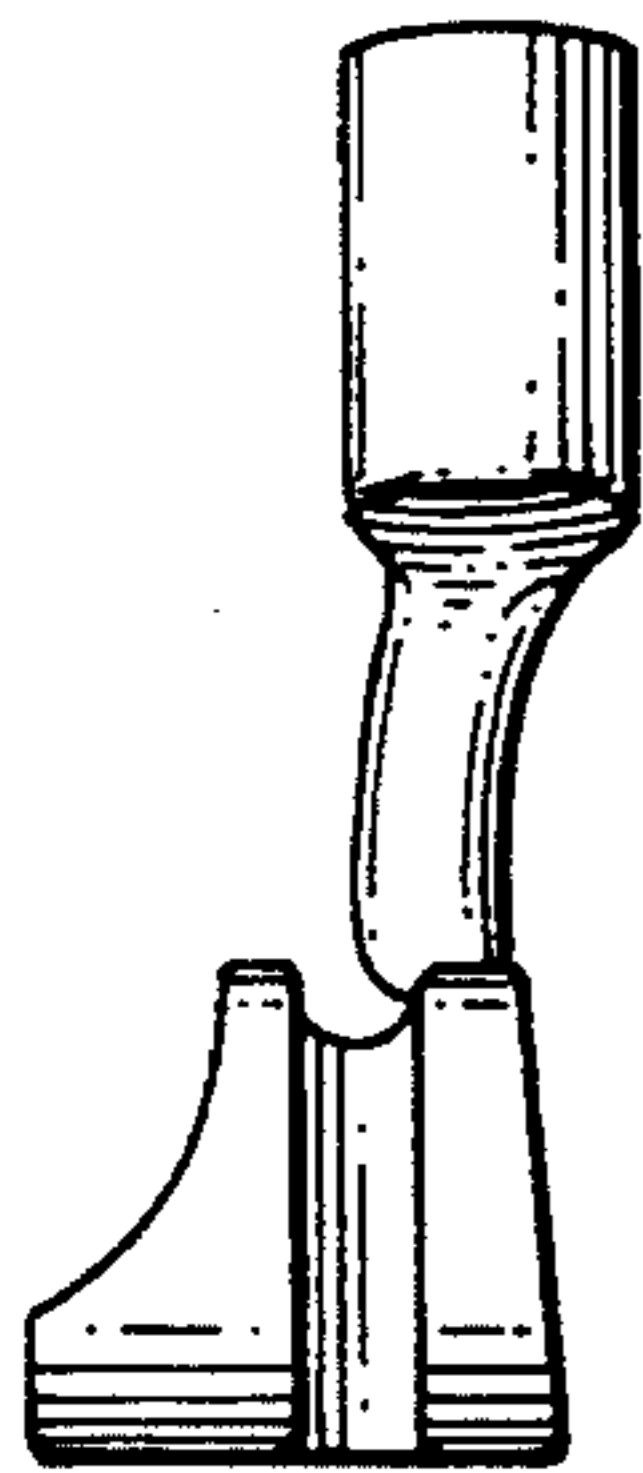


FIG. 7

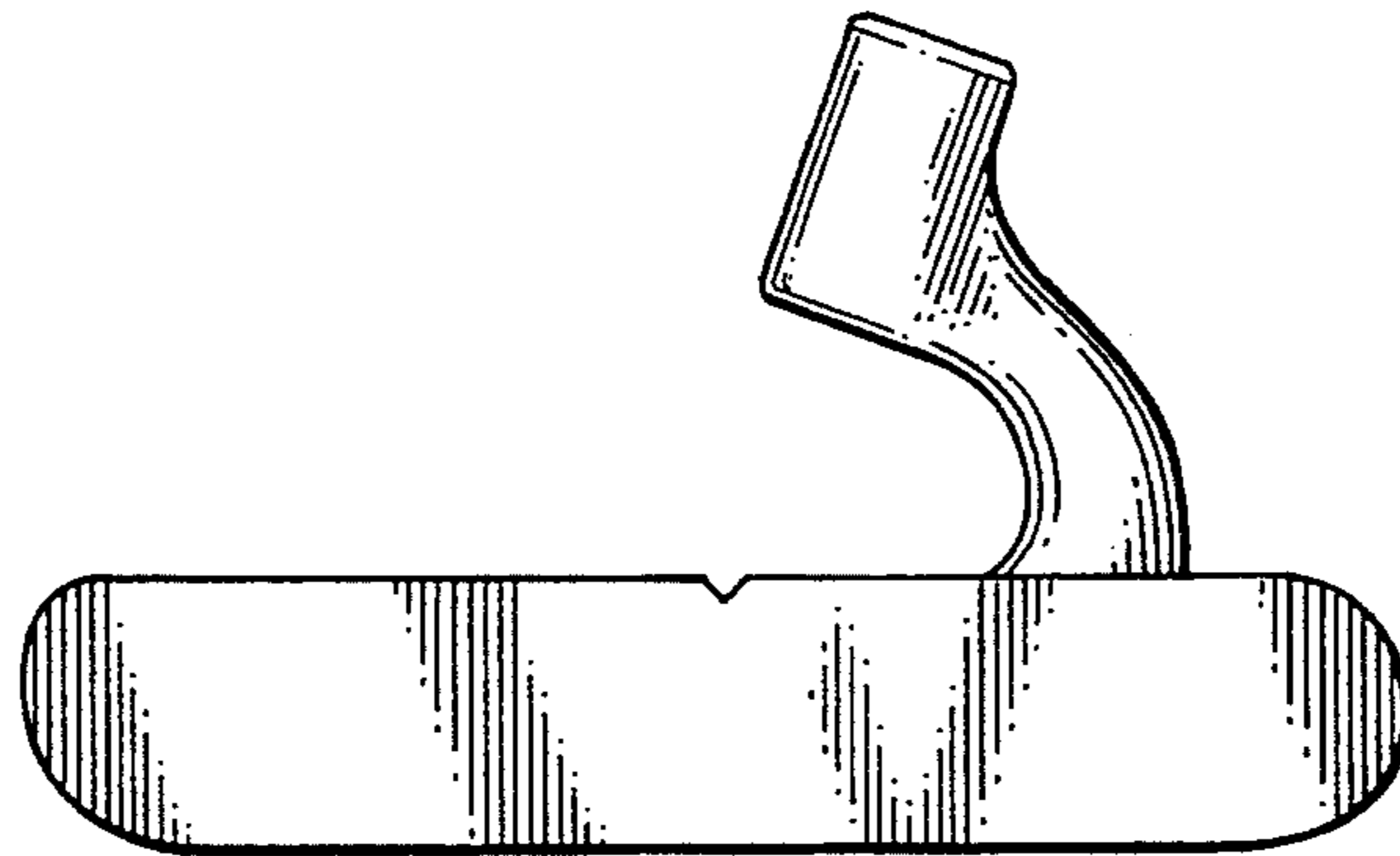


FIG. 3

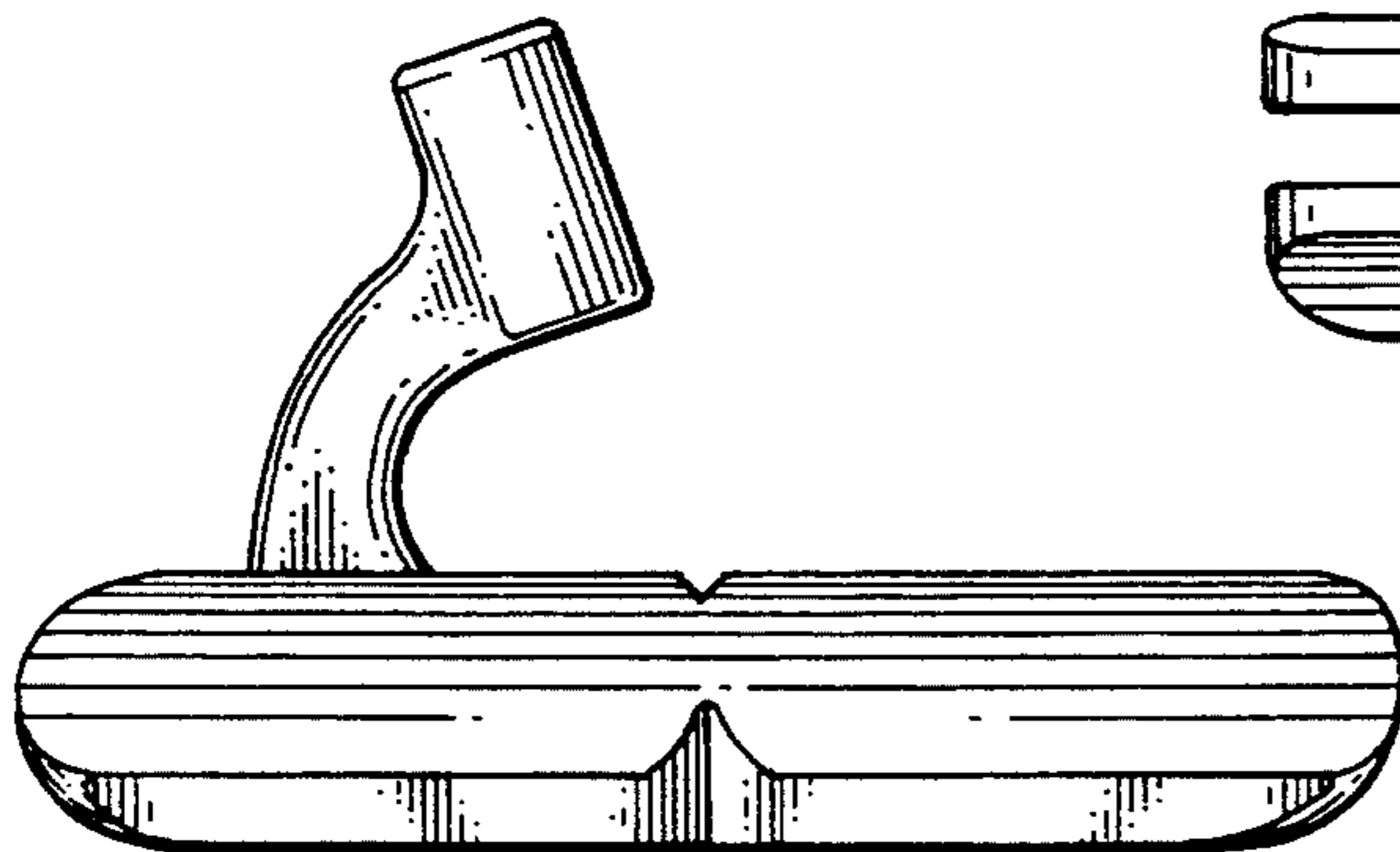


FIG. 4

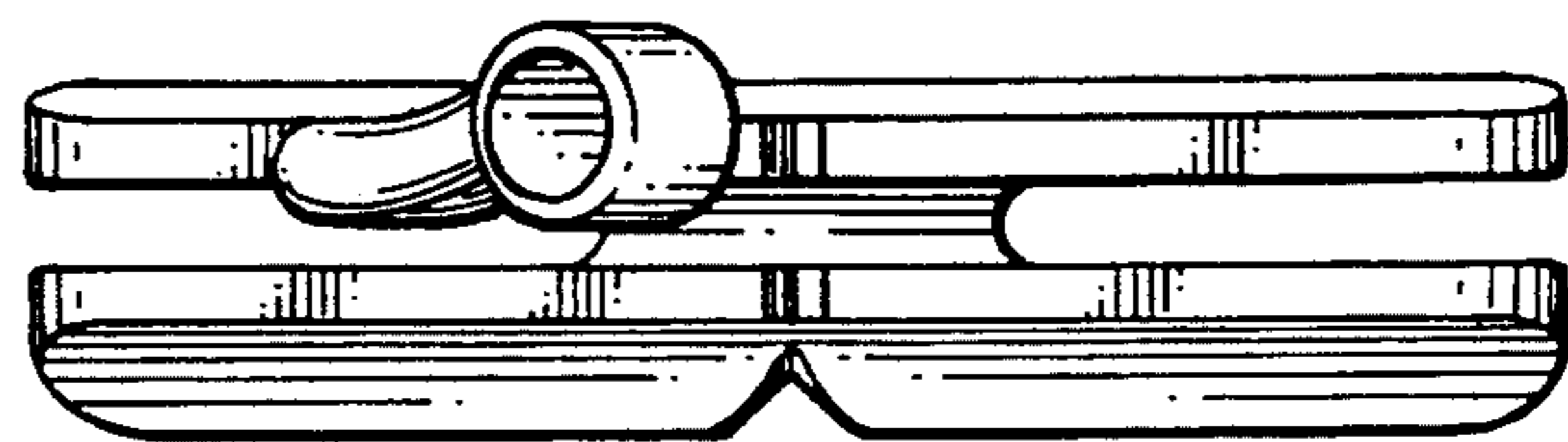


FIG. 5

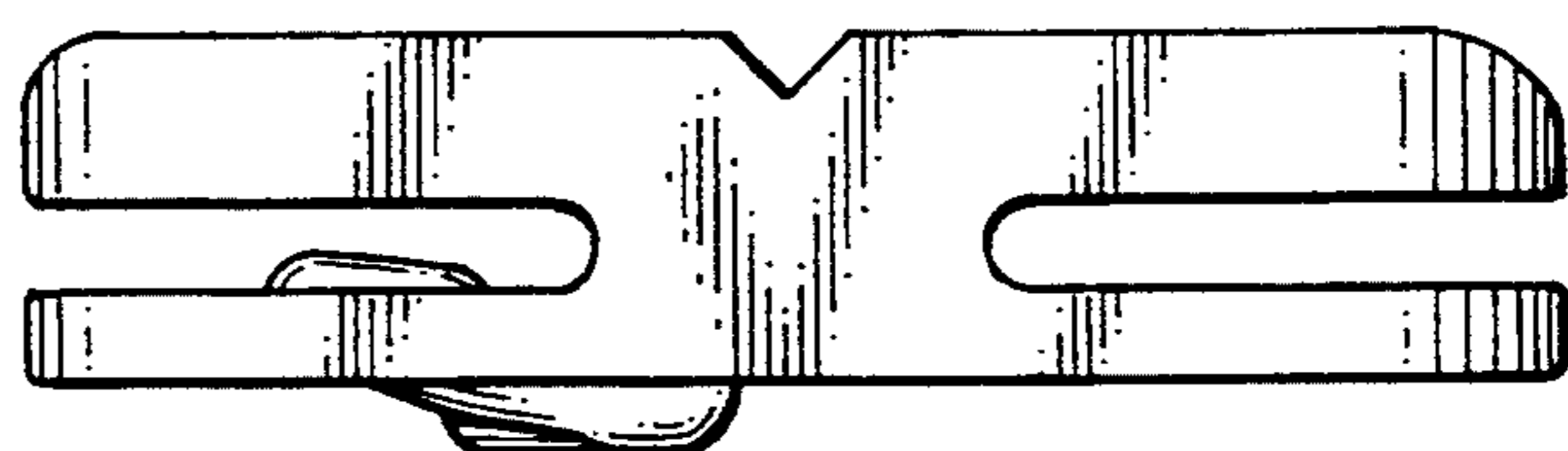


FIG. 6