



US00D351641S

United States Patent [19]

[11] Patent Number: **Des. 351,641**

Buecker

[45] Date of Patent: **** Oct. 18, 1994**

[54] **SHOWER HEAD**

[76] Inventor: **Jim Buecker**, 4702 Rocks Rd., Street, Md. 21154

[**] Term: **14 Years**

[21] Appl. No.: **7,020**

[22] Filed: **Apr. 15, 1993**

[52] U.S. Cl. **D23/213**

[58] Field of Search 239/276, 280-283, 239/280.5, 288.5, 443-449, 456-460, 525, 556-559; D23/213, 223-229, 238, 241

[56] **References Cited**

U.S. PATENT DOCUMENTS

- D. 49,320 7/1916 Van Nostrand D23/238
- D. 182,056 2/1958 Albert D23/238
- D. 191,428 9/1961 Chatham D23/229
- D. 266,454 10/1982 Miller D23/229

- D. 315,015 2/1991 Geneve D23/229
- 2,795,462 6/1957 Bletcher et al. D23/229

Primary Examiner—Wallace R. Burke
Assistant Examiner—Robin V. Taylor
Attorney, Agent, or Firm—Hugh E. Smith

[57] **CLAIM**

The ornamental design for a shower head, as shown and described.

DESCRIPTION

FIG. 1 is a front elevational view of the shower head showing my new design;
FIG. 2 is a rear elevational view thereof;
FIG. 3 is a left side elevational view thereof;
FIG. 4 is a right side elevational view thereof;
FIG. 5 is a top plan view thereof; and,
FIG. 6 is a bottom plan view thereof; and,
FIG. 7 is an exploded side view thereof.

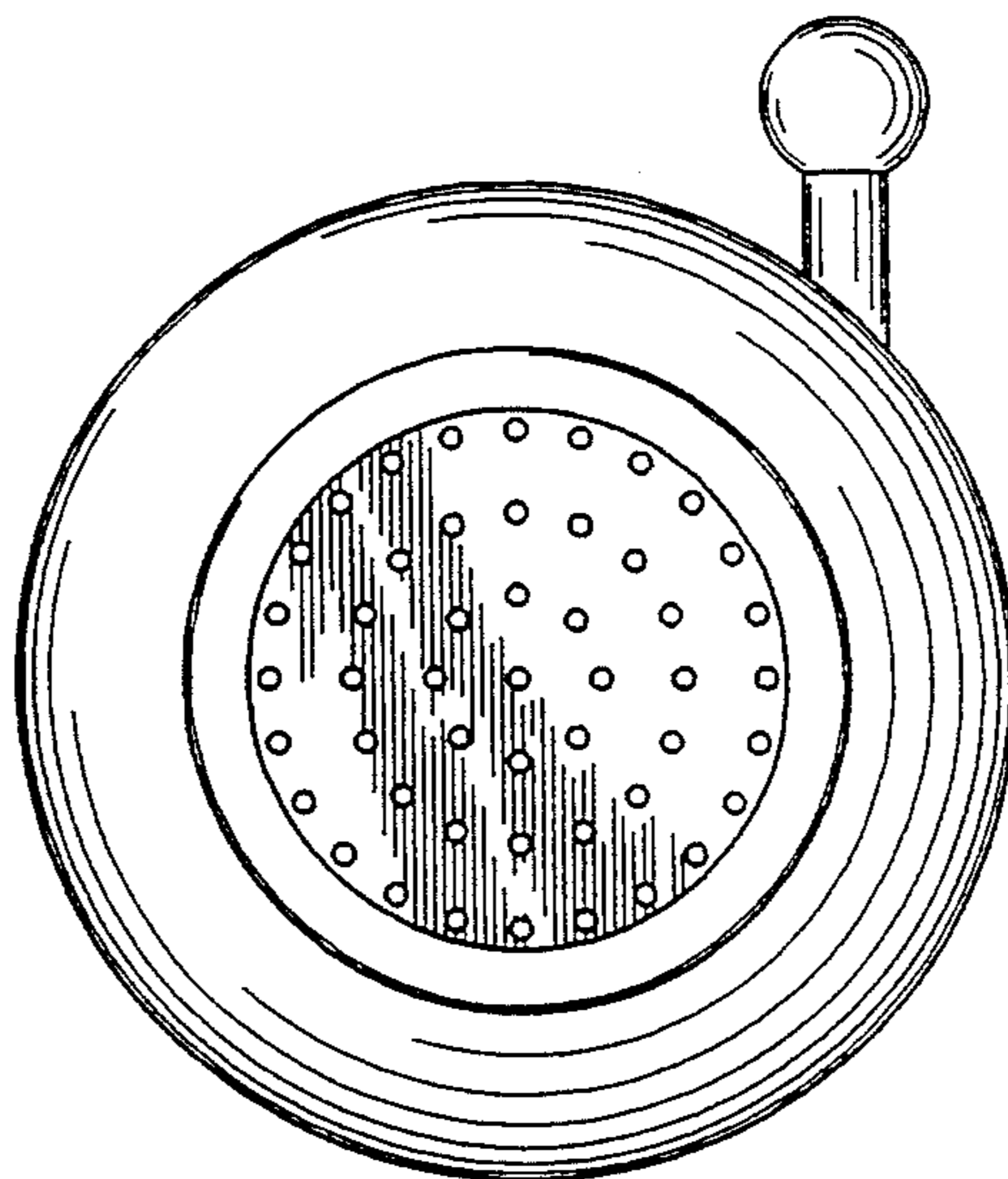
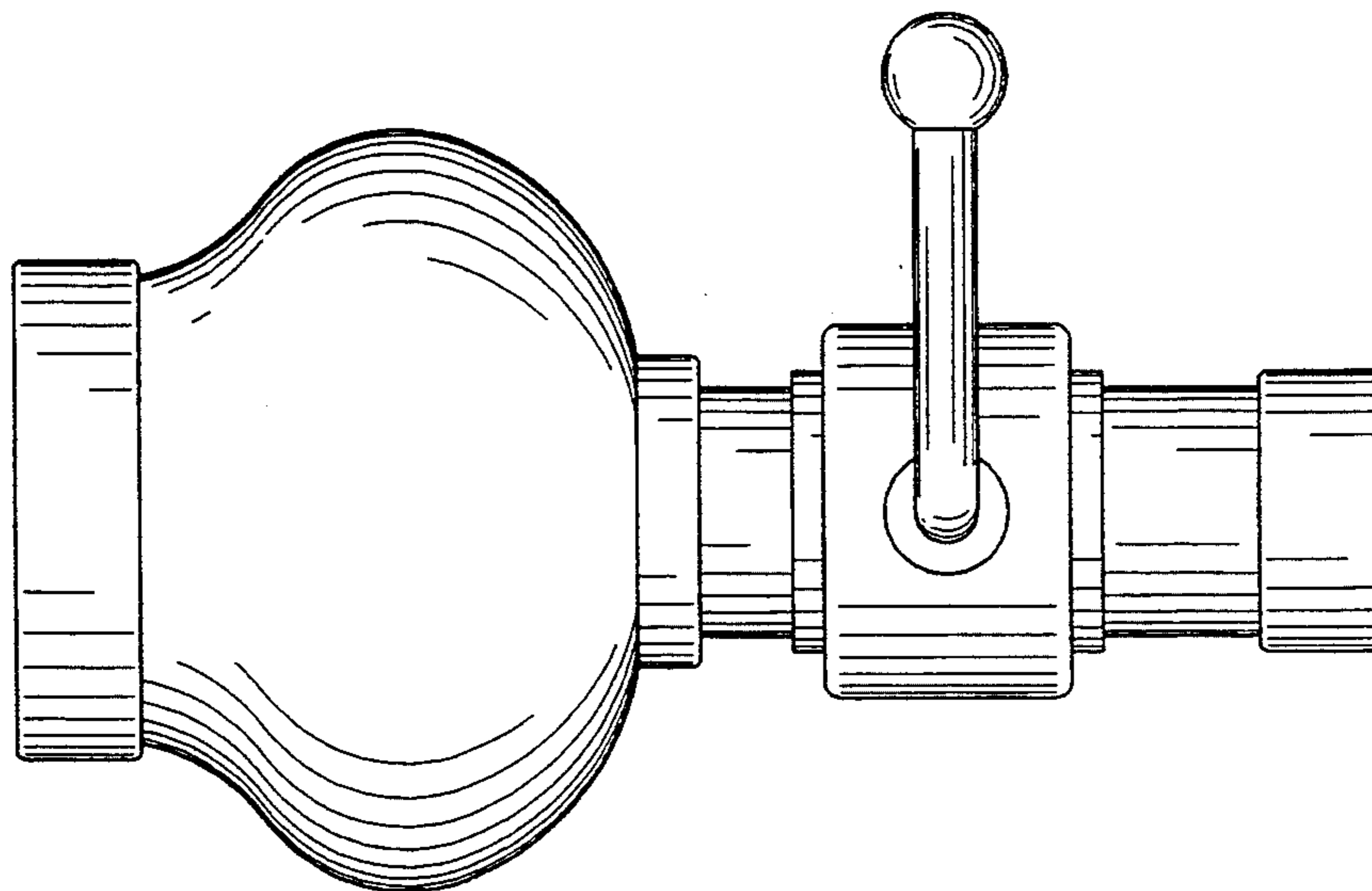


FIG. 1

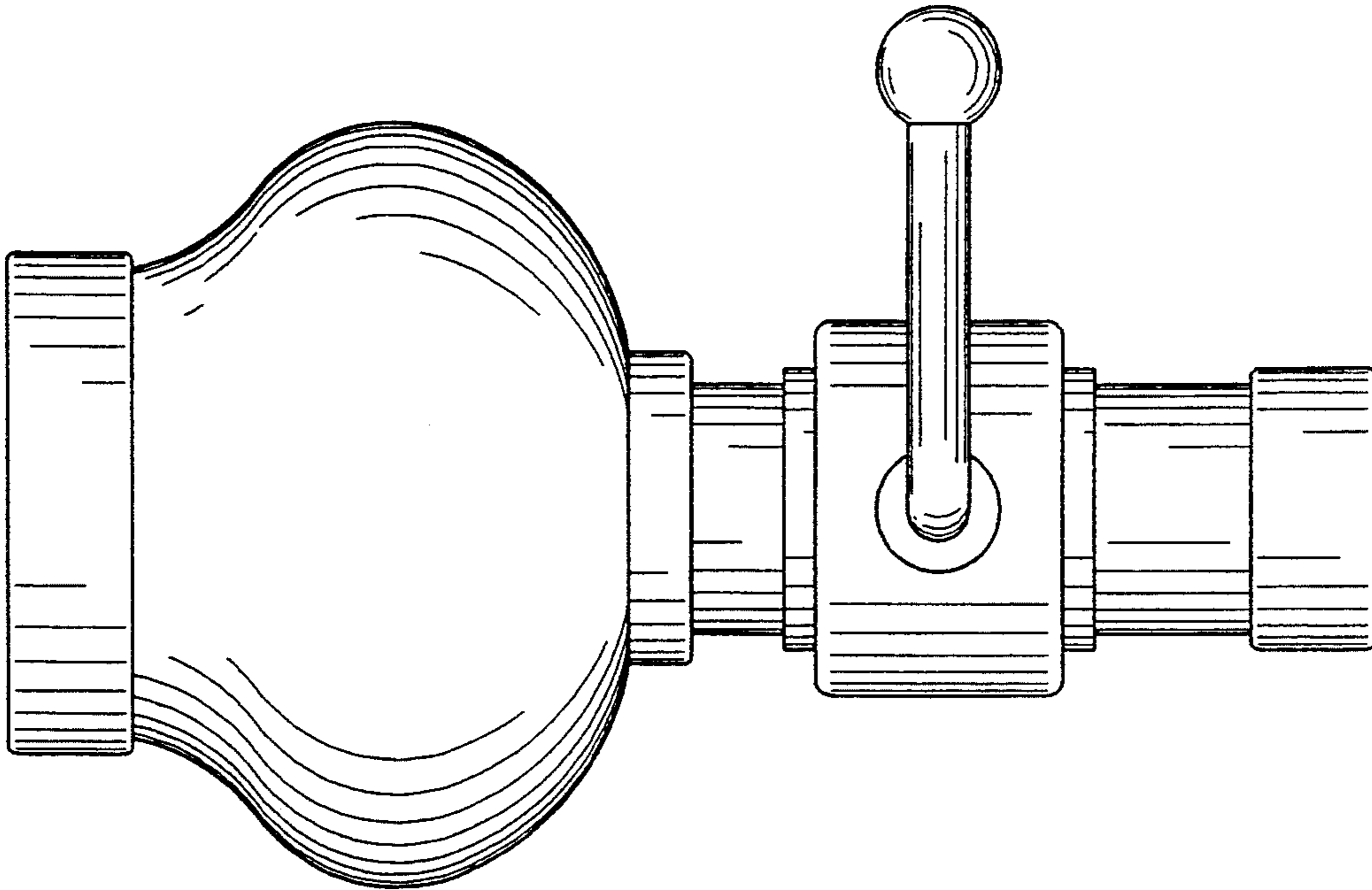


FIG. 2

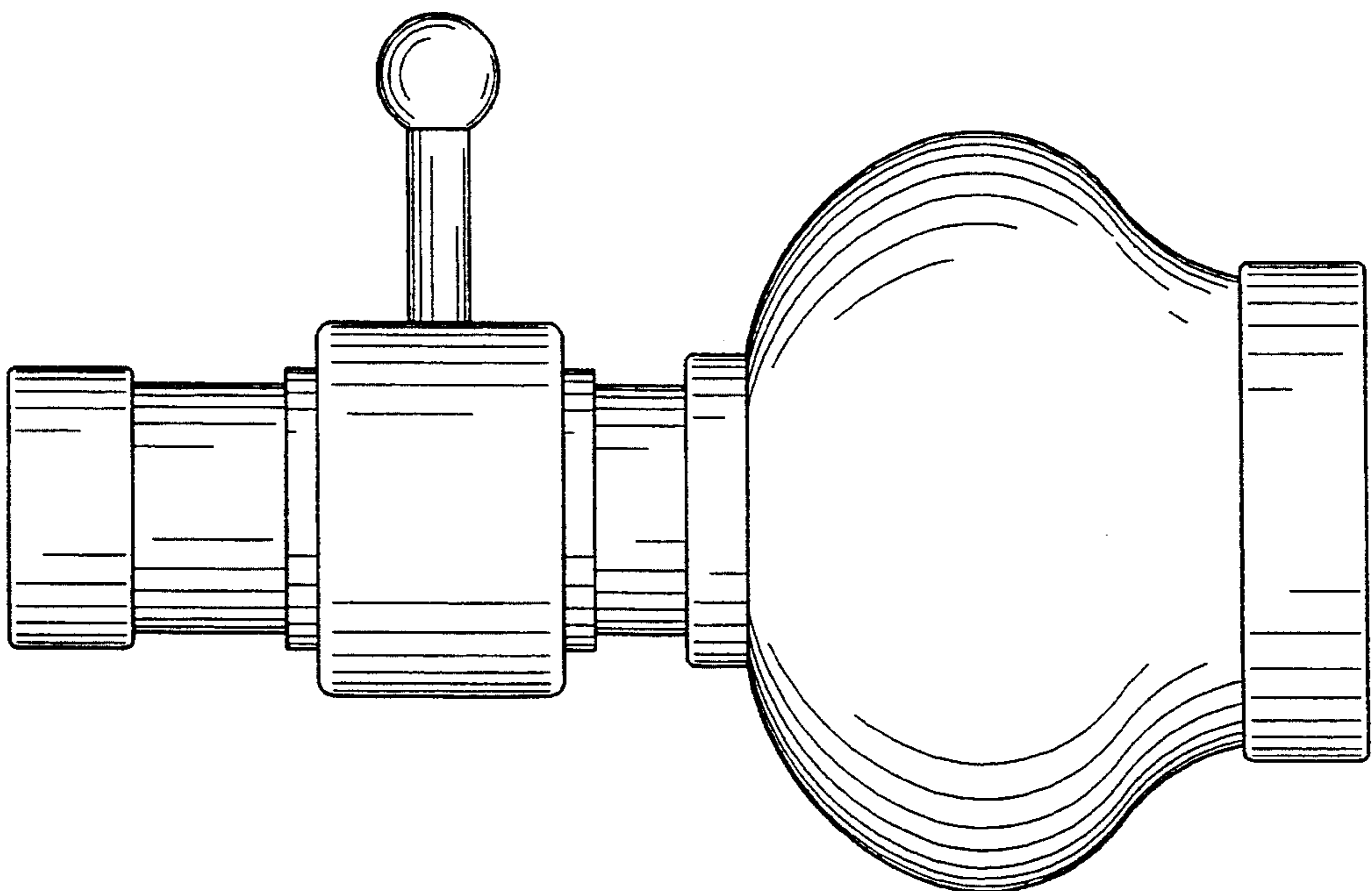


FIG. 3

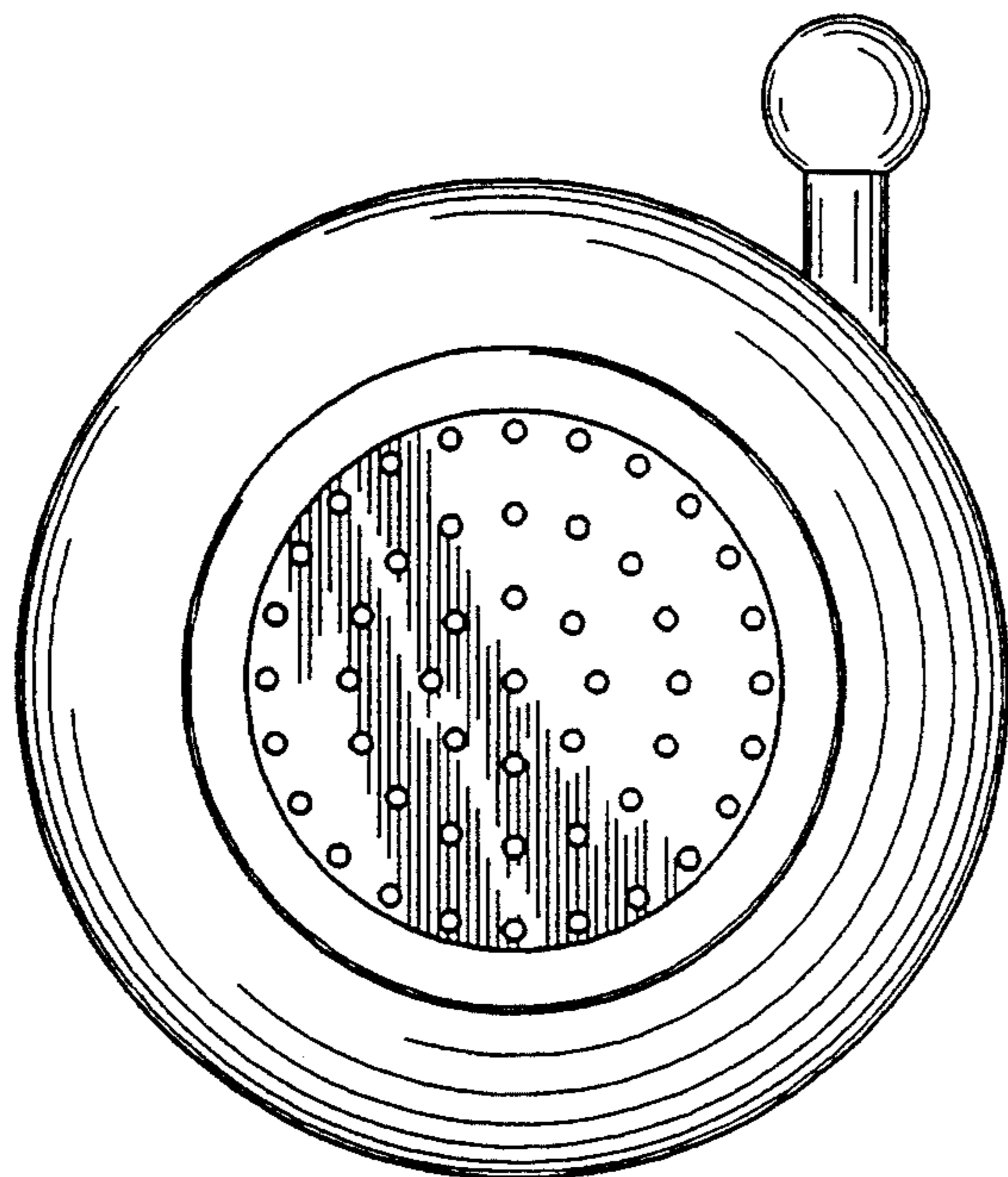


FIG. 4

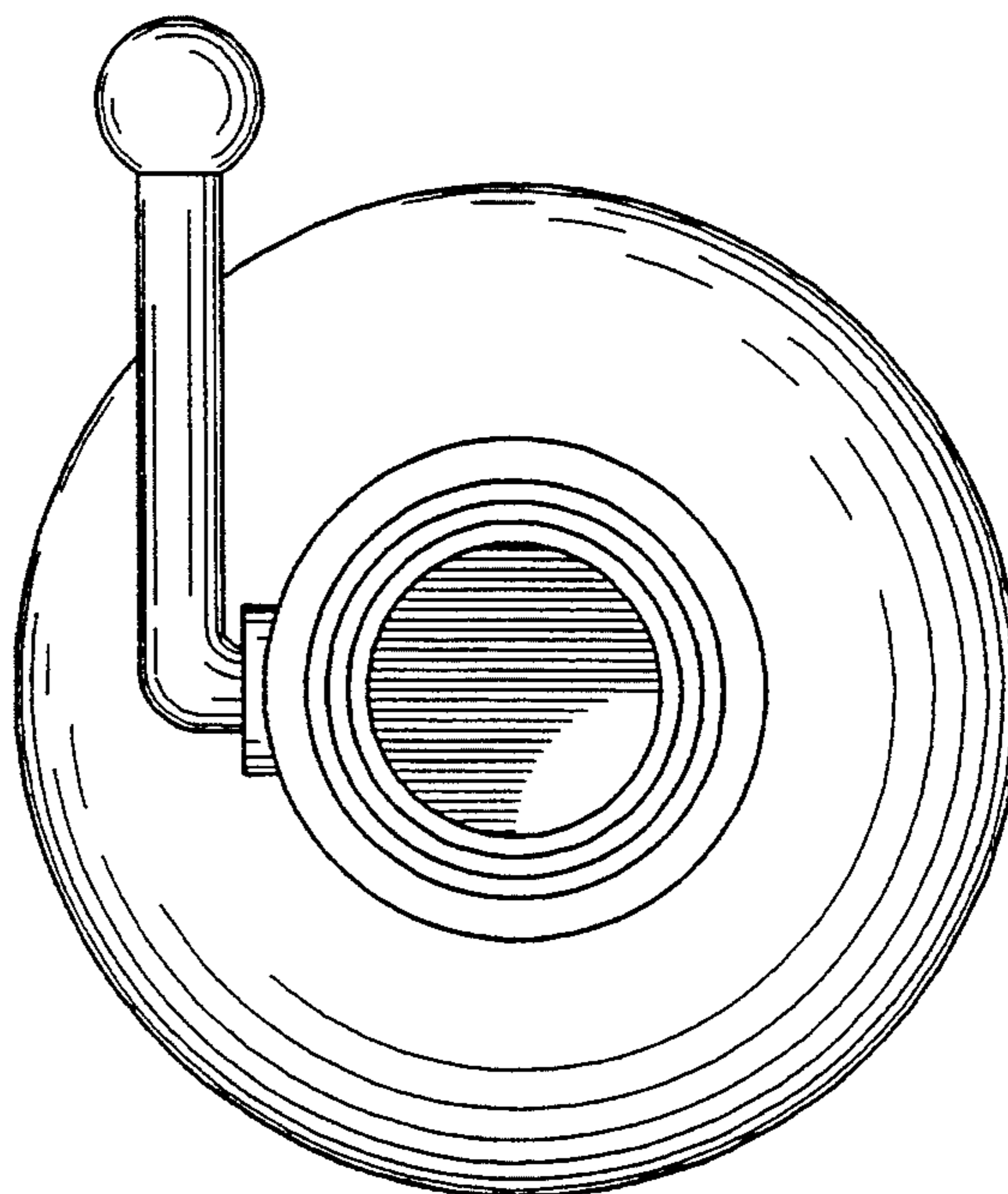


FIG. 5

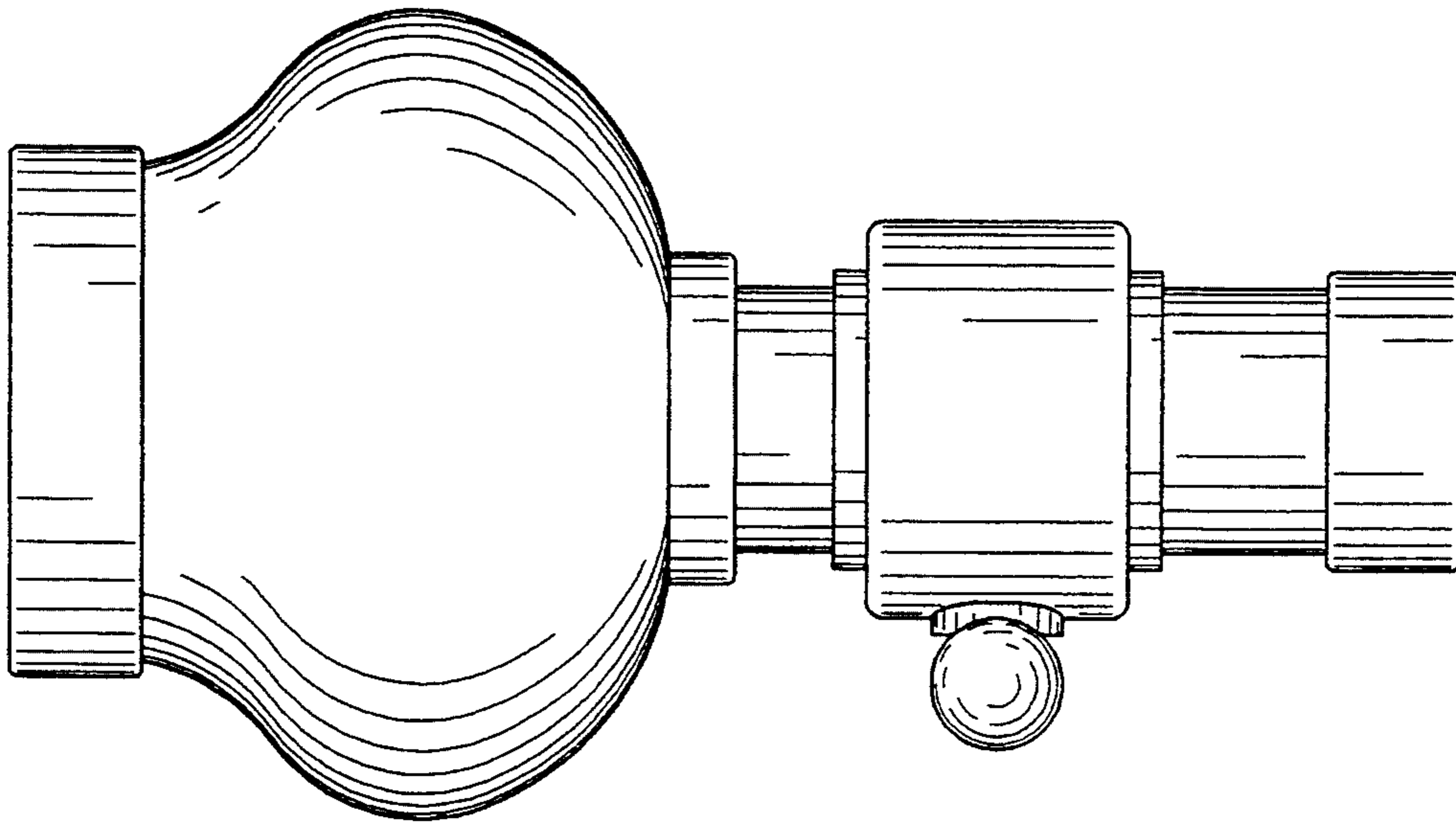


FIG. 6

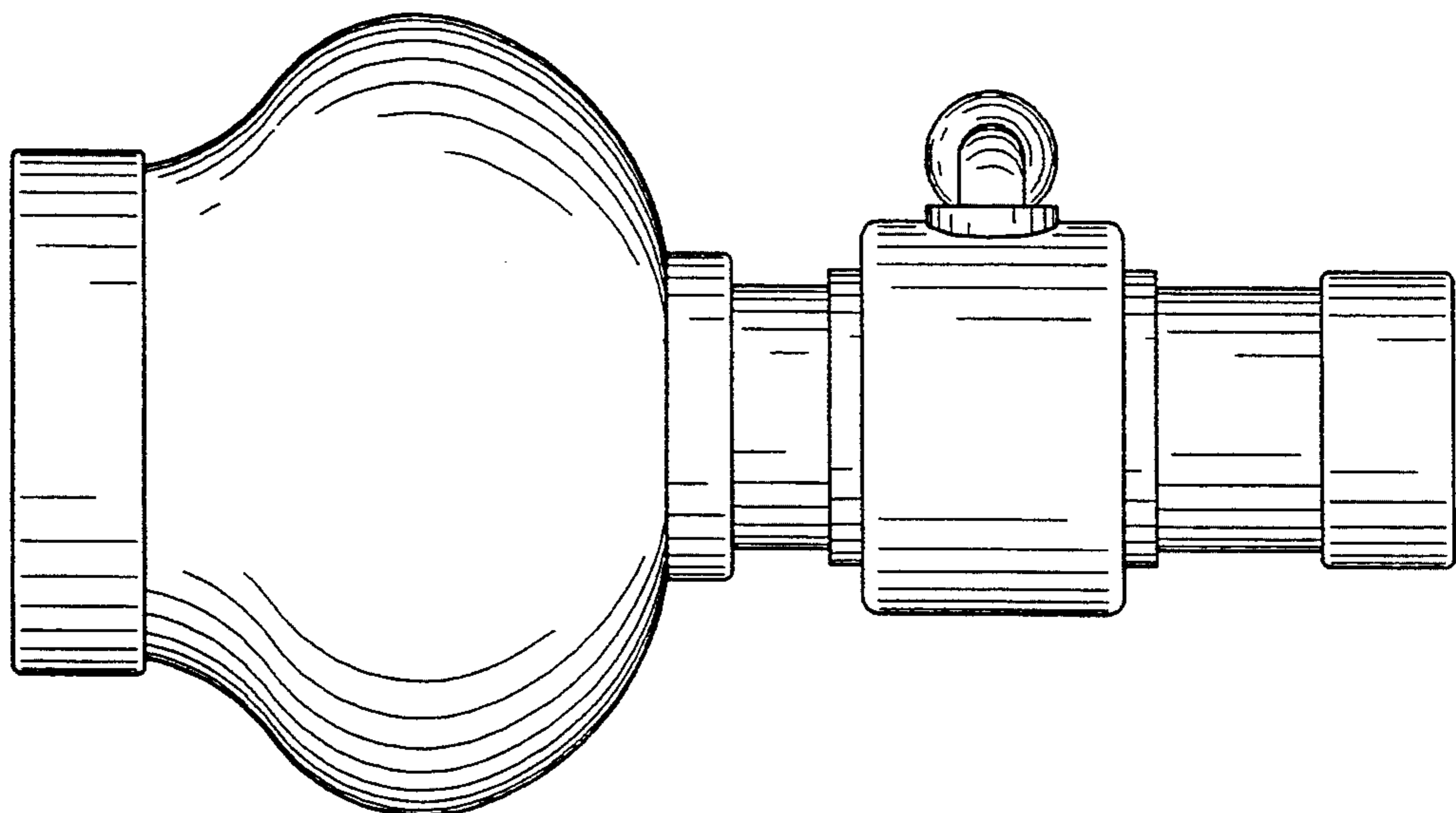


FIG. 7

