



US00D351640S

United States Patent [19]

de Anda et al.

[11] Patent Number: **Des. 351,640**

[45] Date of Patent: **** Oct. 18, 1994**

[54] **ELECTRONIC STUNNING WEAPON**

[76] Inventors: **Richard N. de Anda; Dale R. Hollis,**
both of 2899 Agoura Rd. - Ste. 202,
Westlake Village, Calif. 91361

[**] Term: **14 Years**

[21] Appl. No.: **16,257**

[22] Filed: **Dec. 13, 1993**

[52] U.S. Cl. **D22/117**

[58] Field of Search 273/84 R, 84 ES;
261/232; 231/7; 42/1.12, 1.08, 1.09; D22/117;
D30/156

[56] **References Cited**

U.S. PATENT DOCUMENTS

- D. 289,313 4/1987 Shy D22/117
- D. 323,870 2/1992 Kaufman D22/117
- D. 329,510 9/1992 Lin D22/117 X
- 2,124,172 7/1938 Wildes et al. 42/1.08 X

- 2,204,041 6/1940 Jefferson 273/84 ES
- 4,092,695 5/1978 Henderson et al. D22/117 X
- 4,486,807 12/1984 Yanez 273/84 ES
- 4,719,534 1/1988 Ward D22/117 X
- 4,968,034 11/1990 Hsieh 361/232 X

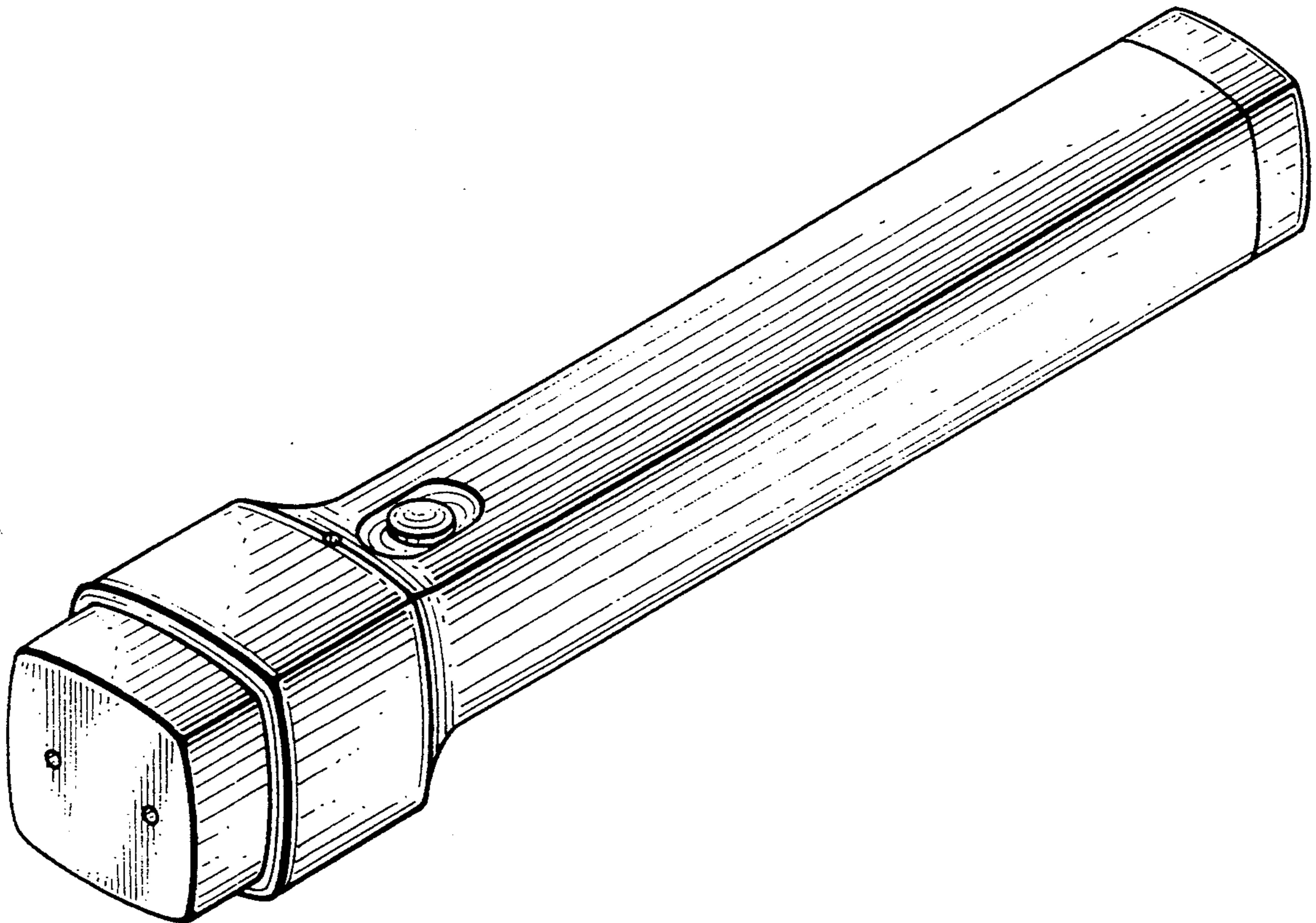
Primary Examiner—A. Hugo Word
Assistant Examiner—Doris V. Coles
Attorney, Agent, or Firm—Jack C. Munro

[57] **CLAIM**

The ornamental design for electronic stunning weapon,
as shown and described.

DESCRIPTION

FIG. 1 is an isometric view of the electronic stunning
weapon showing our new design;
FIG. 2 is a front elevational view thereof;
FIG. 3 is a right side elevational view thereof with the
left side view and bottom view being identical;
FIG. 4 is a rear elevational view thereof; and,
FIG. 5 is a top elevational view thereof.



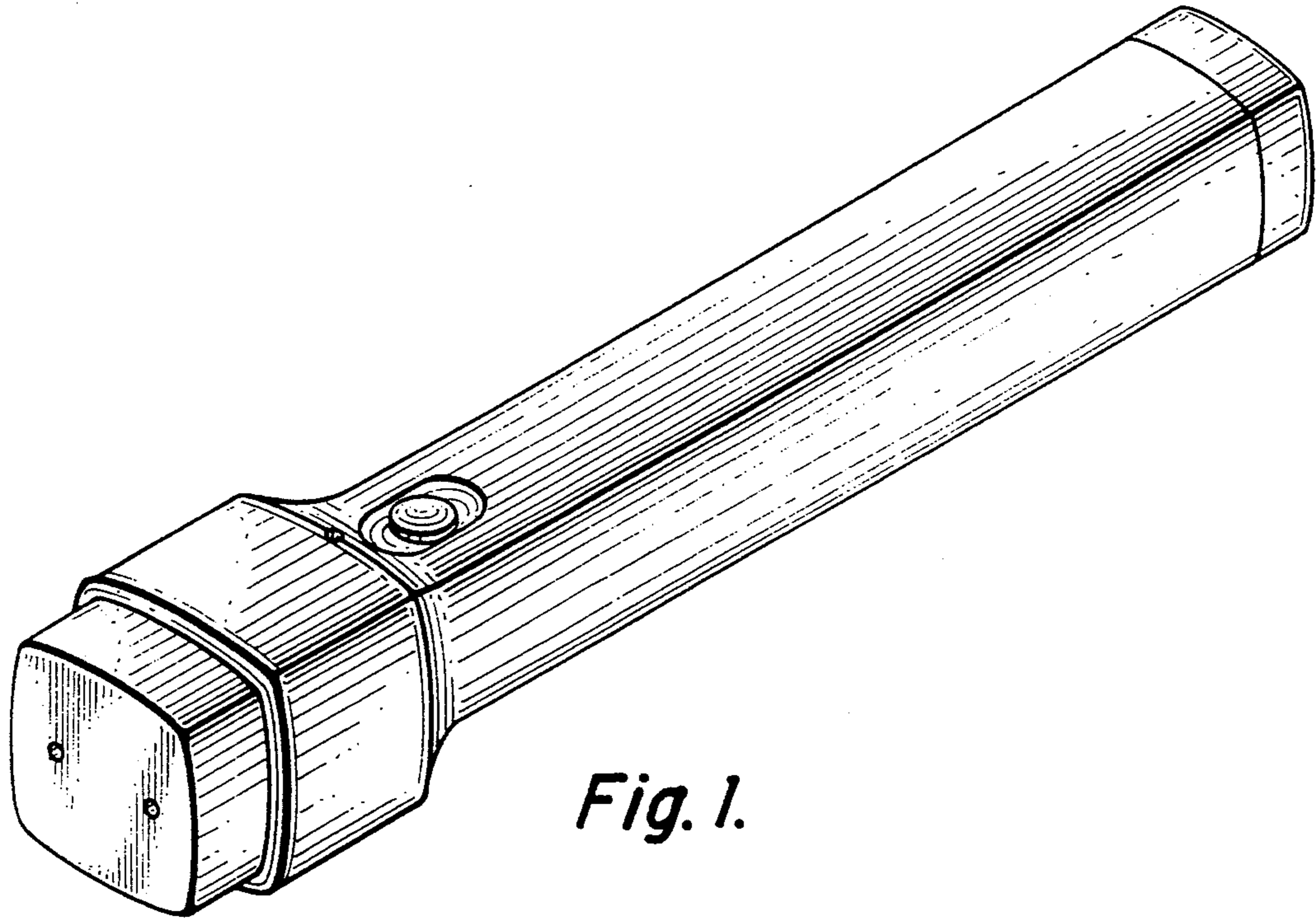


Fig. 1.

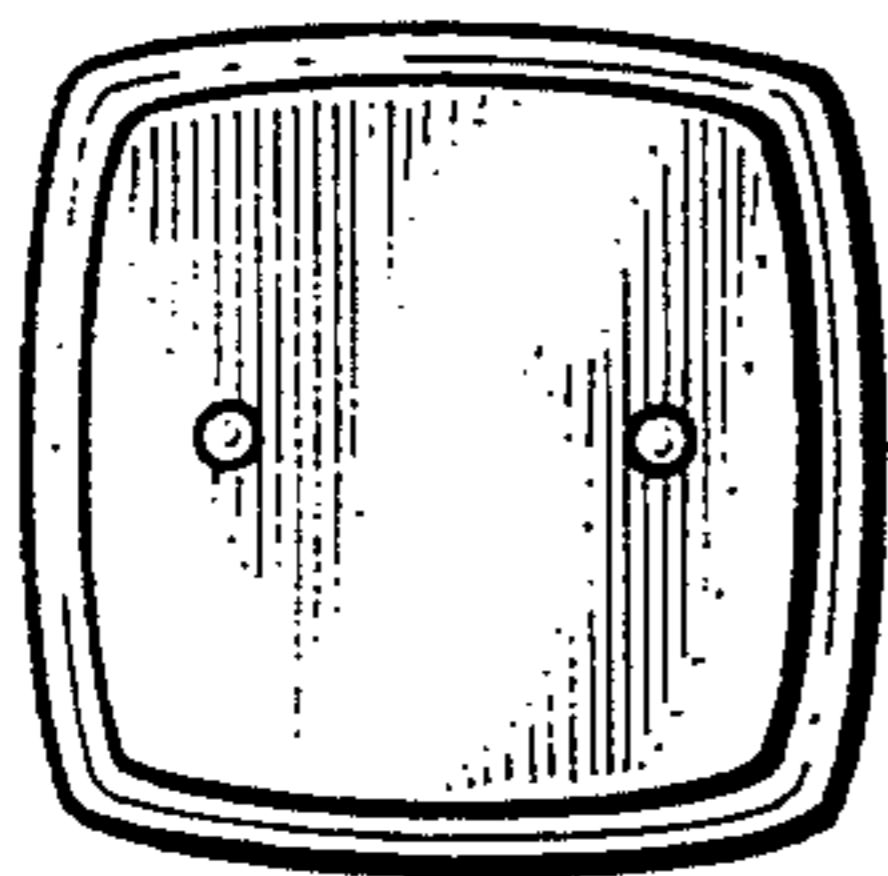


Fig. 2.

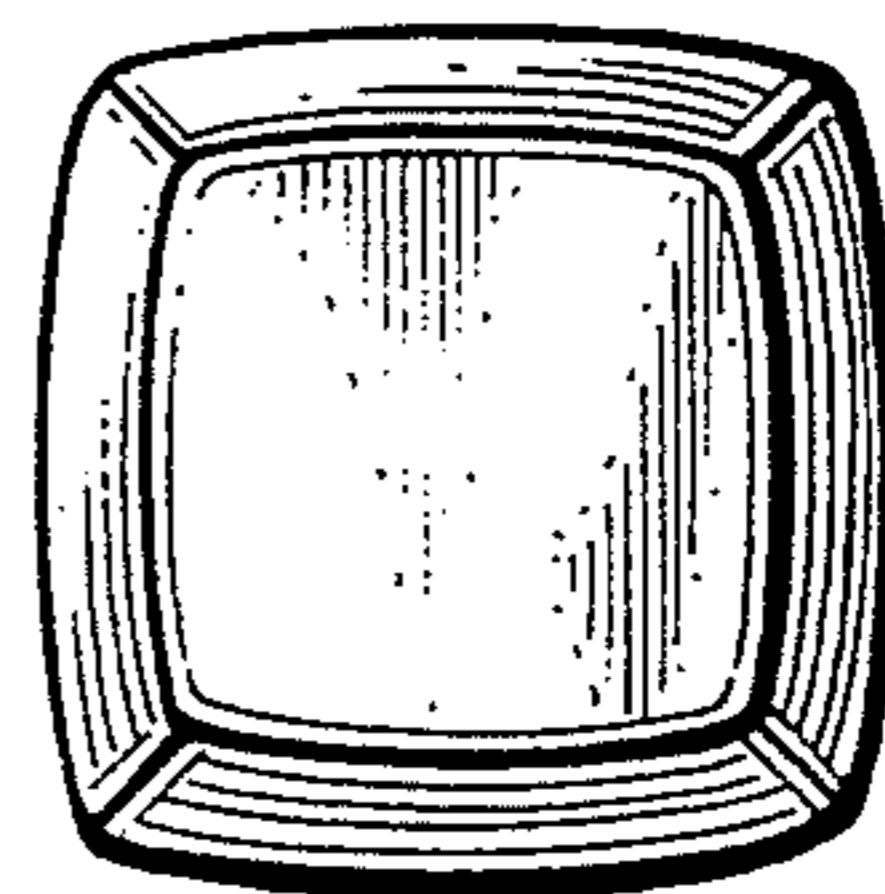


Fig. 4.

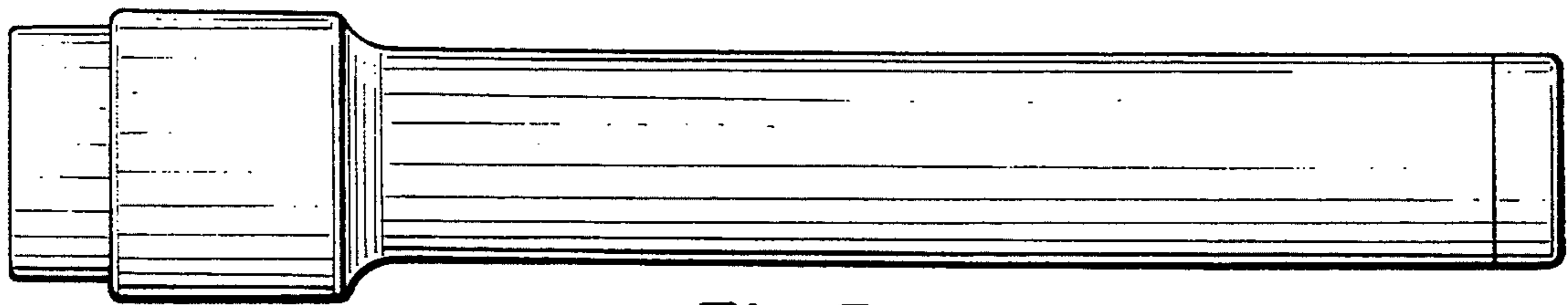


Fig. 3.

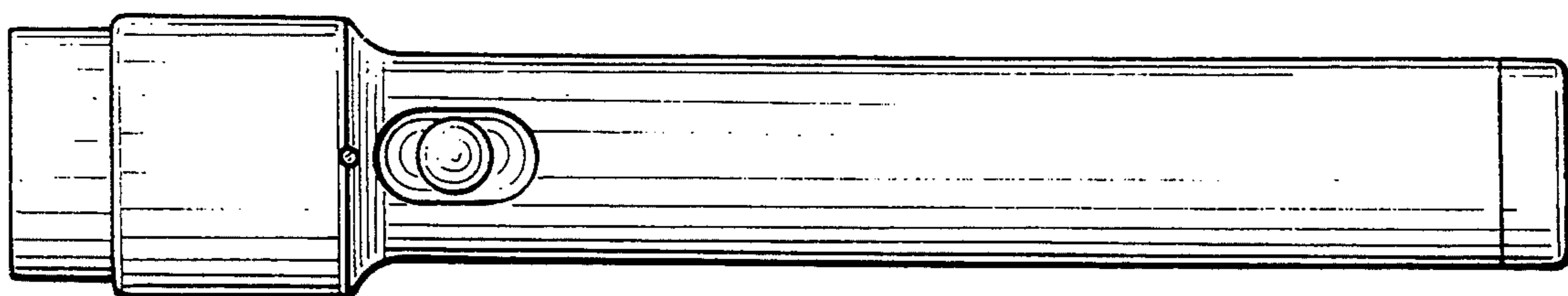


Fig. 5.