



US00D351635S

United States Patent [19]

[11] Patent Number: **Des. 351,635**

Sherman

[45] Date of Patent: **** Oct. 18, 1994**

[54] **BATTING PRACTICE MACHINE**

4,233,953	11/1980	Bash	273/29 A X
4,257,598	3/1981	Massino .	
5,012,790	5/1991	Bates	273/26 D X
5,097,985	3/1992	Jones	273/26 D X
5,265,583	11/1993	Otto	273/26 D X

[76] Inventor: **Gregory Sherman**, 1736 Pomona Dr.,
Las Cruces, N. Mex. 88001

[**] Term: **14 Years**

Primary Examiner—Melvin B. Feifer
Assistant Examiner—Cheri Cohen
Attorney, Agent, or Firm—Terry M. Gernstein

[21] Appl. No.: **9,586**

[22] Filed: **Jun. 18, 1993**

[52] U.S. Cl. **D21/210**

[57] **CLAIM**

[58] Field of Search 273/26 A, 26 D, 26 E,
273/26 EA, 26 R, 29 A, 29 R, 25; D21/199,
210, 211

The ornamental design for a batting practice machine,
as shown and described.

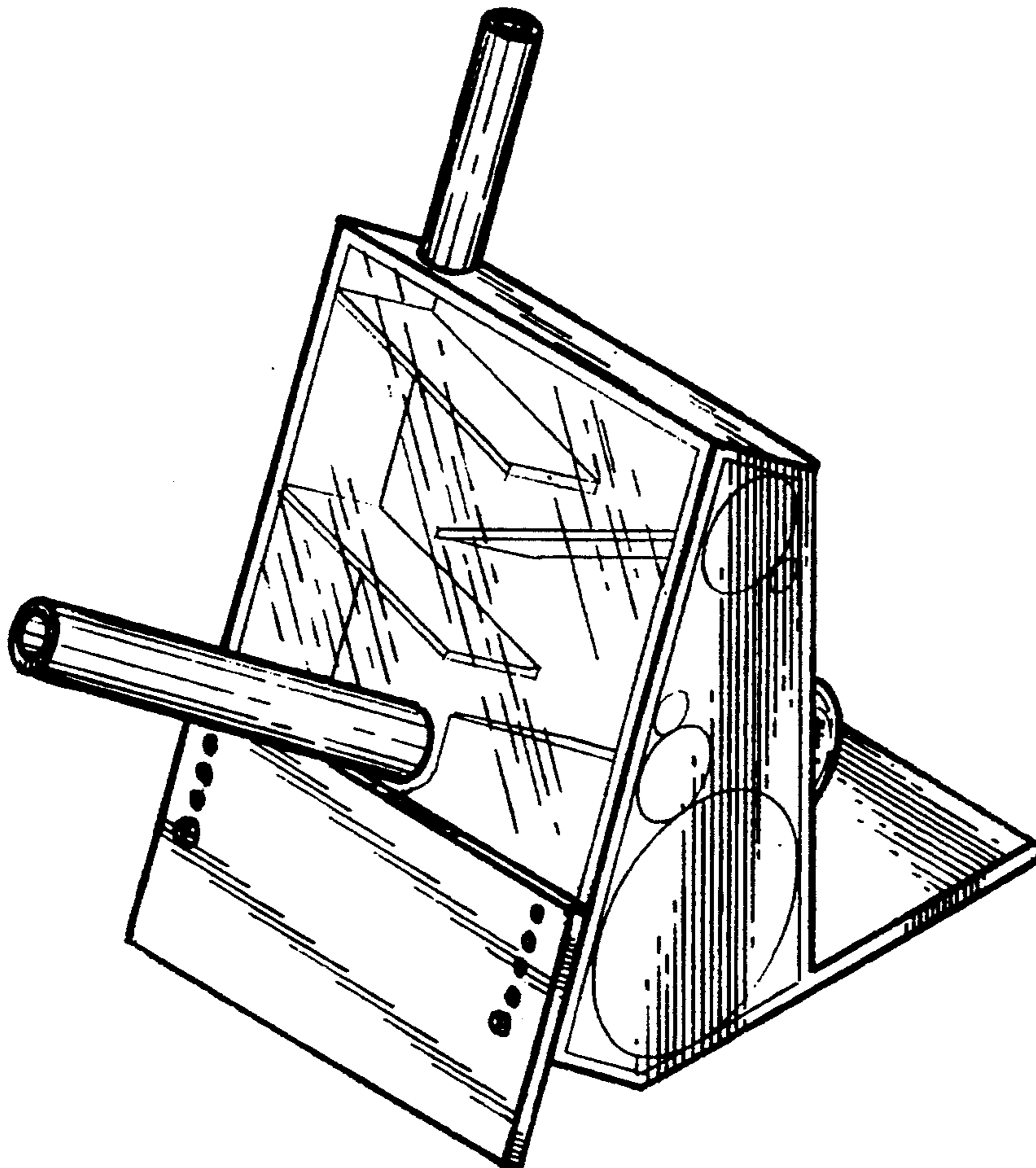
[56] **References Cited**

DESCRIPTION

U.S. PATENT DOCUMENTS

D. 212,769	11/1968	Samuels	D21/210
D. 278,841	5/1985	Giovagnoli	D21/210
3,662,729	5/1972	Henderson .	
3,779,227	12/1973	Scott	273/29 A X
3,915,143	10/1975	Waller .	
4,132,214	1/1979	Schnurr et al.	273/29 A X

FIG. 1 is a front, top and side perspective view of the
batting practice machine showing my new design;
FIG. 2 is a front elevational view thereof;
FIG. 3 is a rear elevational view thereof;
FIG. 4 is a side elevational view thereof, the side oppo-
site being a mirror image of the side shown in FIG. 4;
FIG. 5 is a top plan view thereof; and,
FIG. 6 is a bottom plan view thereof.



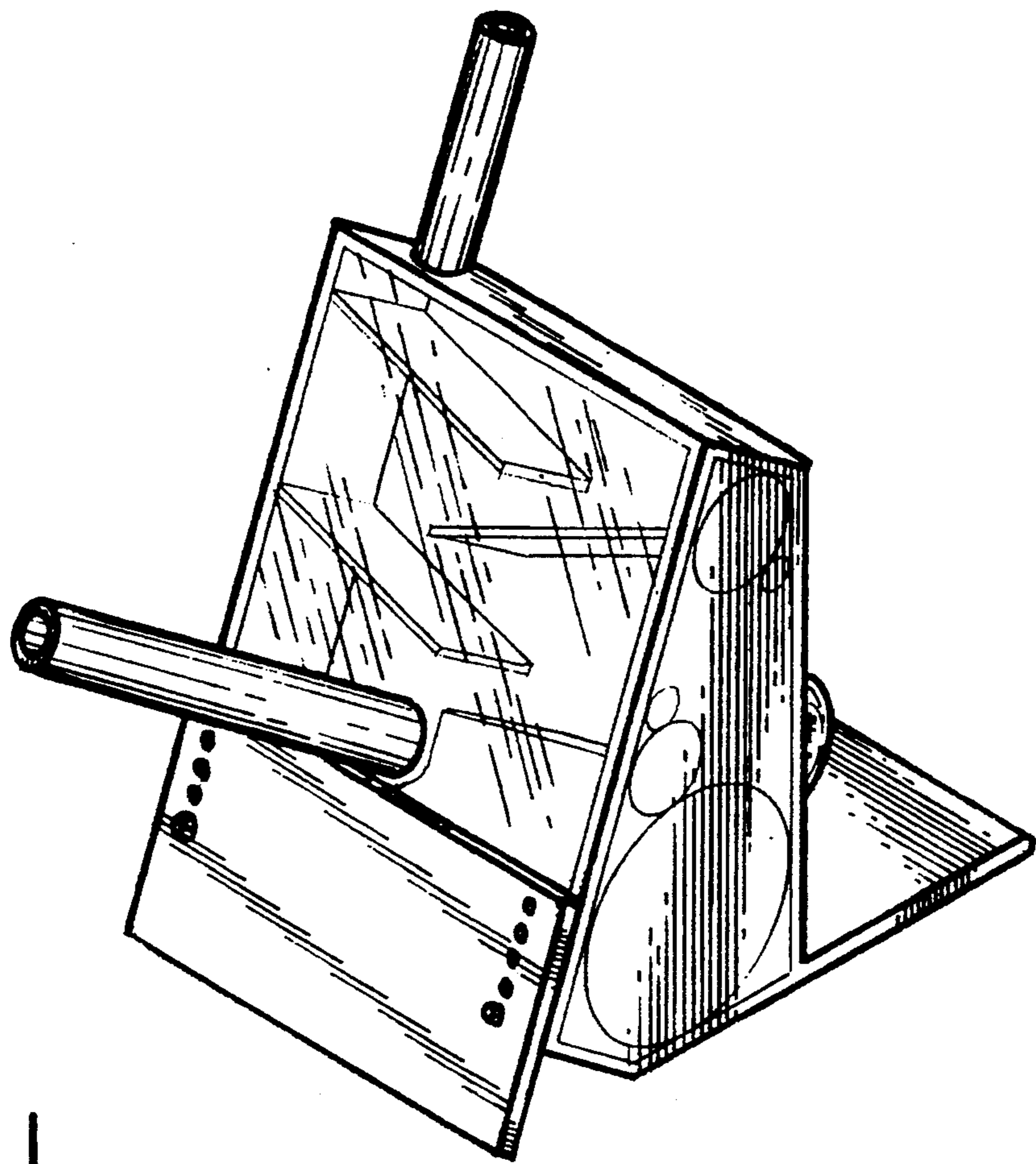


FIG. 1

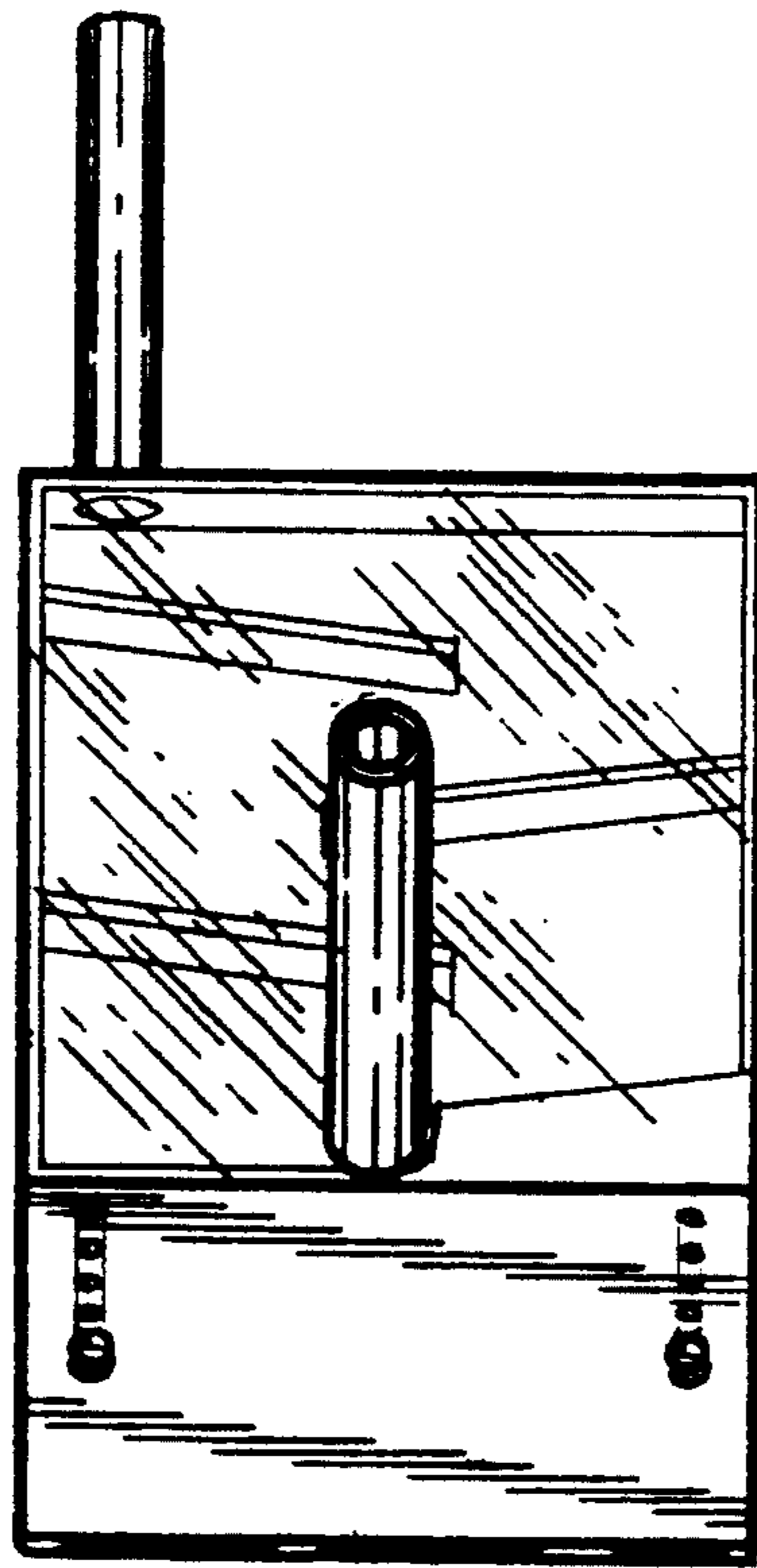


FIG. 2

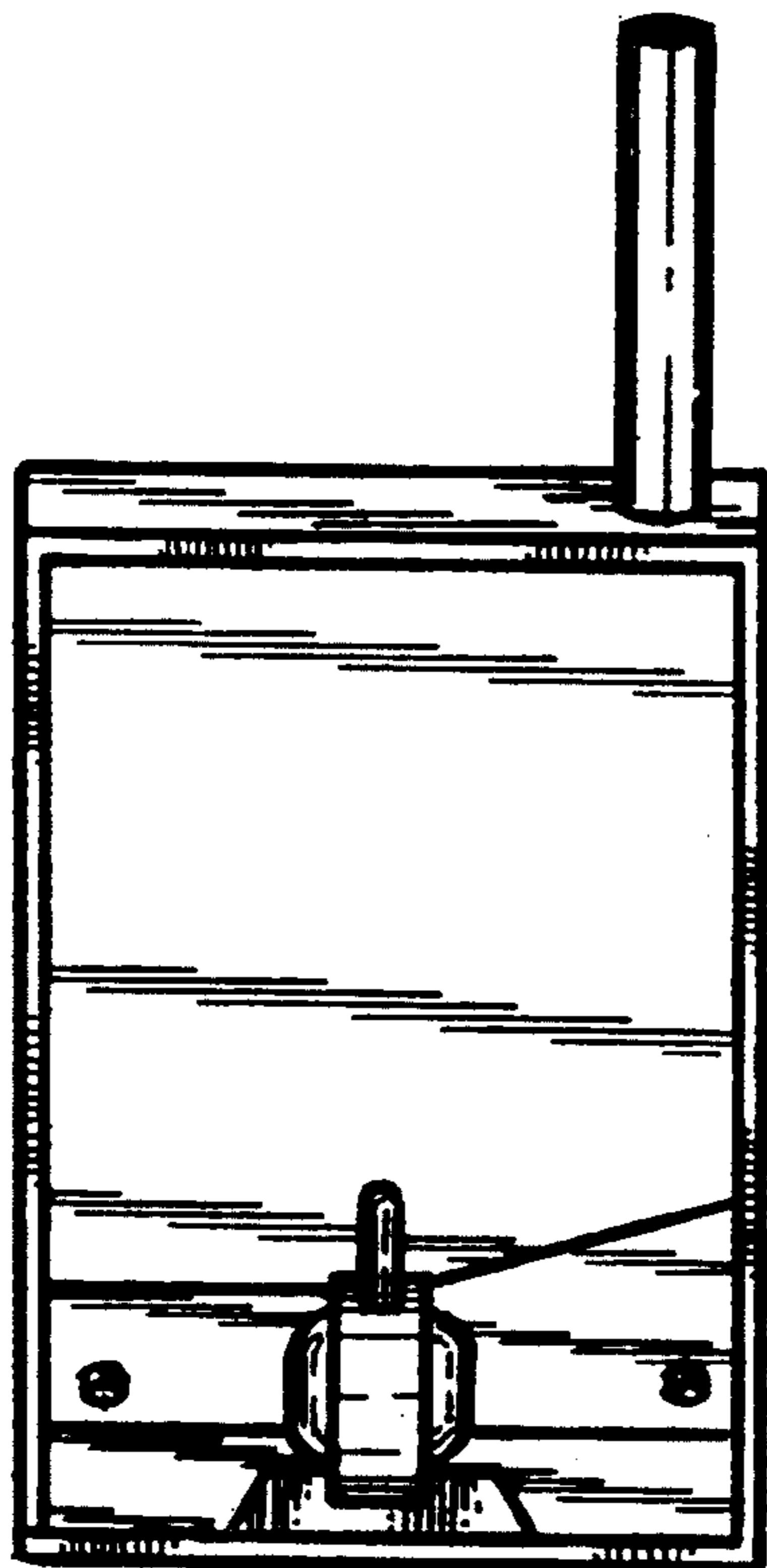


FIG. 3

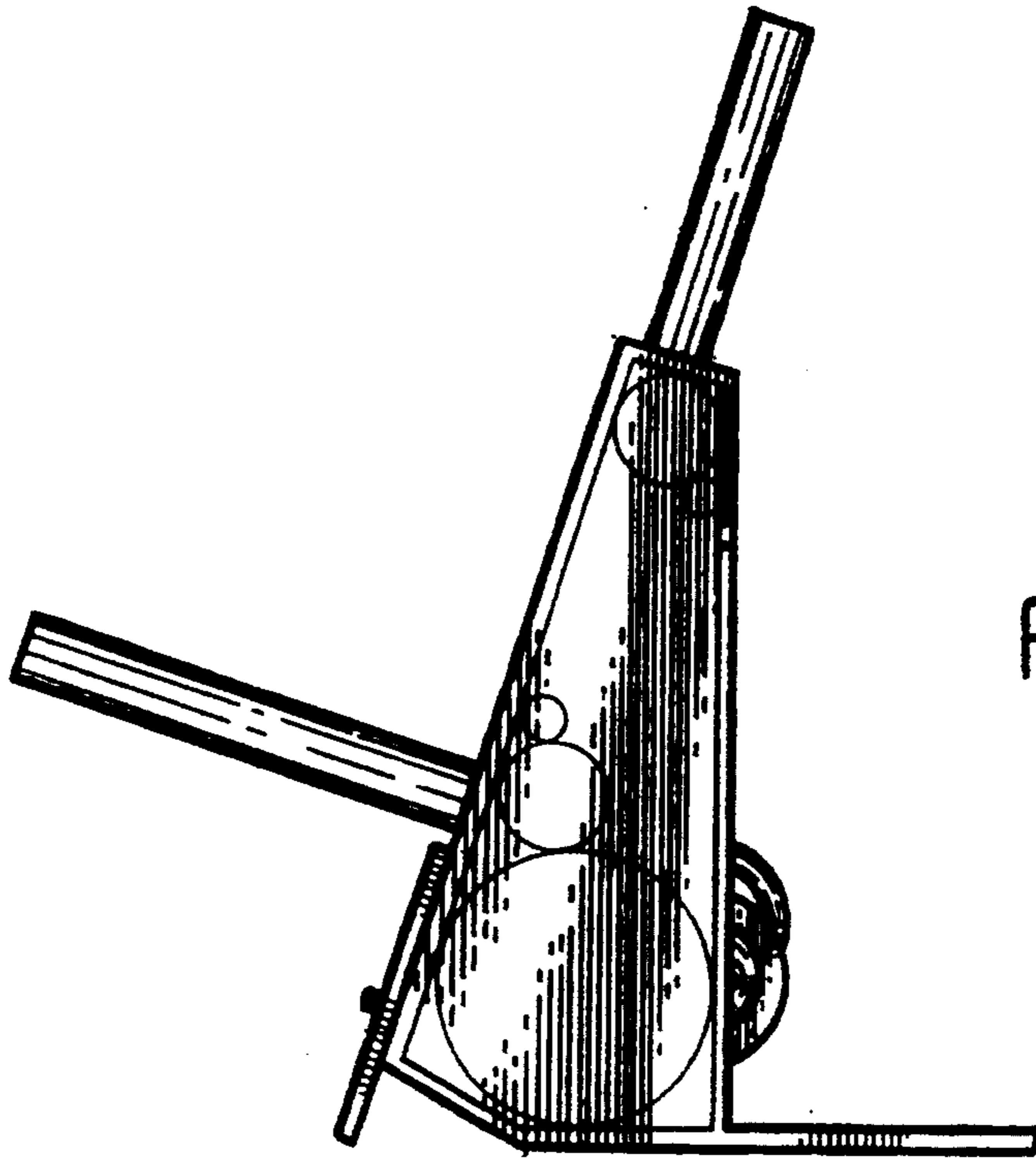


FIG. 4

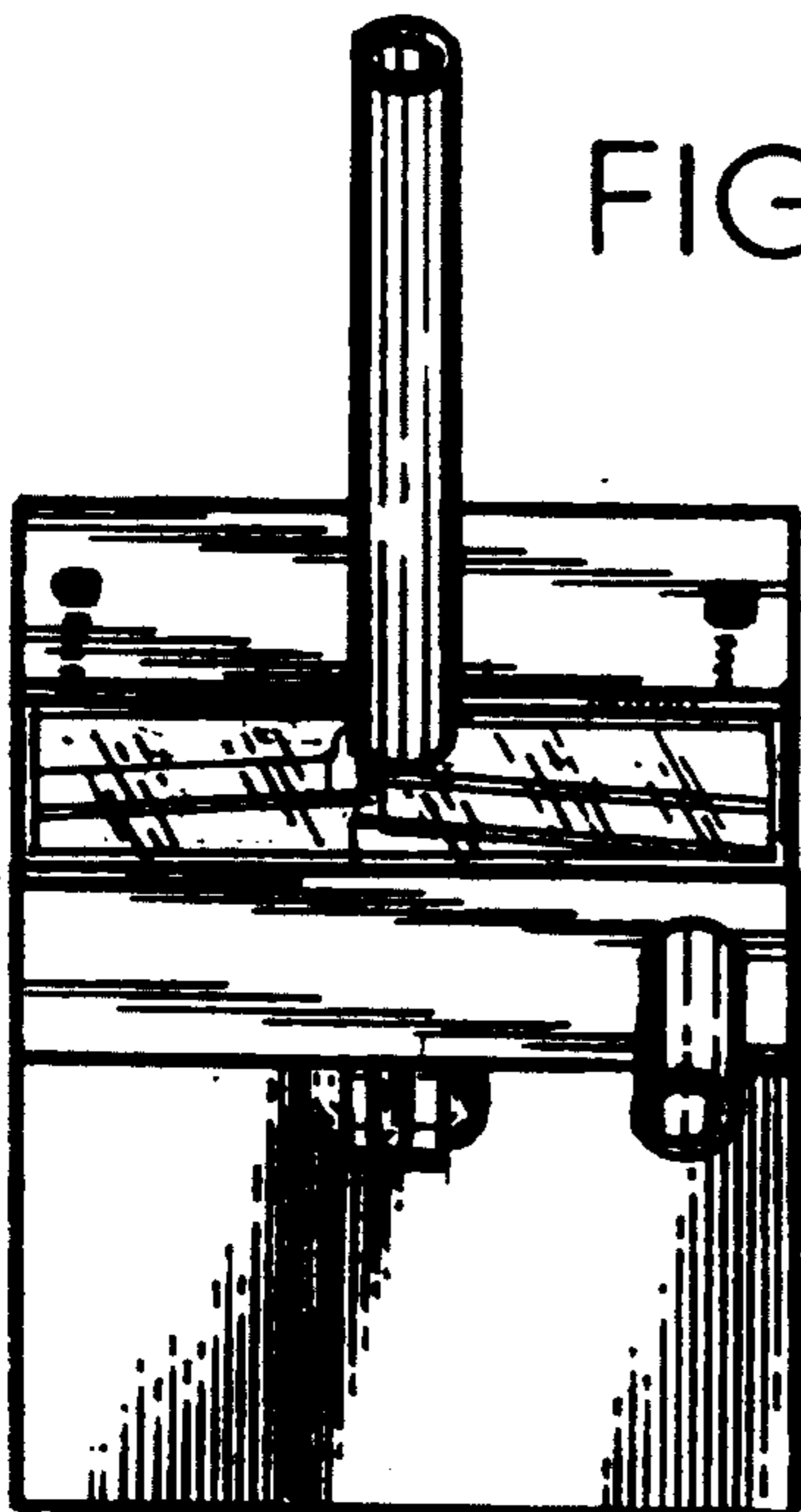


FIG. 5

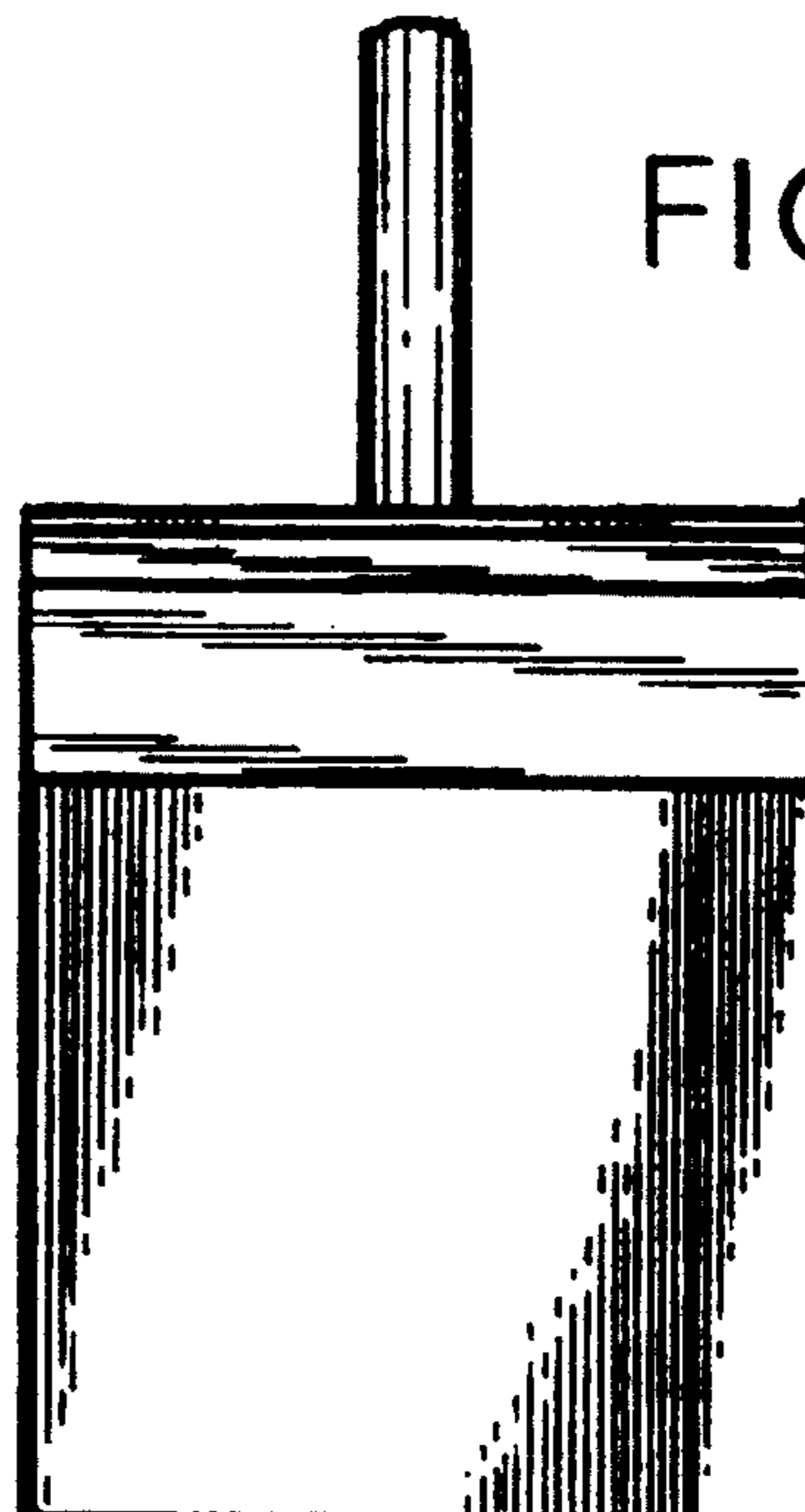


FIG. 6