



US00D351633S

United States Patent [19]

[11] Patent Number: **Des. 351,633**

Bingham

[45] Date of Patent: **** Oct. 18, 1994**

[54] **COMBINED HANDLE AND CONSOLE UNIT FOR AN EXERCISER**

[75] Inventor: **Curt G. Bingham, Salt Lake City, Utah**

[73] Assignee: **Proform Fitness Products, Inc., Logan, Utah**

[**] Term: **14 Years**

[21] Appl. No.: **6,864**

[22] Filed: **Apr. 8, 1993**

[52] U.S. Cl. **D21/191**

[58] Field of Search 482/54, 51, 52, 66, 482/69, 70, 71, 74; D21/191, 192, 195

[56] **References Cited**

U.S. PATENT DOCUMENTS

D. 211,801	7/1968	Quinton	D21/192
D. 270,555	9/1983	Ogden	D21/192
D. 302,837	8/1989	Sherrard	D21/192
D. 303,414	9/1989	Armstrong et al.	D21/192
D. 303,557	9/1989	Kiiski	D21/192
D. 304,849	11/1989	Watterson	D21/192
D. 306,468	3/1990	Watterson	D21/192
D. 306,891	3/1990	Watterson	D21/192
D. 315,765	3/1991	Measom et al.	D21/192
D. 323,198	1/1992	Dalebout et al.	D21/192
D. 323,199	1/1992	Dalebout et al.	D21/192
D. 333,330	2/1993	Clem	D21/192
1,082,940	12/1913	Flora	.	
4,445,683	5/1984	Ogden	482/54

4,502,679	3/1985	De Lorenzo	482/54
4,792,134	12/1988	Chen	482/54
4,842,266	6/1989	Sweeney, Sr. et al.	482/54
5,007,630	4/1991	Real et al.	482/54
5,104,119	4/1992	Lynch	482/54
5,110,117	5/1992	Fisher, et al.	482/54

OTHER PUBLICATIONS

Best Catalog, 91-92, p. 383, Treadmills.
Service Merchandise Catalog, 91-92, p. 487, Treadmills.

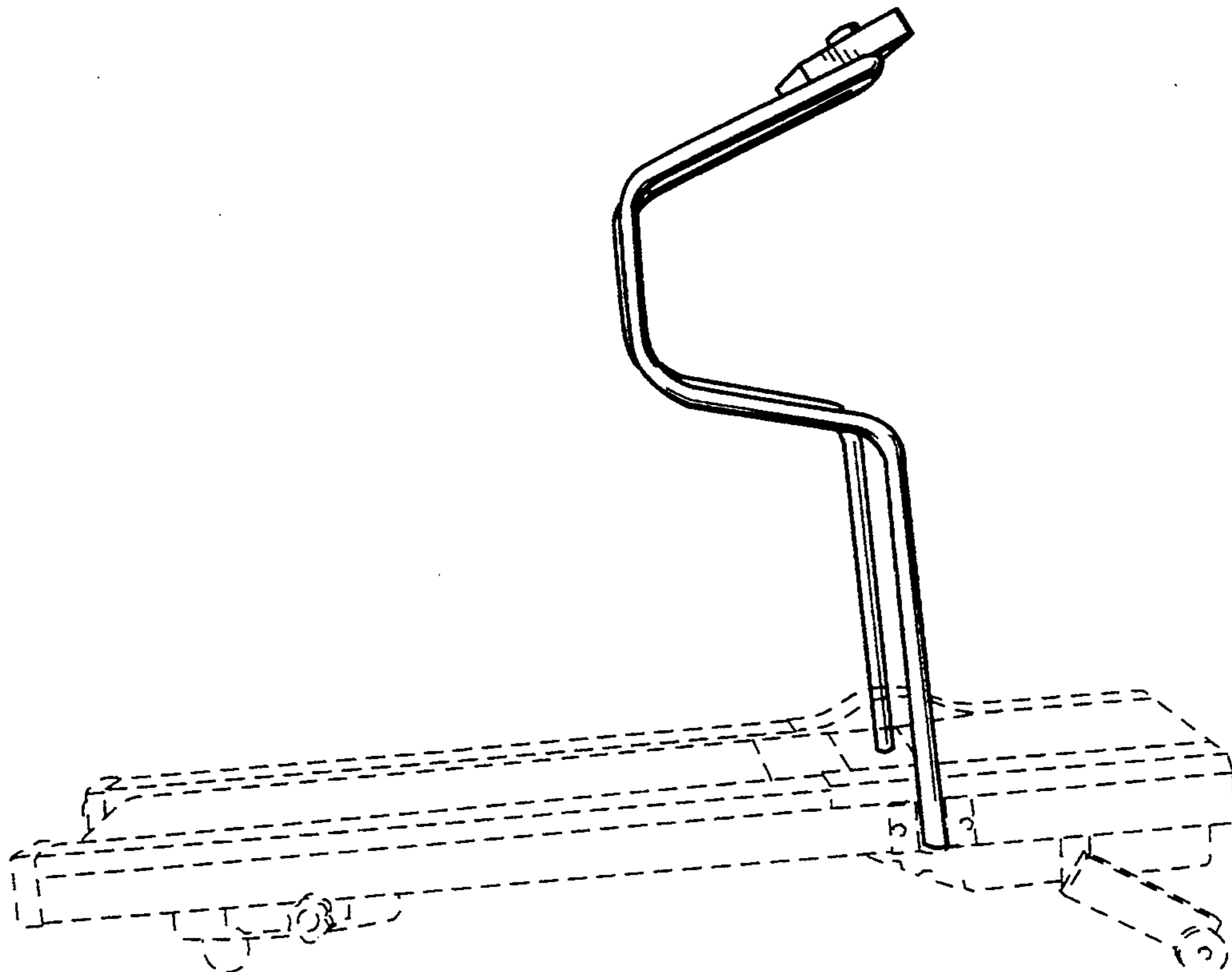
Primary Examiner—Melvin B. Feifer
Assistant Examiner—Philip Hyder
Attorney, Agent, or Firm—Trask, Britt & Rossa

[57] **CLAIM**

The ornamental design for a combined handle and console unit for an exerciser, as shown and described.

DESCRIPTION

FIG. 1 is a perspective view of a combined handle and console unit for an exerciser showing my design thereof;
FIG. 2 is a right side elevational view thereof;
FIG. 3 is a left side elevational view thereof;
FIG. 4 is a front elevational view thereof;
FIG. 5 is a rear elevational view thereof;
FIG. 6 is a top plan view thereof; and,
FIG. 7 is a bottom plan view thereof.
The broken line showing of a treadmill in FIGS. 1-7 is for illustrative purposes only and forms no part of the claimed design.



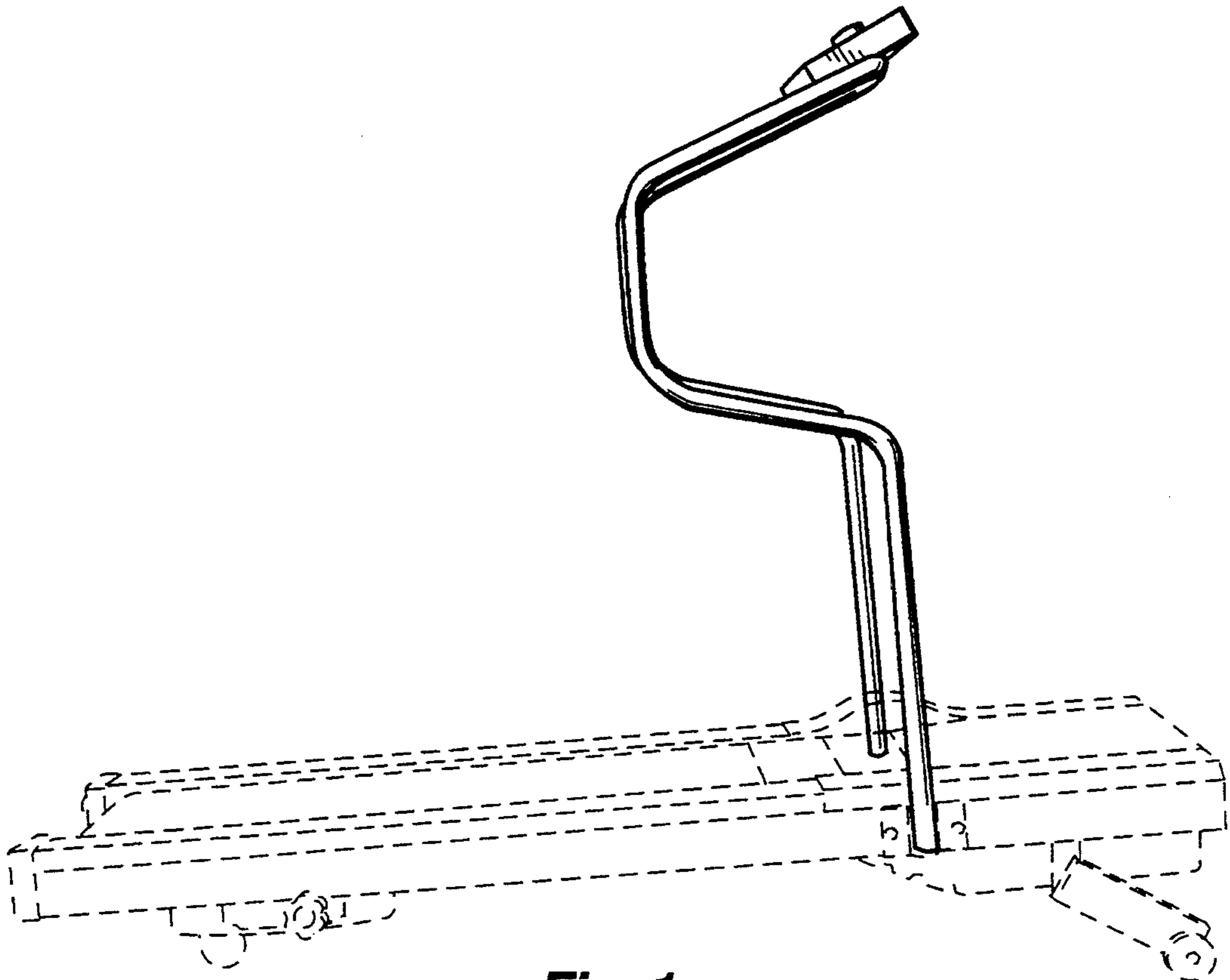


Fig. 1

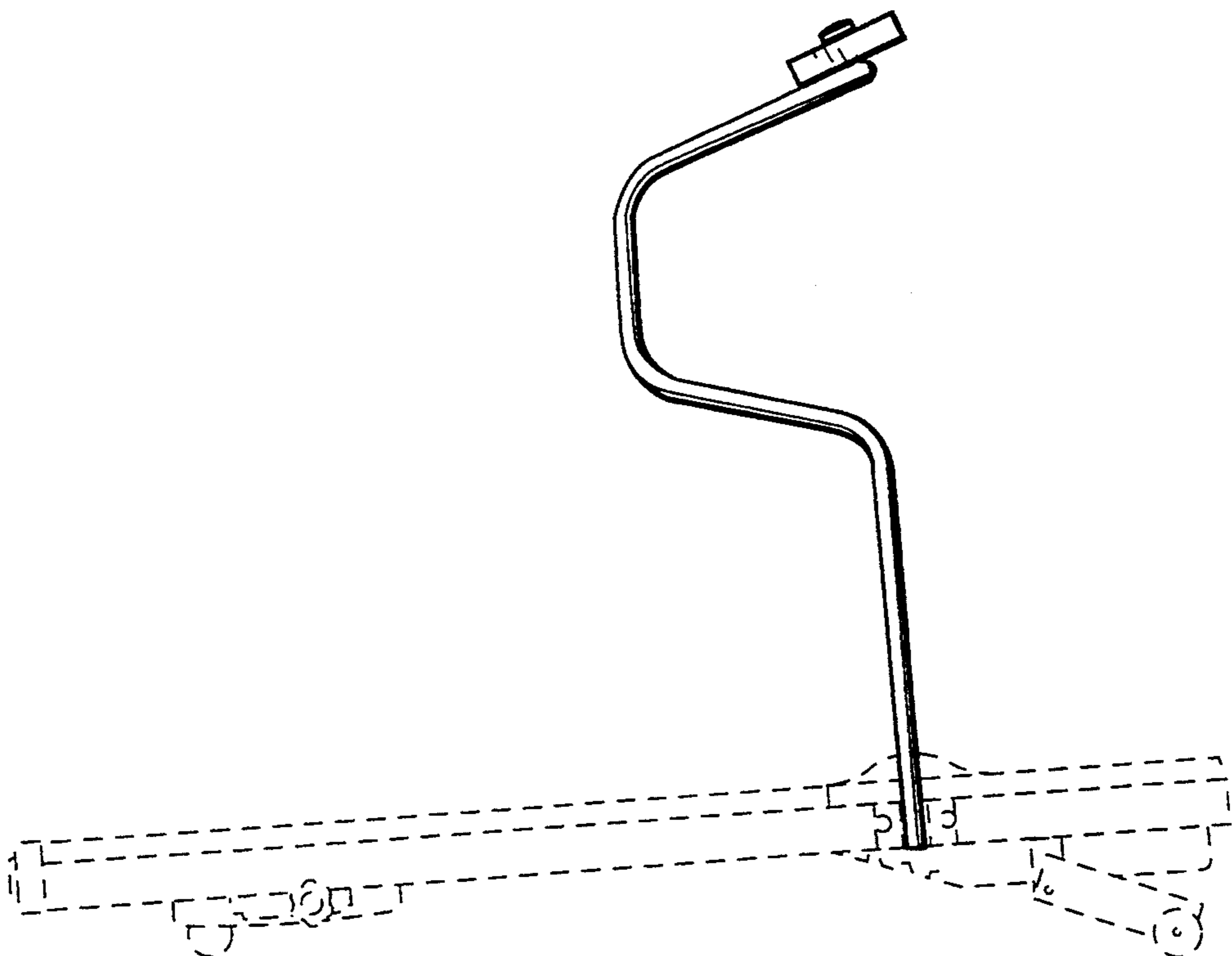


Fig. 2

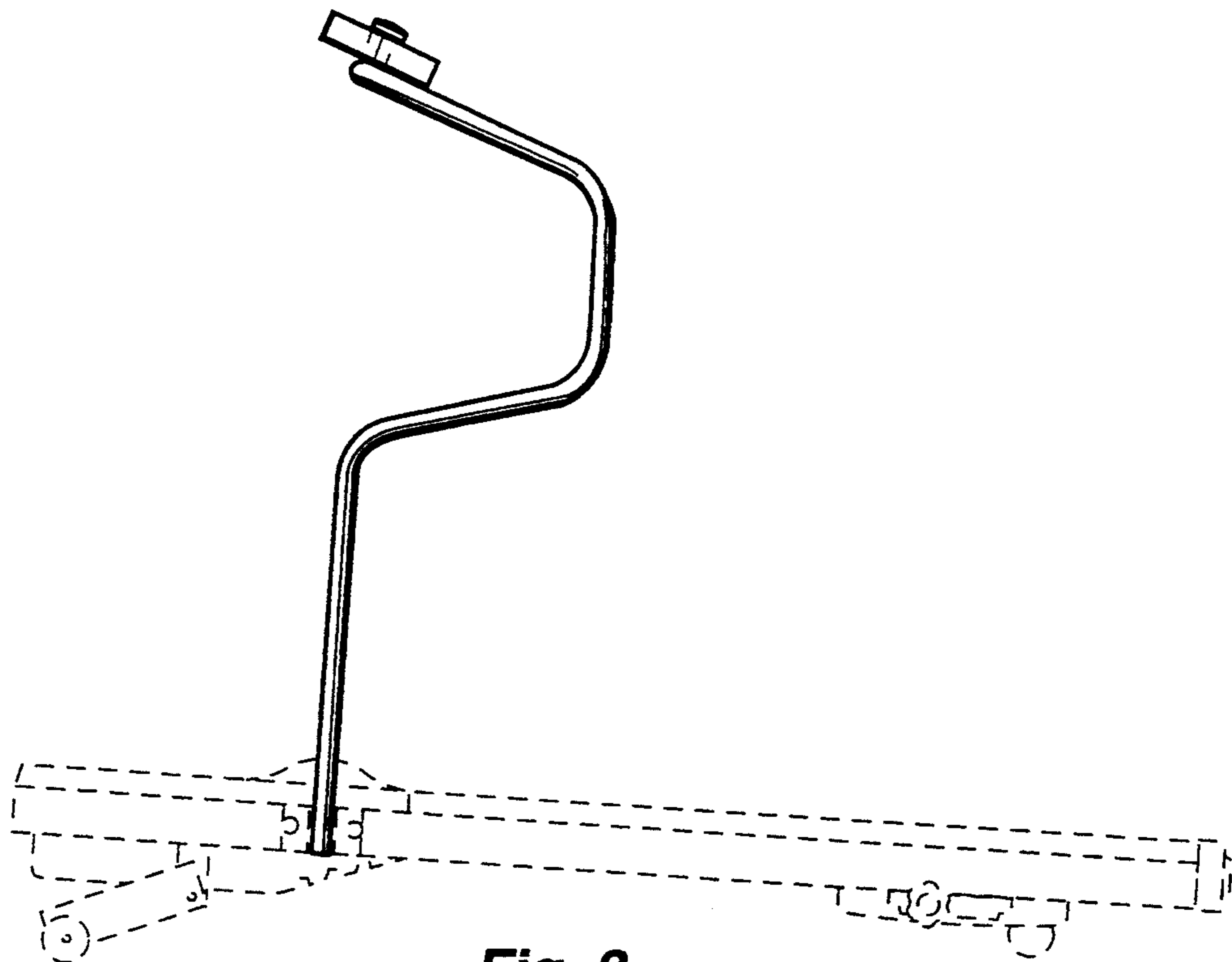


Fig. 3

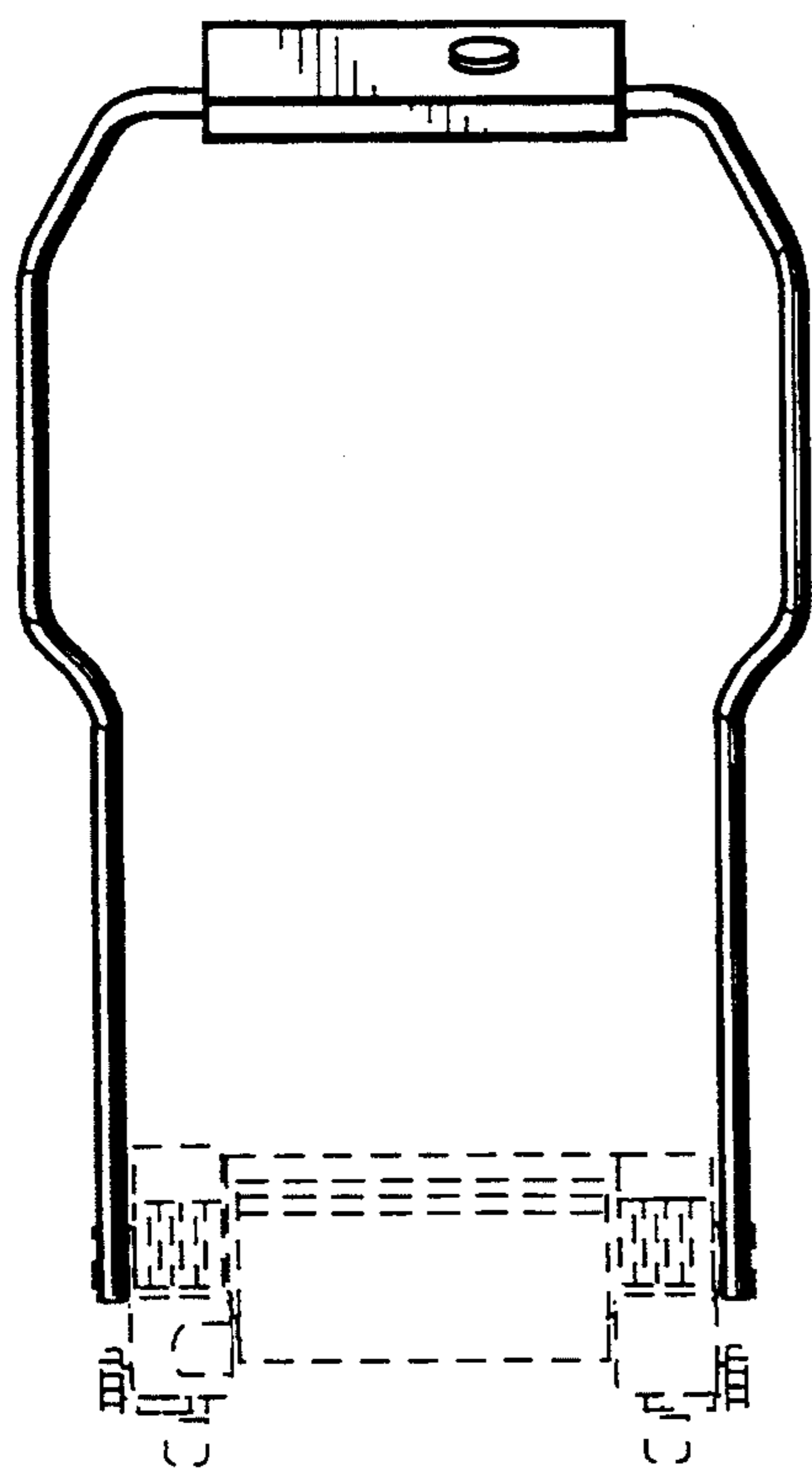


Fig. 4

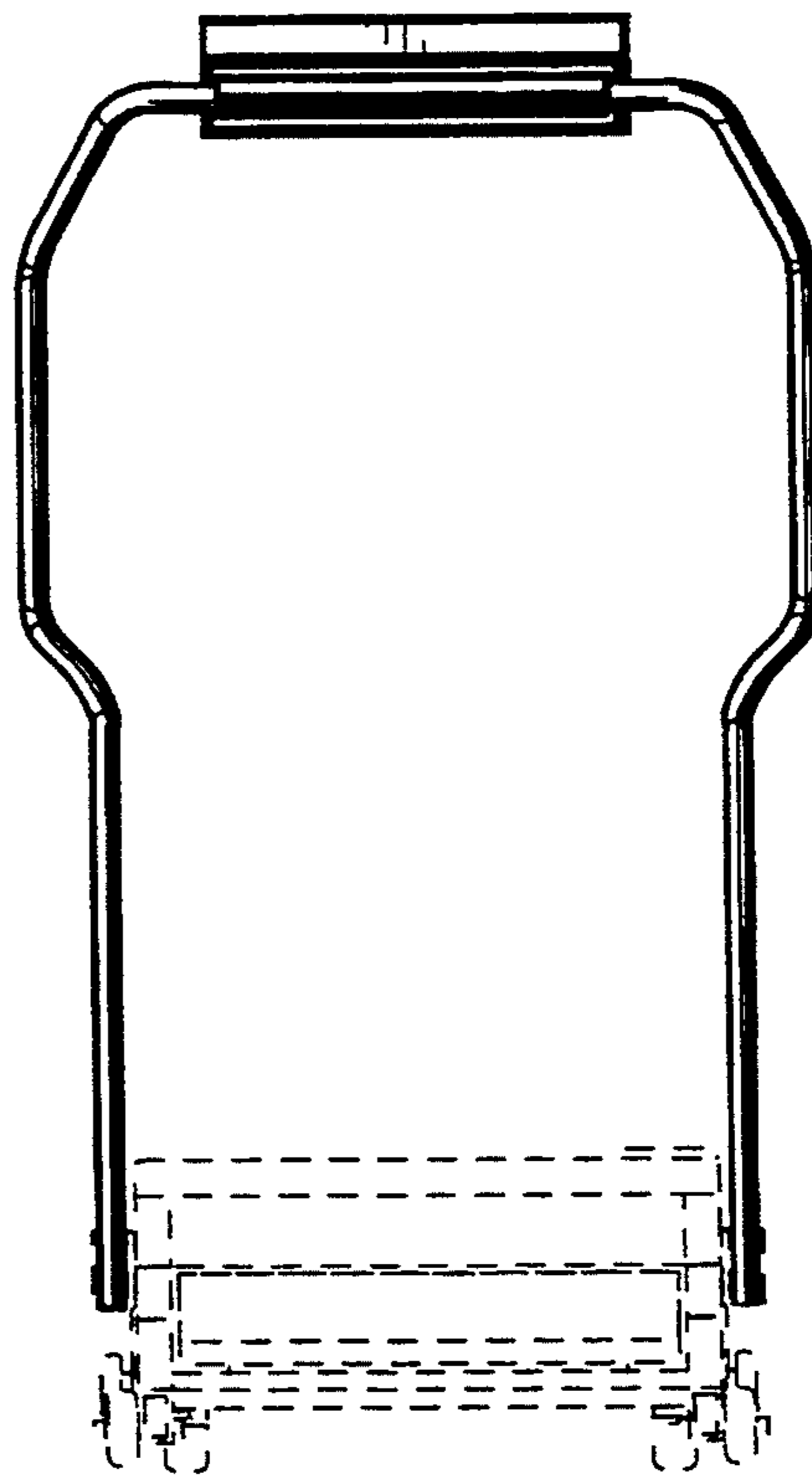


Fig. 5

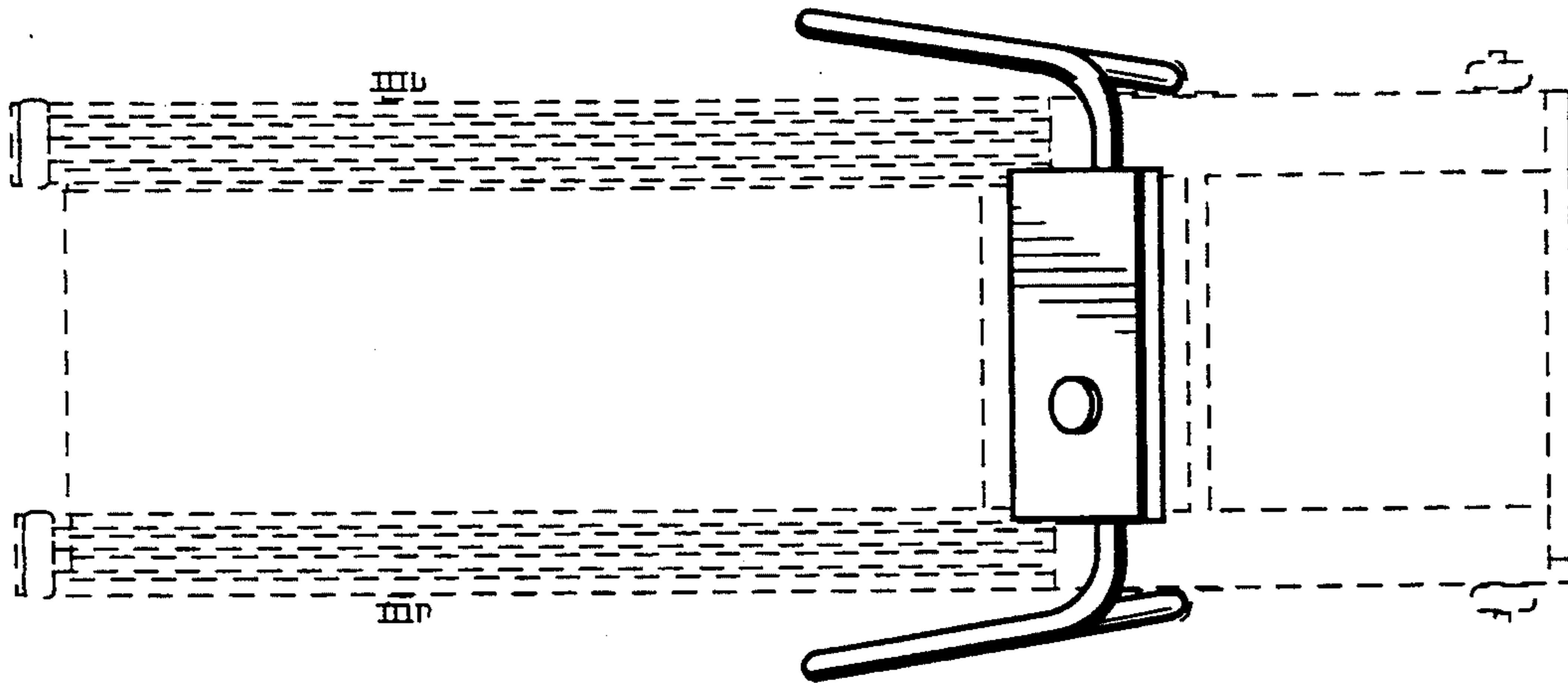


Fig. 6

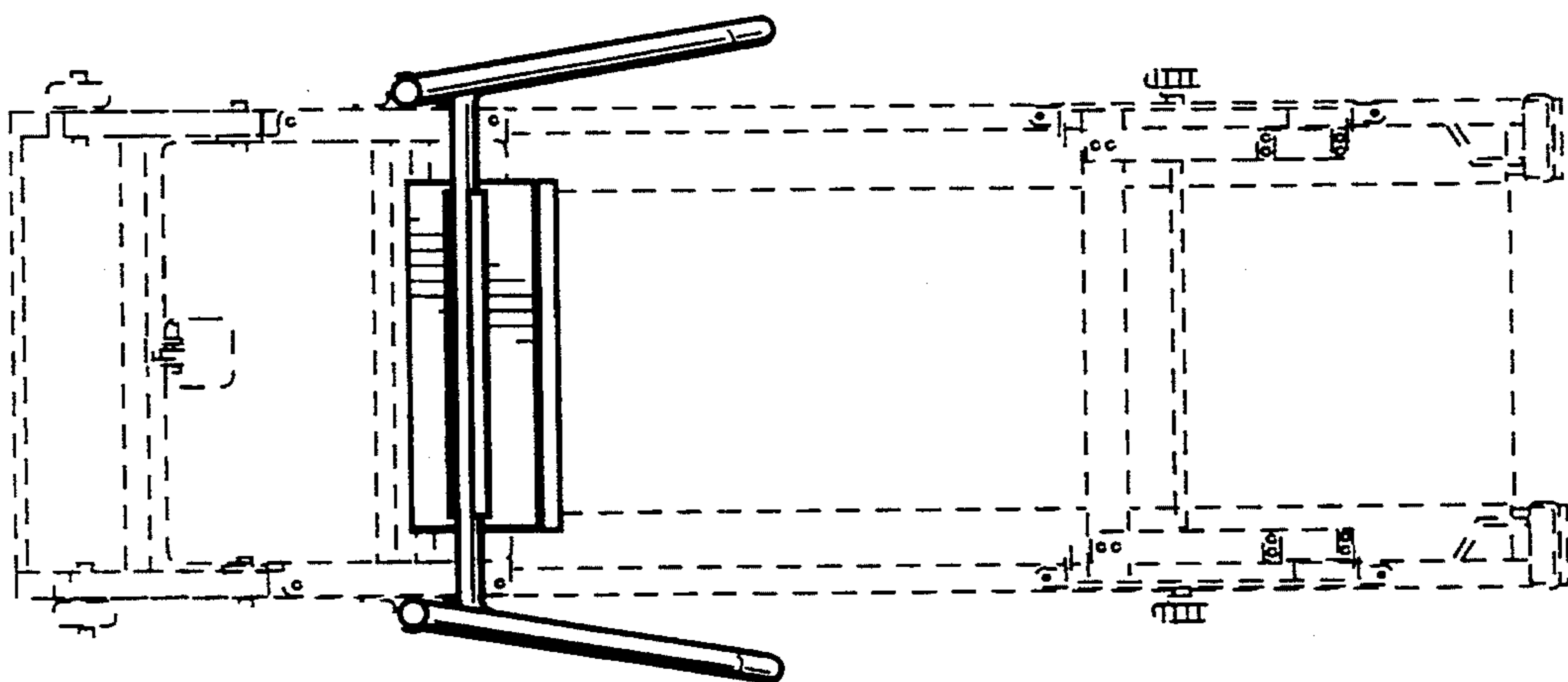


Fig. 7