



US00D351631S

United States Patent [19]

[11] Patent Number: **Des. 351,631**

Thomsen et al.

[45] Date of Patent: **** Oct. 18, 1994**

[54] **TOY TRAILER**

D. 344,305 2/1994 Berggreen D21/141
D. 344,552 2/1994 Berggreen D21/141

[75] Inventors: **Thomas A. Thomsen; Ede F. Ruskai,**
both of Copenhagen, Denmark

Primary Examiner—Bernard Ansher
Assistant Examiner—R. Barkai
Attorney, Agent, or Firm—Kane, Dalsimer, Sullivan,
Kurucz, Levy, Eisele and Richard

[73] Assignee: **Interlego A.G.,** Baar, Switzerland

[**] Term: **14 Years**

[57] **CLAIM**

[21] Appl. No.: **13,300**

The ornamental design for a toy trailer, as shown and described.

[22] Filed: **Sep. 22, 1993**

[52] U.S. Cl. **D21/141; D21/108**

[58] Field of Search 280/87.01, 87.021, 47.38;
446/128, 434, 468, 29, 451, 96, 93, 94, 211;
D21/141, 74, 71, 76, 78, 80, 108, 133, 134, 135,
136, 137, 140, 148

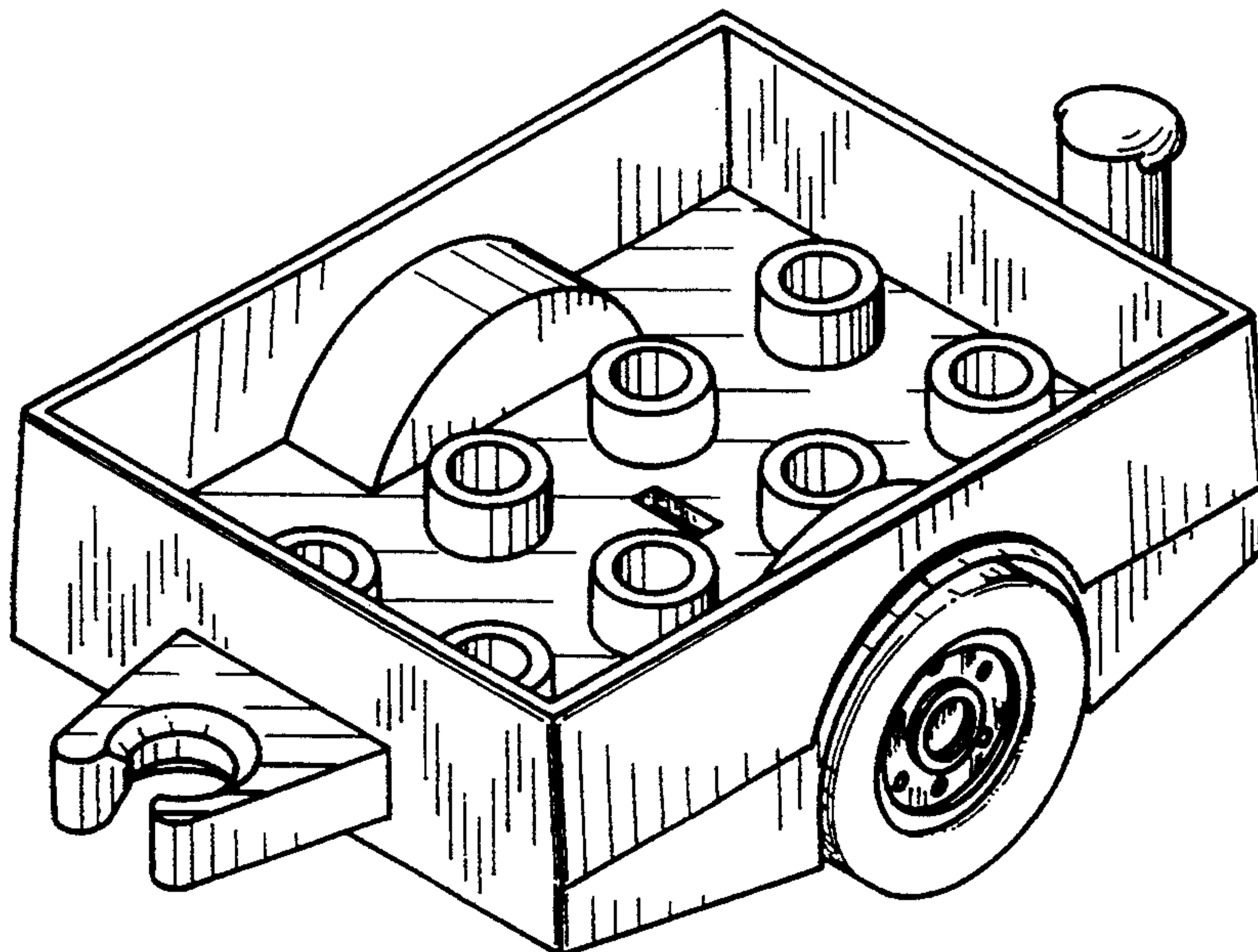
DESCRIPTION

FIG. 1 is a top perspective view of the toy trailer showing our new design;
FIG. 2 is a bottom perspective view thereof;
FIG. 3 is a right side elevational view thereof;
FIG. 4 is a front elevational view thereof;
FIG. 5 is a left side elevational view thereof;
FIG. 6 is a rear elevational view thereof;
FIG. 7 is a top plan view thereof; and,
FIG. 8 is a bottom plan view thereof.

[56] **References Cited**

U.S. PATENT DOCUMENTS

D. 298,765 11/1988 Pearson D21/141
D. 313,634 1/1991 Weiland D21/141
D. 325,052 3/1992 Andersen D21/108



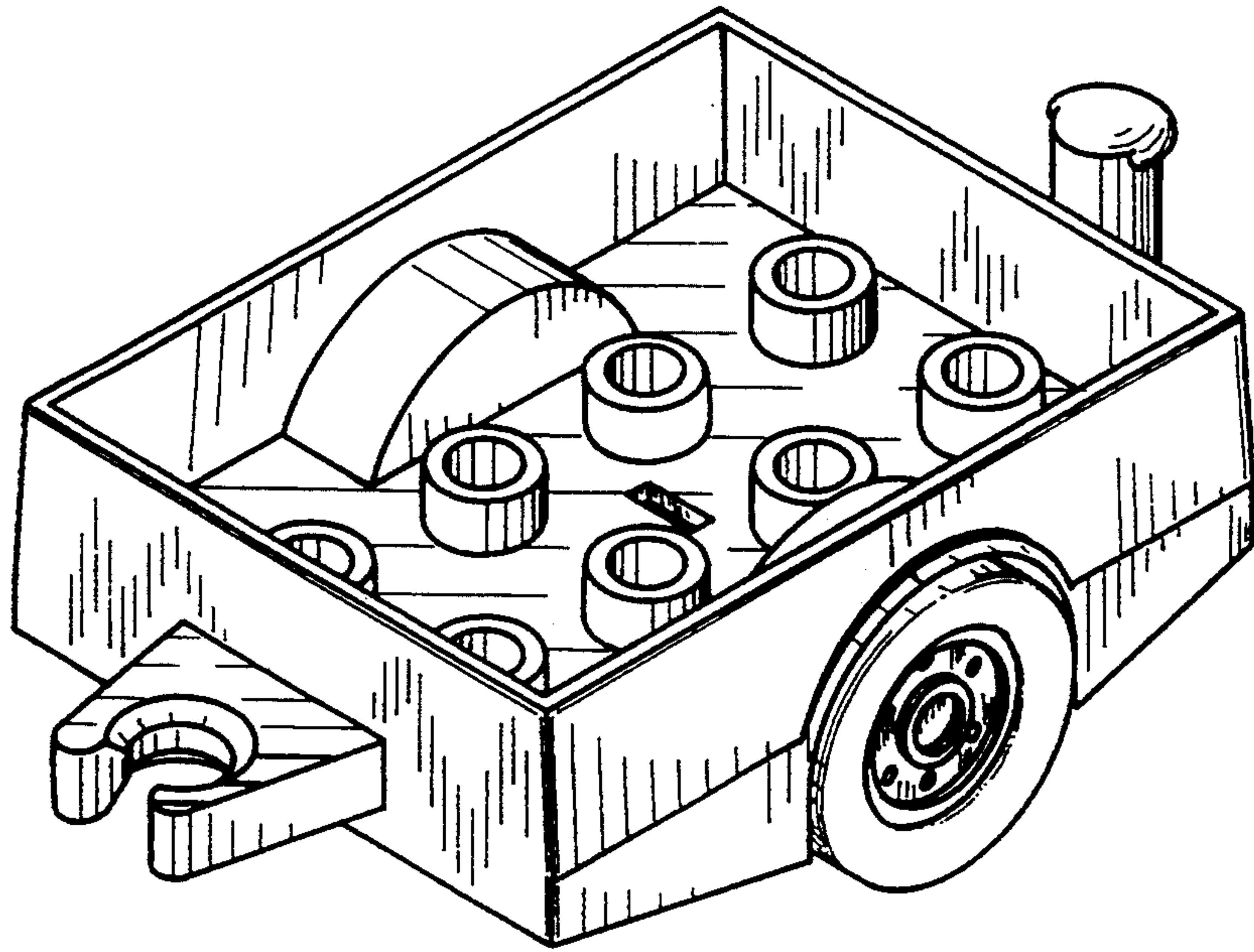


FIG. 1

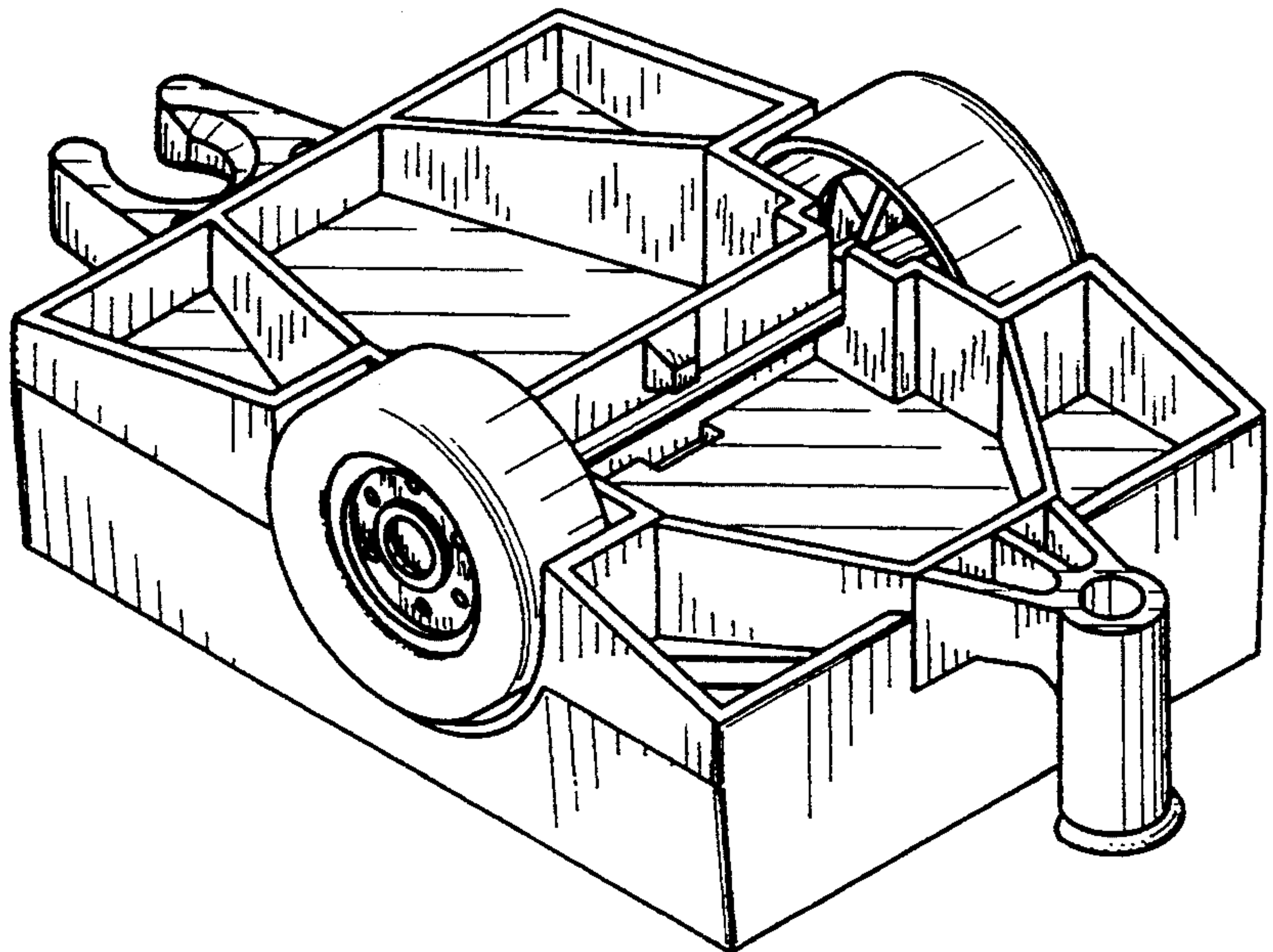


FIG. 2

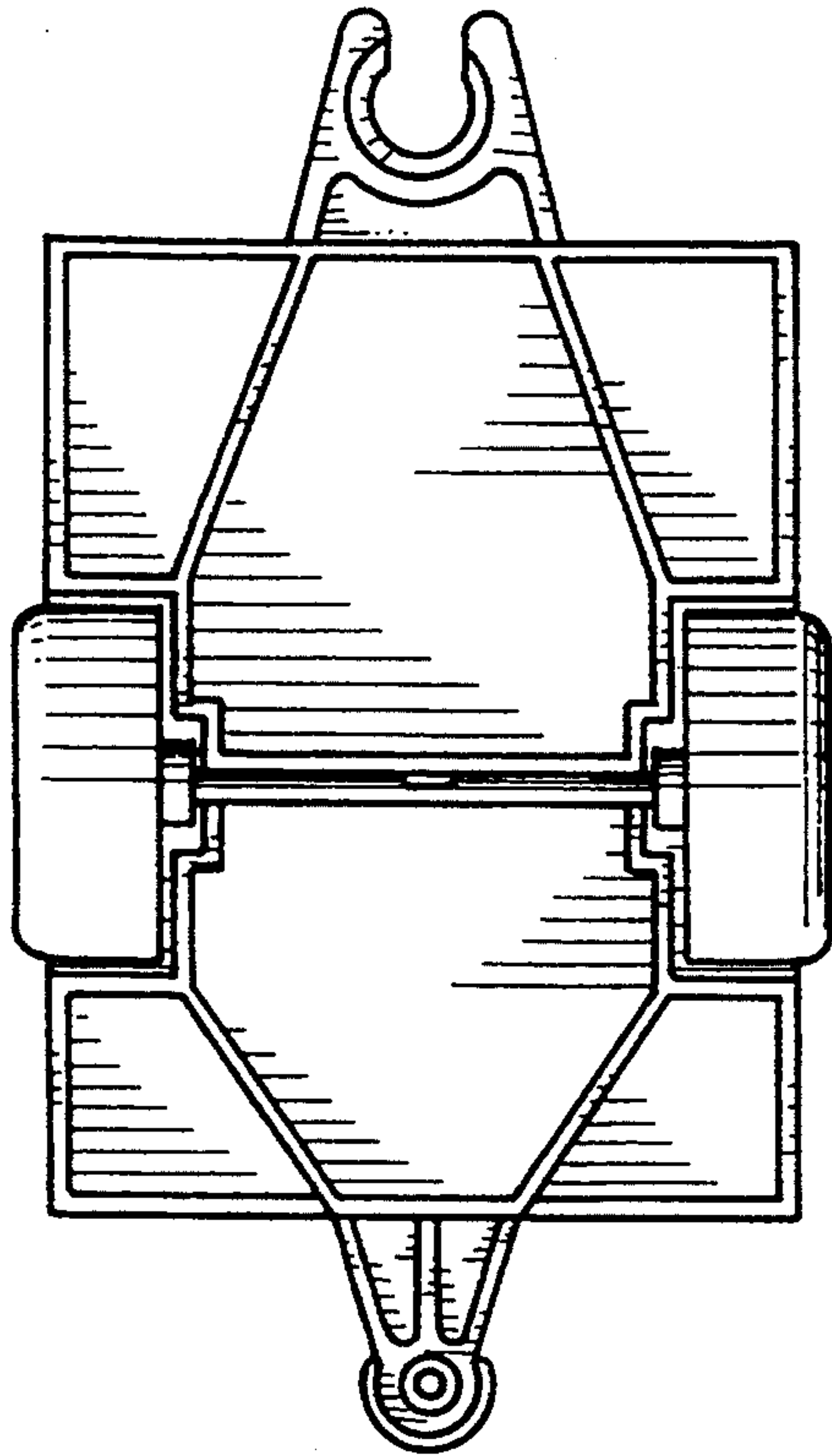


FIG. 8

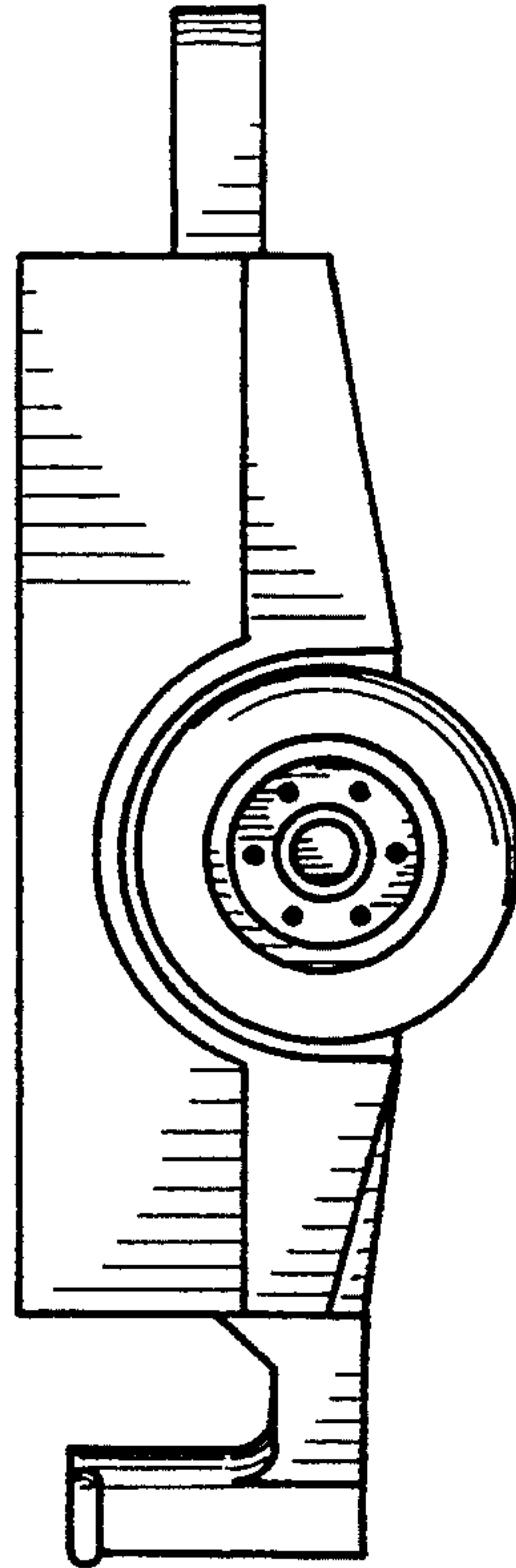


FIG. 3

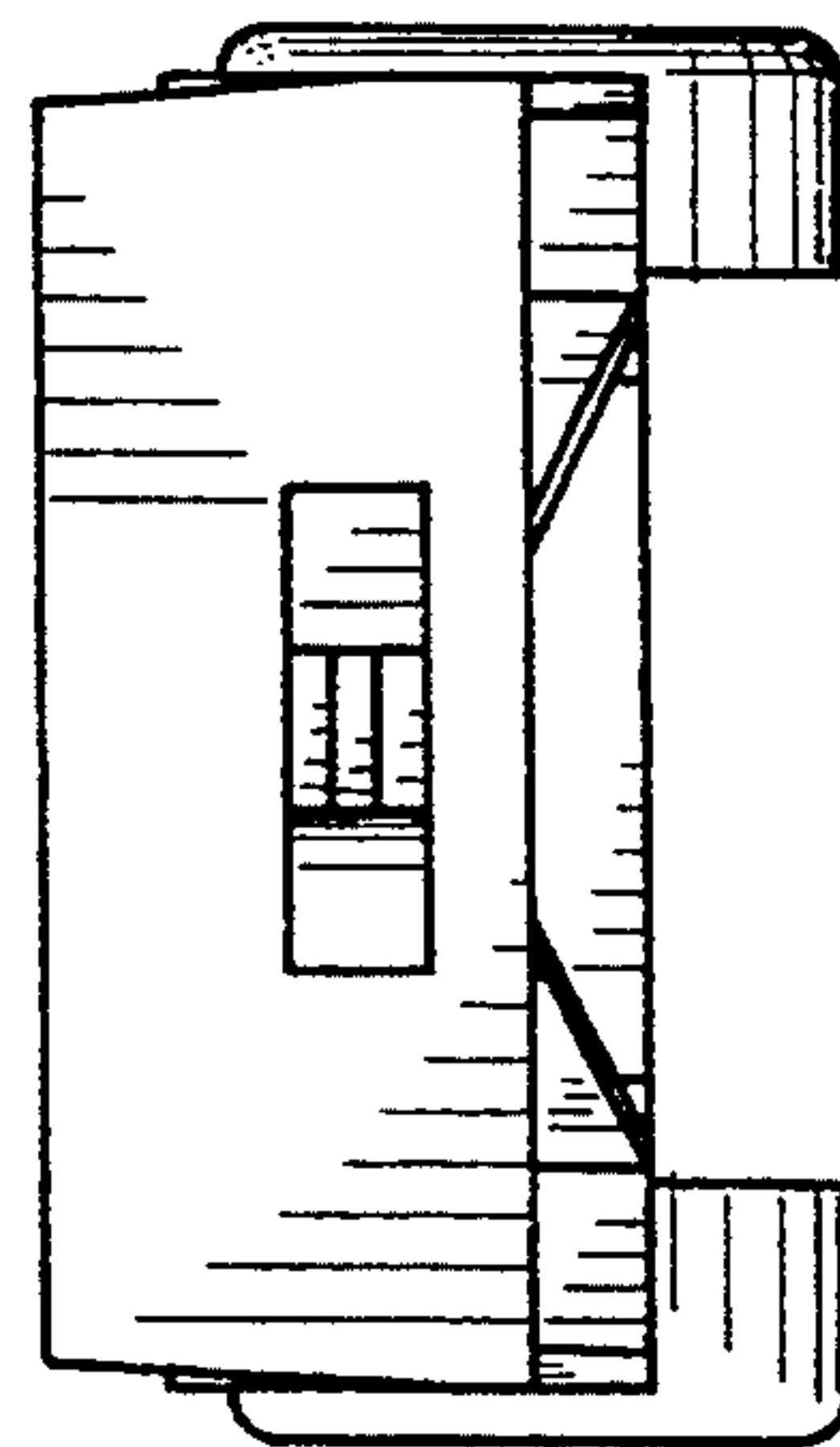


FIG. 4

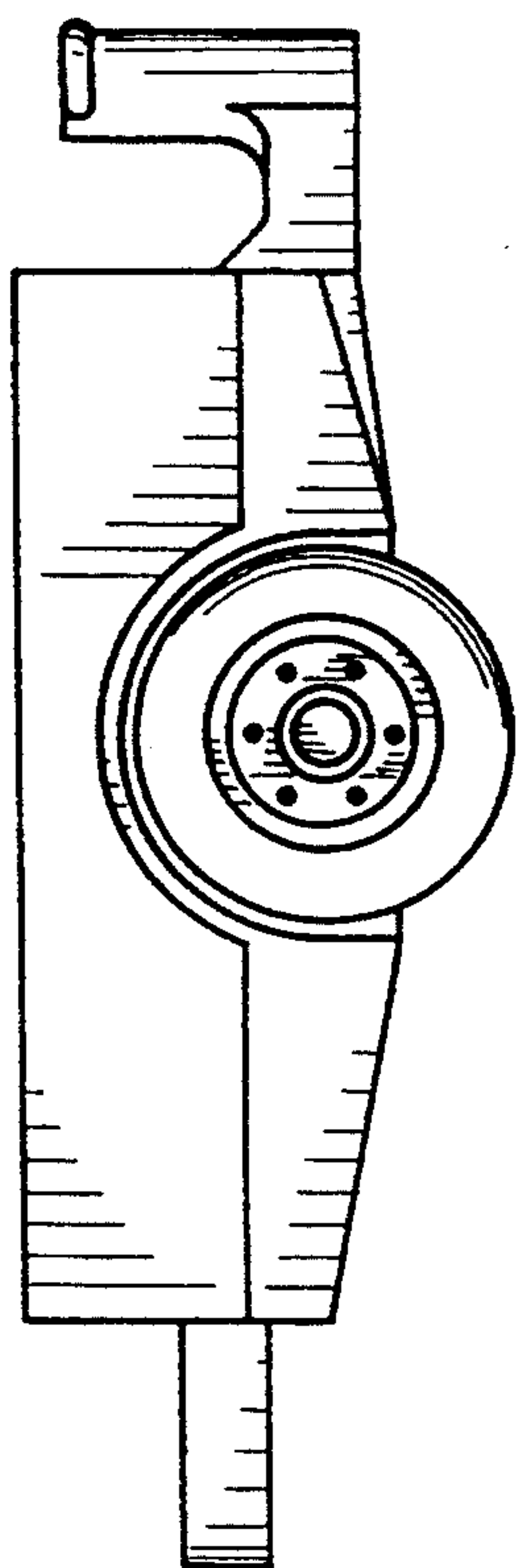


FIG. 5

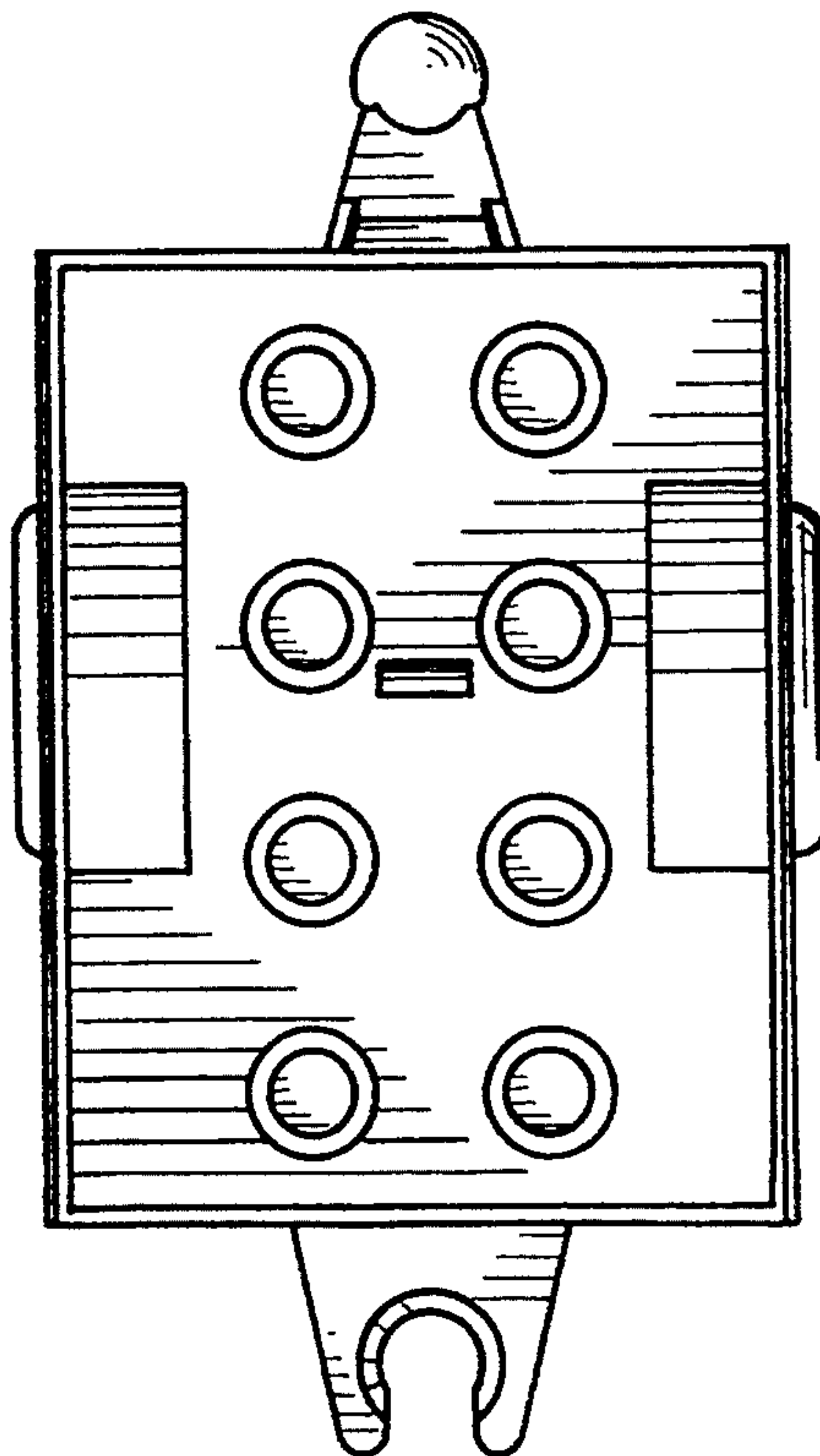


FIG. 7

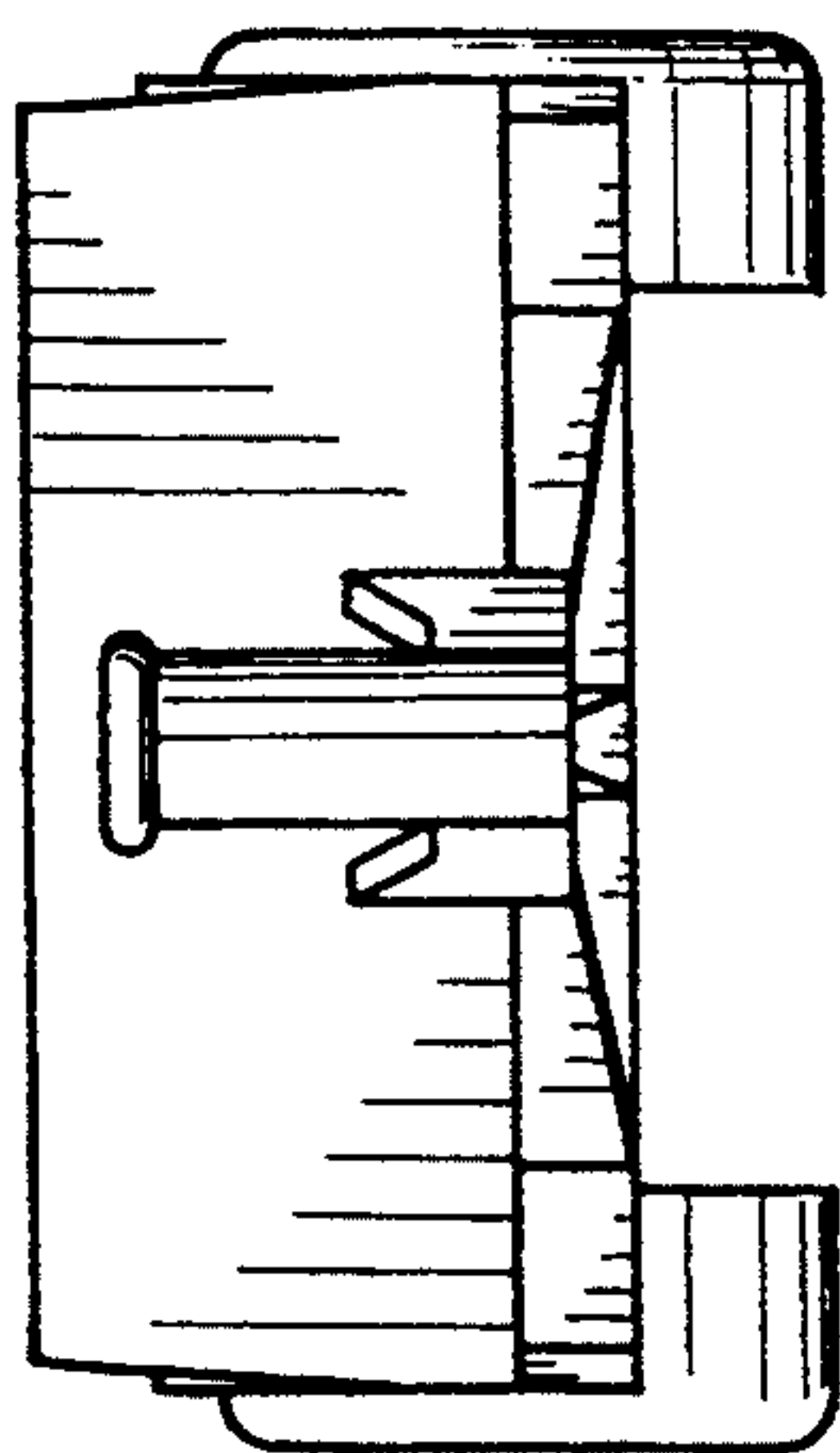


FIG. 6