



US00D351630S

# United States Patent [19]

Jensen et al.

[11] Patent Number: **Des. 351,630**

[45] Date of Patent: **\*\* Oct. 18, 1994**

[54] TOY CAR

[75] Inventors: **Arne E. Jensen**, Gentofte; **Thomas A. Thomsen**, Copenhagen, both of Denmark

[73] Assignee: **Interlego A.G.**, Baar, Switzerland

[\*\*] Term: **14 Years**

[21] Appl. No.: **13,310**

[22] Filed: **Sep. 22, 1993**

[52] U.S. Cl. .... **D21/134**

[58] Field of Search ..... 446/29, 93-94, 446/96, 128, 211, 434, 451, 468; 280/87.01, 87.04, 47.38, 1.206, 1.207, 1.23, 1.13; D21/71, 74, 76, 78, 80, 128, 133-137, 140, 141, 148

[56] **References Cited**

**U.S. PATENT DOCUMENTS**

- D. 281,987 12/1985 Catelli ..... D21/140
- D. 295,772 5/1988 Kwan ..... D21/140
- D. 310,695 9/1990 Kushner ..... D21/140

- D. 314,998 2/1991 Berggreen ..... D21/134
- D. 315,931 4/1991 Berggreen ..... D21/128
- D. 318,080 7/1991 Berggreen ..... D21/128
- 4,284,279 8/1981 Mori ..... 446/444

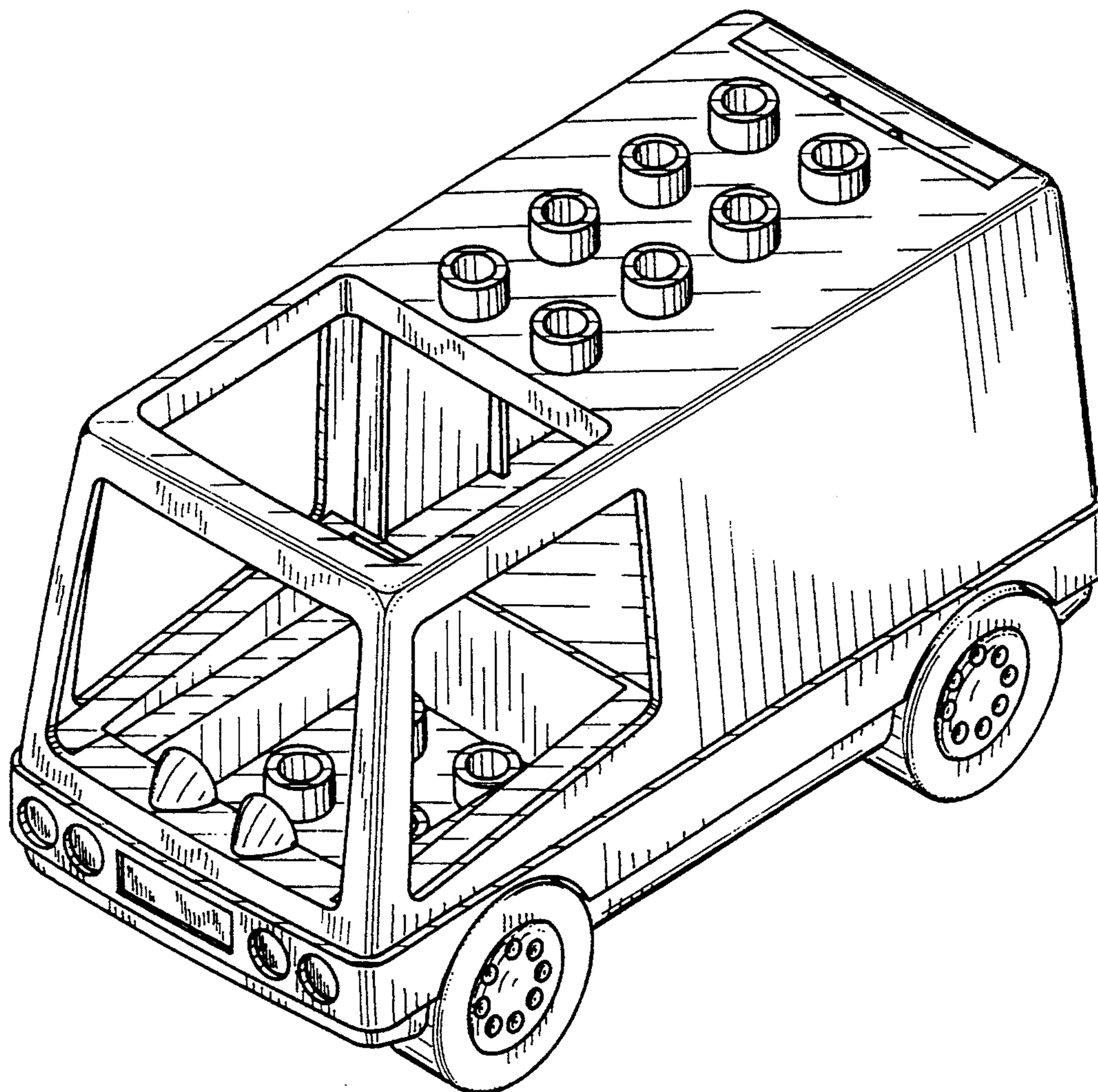
*Primary Examiner*—Bernard Ansher  
*Assistant Examiner*—R. Barkai  
*Attorney, Agent, or Firm*—Kane, Dalsimer, Sullivan, Kurucz, Levy, Eisele and Richard

[57] **CLAIM**

The ornamental design for a toy car, as shown and described.

**DESCRIPTION**

FIG. 1 is a top perspective view of the toy car showing our new design;  
FIG. 2 is a bottom perspective view thereof;  
FIG. 3 is a right side elevational view thereof;  
FIG. 4 is a front elevational view thereof;  
FIG. 5 is a left side elevational view thereof;  
FIG. 6 is a rear elevational view thereof;  
FIG. 7 is a top plan view thereof; and,  
FIG. 8 is a bottom plan view thereof.



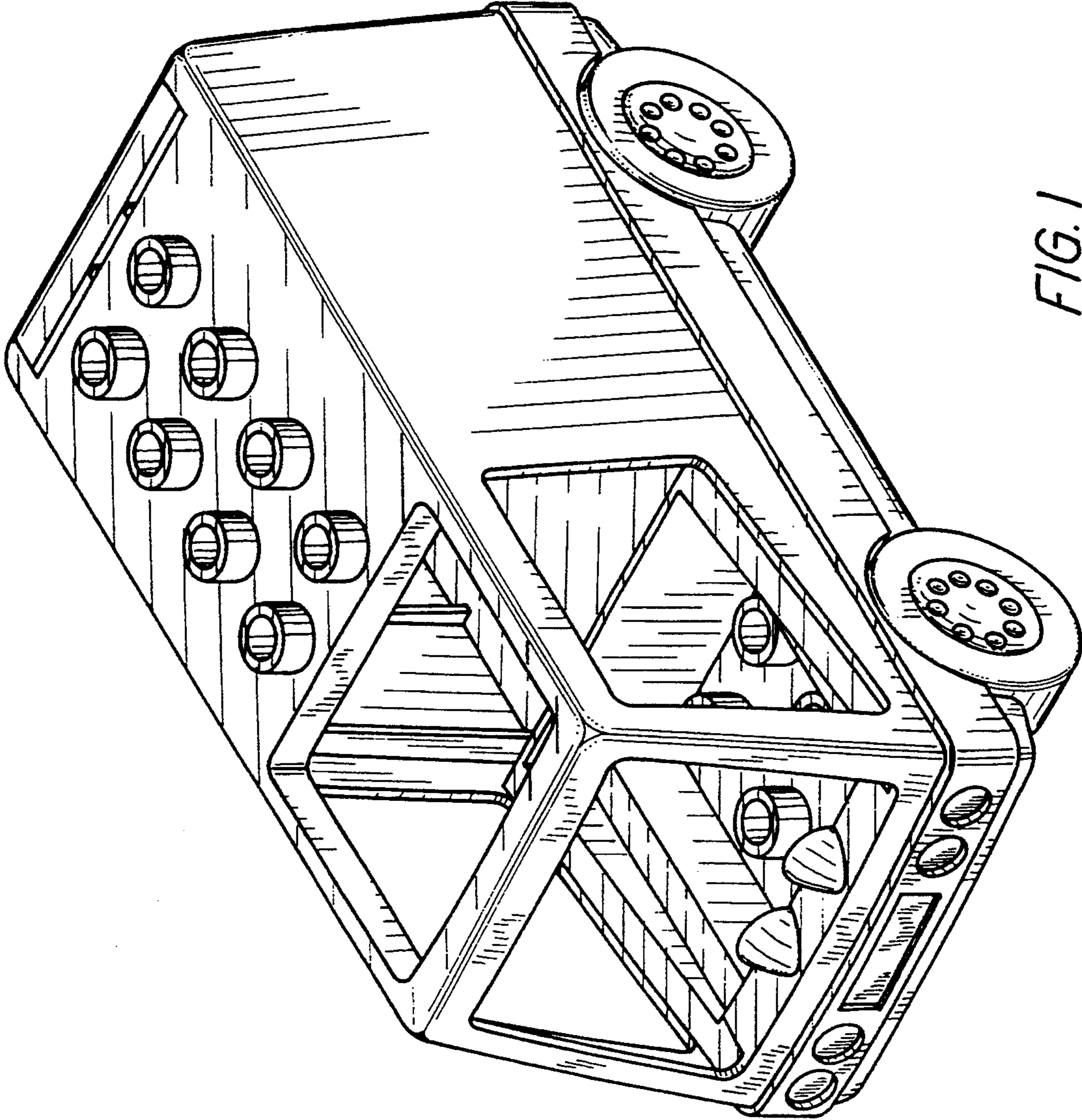


FIG. 1

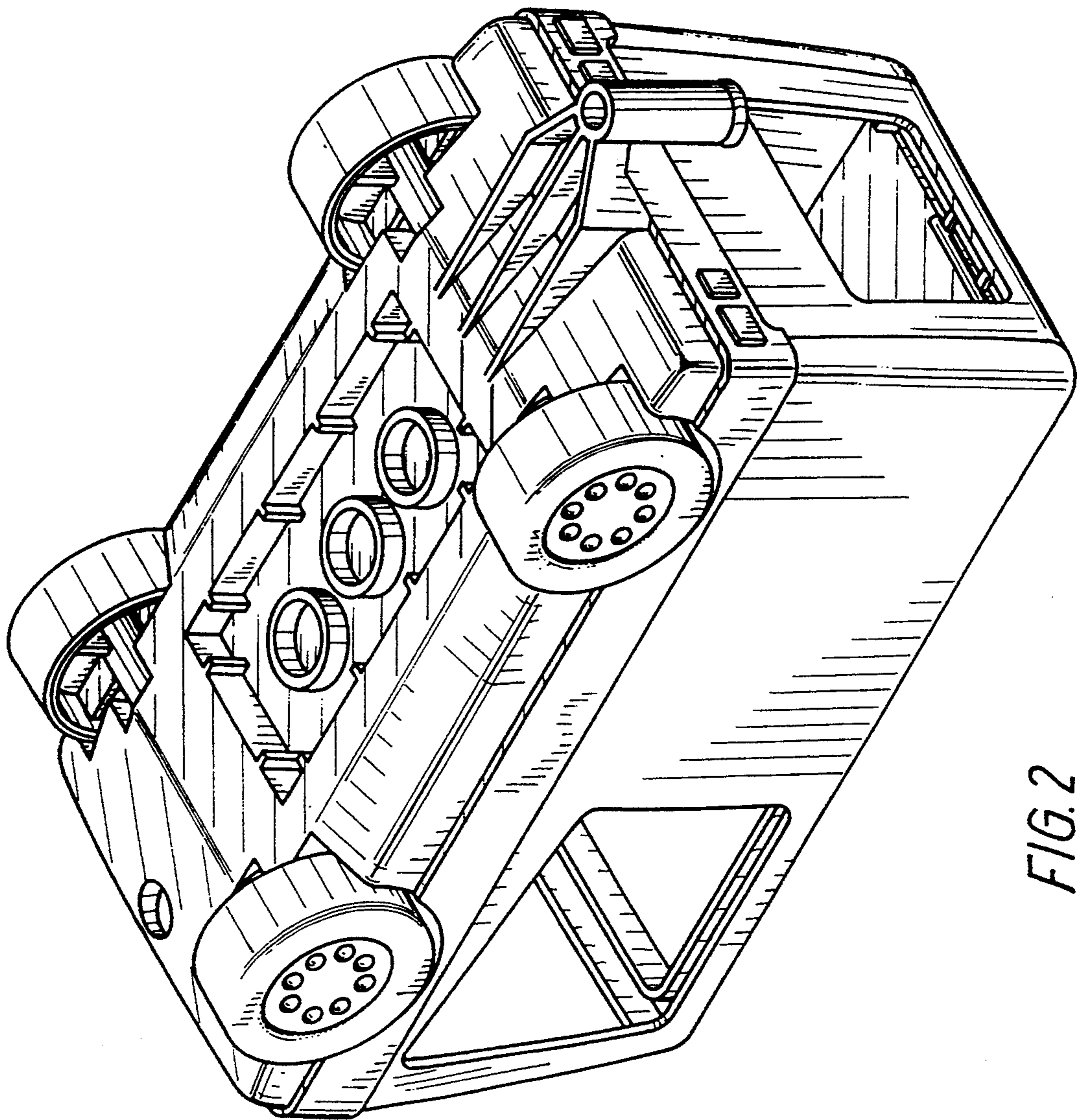


FIG. 2

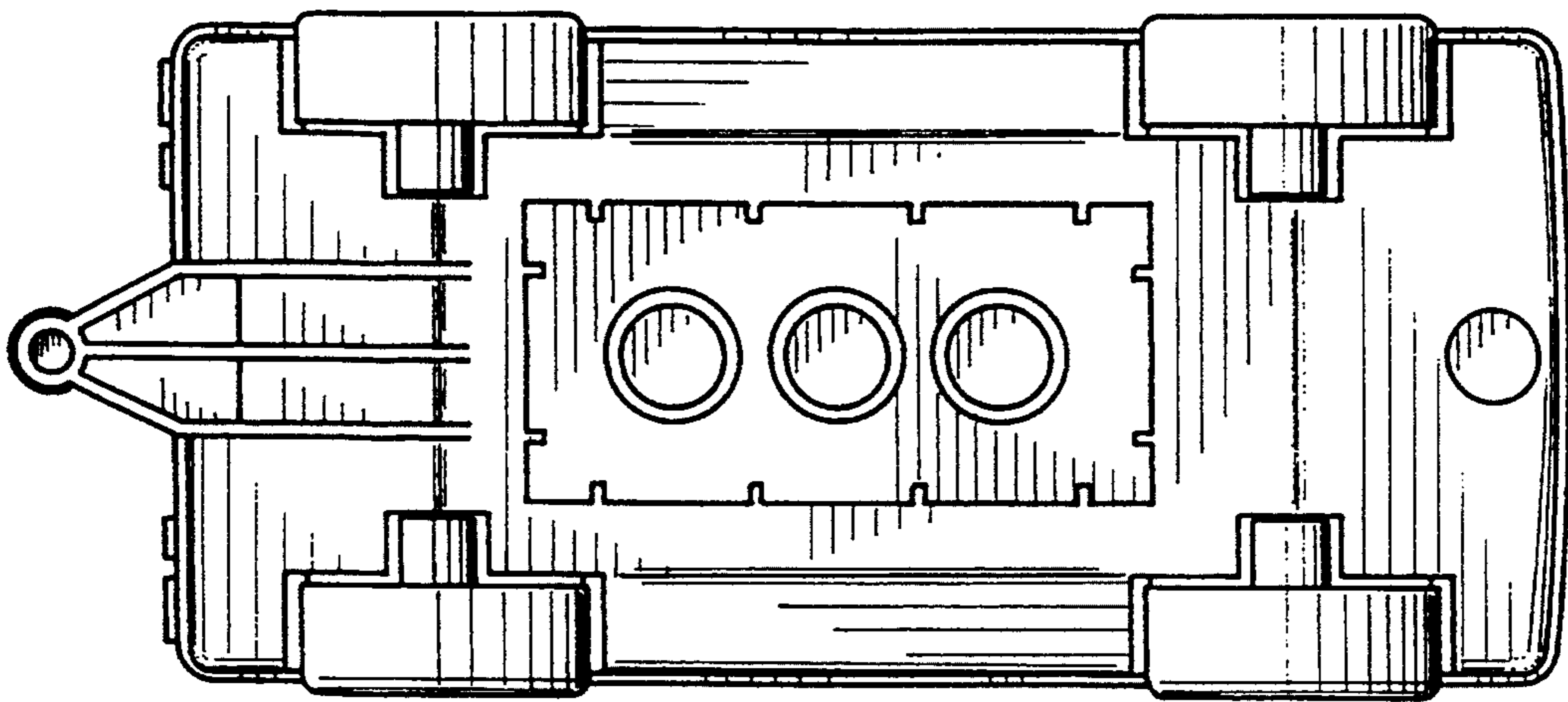


FIG. 8

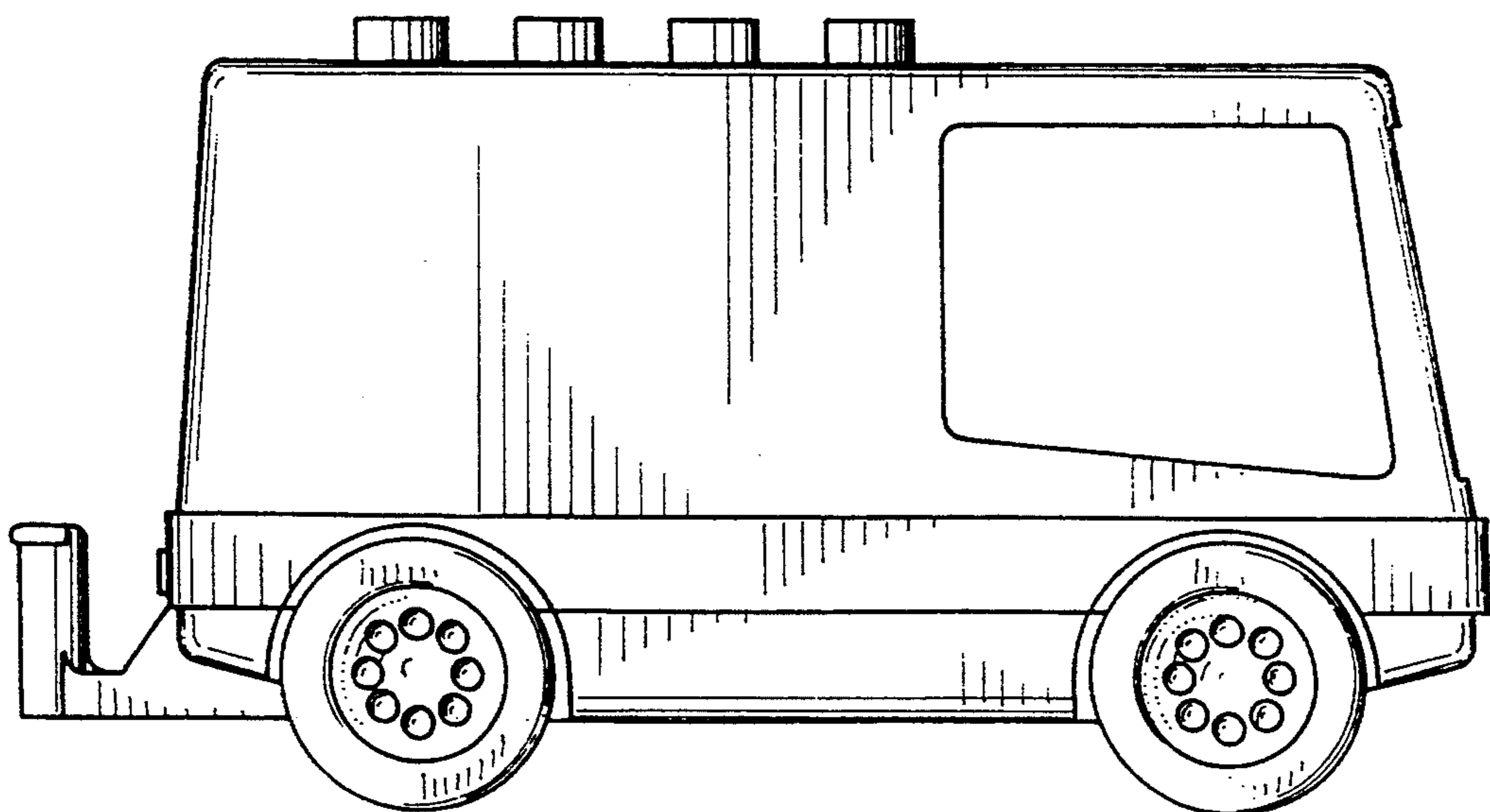


FIG. 3

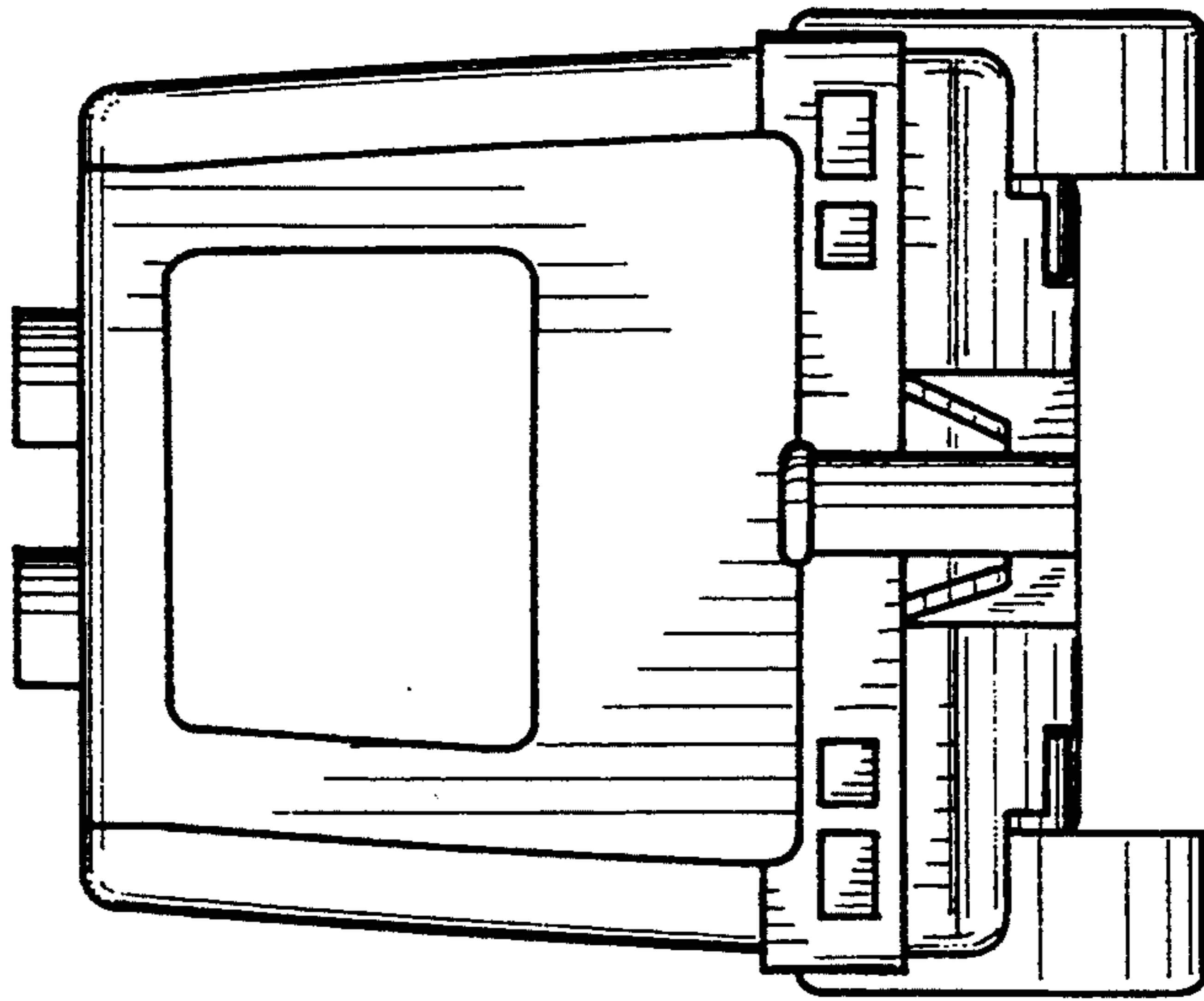


FIG. 6

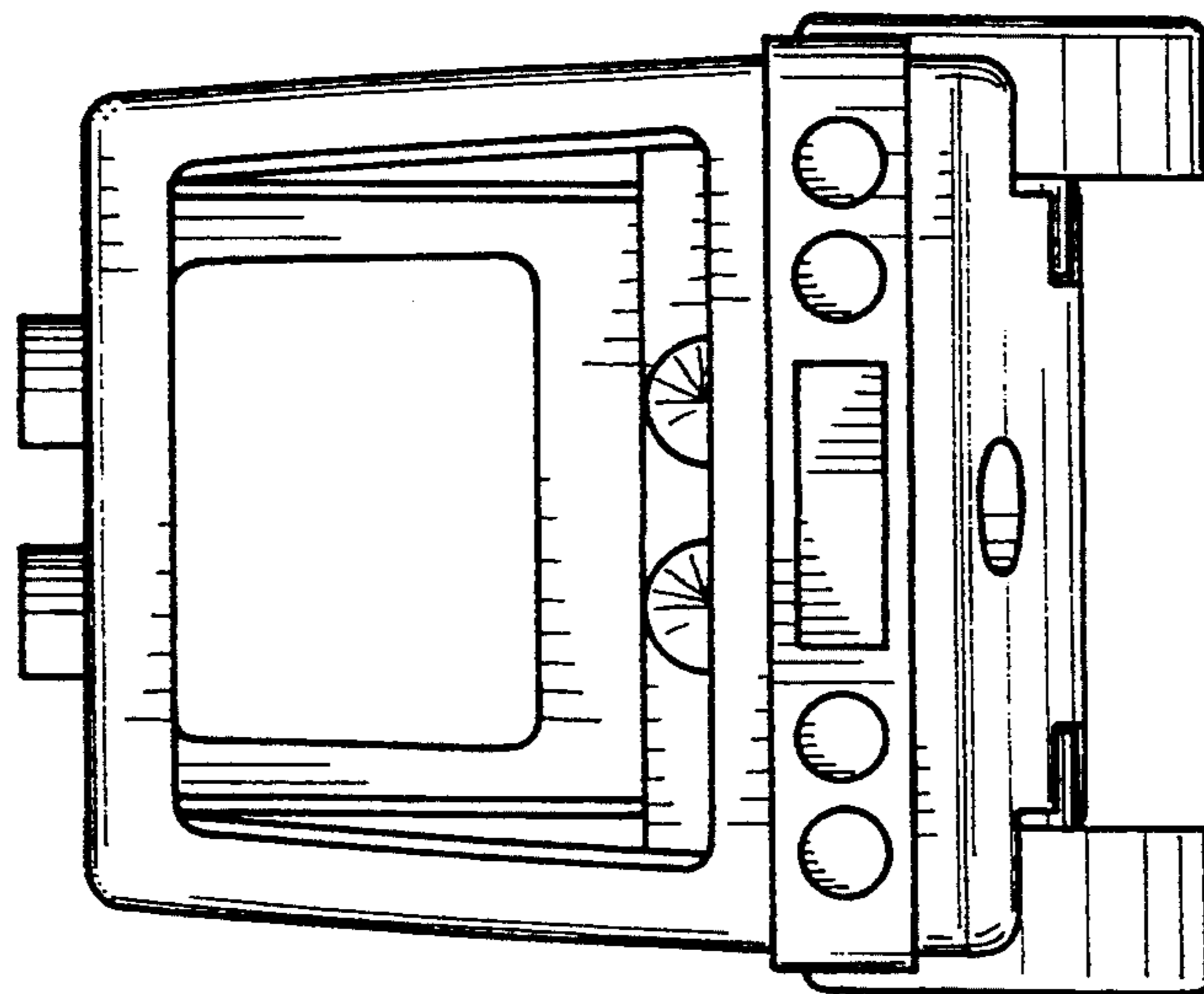


FIG. 4

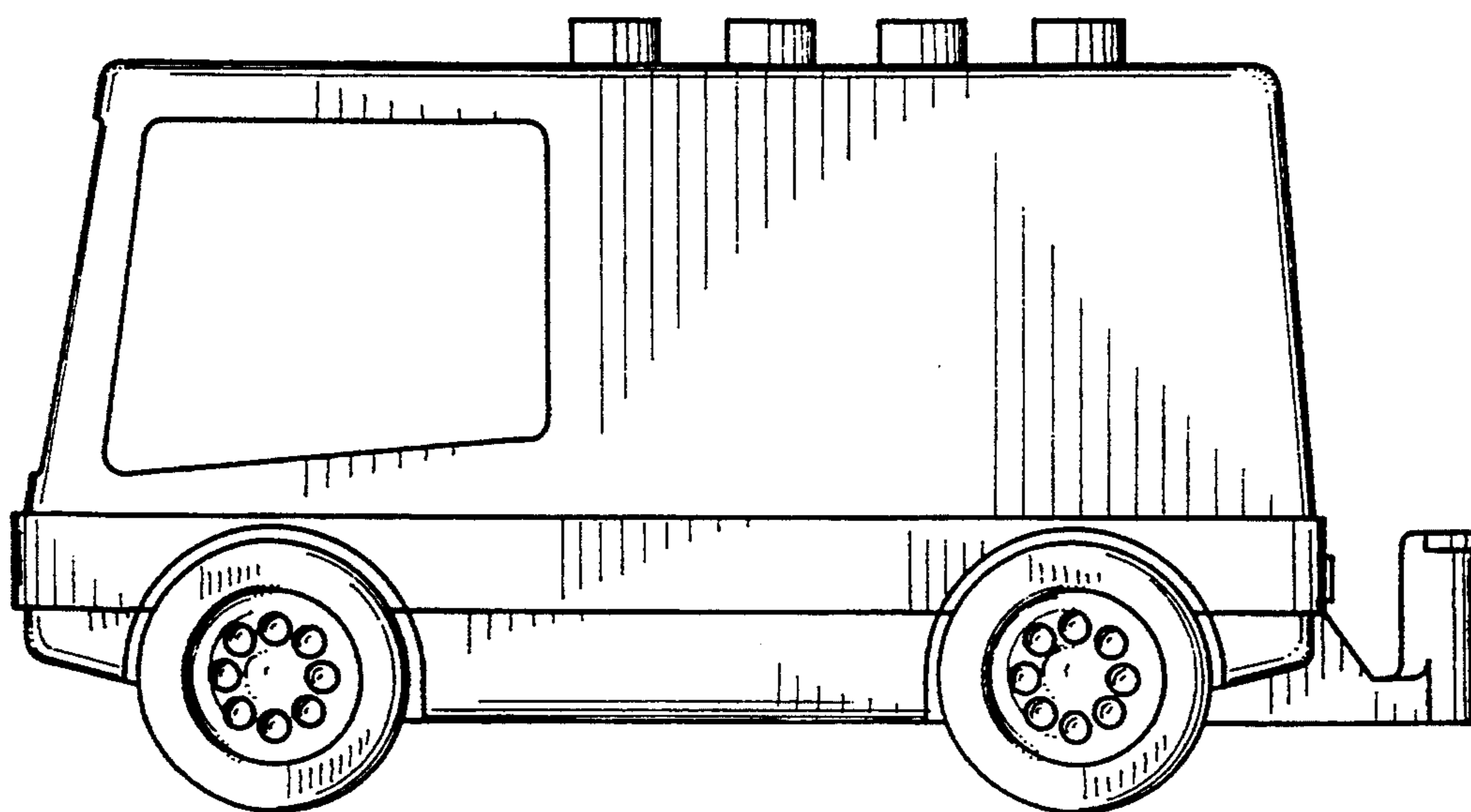


FIG. 5

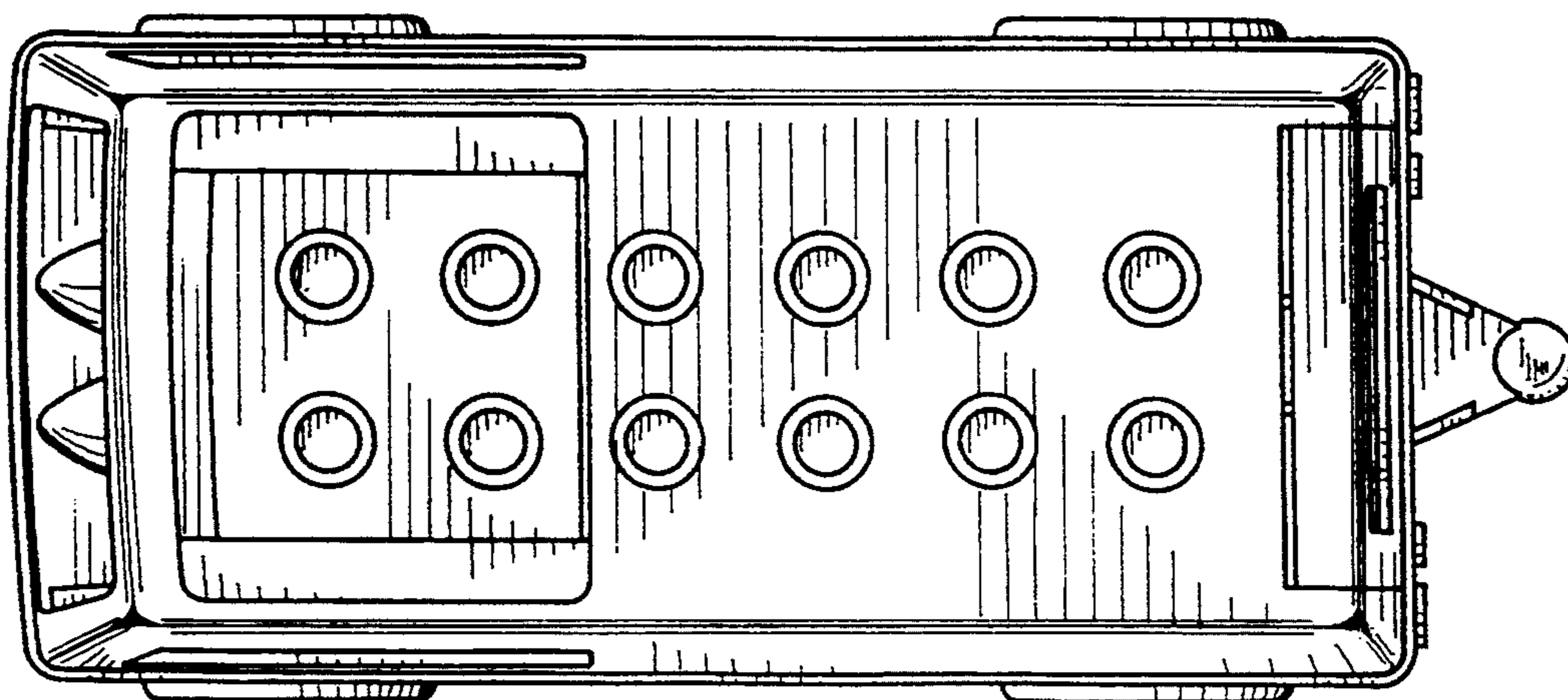


FIG. 7