



US00D351629S

United States Patent [19]

[11] **Patent Number: Des. 351,629**

Ryaa et al.

[45] **Date of Patent: ** Oct. 18, 1994**

[54] **ELEMENT FOR A TOY BUILDING SET**

[75] Inventors: **Jan Ryaa, Billund; Lene Köhler, Jelling, both of Denmark**

[73] Assignee: **Interlego, A.G., Baar, Switzerland**

[**] Term: **14 Years**

[21] Appl. No.: **13,301**

[22] Filed: **Sep. 22, 1993**

[52] U.S. Cl. **D21/108**

[58] Field of Search 446/85, 108, 110, 115, 446/116, 120, 122, 124, 125, 128, 118; 434/172; D21/108, 141; D19/59

[56] **References Cited**

U.S. PATENT DOCUMENTS

D. 312,104	11/1990	Andersen	D21/108
D. 315,580	3/1991	Andersen	D21/108
D. 335,157	4/1993	Rahbek	D21/108
604,708	5/1898	Burton	446/110
741,949	10/1903	Woodson	446/85
1,337,664	4/1920	Lorensen	446/85

OTHER PUBLICATIONS

Constructive Playthings Catalog '85 p. 69 middle left of page.

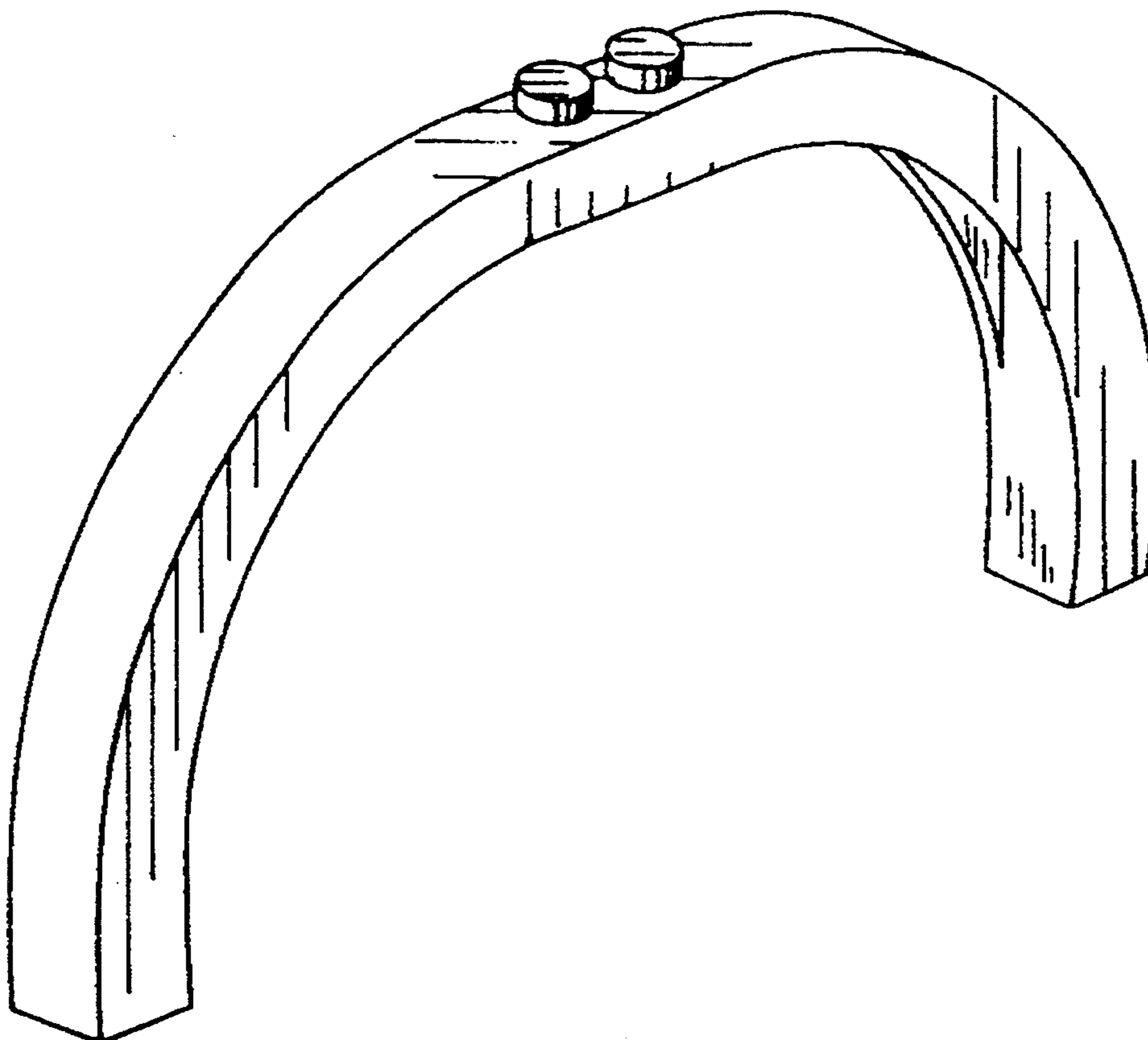
Primary Examiner—Bernard Ansher
Assistant Examiner—R. Barkai
Attorney, Agent, or Firm—Kane, Dalsimer, Sullivan, Kurucz, Levy, Eisele and Richard

[57] **CLAIM**

The ornamental design for an element for a toy building set, as shown and described.

DESCRIPTION

FIG. 1 is a top perspective view of the element for a toy building set showing our new design; FIG. 2 is a bottom perspective view thereof; FIG. 3 is a right side elevational view thereof; FIG. 4 is a front elevational view thereof; FIG. 5 is a left side elevational view thereof; FIG. 6 is a rear elevational view thereof; FIG. 7 is a top plan view thereof; and, FIG. 8 is a bottom plan view thereof.



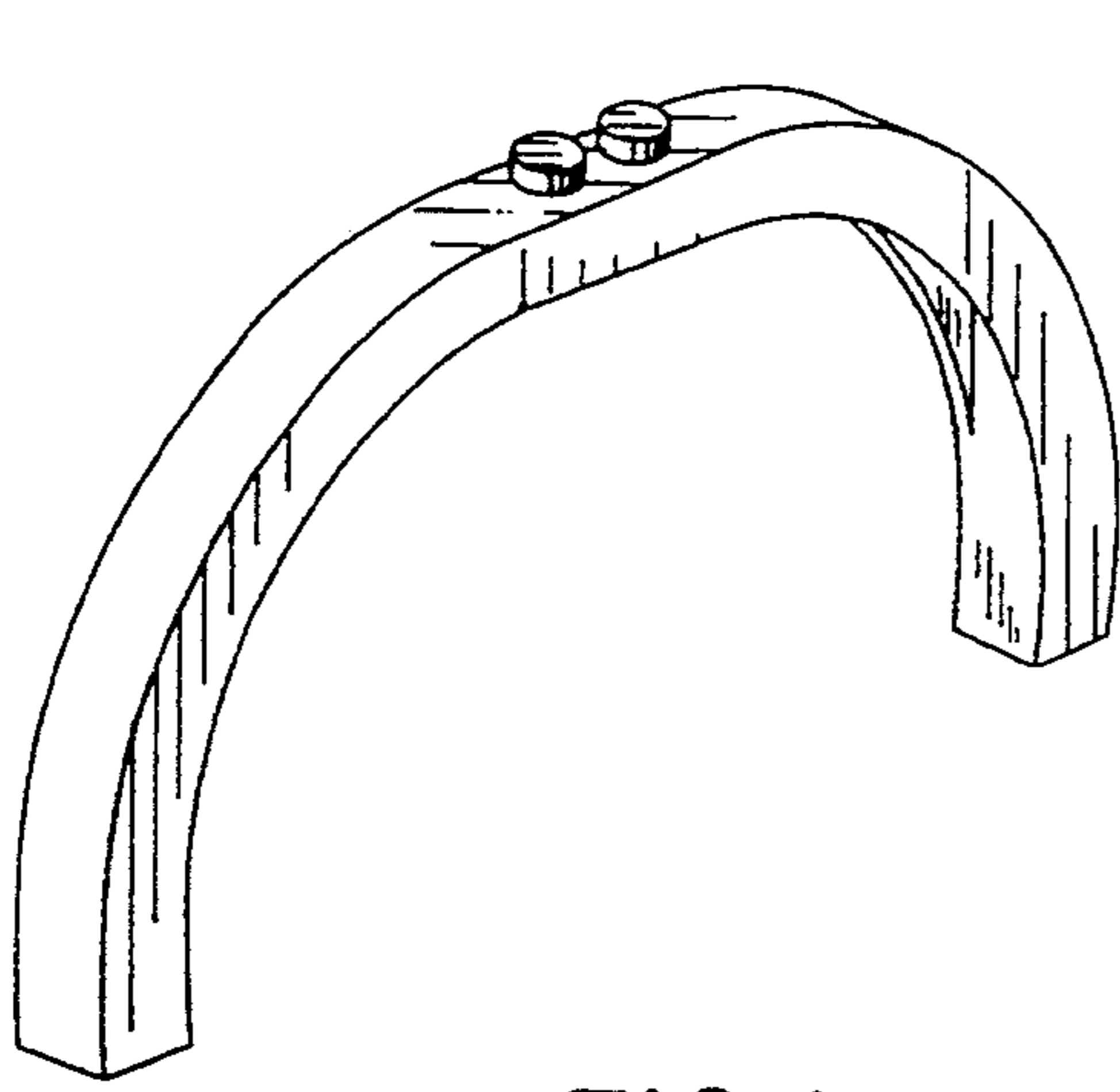


FIG. 1

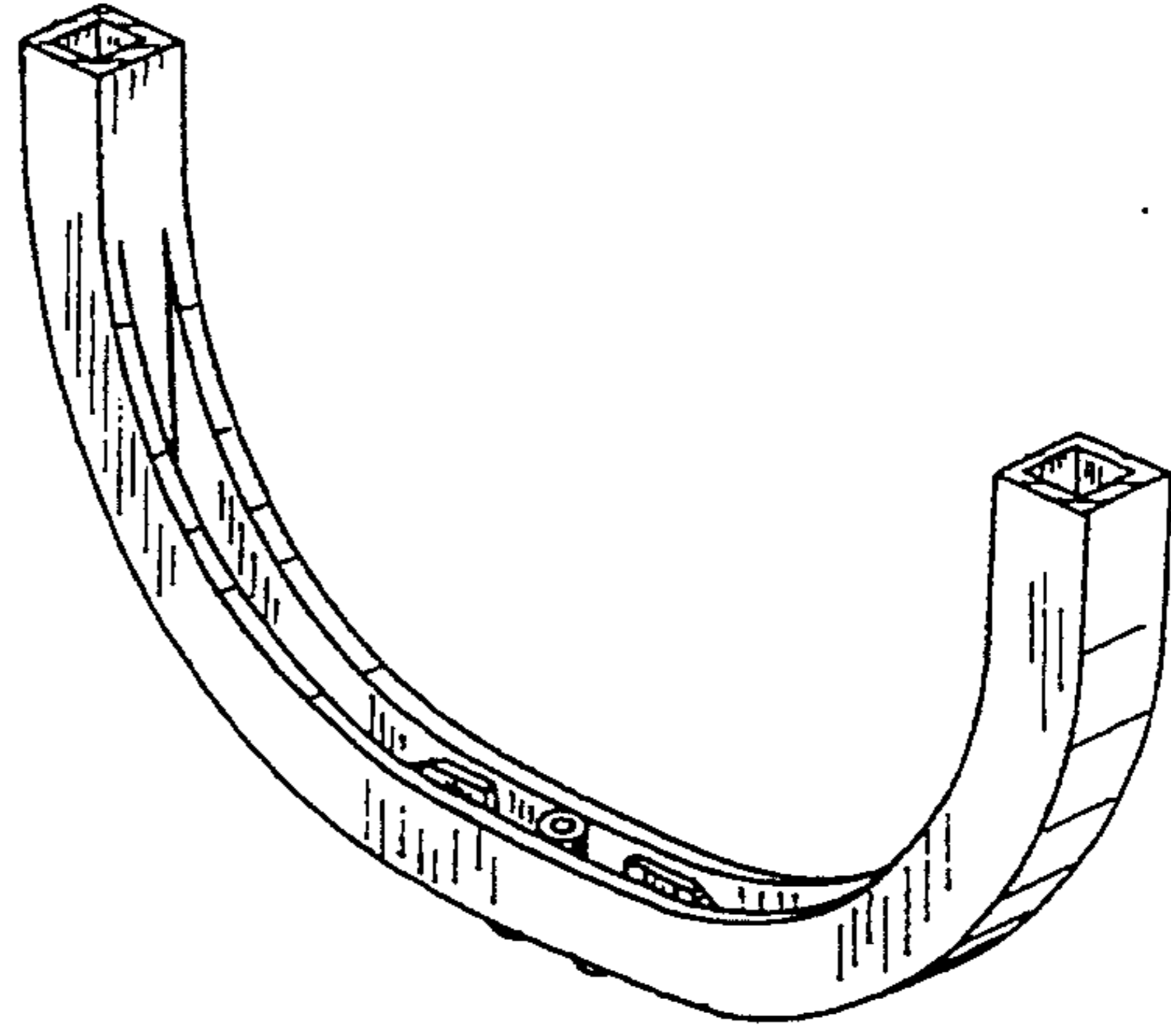


FIG. 2

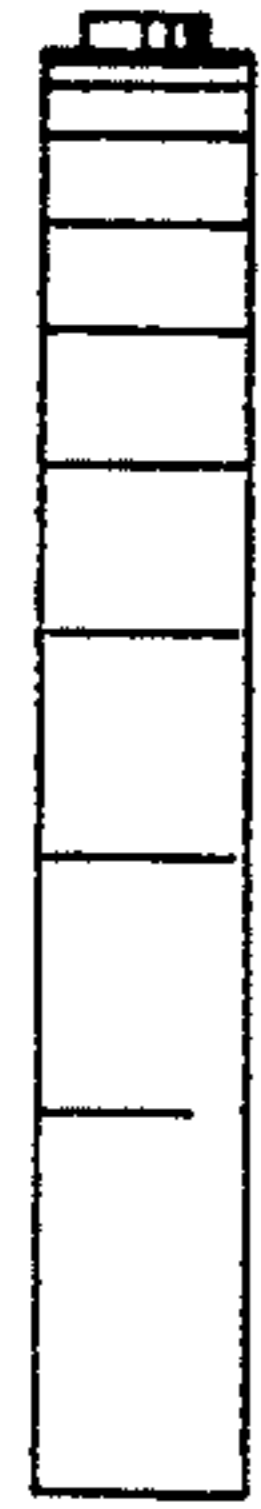


FIG. 6



FIG. 7

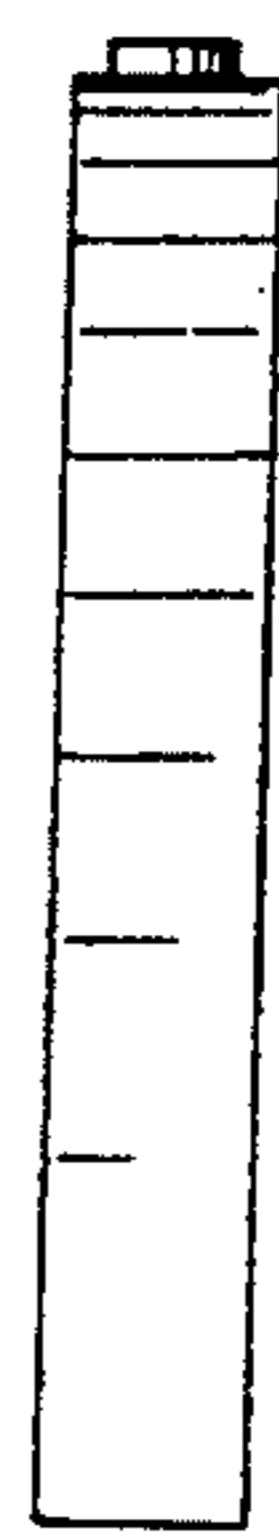


FIG. 4

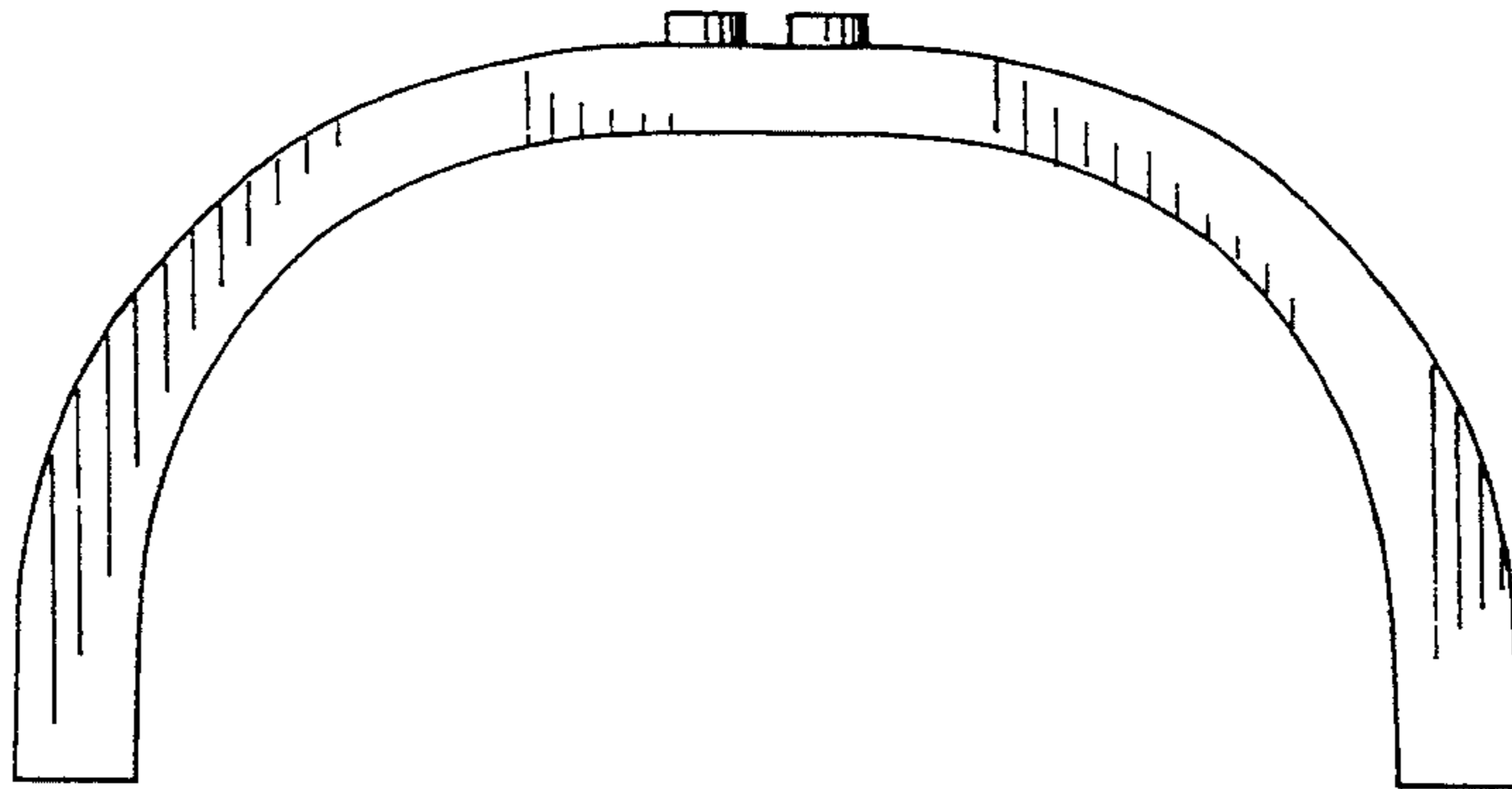


FIG. 5



FIG. 8

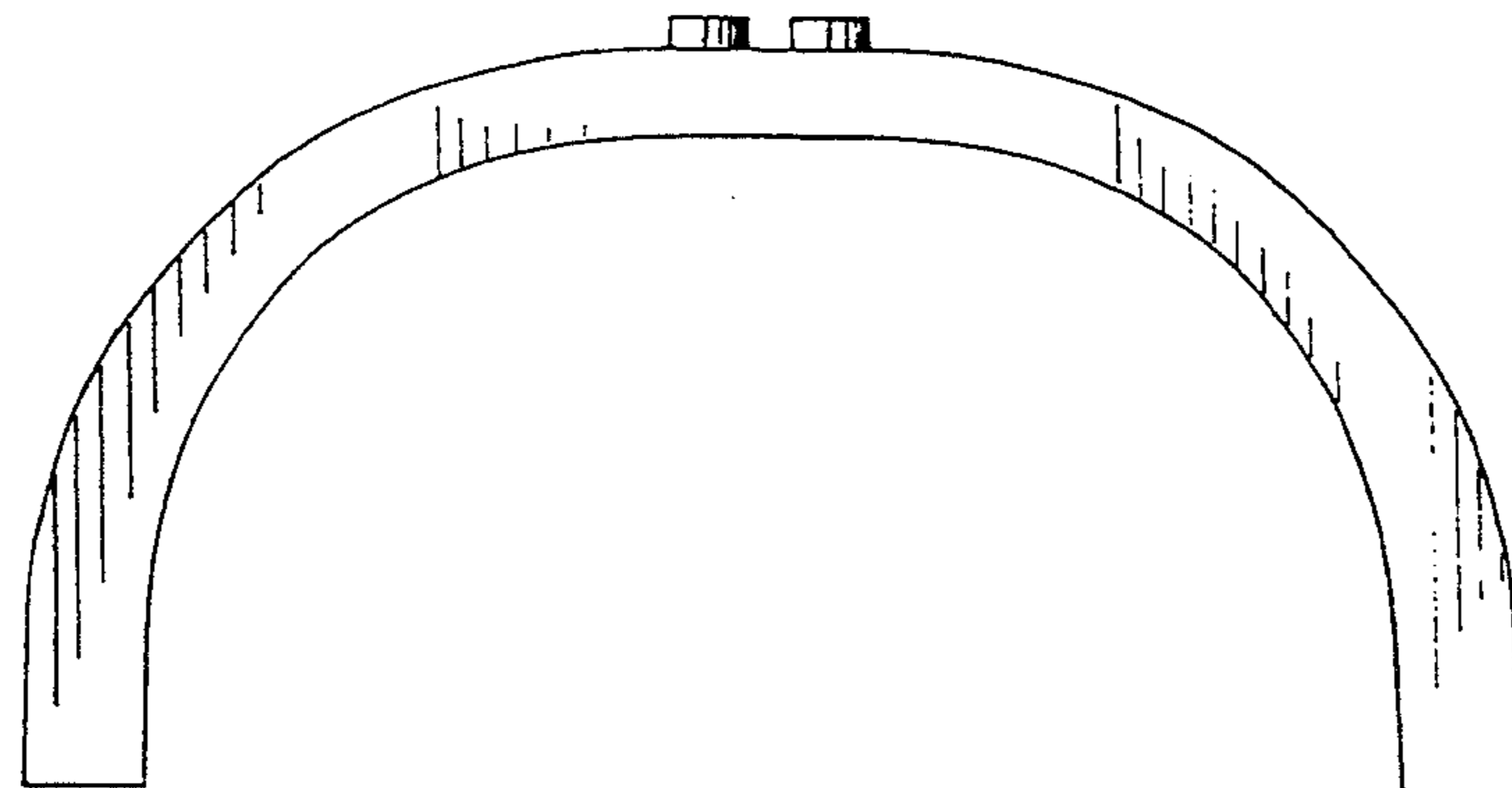


FIG. 3