



US00D351626S

United States Patent [19] Henderson

[11] Patent Number: Des. 351,626

[45] Date of Patent: ** Oct. 18, 1994

- [54] REFILLABLE BINGO DABBER
- [76] Inventor: **Ella Henderson**, 5802 Briarwick,
Houston, Tex. 77016
- [**] Term: **14 Years**
- [21] Appl. No.: **684,364**
- [22] Filed: **Apr. 12, 1991**
- [52] U.S. Cl. **D21/51; D18/15;
D9/338**
- [58] Field of Search **D9/338; 273/148 R;
401/130; D18/14-16; D21/48, 51**

[56] **References Cited**

U.S. PATENT DOCUMENTS

D. 217,308	4/1970	O'Donnell	D18/15
D. 310,249	8/1990	LaLonde	D21/51
D. 316,880	5/1991	Conlan	D21/51
D. 321,596	11/1991	Zierhut	D9/338
D. 325,751	4/1992	Futino	D21/51

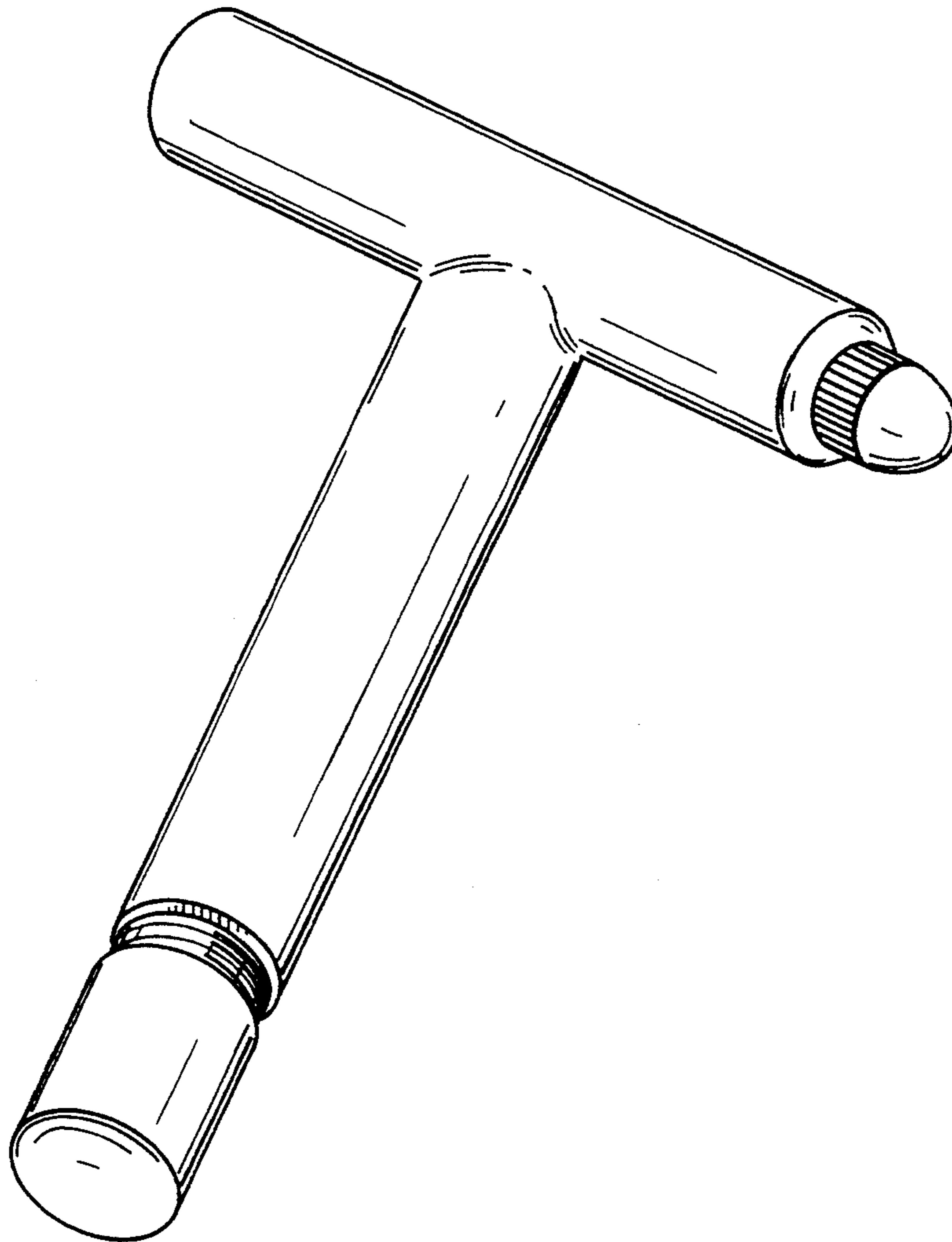
Primary Examiner—Bernard Ansher
Assistant Examiner—Sandra Morris
Attorney, Agent, or Firm—Kenneth D. Baugh

[57] **CLAIM**

The ornamental design for a refillable bingo dabber, as shown and described.

DESCRIPTION

FIG. 1 is a perspective view of a refillable bingo dabber showing my new design;
 FIG. 2 is a fragmentary view of a dabber applicator of the refillable bingo dabber with the cap removed;
 FIG. 3 is a fragmentary perspective end view of the refillable end of the refillable bingo dabber with the bottom cap removed;
 FIG. 4 is an enlarged side view thereof, with the cap removed, the other side being identical;
 FIG. 5 is an enlarged fragmentary front view of a dabber applicator, with the cap removed; and,
 FIG. 6 is an enlarged fragmentary rear view thereof.



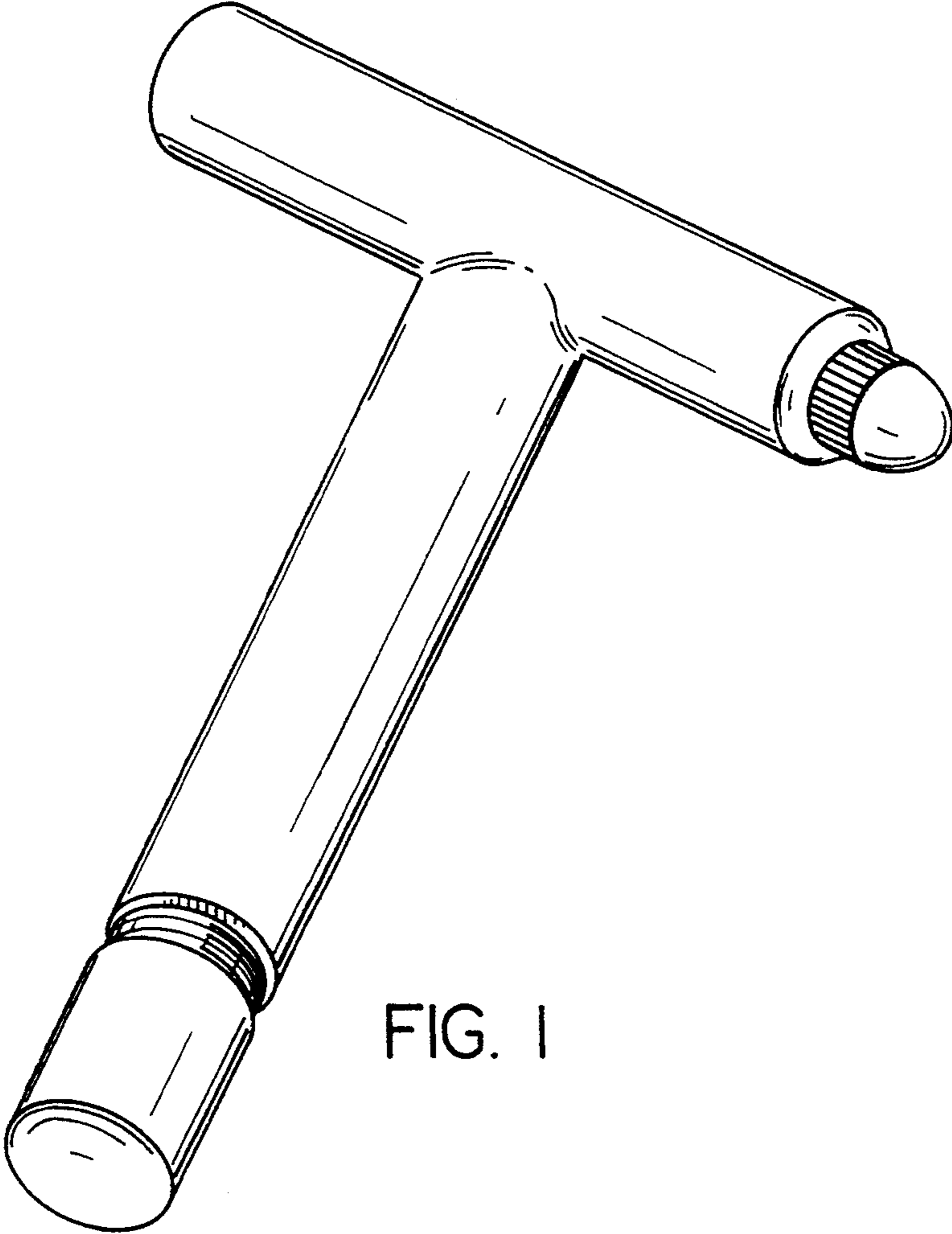


FIG. 1

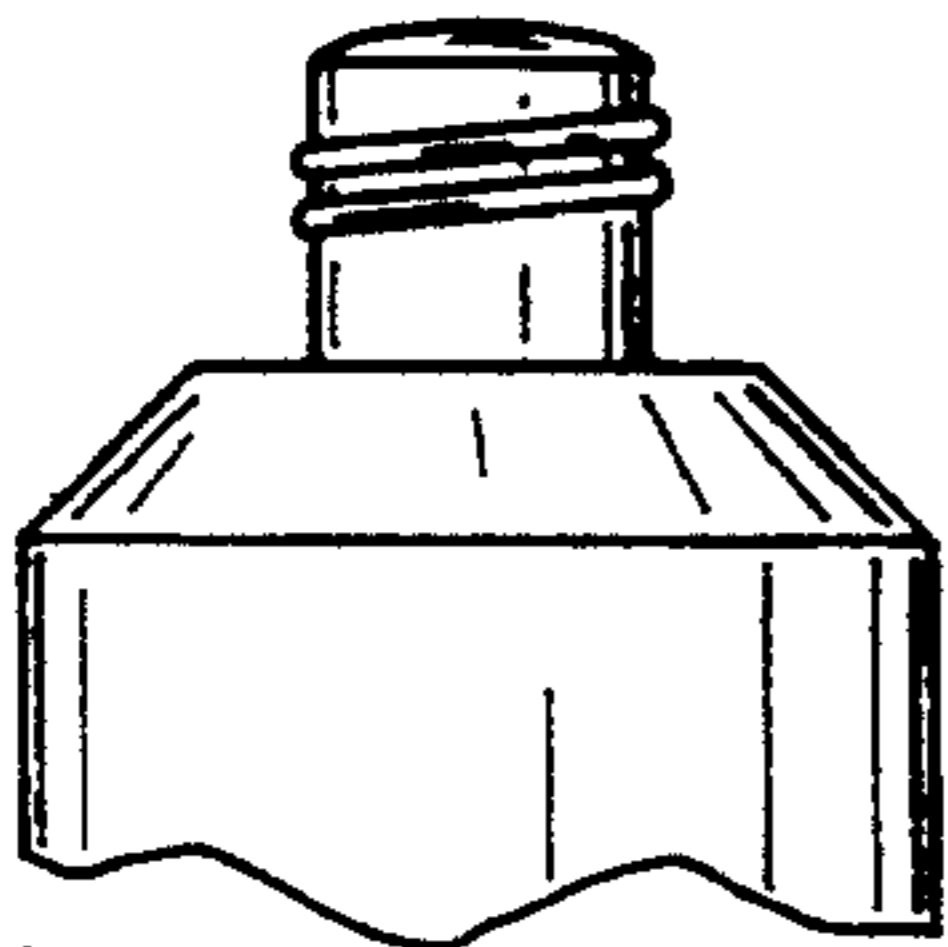


FIG. 2

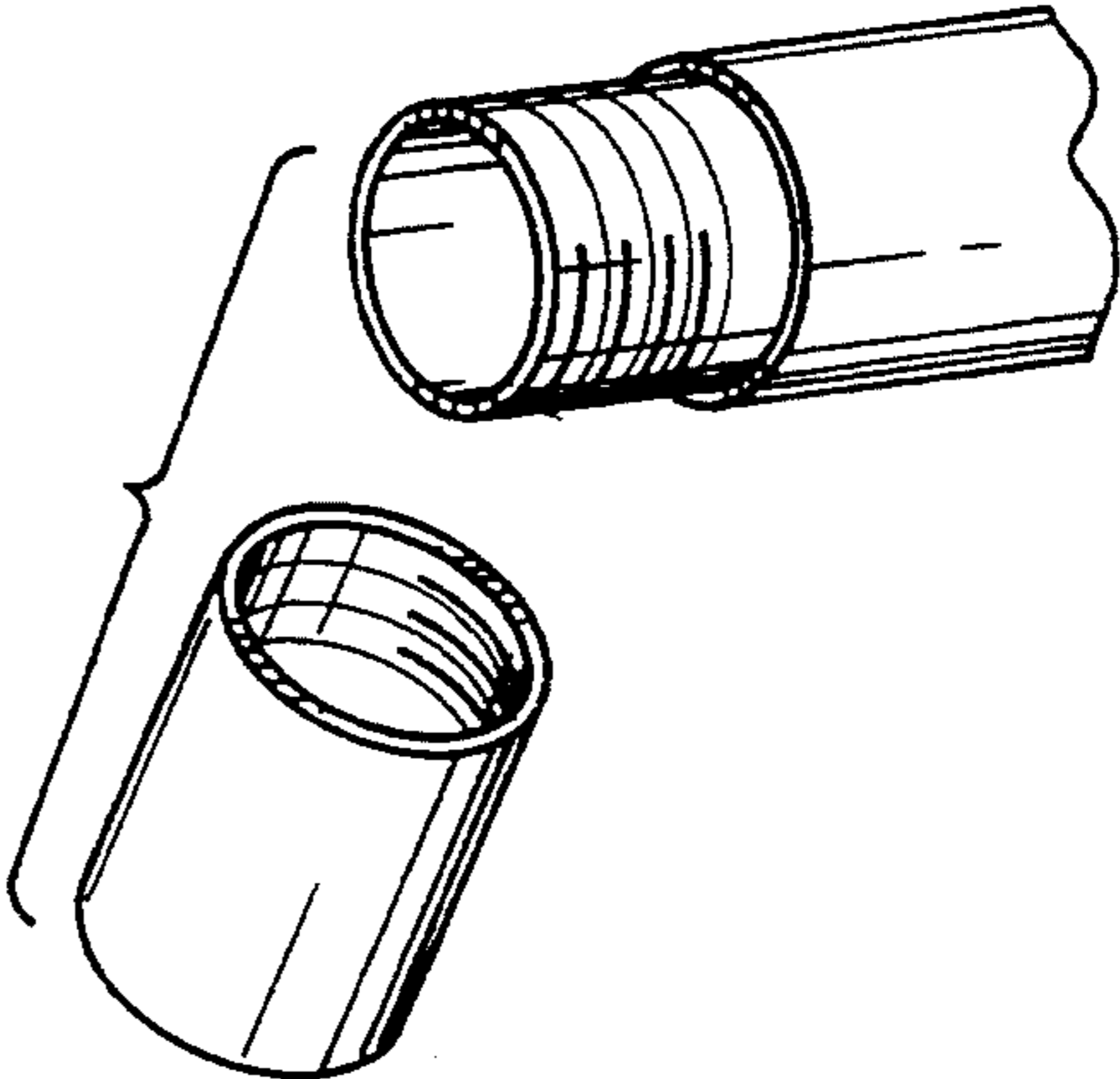


FIG. 3

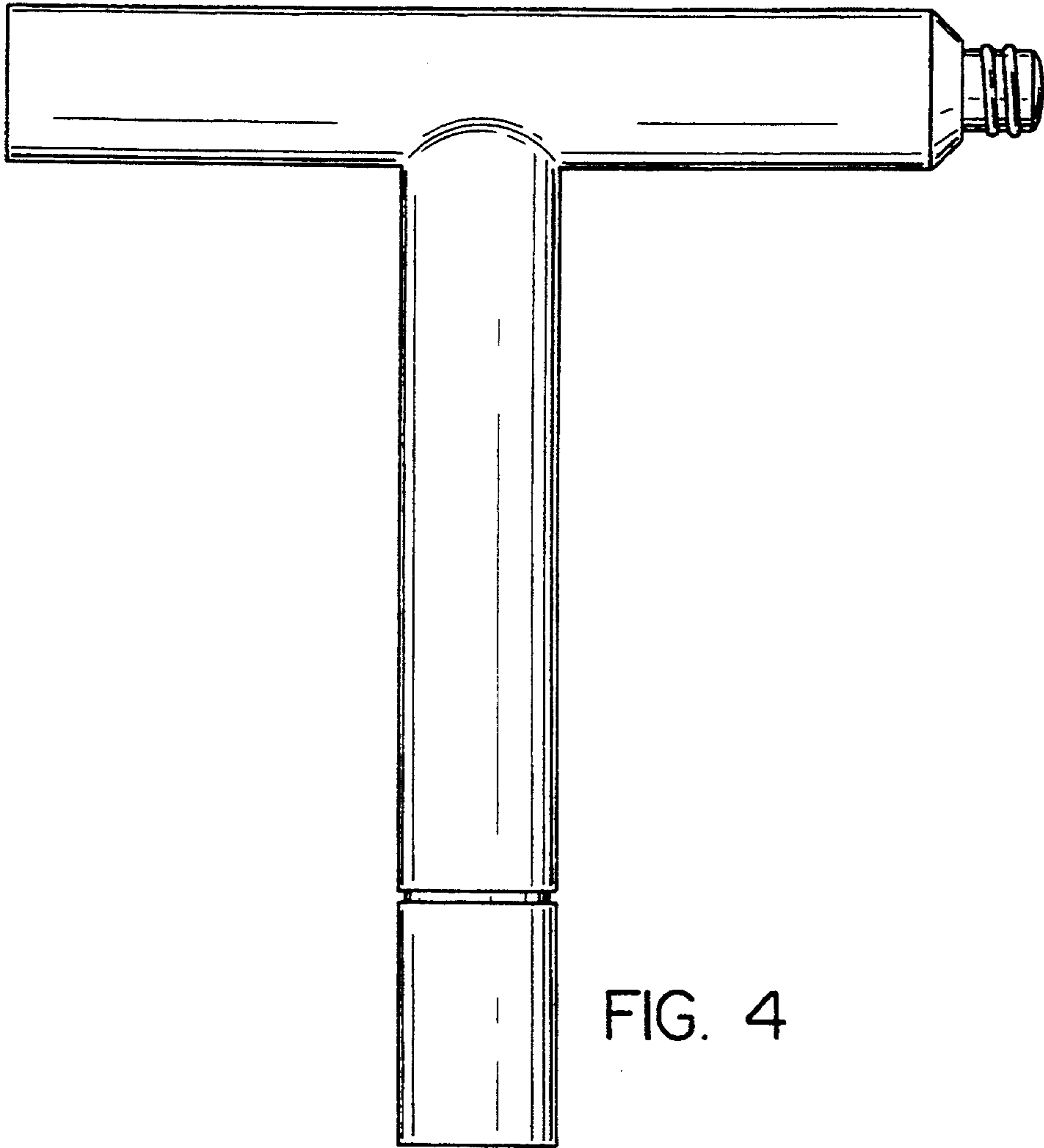


FIG. 4

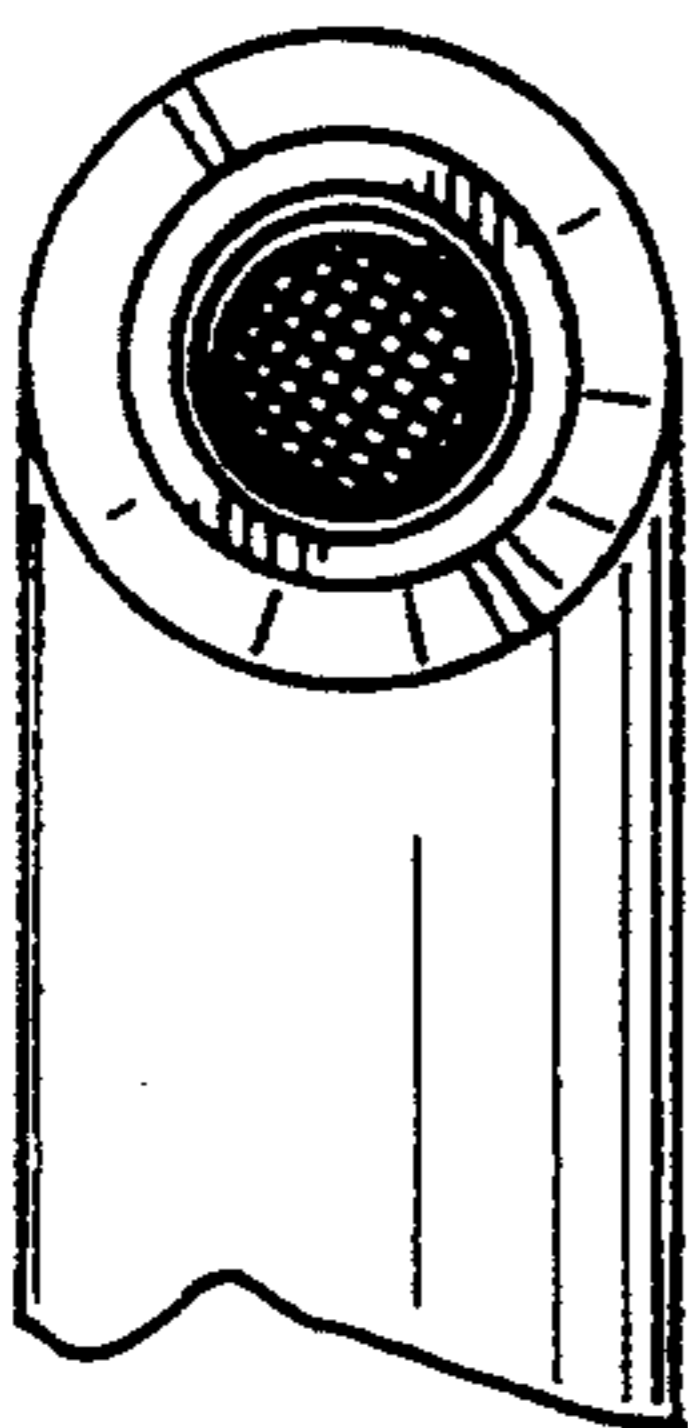


FIG. 5

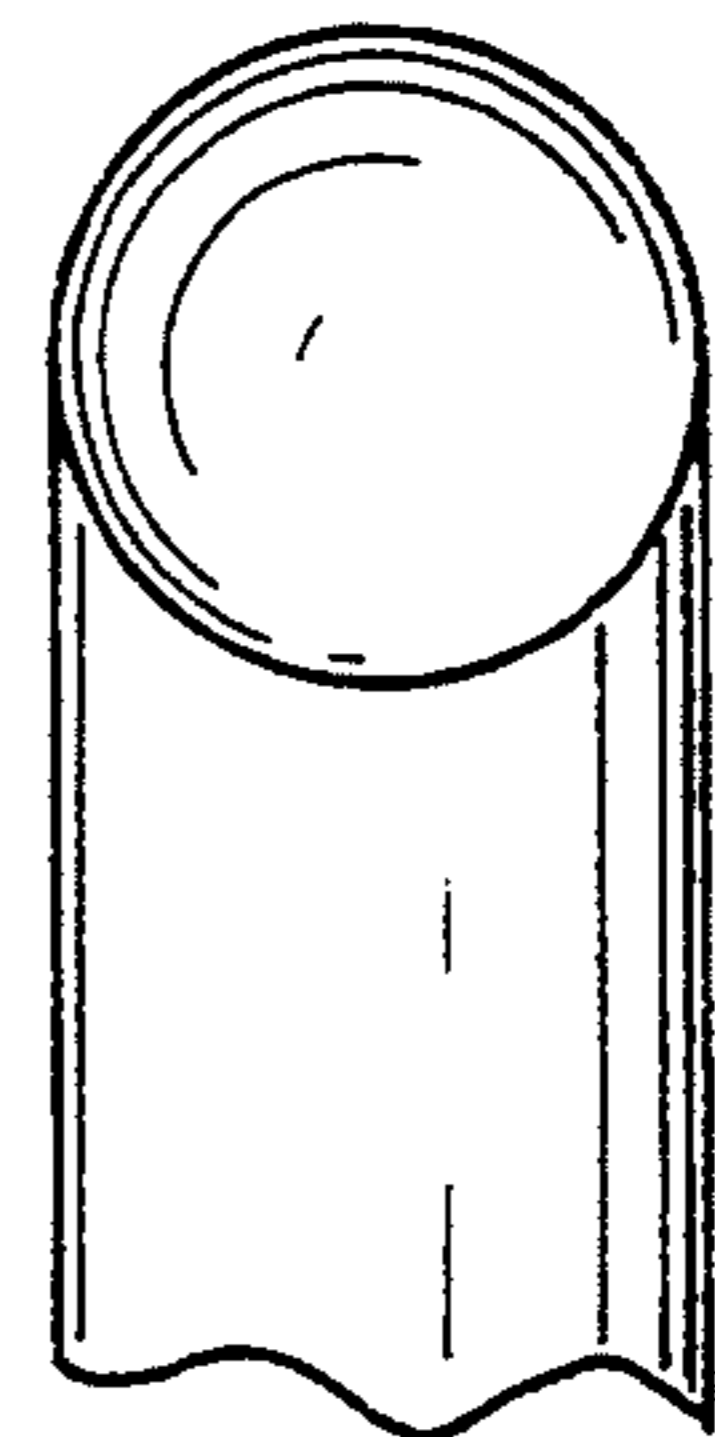


FIG. 6