



US00D351623S

United States Patent [19] Seiler

[11] Patent Number: **Des. 351,623**

[45] Date of Patent: **** Oct. 18, 1994**

[54] **TRIGON GAME BOARD**

5,108,100 4/1992 Essebagers 273/157 R

[76] Inventor: **Michael Seiler**, 10 Elmwood Ct.,
Plainview, N.Y. 11803

FOREIGN PATENT DOCUMENTS

[**] Term: **14 Years**

602970 8/1960 Canada 273/241

562487 5/1975 Switzerland 273/241

[21] Appl. No.: **3,372**

1567232 5/1990 U.S.S.R. 273/157 R

[22] Filed: **Jan. 8, 1993**

2124091 2/1984 United Kingdom 273/241

[52] U.S. Cl. **D21/23; D11/131;**
D11/157

OTHER PUBLICATIONS

[58] **Field of Search** 273/156, 157 R, 153 P,
273/236-285; D21/14-36, 104, 107, 108;
D11/131, 157; D25/13

Playthings, Dec. 1989 Polygonzo Cube #702.

Primary Examiner—Bernard Ansher

Assistant Examiner—Sandra Morris

Attorney, Agent, or Firm—Edward N. Loveman

[56] **References Cited**

CLAIM

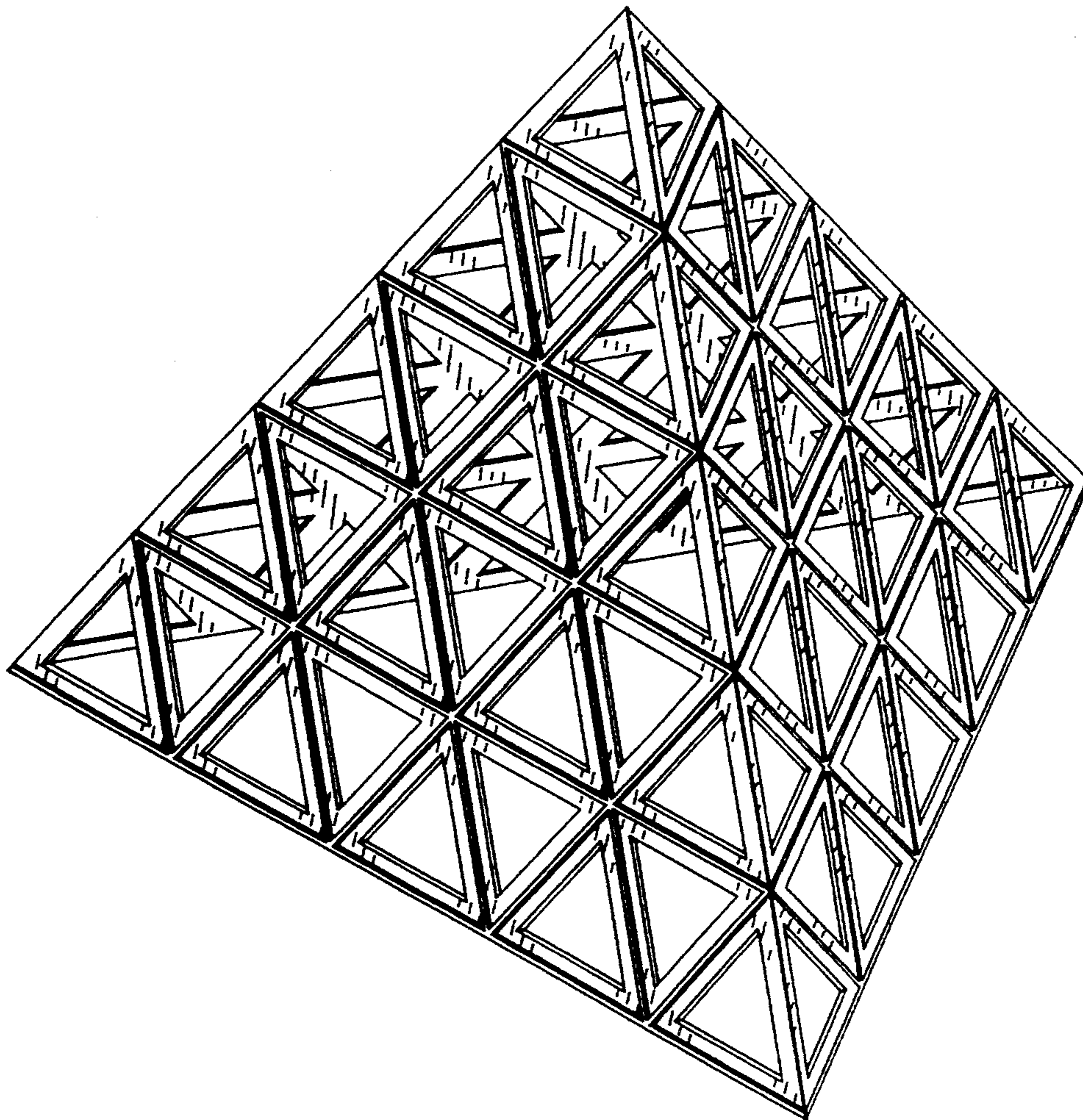
U.S. PATENT DOCUMENTS

[57] The ornamental design of a trigon game board, as
shown and described.

D. 261,373	10/1981	Fisher	D11/131
D. 305,343	1/1990	Epperson	D21/23
D. 328,475	8/1992	Gould et al.	D21/23
2,938,526	5/1960	Harrison, III et al.	D25/13
3,565,442	2/1971	Klein	273/157 R
3,608,906	9/1971	Odier	273/157 R
3,706,456	12/1972	Sesti et al.	273/276
4,934,701	6/1990	Ting	273/157 R

DESCRIPTION

FIG. 1 is a perspective view of a trigon game board,
showing my new design;
FIG. 2 is a top plan view thereof;
FIG. 3 is a bottom plan view thereof; and,
FIG. 4 is a front elevational view thereof.



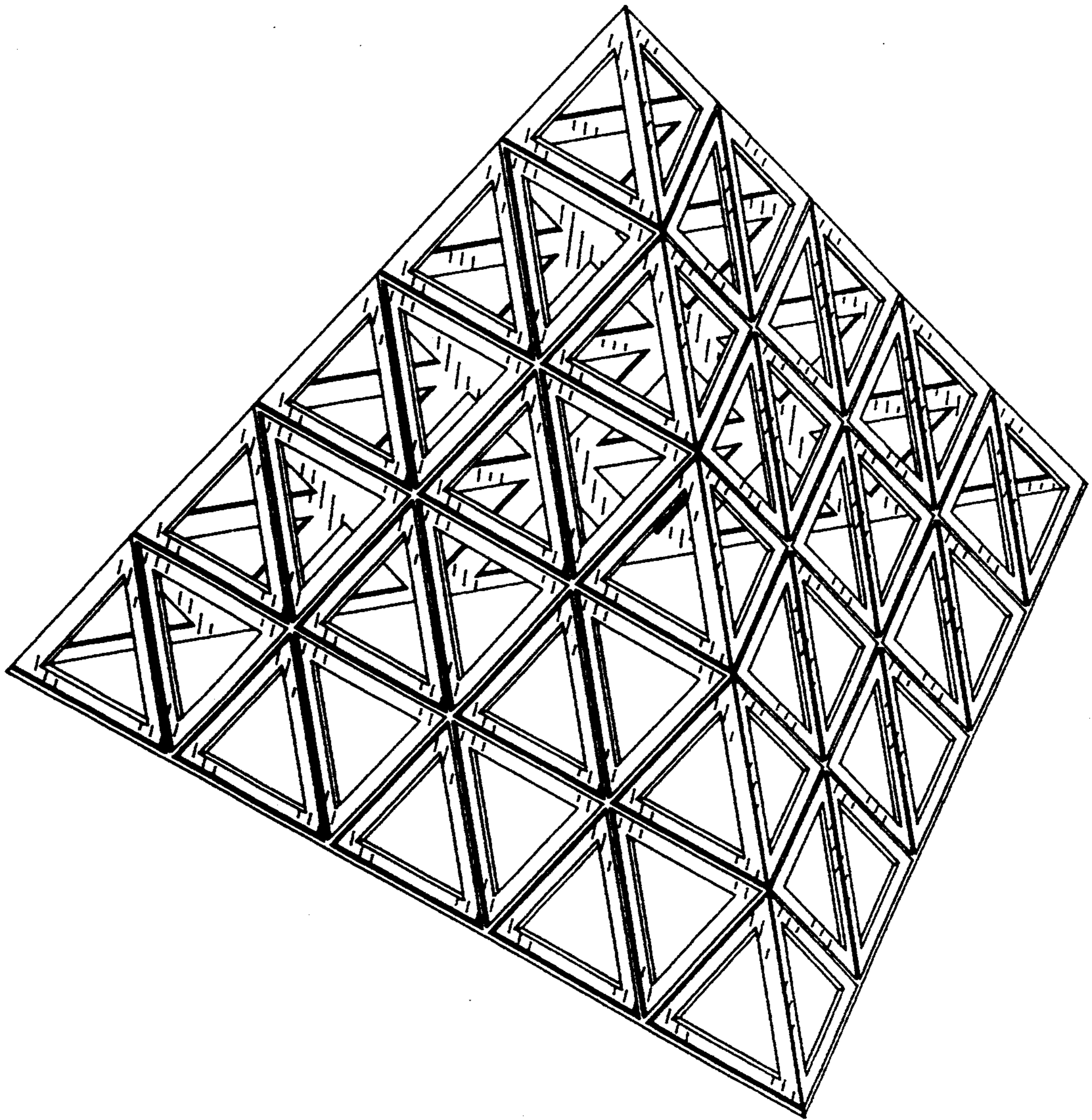


FIG. 1

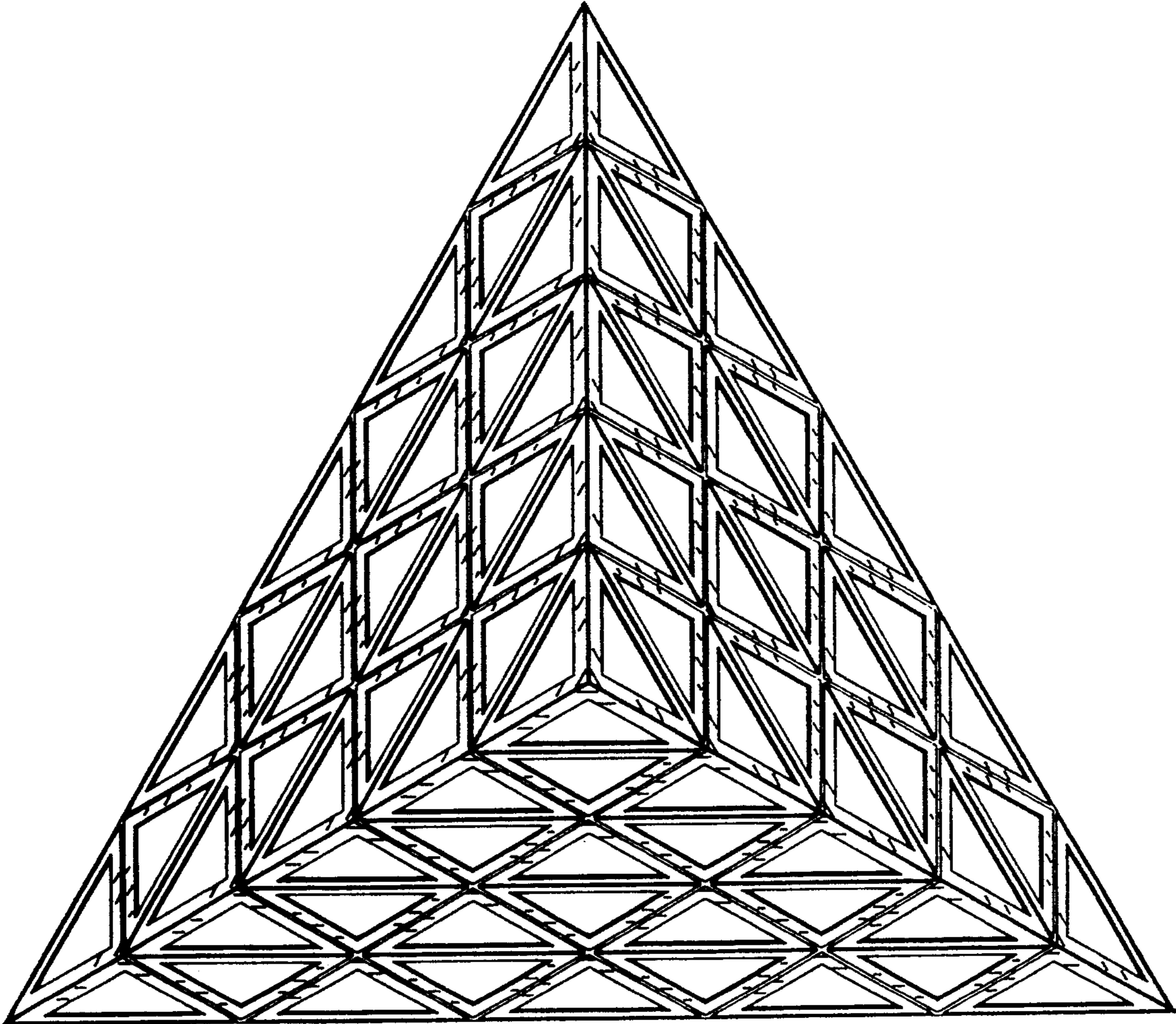


FIG. 2

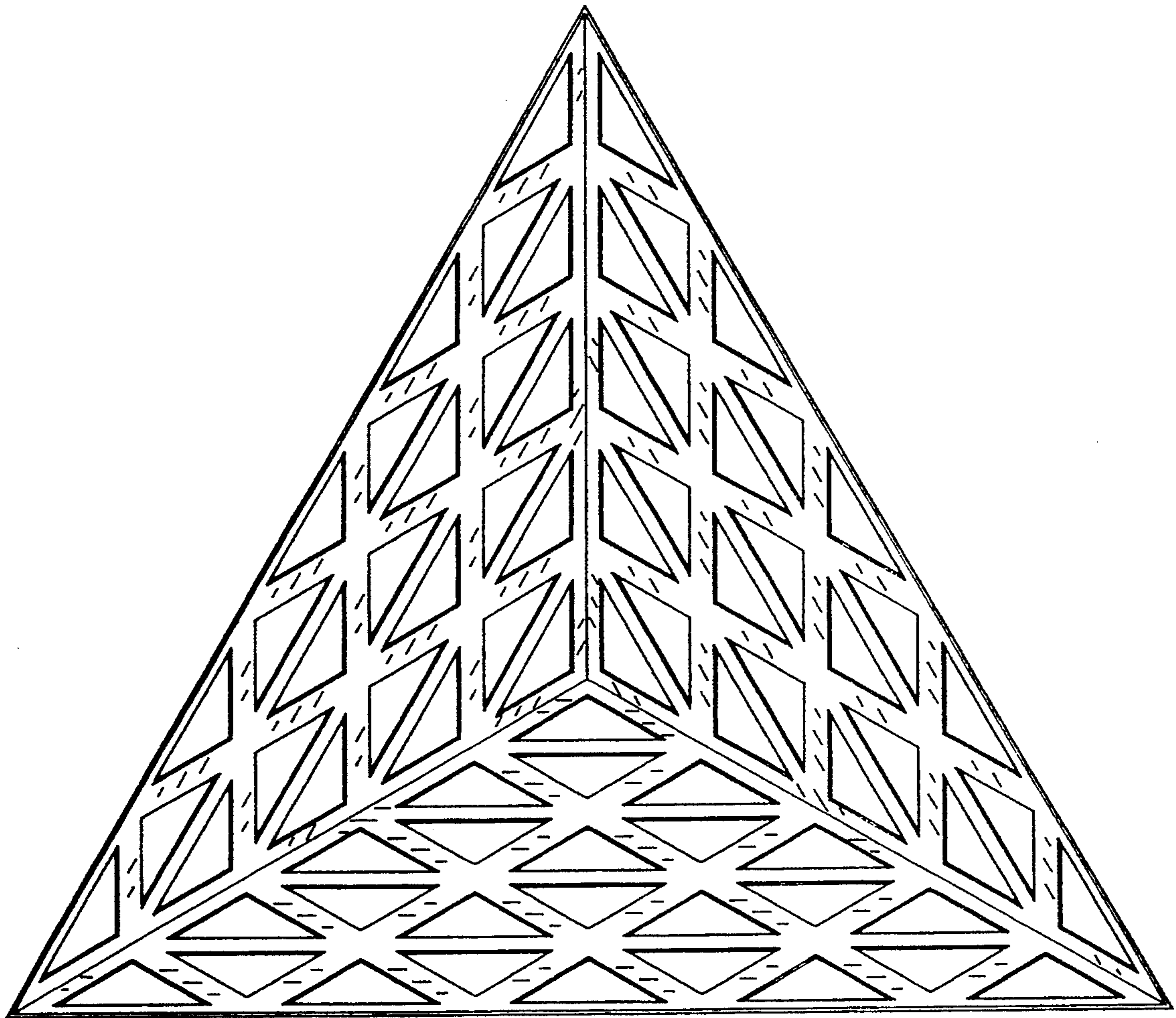


FIG. 3

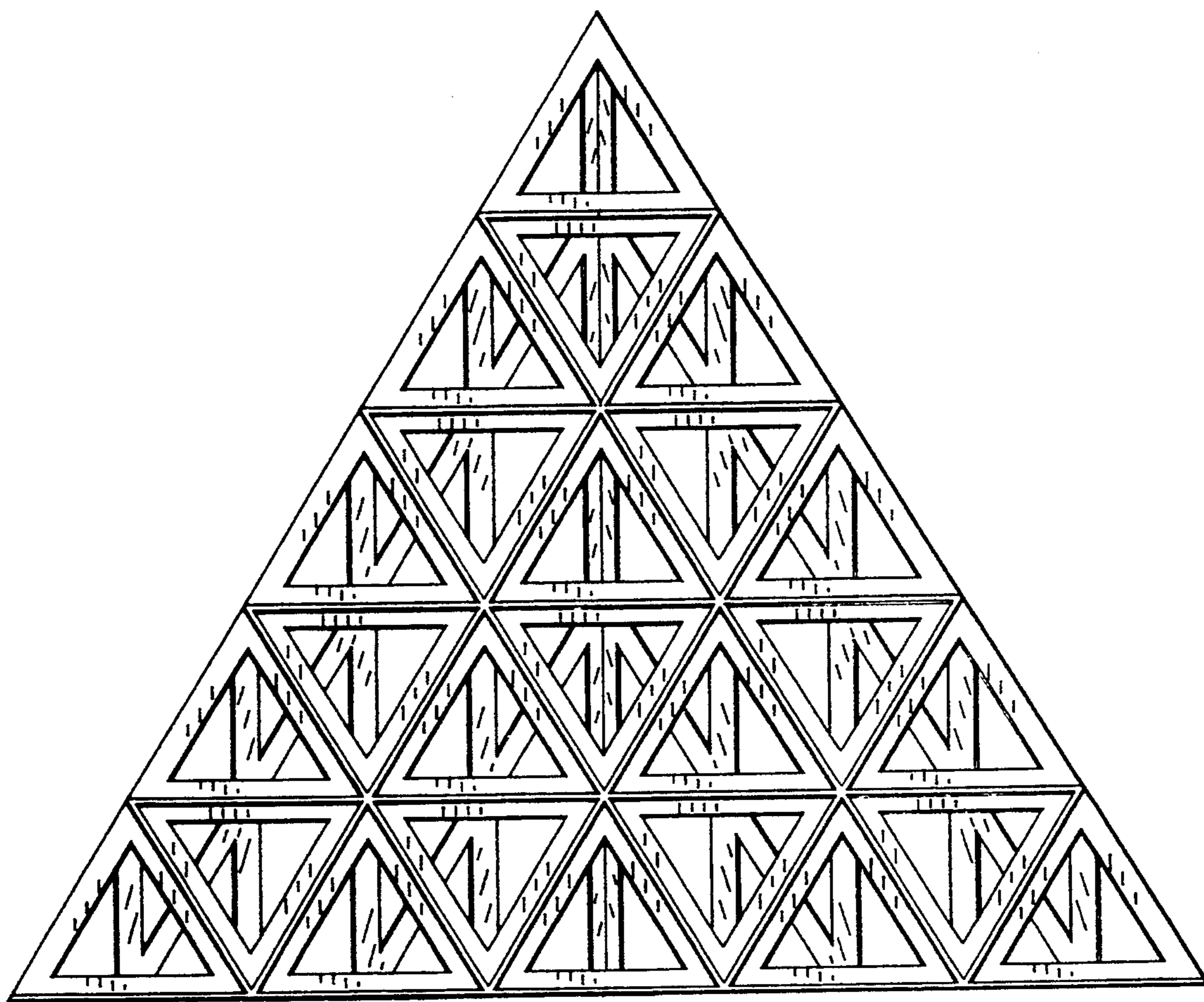


FIG. 4