



US00D351621S

# United States Patent [19]

[11] Patent Number: Des. 351,621

Terzian

[45] Date of Patent: \*\* Oct. 18, 1994

[54] FILE CONTAINER FOR TEACHERS' RESOURCE MATERIAL

[75] Inventor: Bruce A. Terzian, Dedham, Mass.

[73] Assignee: Raytheon Company, Lexington, Mass.

[\*\*] Term: 14 Years

[21] Appl. No.: 9,662

[22] Filed: Jun. 16, 1993

[52] U.S. Cl. .... D19/90; D19/75; D3/201

[58] Field of Search ..... D3/201; 206/387, 425, 206/444, 449, 555; 211/10, 11; 312/183, 184; D19/65, 75, 76, 78, 86, 90, 91, 92, 99, 100; D34/43, 44

[56] **References Cited**

**U.S. PATENT DOCUMENTS**

D. 289,181 4/1987 Solomon ..... D19/90

D. 299,037	12/1988	Klodt	.....	D19/90
D. 299,657	1/1989	Hwana	.....	D19/90
D. 310,107	8/1990	Murphy et al.	.....	D19/90
D. 328,101	7/1992	Rorke	.....	D19/86 X
D. 335,309	5/1993	Evenson	.....	D19/75 X
2,447,731	8/1948	Bureau	.....	206/425
3,874,501	4/1975	Cronheim	.....	206/425
4,817,861	4/1989	Henrikson	.....	206/425 X

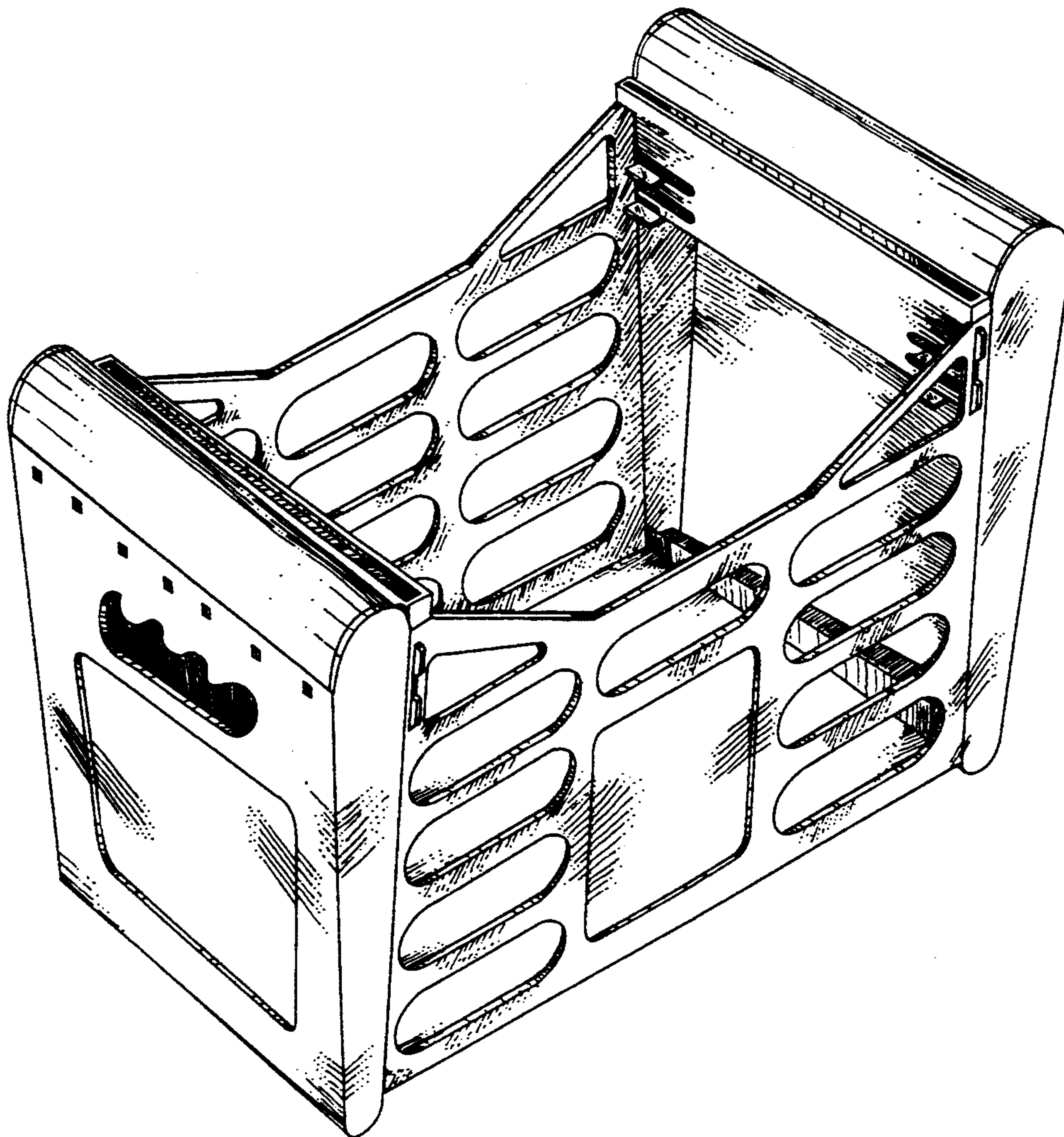
Primary Examiner—Martie Thompson  
Attorney, Agent, or Firm—Donald F. Mofford

[57] **CLAIM**

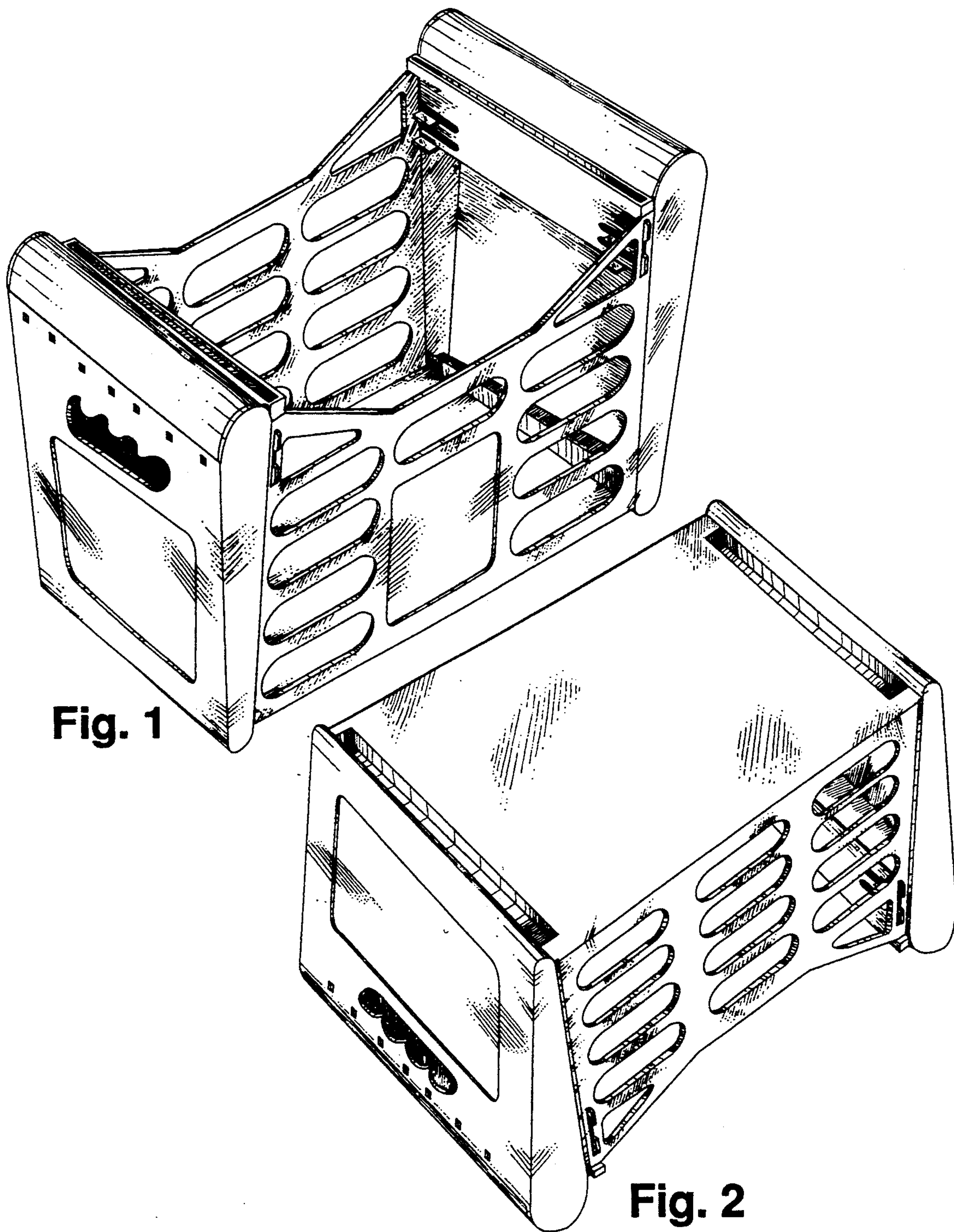
The ornamental design for a file container for teachers' resource material, as shown.

**DESCRIPTION**

FIG. 1 is a top front perspective view of file container for teachers' resource material showing our new design; FIG. 2 is a bottom rear perspective view; FIG. 3 is a top view; FIG. 4 is a front elevational view; FIG. 5 is a back elevational view; and, FIG. 6 is a side elevational view thereof.







**Fig. 1**

**Fig. 2**

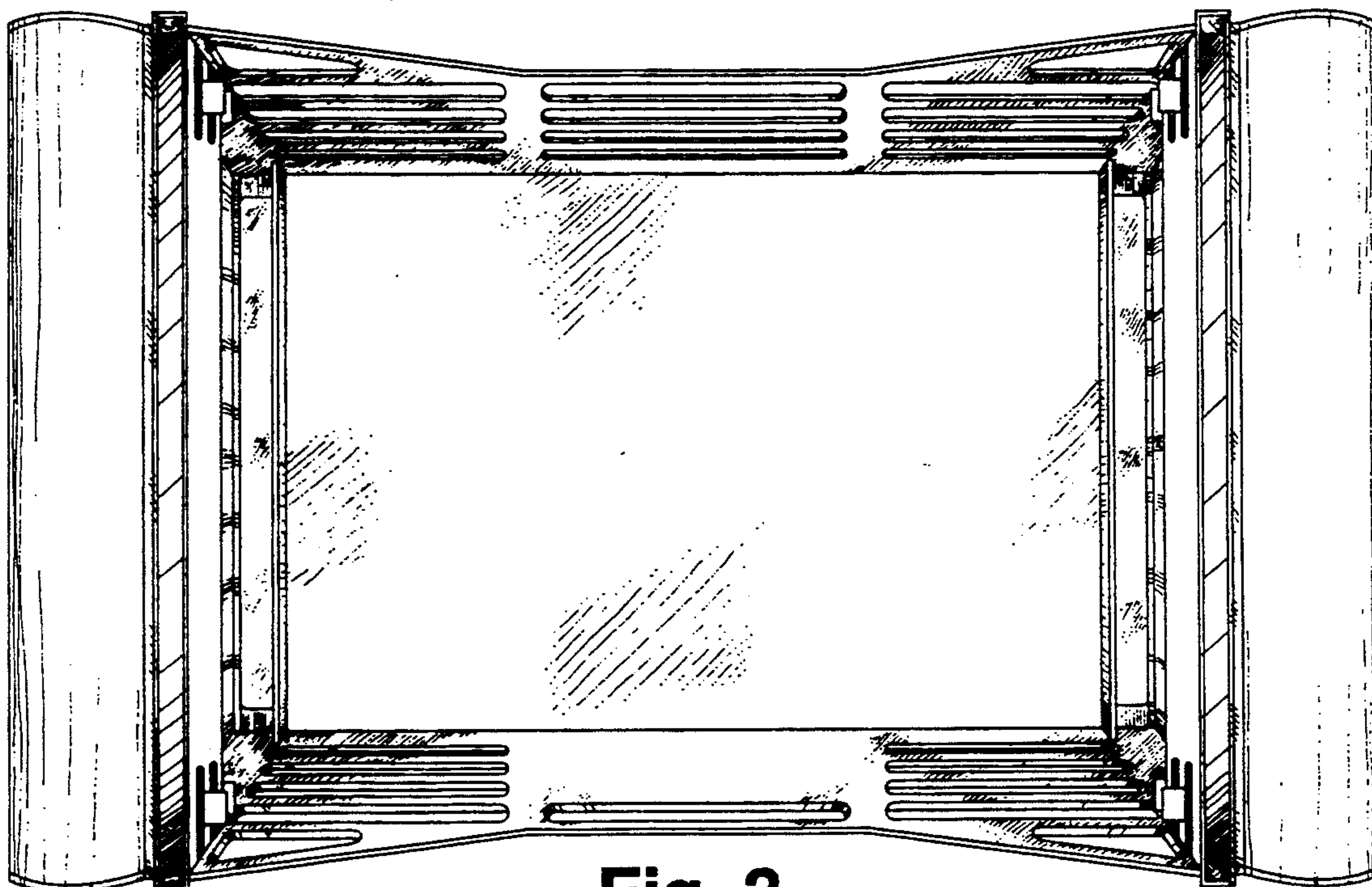


Fig. 3

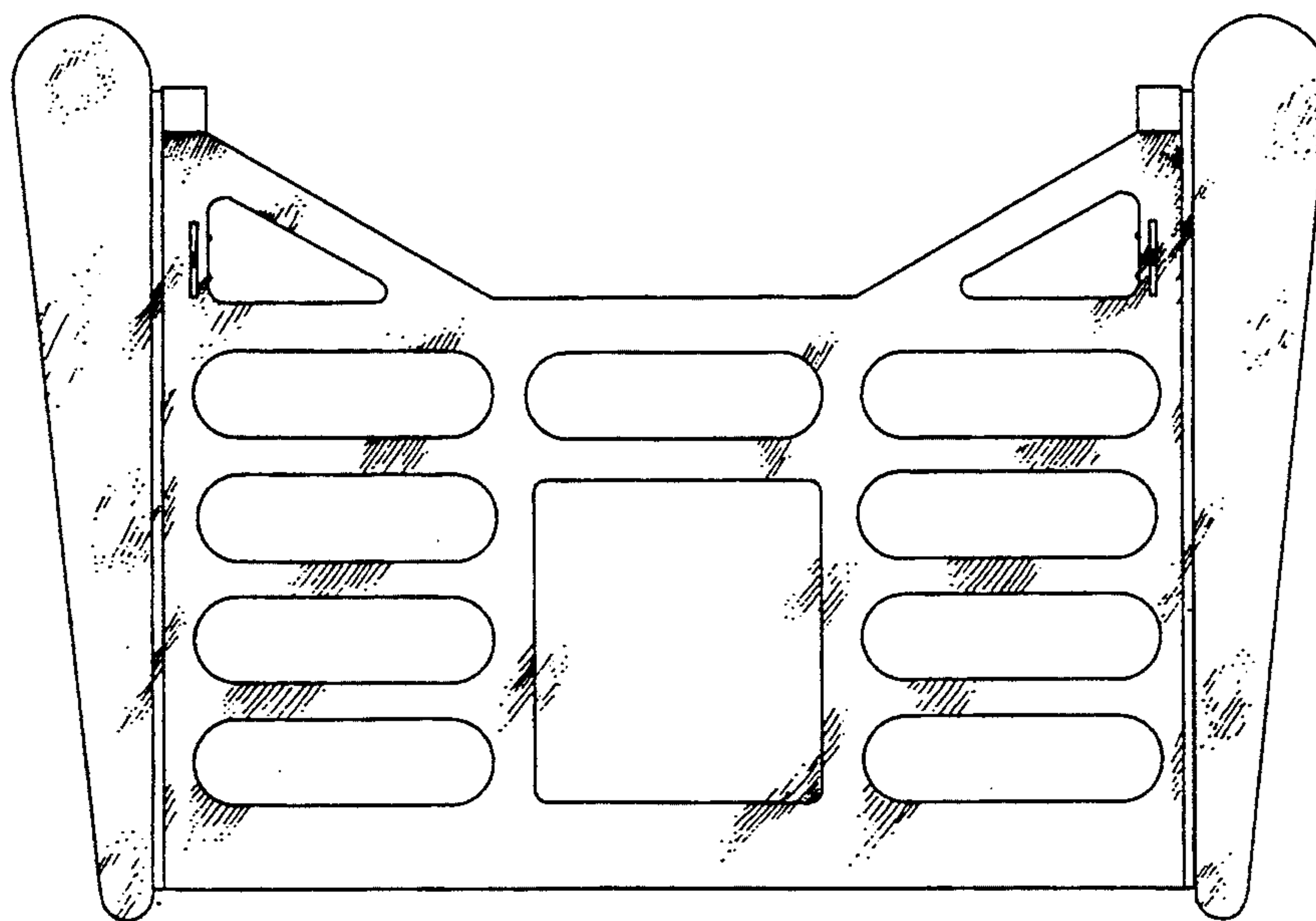
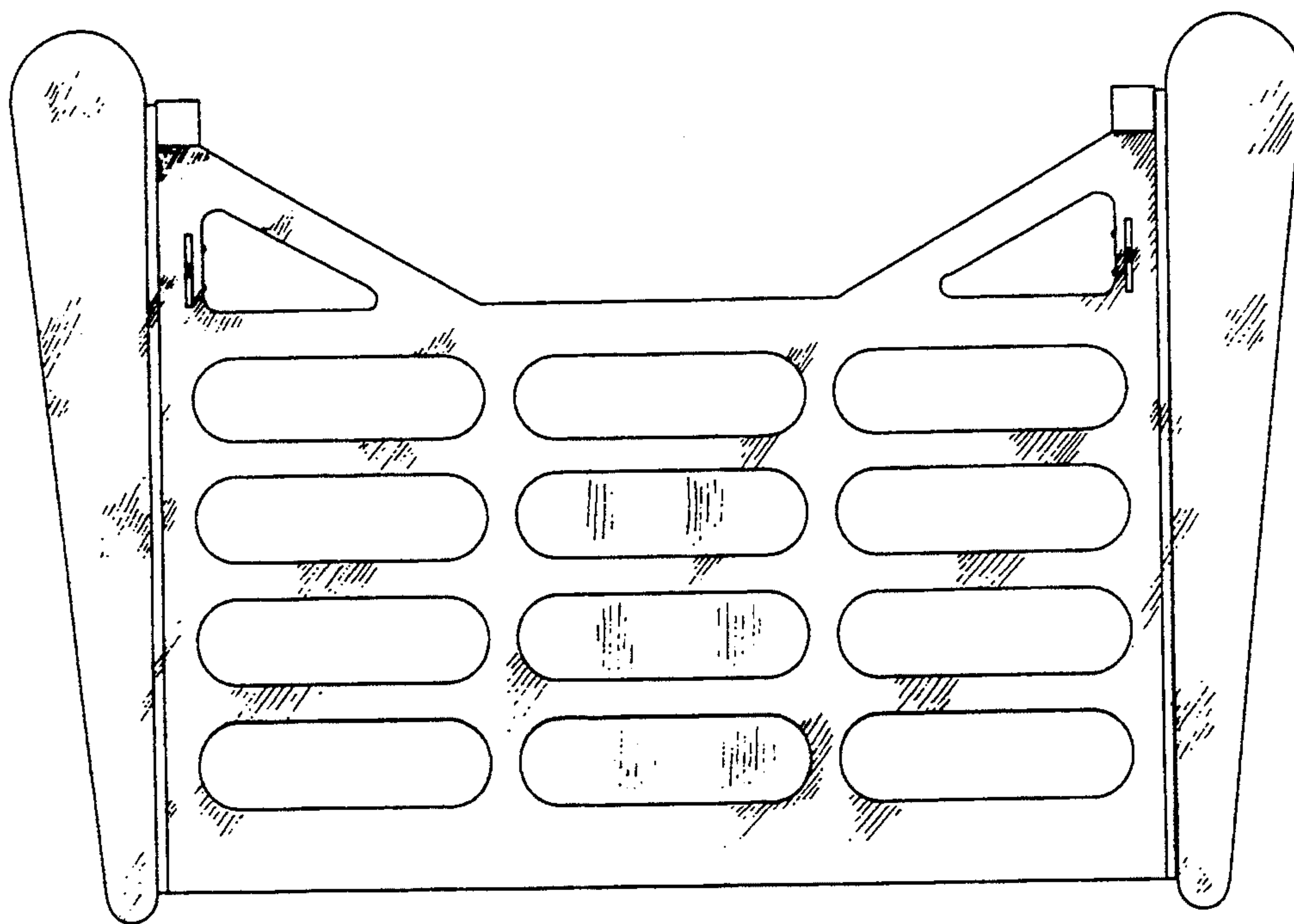
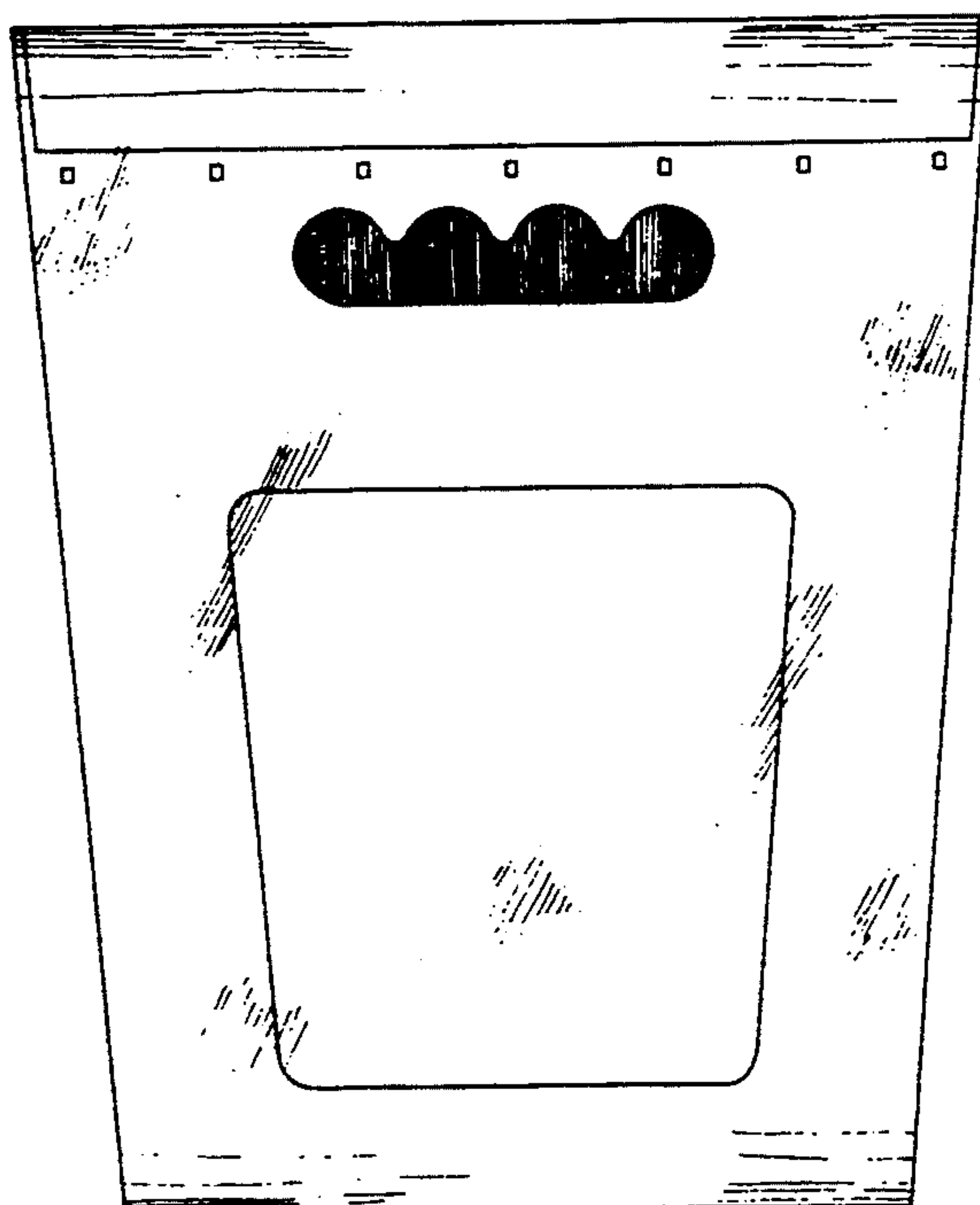


Fig. 4



**Fig. 5**



**Fig. 6**