



US00D351618S

# United States Patent [19]

[11] Patent Number: **Des. 351,618**

Troy et al.

[45] Date of Patent: **\*\* Oct. 18, 1994**

[54] **PRINTER STAND WITH PAPER RETAINERS**

[75] Inventors: **Gary J. Troy, Nottingham; Edward L. Hames, Petersborough, both of N.H.**

[73] Assignee: **Curtis Manufacturing Company, Inc., Jaffrey, N.H.**

[\*\*] Term: **14 Years**

[21] Appl. No.: **852,104**

[22] Filed: **Mar. 16, 1992**

[52] U.S. Cl. .... **D18/59; 211/50; 248/918**

[58] **Field of Search** ..... 400/691, 694, 613.2, 400/613.4; 108/41, 33; 211/13, 50; 312/208.2, 208.1, 208.4; 248/176, 670, 676, 918, 924; **D18/55, 45**

[56] **References Cited**

**U.S. PATENT DOCUMENTS**

D. 290,717	7/1987	Judd .....	D18/59
D. 290,850	7/1987	Yon et al. ....	D18/59
D. 296,217	6/1988	Drake et al. ....	D18/59
D. 303,988	10/1989	Buchweitz, Jr. et al. ....	D18/59
D. 307,598	5/1990	Judd et al. ....	D18/59
D. 313,614	1/1991	Hassel et al. ....	D18/59
D. 328,916	8/1992	Nemeth .....	D18/59
4,544,065	10/1985	Mueller .....	211/13
4,844,264	7/1989	Deskiewicz, Jr. ....	211/50
4,901,972	2/1990	Judd et al. ....	248/918
4,938,447	7/1990	Schriner .....	248/670

5,027,956	7/1991	Lotufo .....	211/50
5,040,760	8/1991	Singer .....	248/924
5,040,766	8/1991	Egly et al. ....	211/13
5,080,320	1/1992	Chieng .....	248/670
5,152,405	10/1992	Schriner .....	211/50

**FOREIGN PATENT DOCUMENTS**

0649906	6/1985	Switzerland .....	211/13
---------	--------	-------------------	--------

**OTHER PUBLICATIONS**

Service Merchandise Catalog; p. 36; item No. 3 5EPE; Epson 2-pc. Printer Stand.

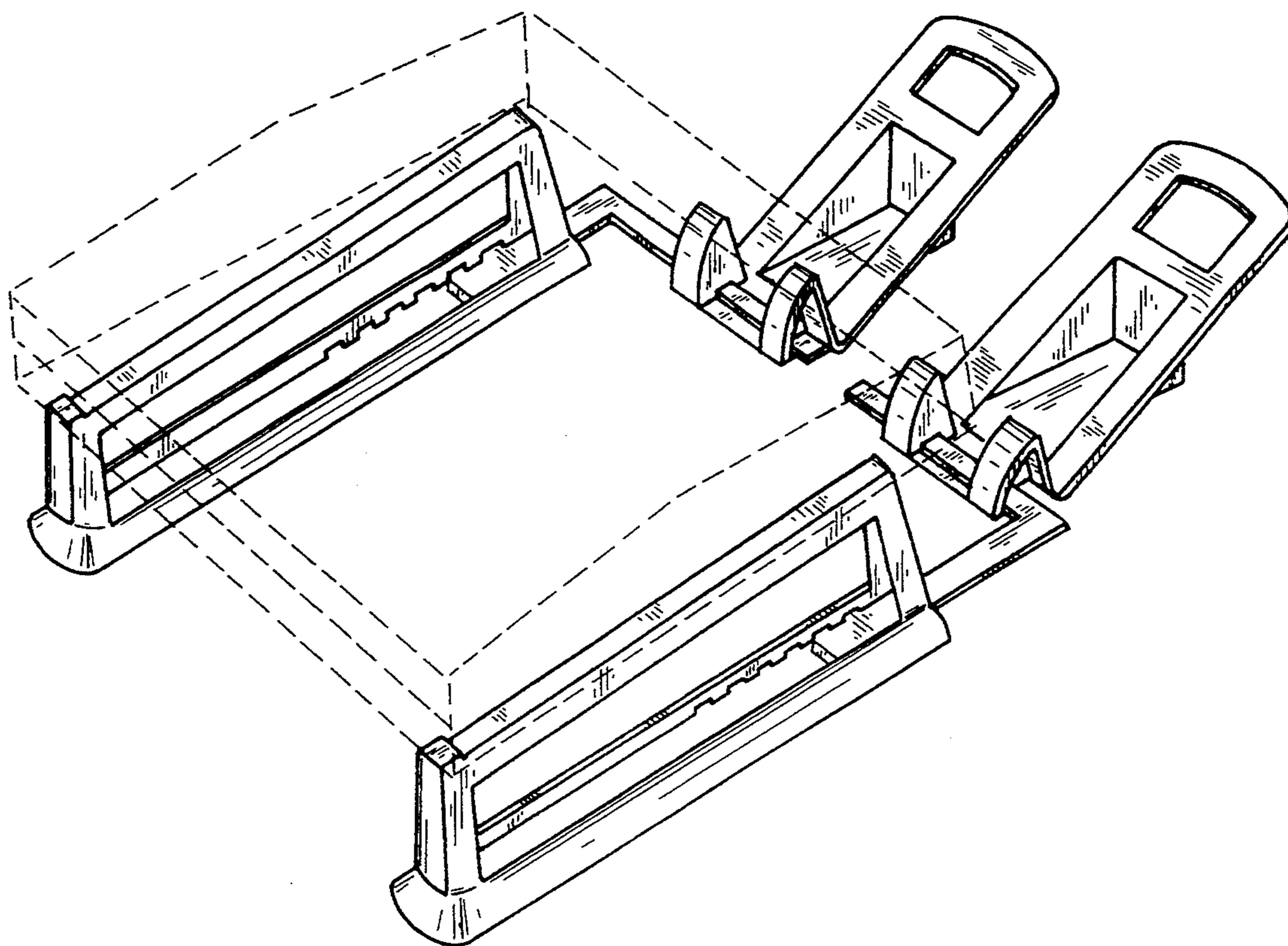
*Primary Examiner*—Cathy Anne MacCormac  
*Attorney, Agent, or Firm*—Richard P. Crowley

[57] **CLAIM**

The ornamental design for a printer stand with paper retainers, as shown and described.

**DESCRIPTION**

FIG. 1 is a perspective view from above the of printer stand with paper retainers of our invention; FIG. 2 is a side elevational view thereof; FIG. 3 is the other side elevational view thereof; FIG. 4 is a top plan view thereof; FIG. 5 is a bottom plan view thereof; FIG. 6 is a front elevational view thereof; and, FIG. 7 is a back elevational view thereof. The broken line showing of the printer is included for the purpose of illustrating environmental elements only and forms no part of the claimed invention.



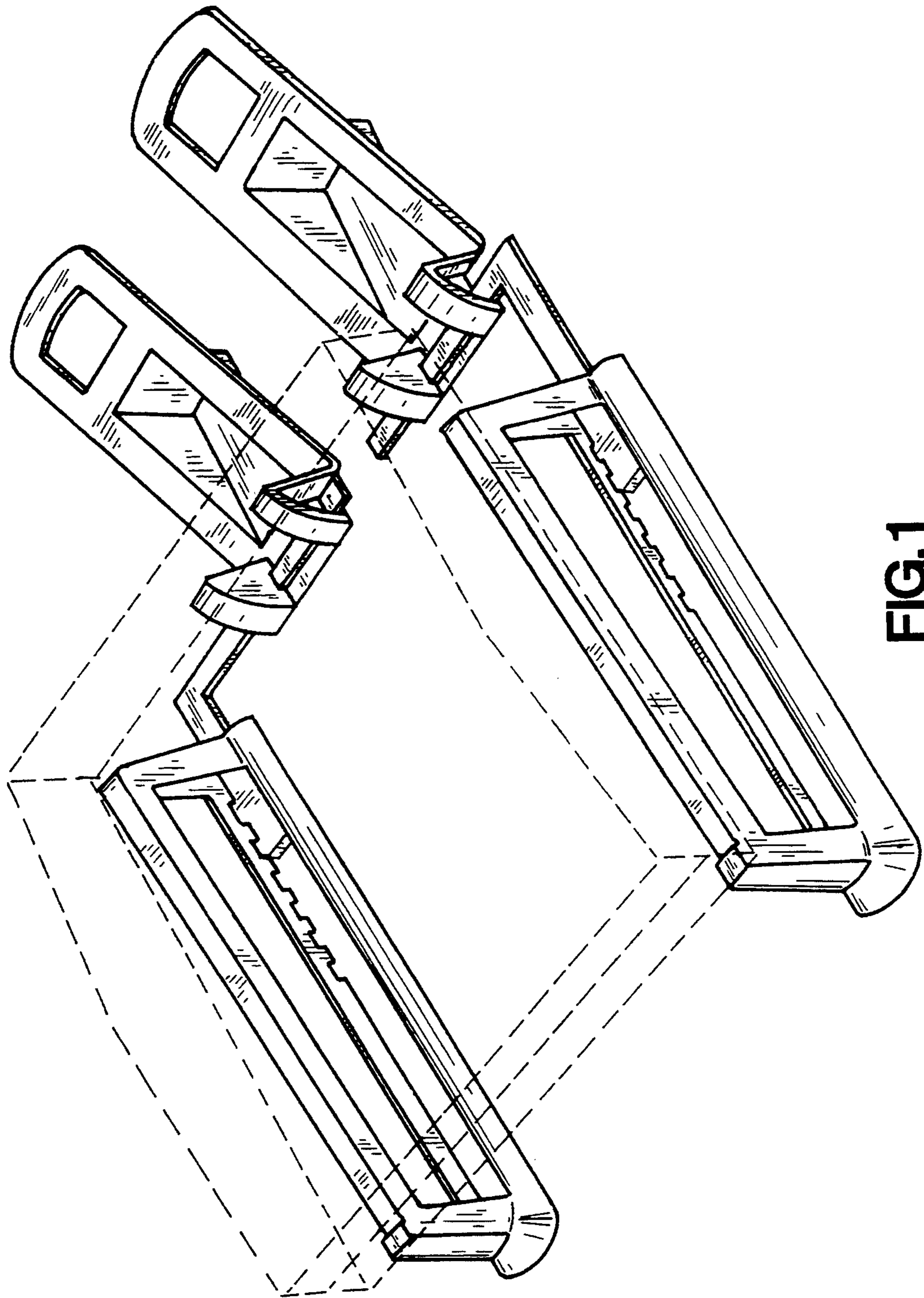


FIG. 1



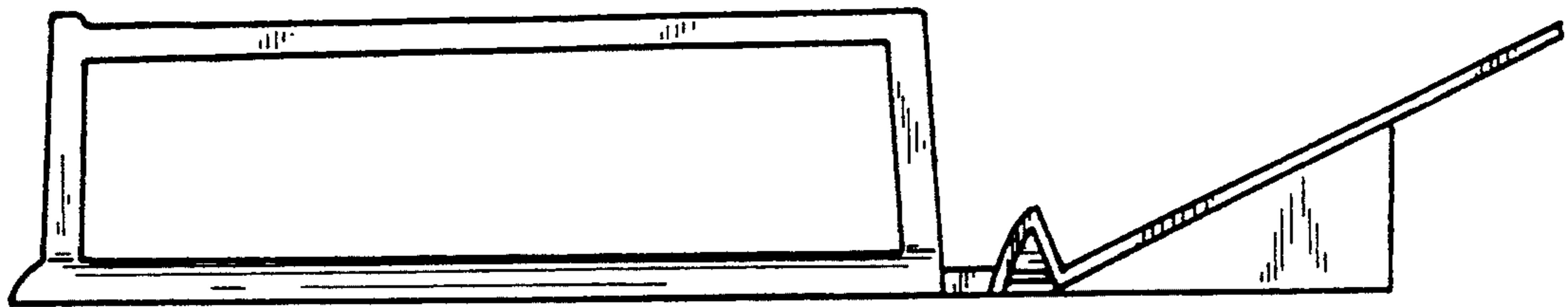


FIG. 2

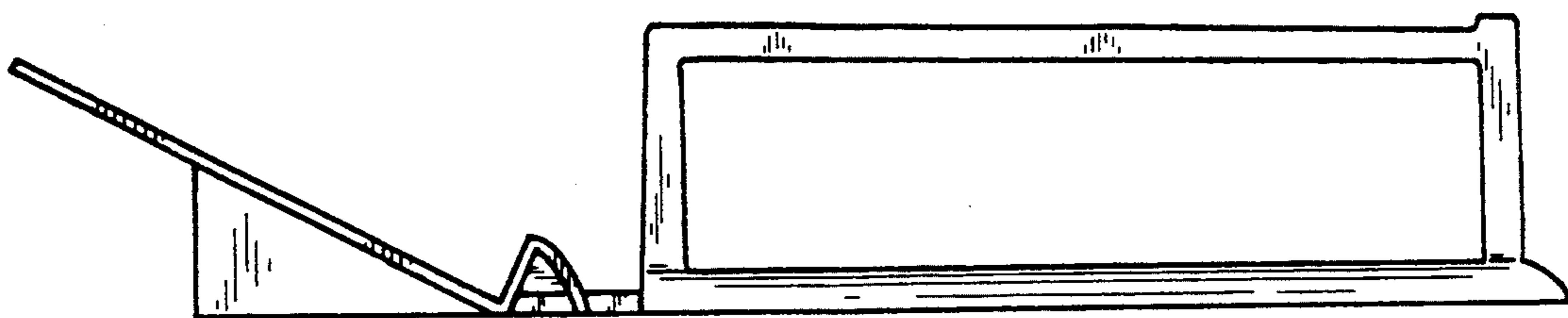


FIG. 3

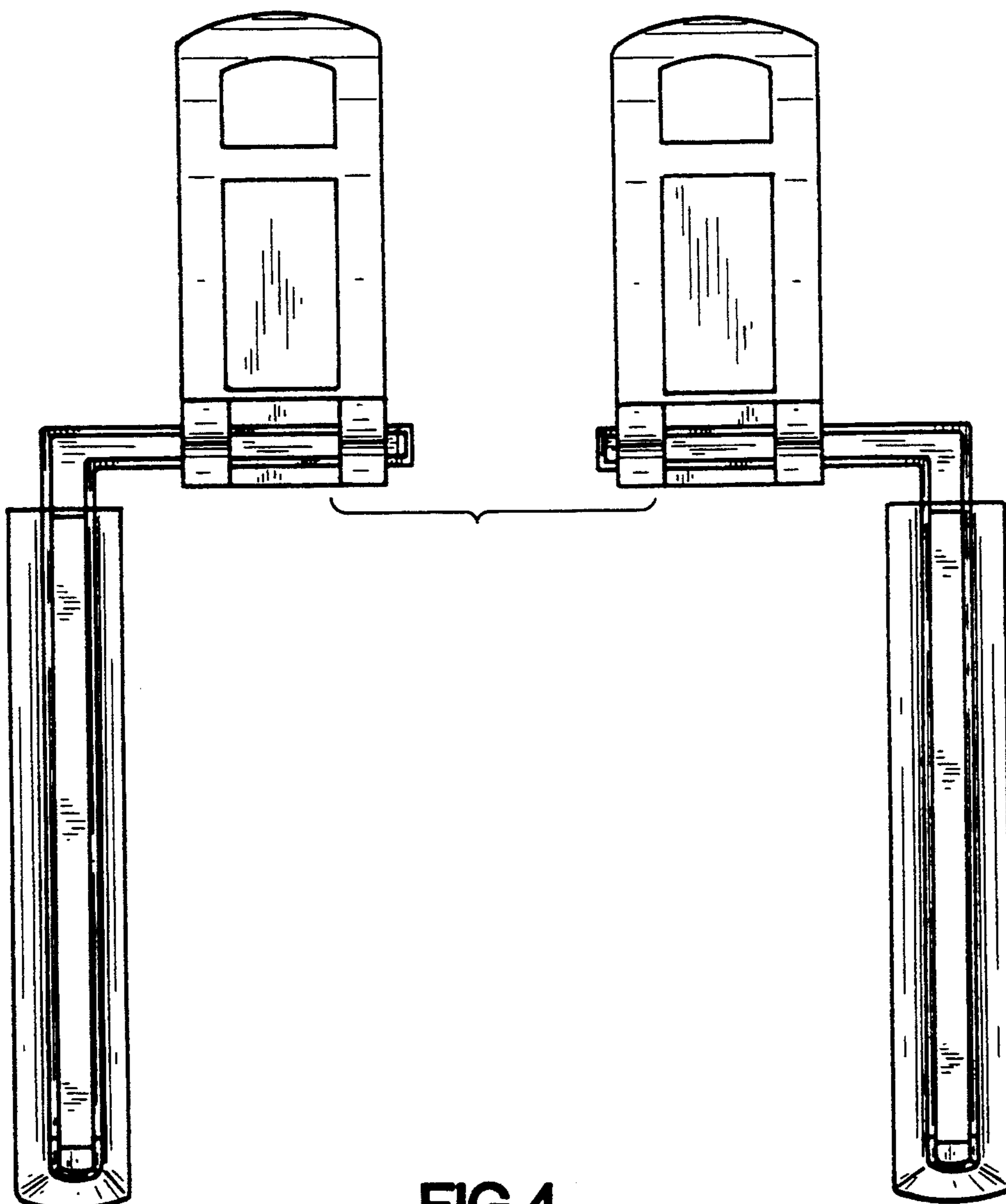


FIG. 4

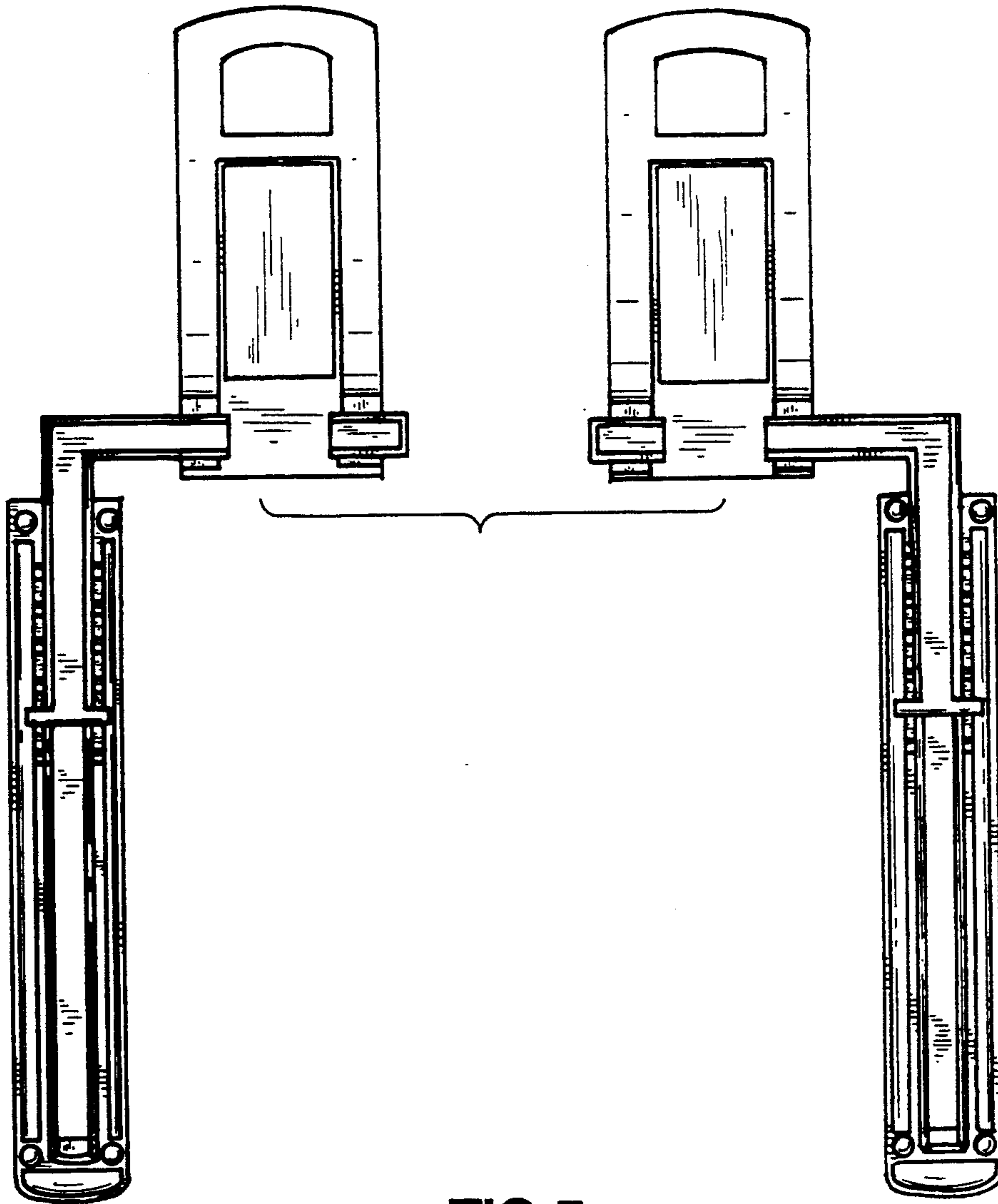


FIG. 5

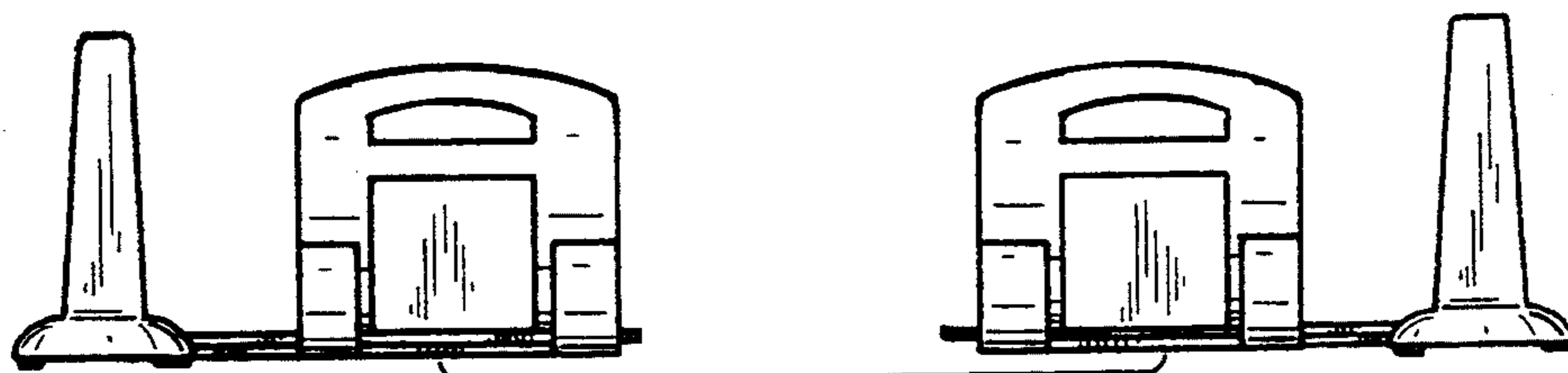


FIG. 6

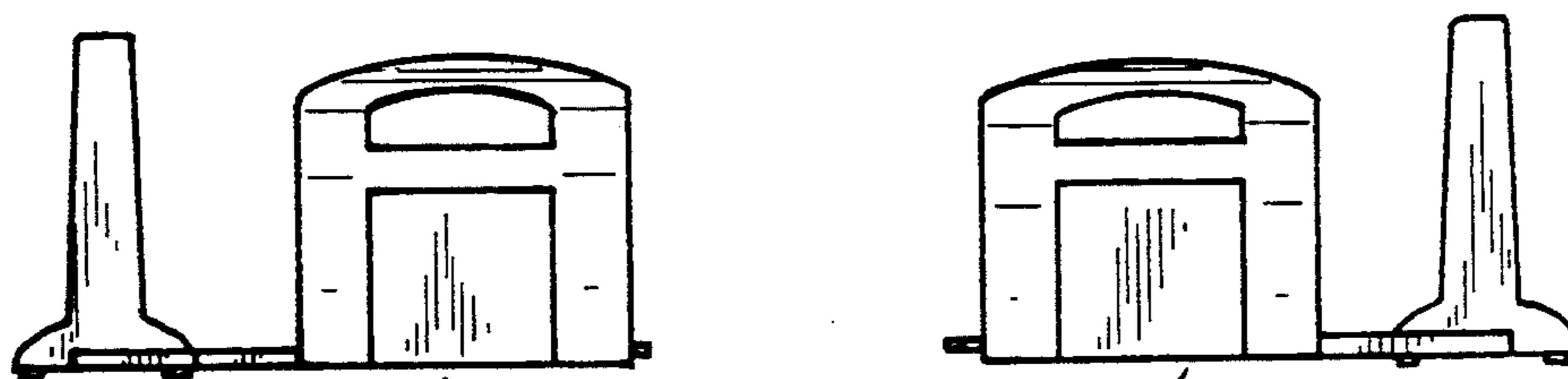


FIG. 7