



US00D351617S

United States Patent [19]

[11] Patent Number: **Des. 351,617**

Troy et al.

[45] Date of Patent: **** Oct. 18, 1994**

[54] **PRINTER SUPPORT STAND**

[75] Inventors: **Gary J. Troy**, Nottingham; **Edward L. Hames**, Peterborough, both of N.H.

[73] Assignee: **Curtis Manufacturing Company, Inc.**, Jaffrey, N.H.

[**] Term: **14 Years**

[21] Appl. No.: **847,819**

[22] Filed: **Mar. 9, 1992**

[52] U.S. Cl. **D18/59**; 211/50; 248/918

[58] **Field of Search** 248/176, 670, 676, 918, 248/924; 211/13, 50; 108/41, 33; 312/208.1, 208.2, 208.4; 400/613.2, 613.4, 691, 694; D18/59, 45

4,901,972 2/1990 Judd et al. 248/918
 4,938,447 7/1990 Schriener 248/670
 5,027,956 7/1991 Lotufo 211/50
 5,040,760 8/1991 Singer 248/924
 5,040,766 8/1991 Egly et al. 211/13
 5,080,320 1/1992 Chieng 248/670
 5,152,405 10/1992 Schriener 211/50

FOREIGN PATENT DOCUMENTS

0649906 6/1985 Switzerland 211/13

OTHER PUBLICATIONS

Service Merchandise Catalog; p. 36; item No. 3 5EPE; Epson 2-pc. Printer Stand.

Primary Examiner—Cathy Anne MacCormac
Attorney, Agent, or Firm—Richard P. Crowley

[57] CLAIM

The ornamental design for a printer support stand, as shown and described.

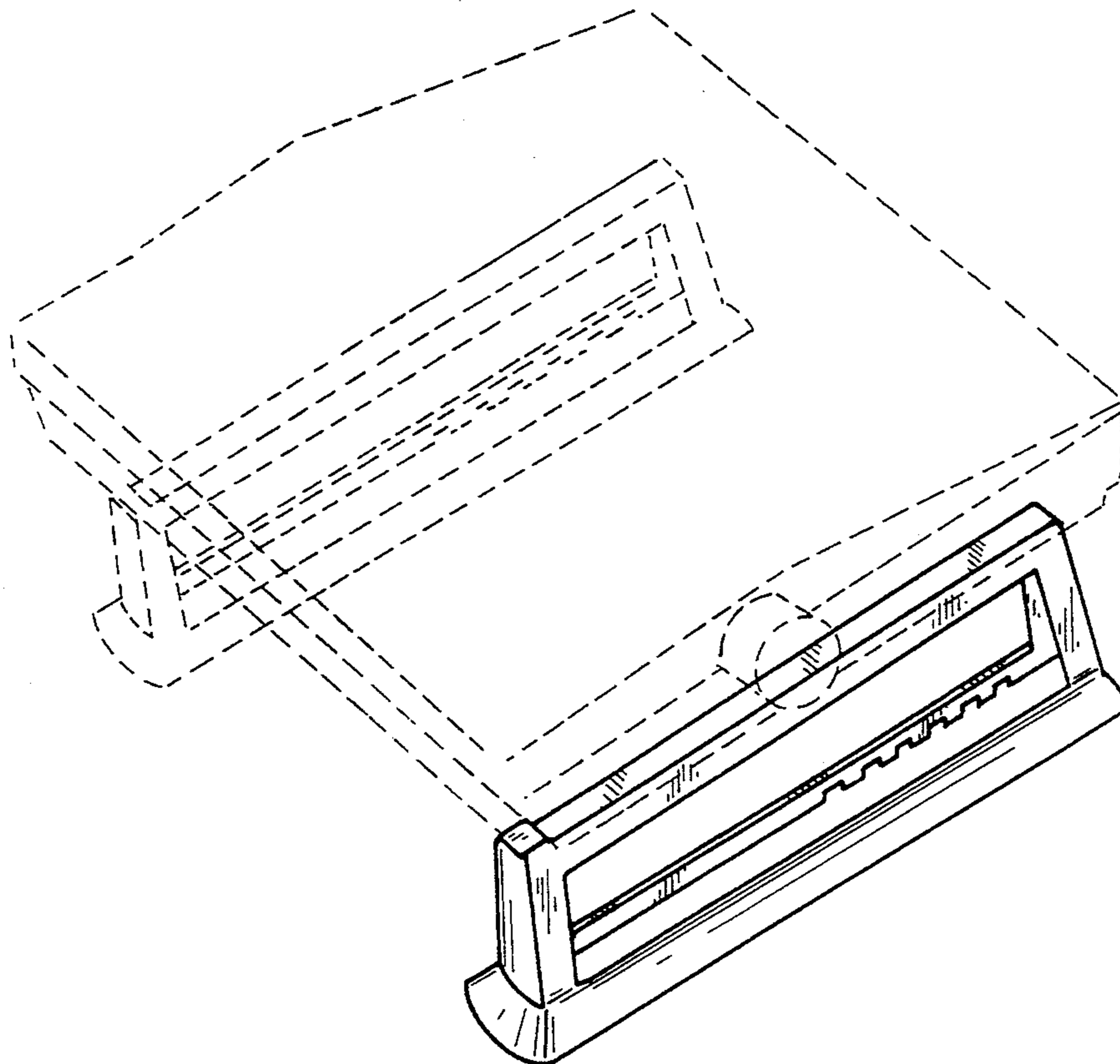
DESCRIPTION

FIG. 1 is a perspective view of a printer support stand showing our new design;
 FIG. 2 is a side elevational view thereof, the opposite side being a mirror image of the side shown;
 FIG. 3 is a top plan view thereof;
 FIG. 4 is a bottom plan view thereof;
 FIG. 5 is a front elevational view of one end thereof; and,
 FIG. 6 is a rear elevational view thereof.

[56] References Cited

U.S. PATENT DOCUMENTS

D. 290,717 7/1987 Judd D18/59
 D. 290,850 7/1987 Yon et al. D18/59
 D. 296,217 6/1988 Drake et al. D18/59
 D. 303,988 10/1989 Buchweitz, Jr. et al. D18/59
 D. 307,598 5/1990 Judd et al. D18/59
 D. 313,614 1/1991 Hassel et al. D18/59
 D. 328,916 8/1992 Nemeth D18/59
 4,544,065 10/1985 Mueller 211/13
 4,844,264 7/1989 Deskiwicz, Jr. 211/50



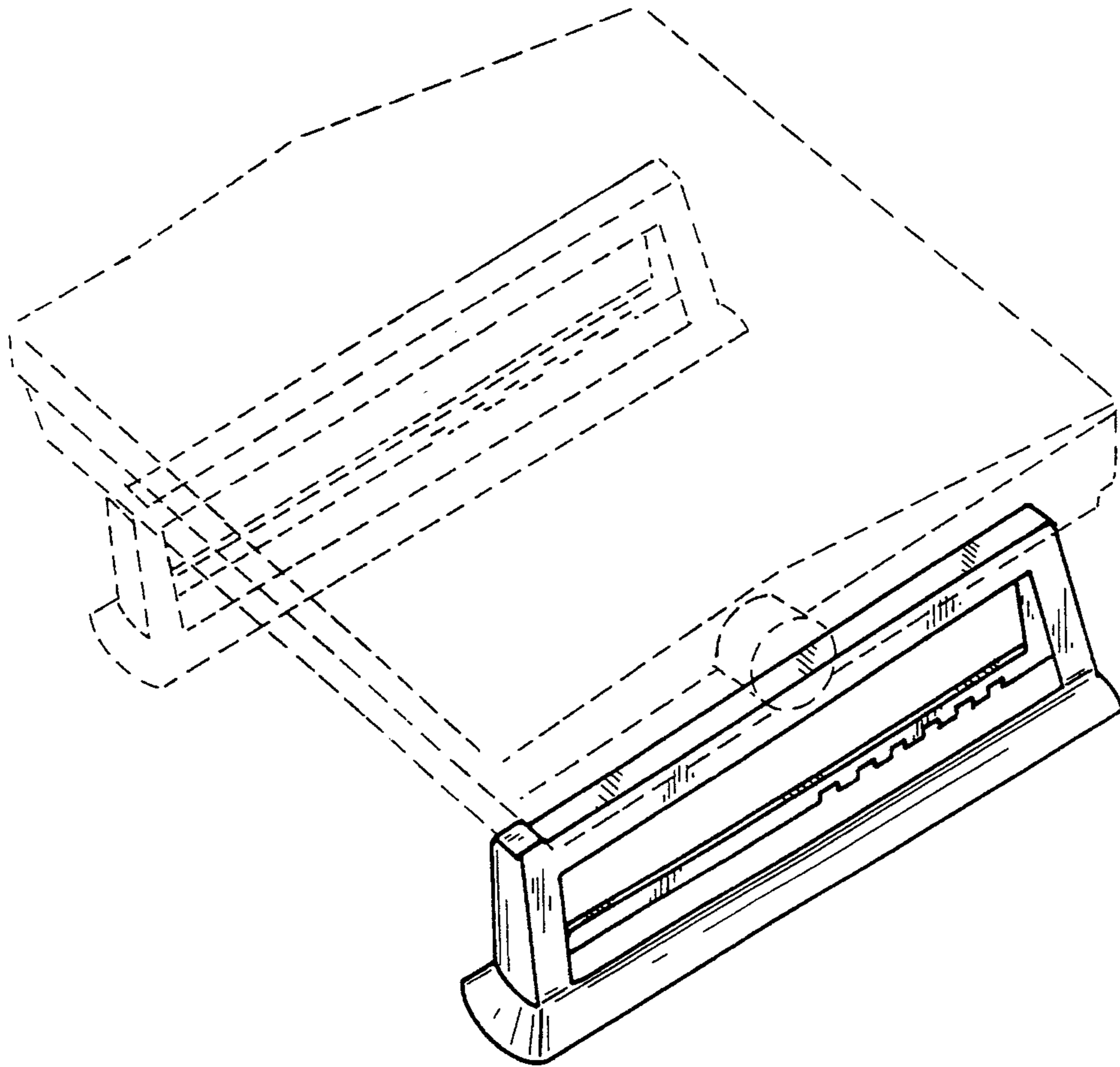


FIG. 1

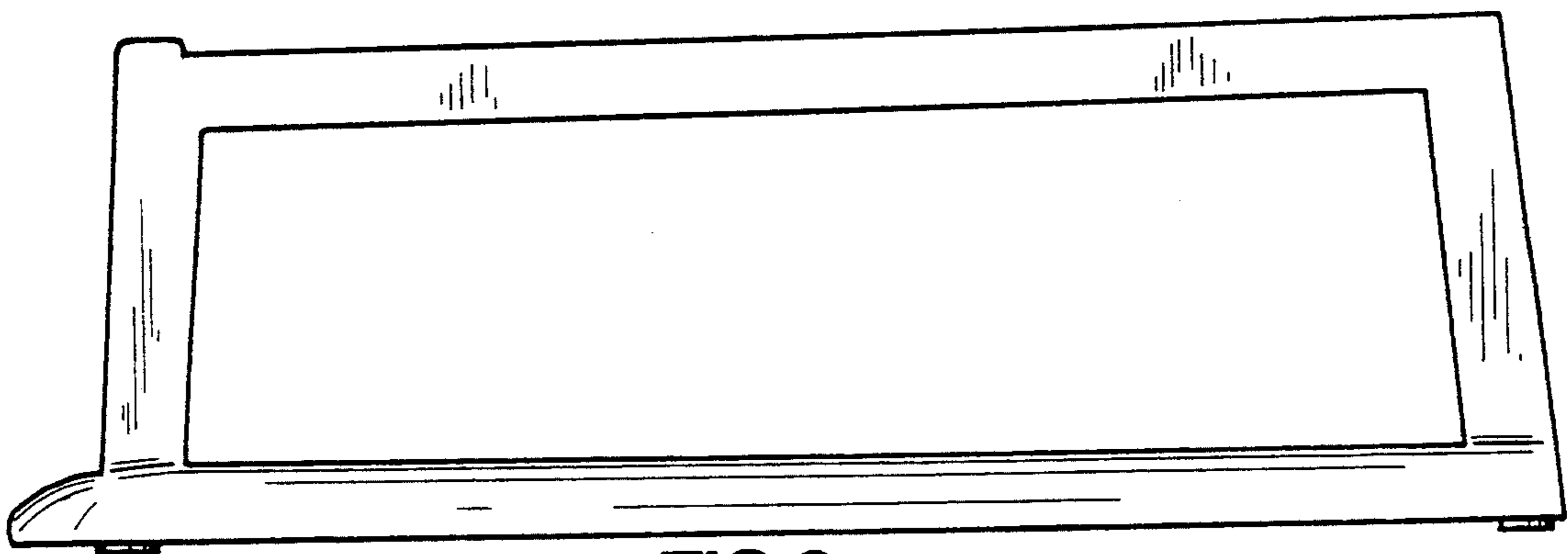


FIG. 2

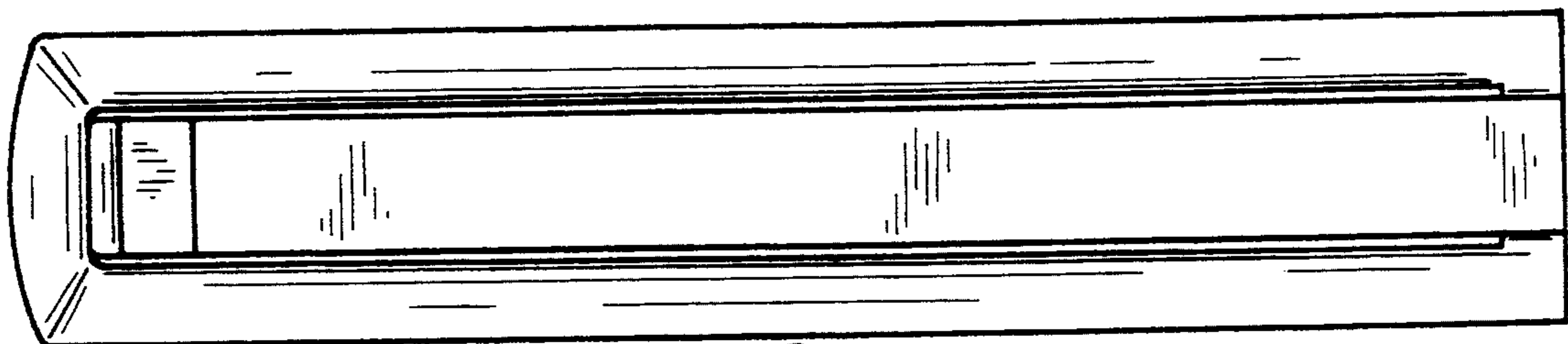


FIG. 3

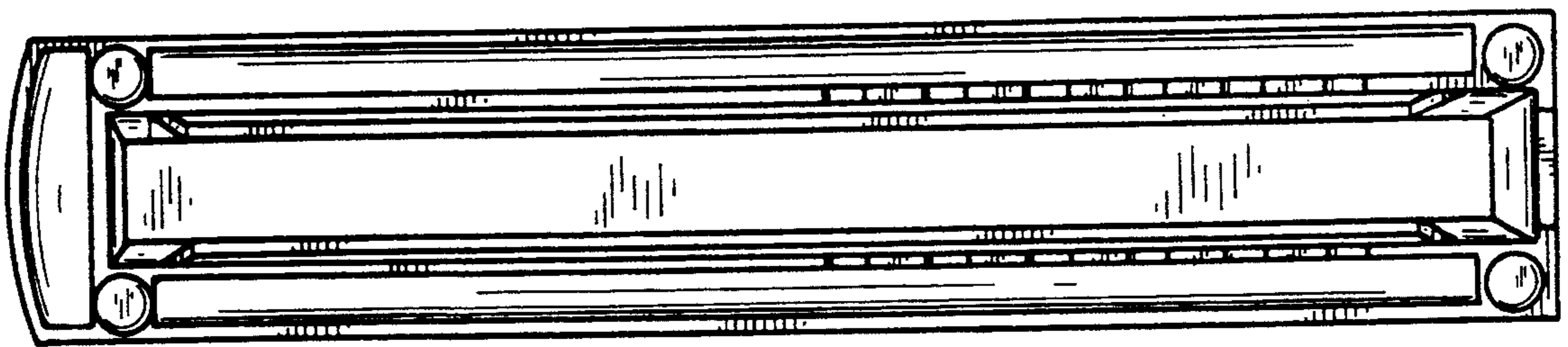


FIG. 4

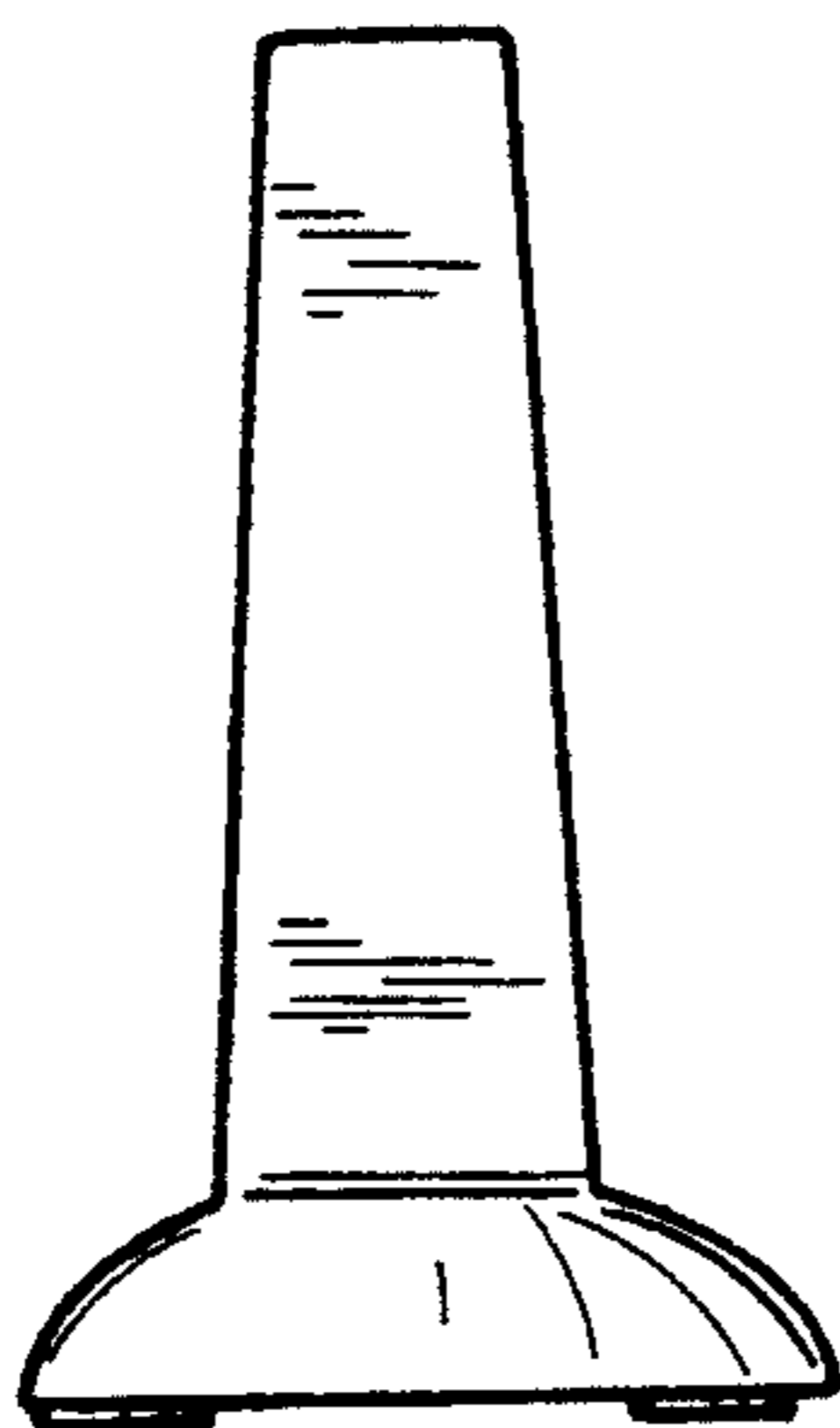


FIG. 5

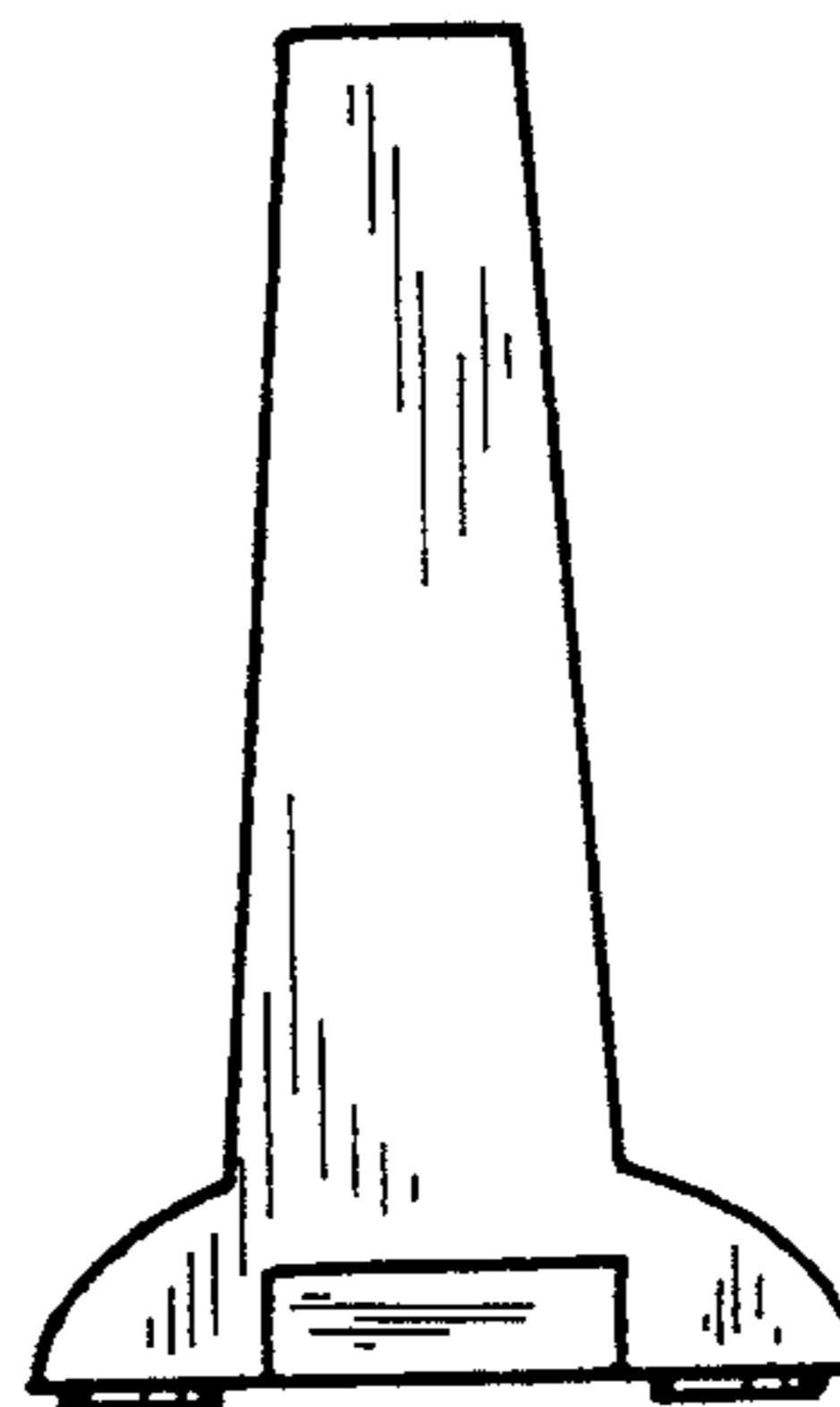


FIG. 6