



US00D351616S

# United States Patent [19]

[11] Patent Number: **Des. 351,616**

Troy et al.

[45] Date of Patent: **\*\* Oct. 18, 1994**

[54] **PRINTER STAND WITH PAPER RETAINER**

[75] Inventors: **Gary J. Troy, Nottingham; Edward L. Hames, Peterborough, both of N.H.**

[73] Assignee: **Curtis Manufacturing Company, Inc., Jaffrey, N.H.**

[\*\*] Term: **14 Years**

[21] Appl. No.: **851,865**

[22] Filed: **Mar. 16, 1992**

[52] U.S. Cl. .... **D18/56; 211/50; 248/918**

[58] Field of Search ..... 248/176, 670, 676, 918, 248/924; 211/13, 50; 108/41, 33; 400/691, 694, 613.2, 613.4; 312/208.1-208.2, 208.4; D18/59, 45

5,027,956	7/1991	Lotufo .....	211/50
5,040,760	8/1991	Singer .....	248/924
5,040,766	8/1991	Egly et al. ....	211/13
5,080,320	1/1992	Chieng .....	248/670
5,152,405	10/1992	Schriner .....	211/50

**FOREIGN PATENT DOCUMENTS**

0649906 6/1985 Switzerland ..... 211/13

**OTHER PUBLICATIONS**

Service Merchandise Catalog, p. 36; item No. 3 5EPE; Epson 2-pc. Printer Stand.

*Primary Examiner*—Cathy Anne MacCormac  
*Attorney, Agent, or Firm*—Richard P. Crowley

[57] **CLAIM**

The ornamental design for a printer stand with paper retainer, as shown and described.

**DESCRIPTION**

FIG. 1 is a perspective view from above the the printer stand with paper retainer of our invention. The broken line showing of the printer is included for the purpose of illustrating environmental elements only and forms no part of the claimed invention;

FIG. 2 is a side elevational view thereof;

FIG. 3 is the other side elevational view thereof of FIG. 2;

FIG. 4 is a top plan view thereof of FIG. 2;

FIG. 5 is a bottom plan view thereof of FIG. 2;

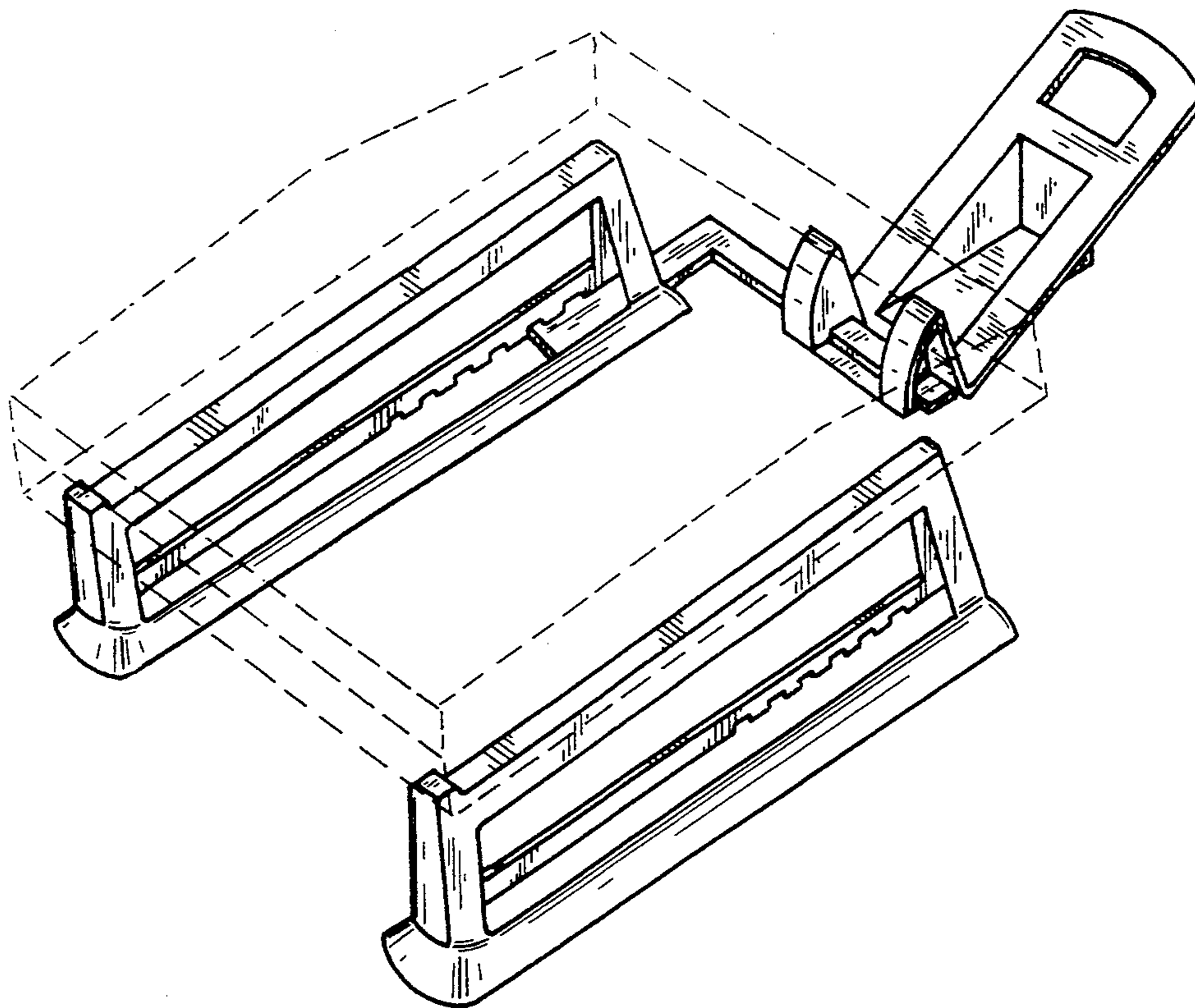
FIG. 6 is a front elevational view thereof of FIG. 2; and,

FIG. 7 is a back elevational view thereof of FIG. 2.

[56] **References Cited**

**U.S. PATENT DOCUMENTS**

D. 290,717	7/1987	Judd .....	D18/59
D. 290,850	7/1987	Yon et al. ....	D18/59
D. 296,217	6/1988	Drake et al. ....	D18/59
D. 303,988	10/1989	Buchweitz, Jr. et al. ....	D18/59
D. 307,598	5/1990	Judd et al. ....	D18/59
D. 313,614	1/1991	Hassel et al. ....	D18/59
D. 328,916	8/1992	Nemeth .....	D18/59
4,544,065	10/1985	Mueller .....	211/13
4,844,264	7/1989	Deskiewicz, Jr. ....	211/50
4,901,972	2/1990	Judd et al. ....	248/918
4,938,447	7/1990	Schriner .....	248/670



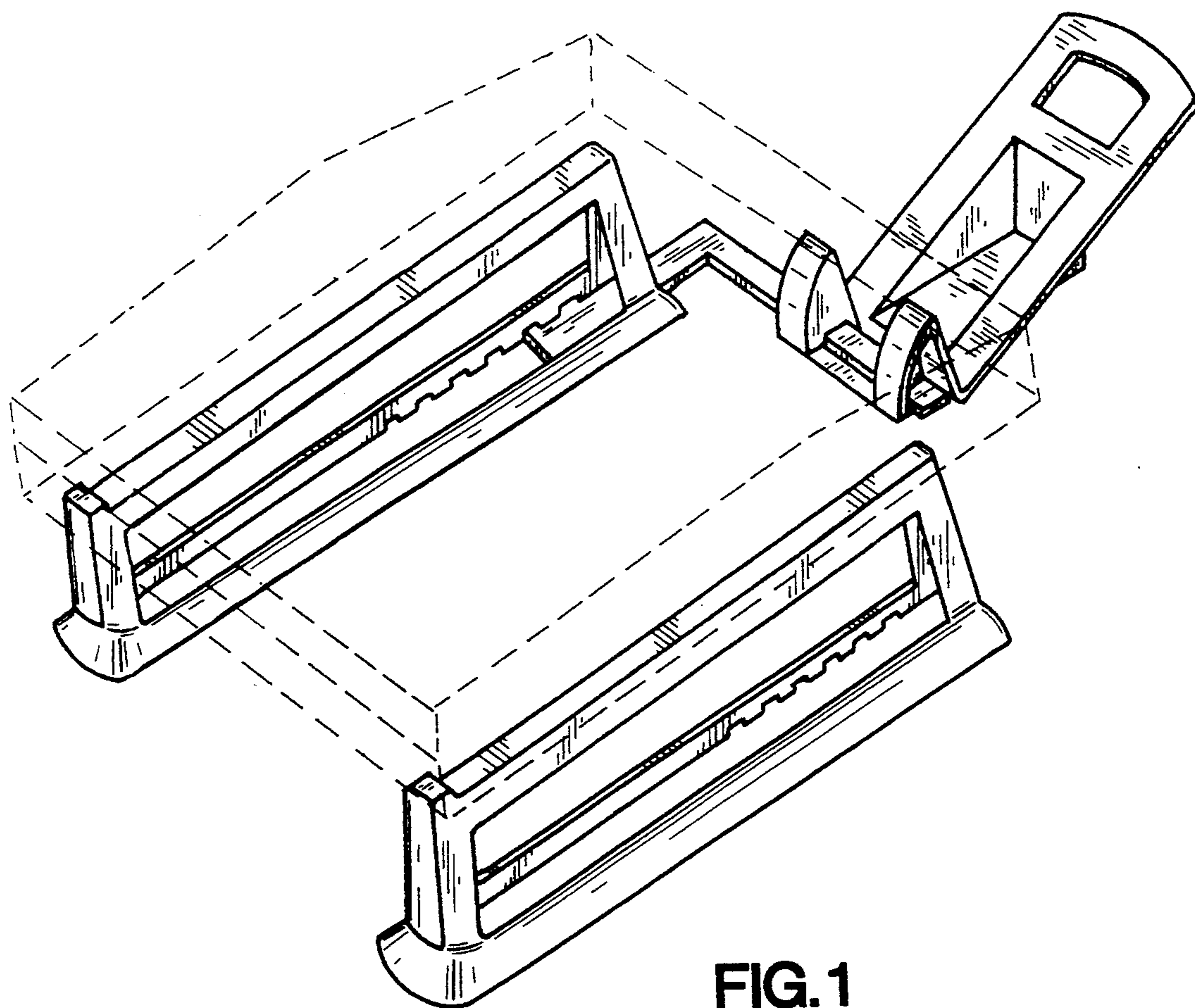


FIG. 1

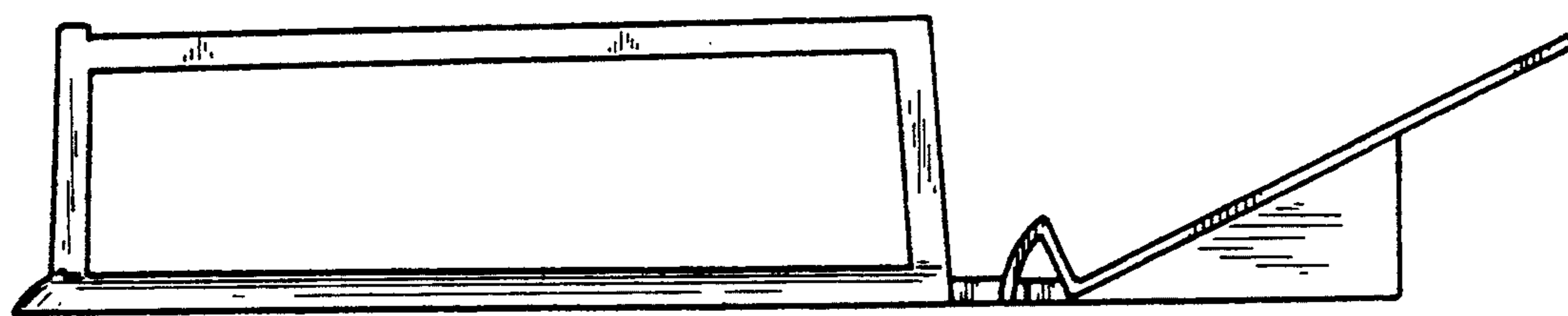


FIG. 2

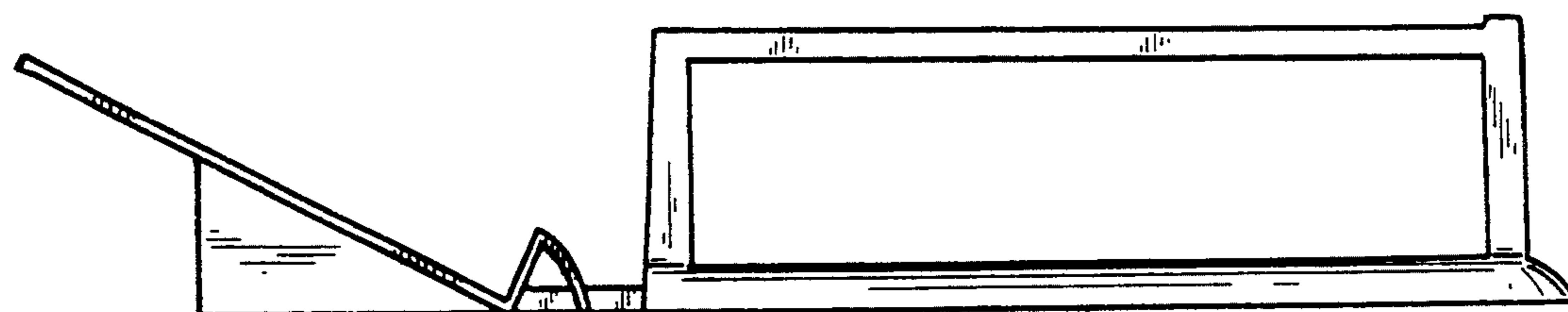


FIG. 3



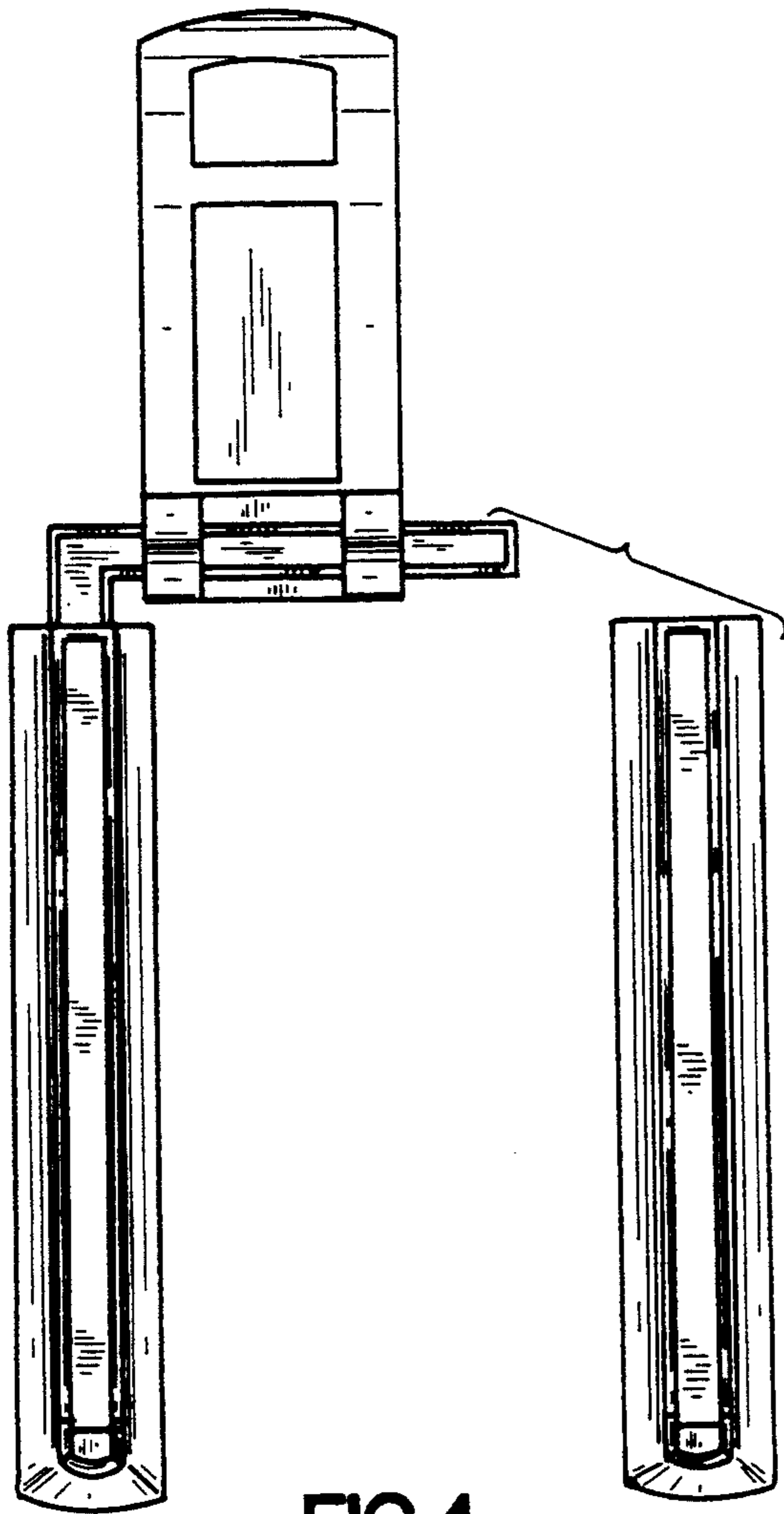


FIG. 4

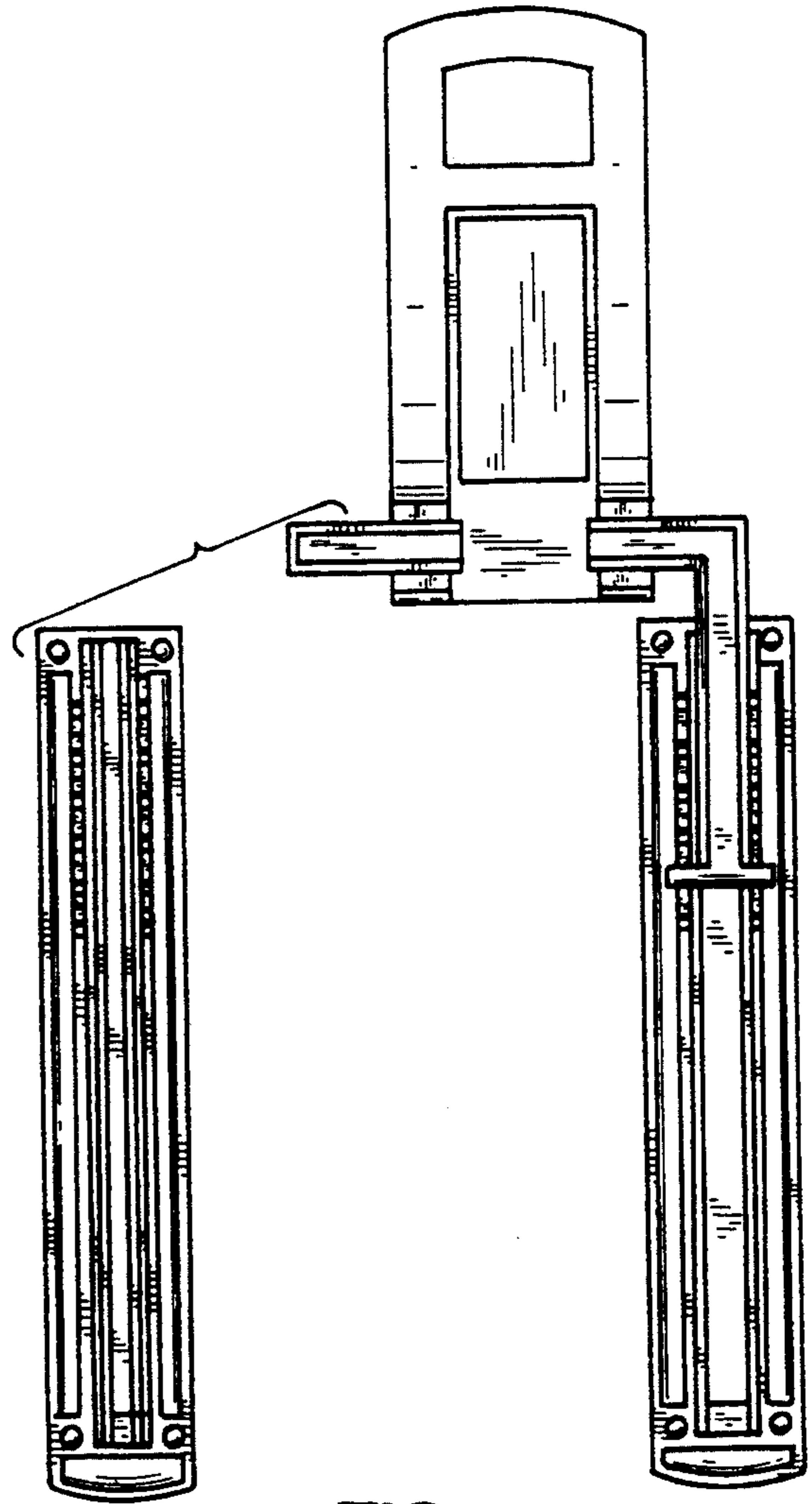


FIG. 5

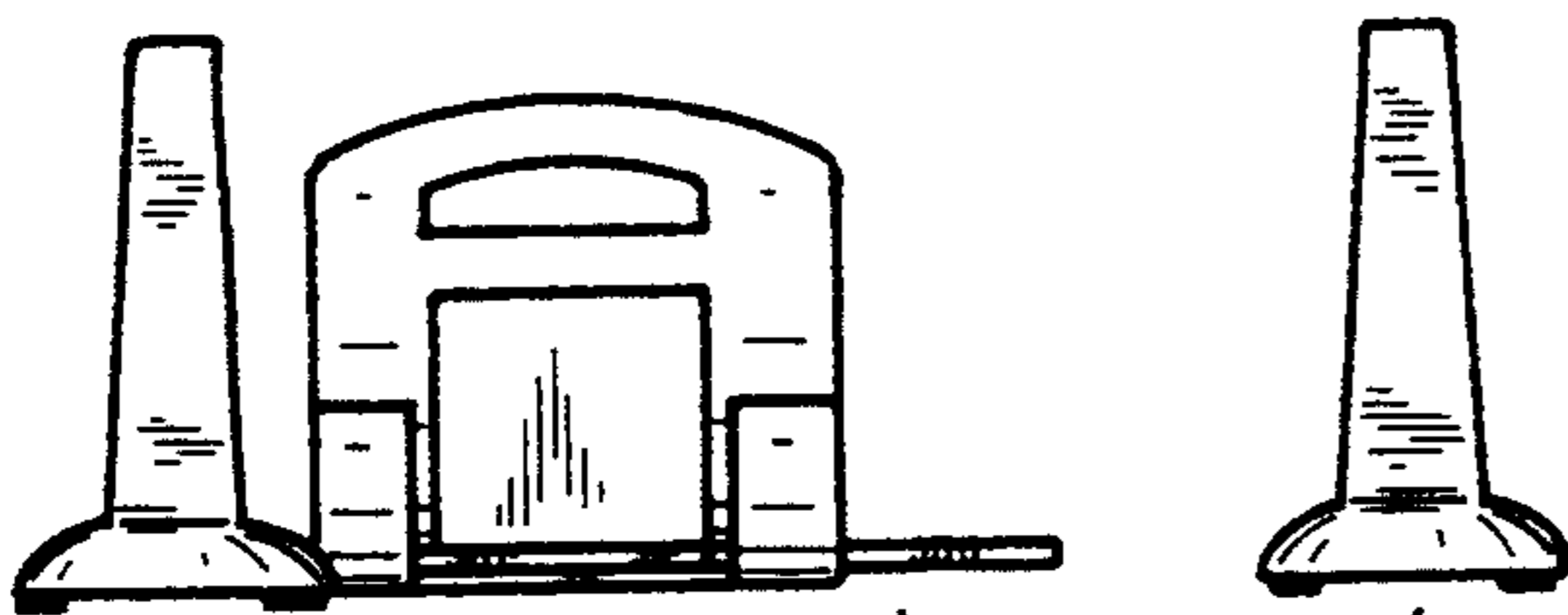


FIG. 6

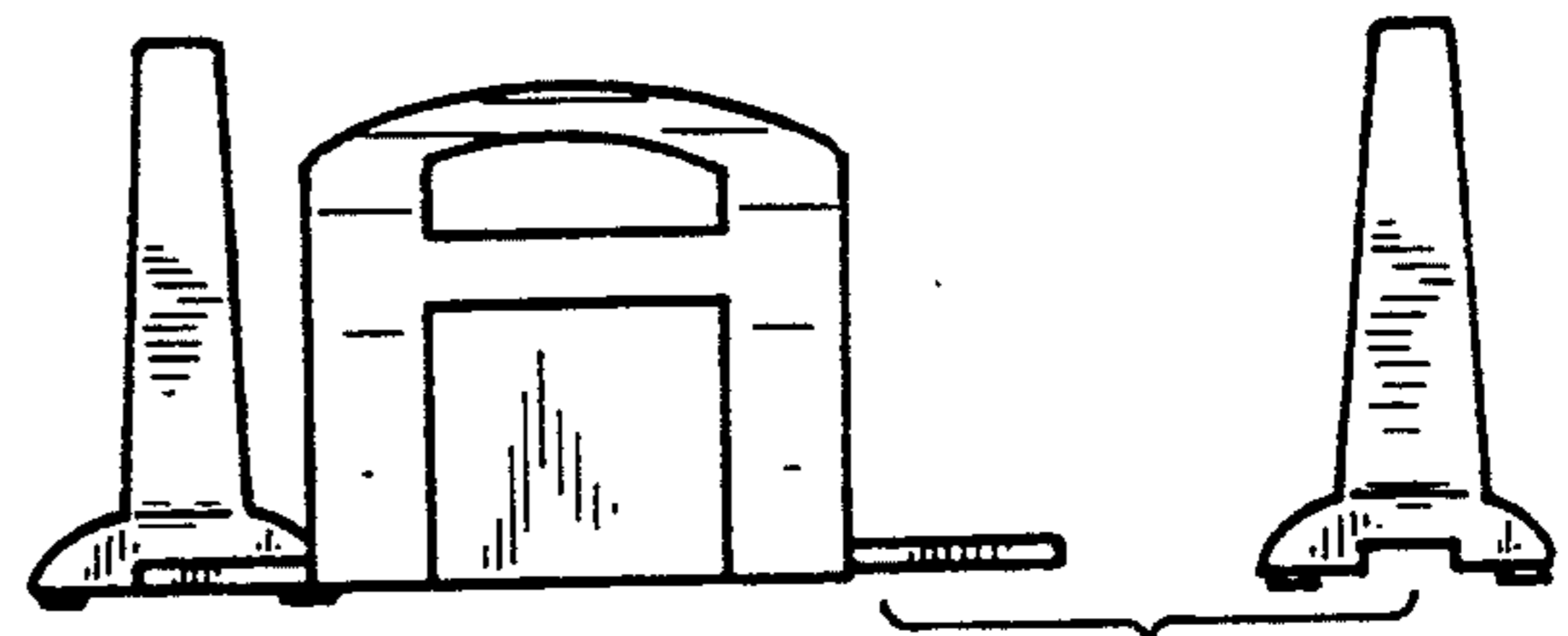


FIG. 7