



US00D351608S

United States Patent [19]

[11] Patent Number: **Des. 351,608**

Cox

[45] Date of Patent: **** Oct. 18, 1994**

[54] INDUSTRIAL CATALYTIC CONVERTER

[75] Inventor: **Douglas E. Cox, Tulsa, Okla.**

[73] Assignee: **Miratech Corporation, Tulsa, Okla.**

[**] Term: **14 Years**

[21] Appl. No.: **8,113**

[22] Filed: **May 7, 1993**

[52] U.S. Cl. **D15/199**

[58] Field of Search **60/295, 299, 301;
422/177, 179, 180, 190, 193; D10/83, 85, 86;
D15/199**

[56] **References Cited**

U.S. PATENT DOCUMENTS

D. 278,316 4/1985 Bengtson D10/96

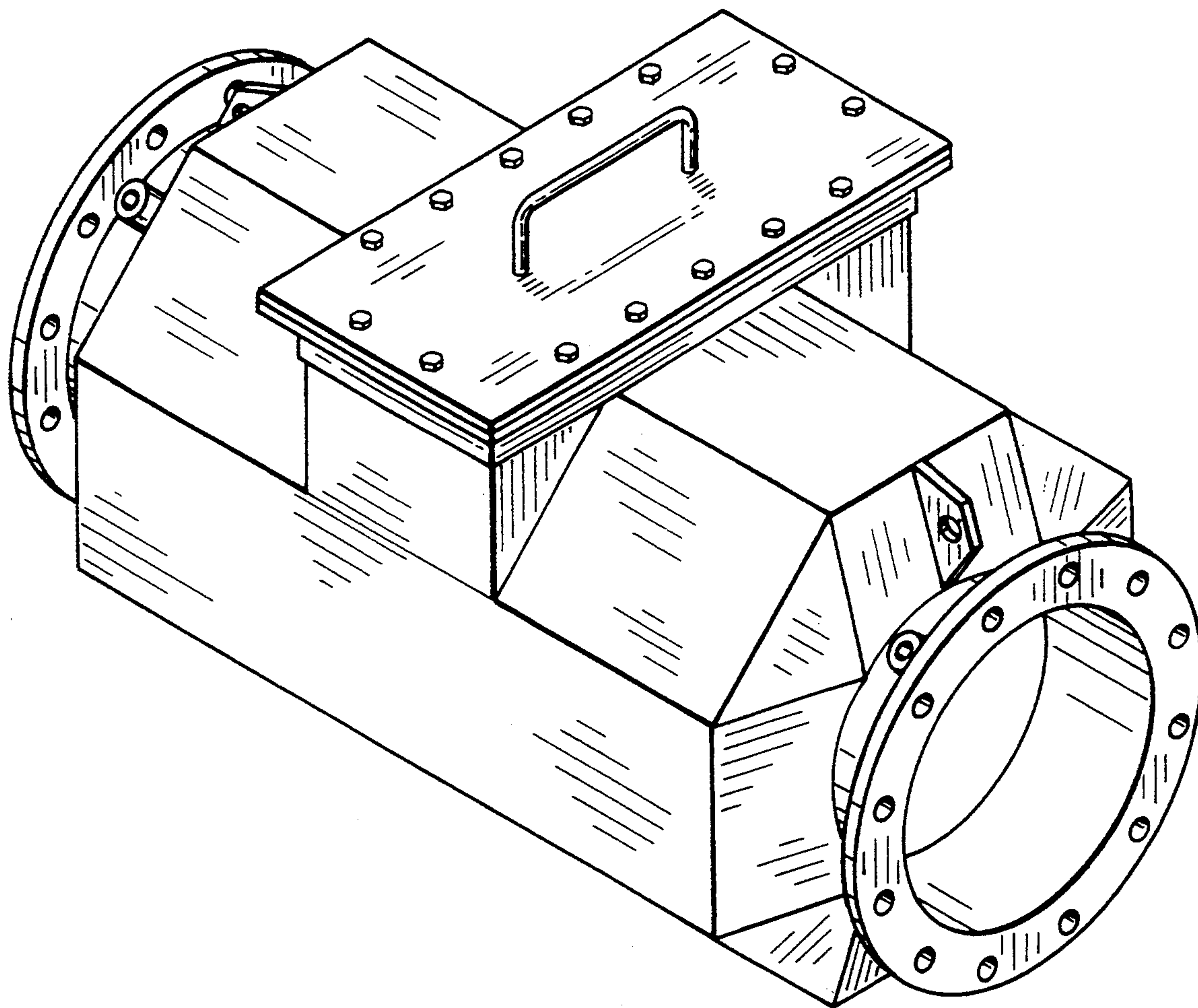
Primary Examiner—Nelson C. Holtje
Assistant Examiner—Antoine D. Davis
Attorney, Agent, or Firm—Head and Johnson

[57] **CLAIM**

The ornamental design for an industrial catalytic converter, as shown and described.

DESCRIPTION

FIG. 1 is an isometric projection view of my design showing my industrial catalytic converter; FIG. 2 is a front elevational view of my design; FIG. 3 is a top plan view thereof; FIG. 4 is a right-side elevational view thereof, the left-side elevational view being identical thereto; FIG. 5 is a rear elevational view thereof; and, FIG. 6 is a bottom plan view thereof.



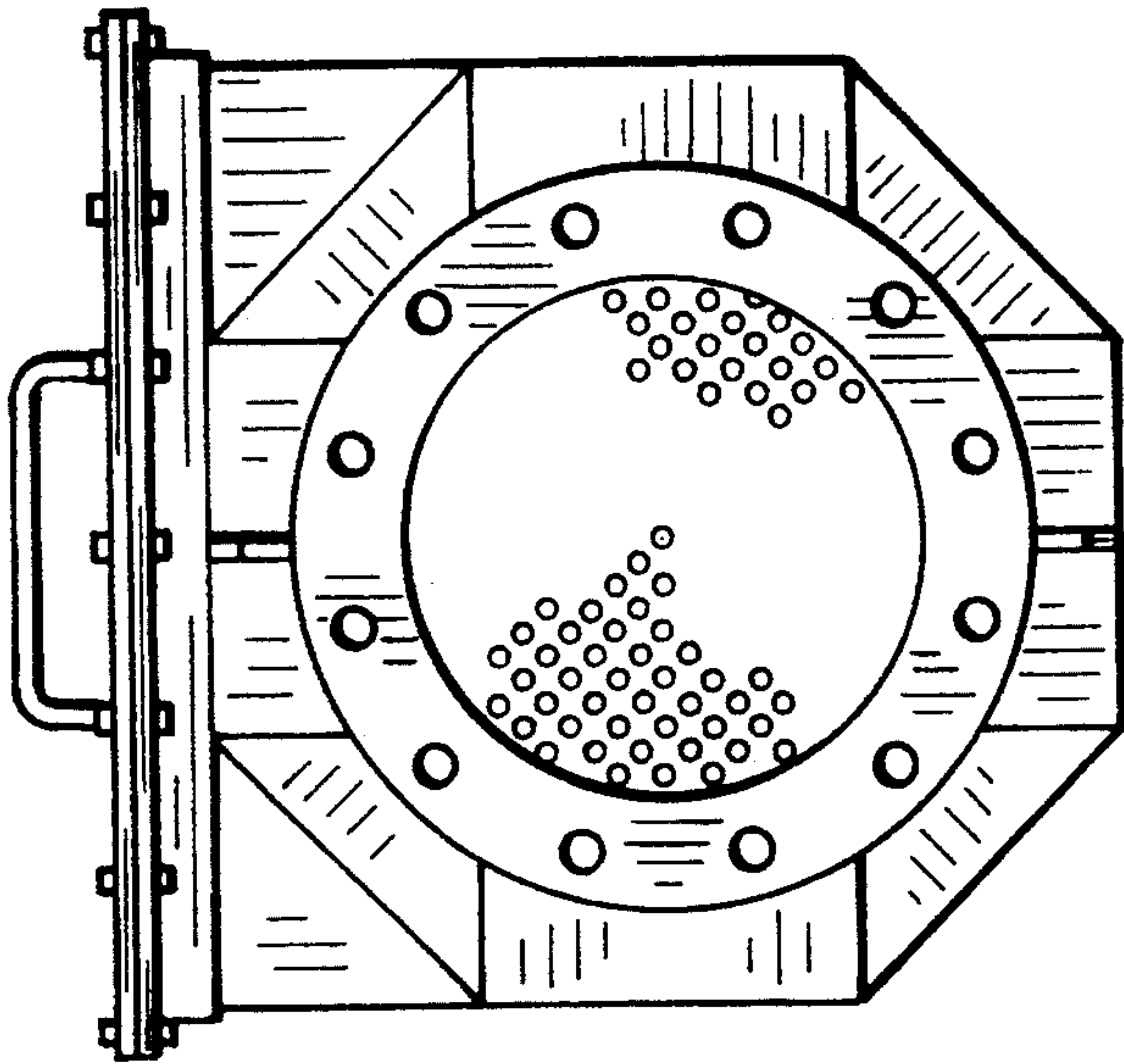


Fig. 4

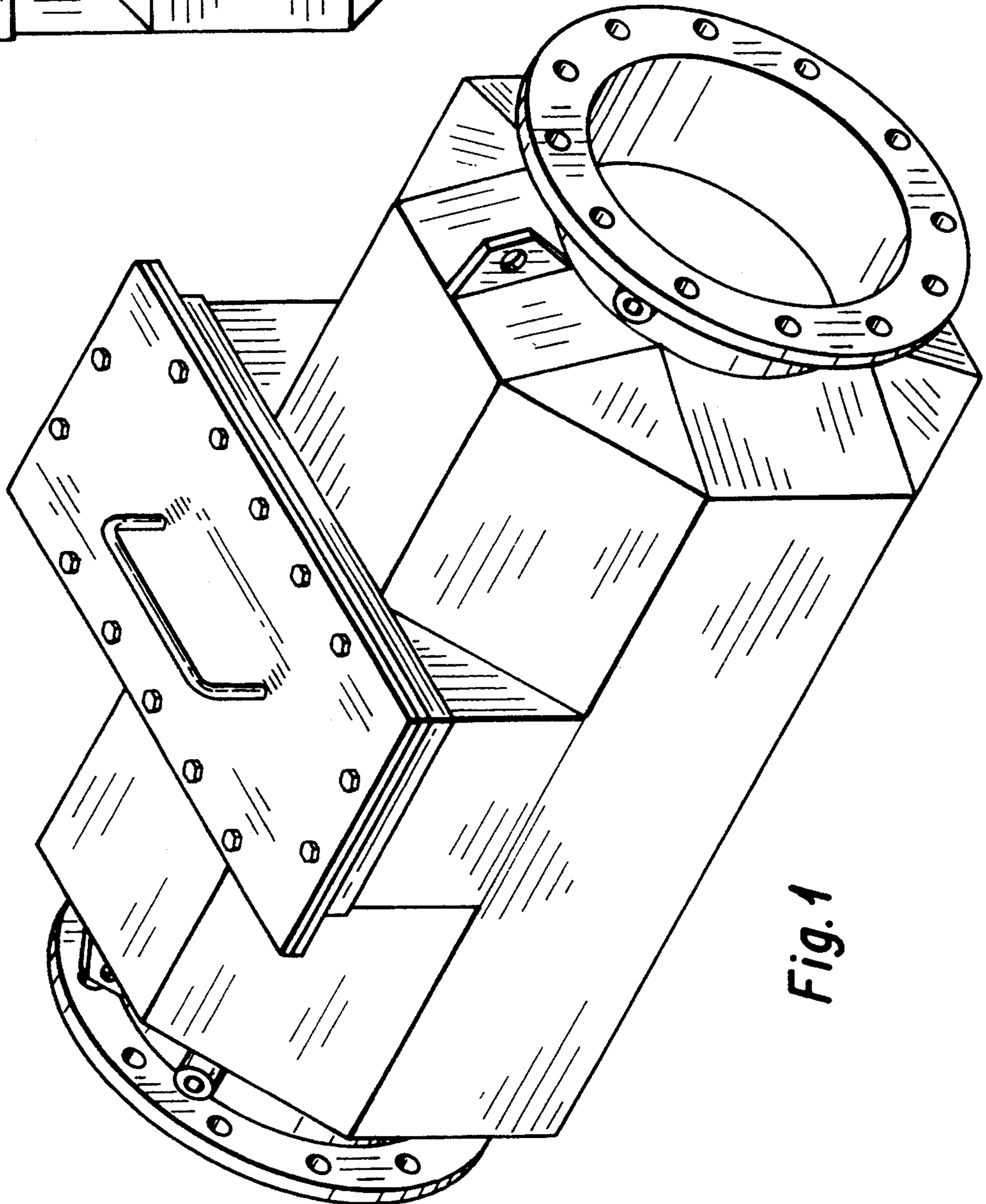


Fig. 1

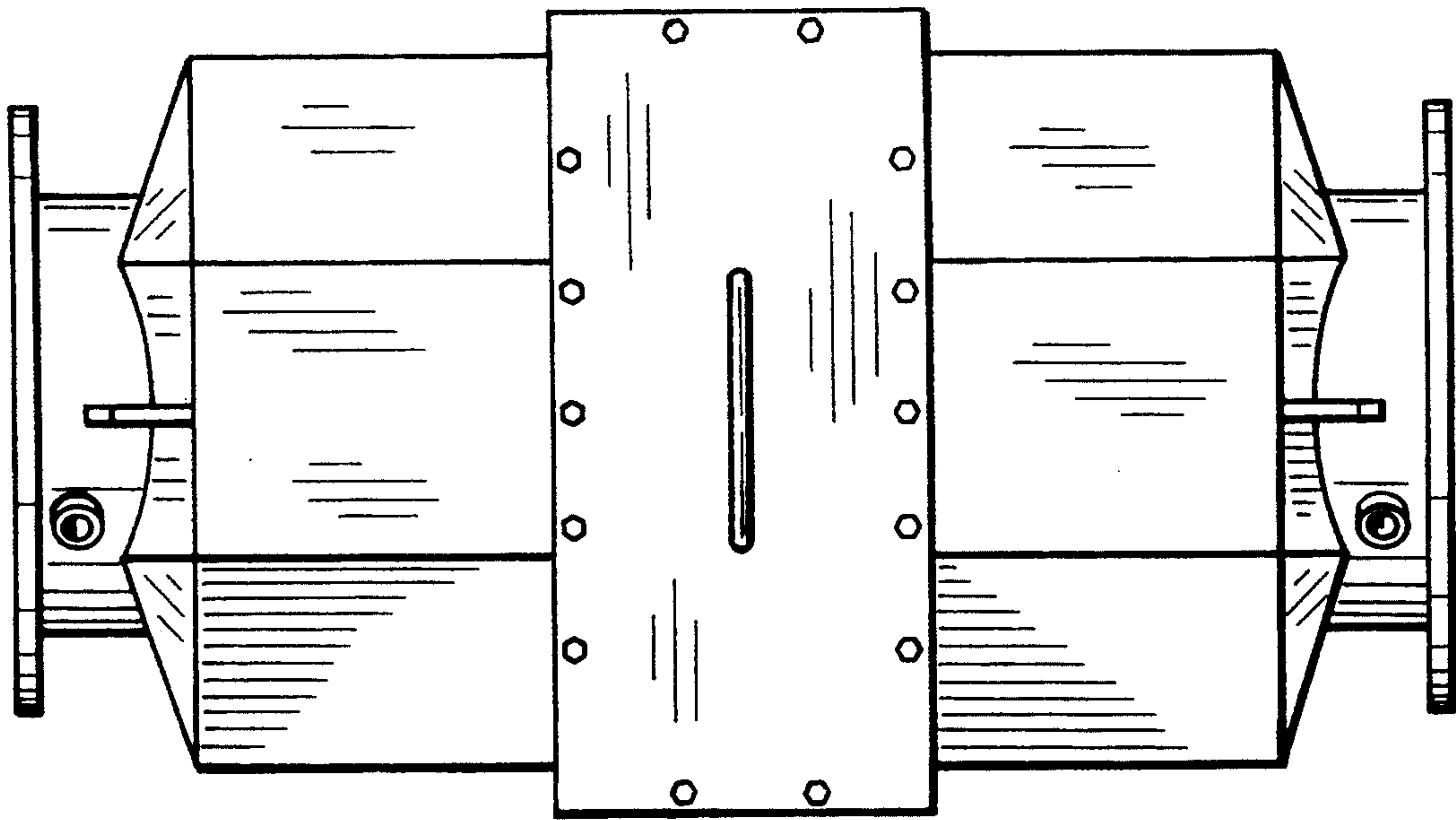


Fig. 3

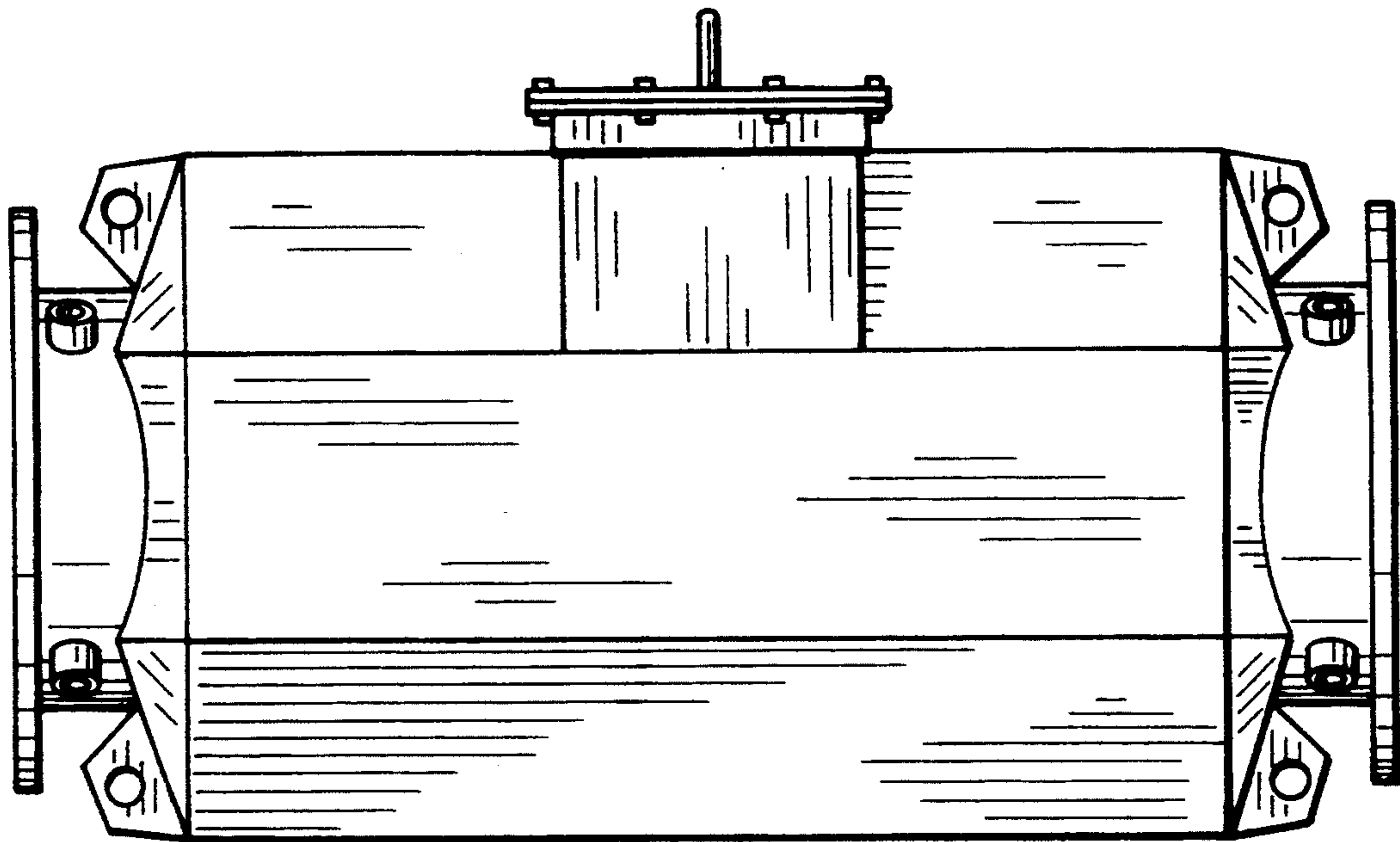


Fig. 2

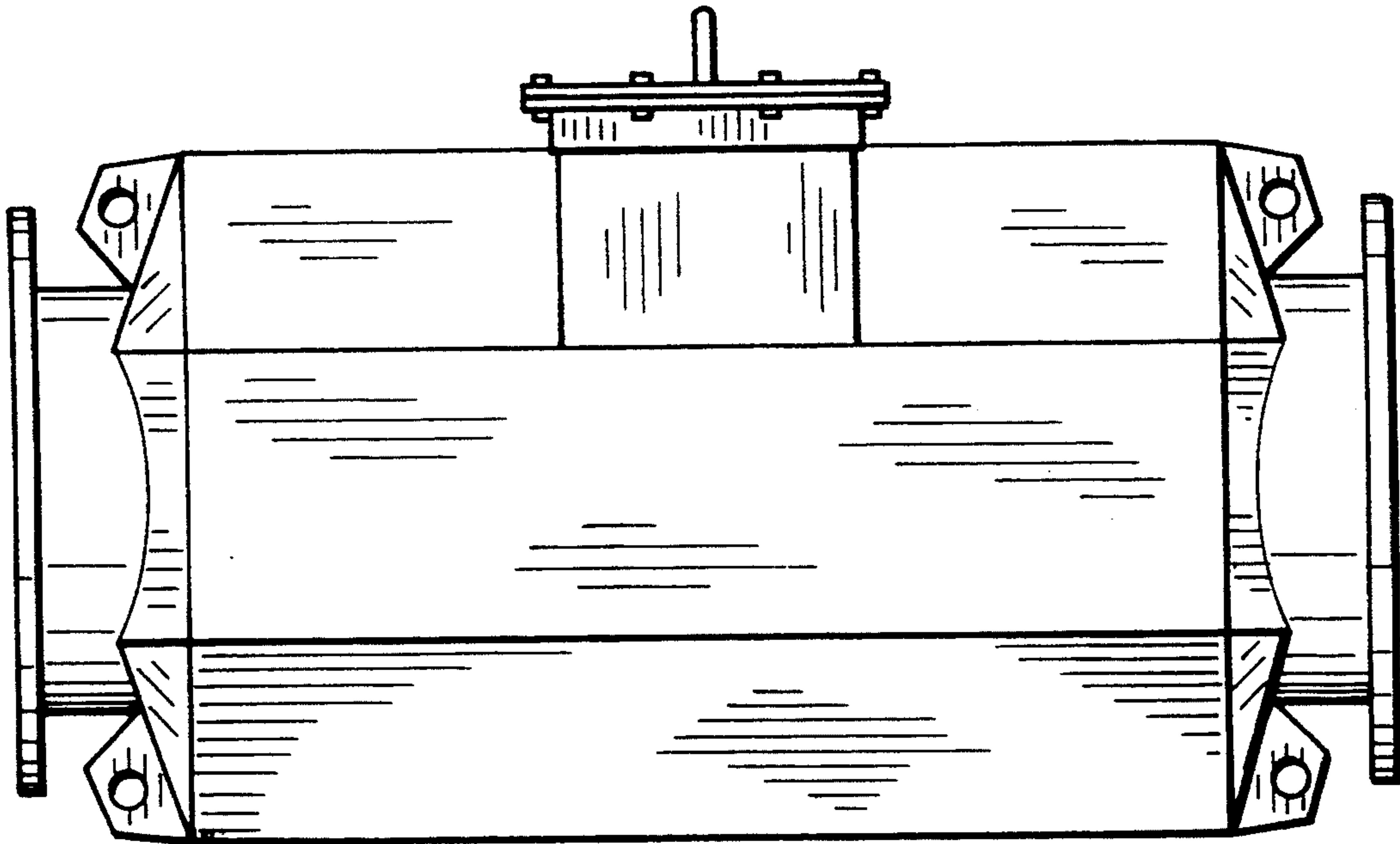


Fig. 5

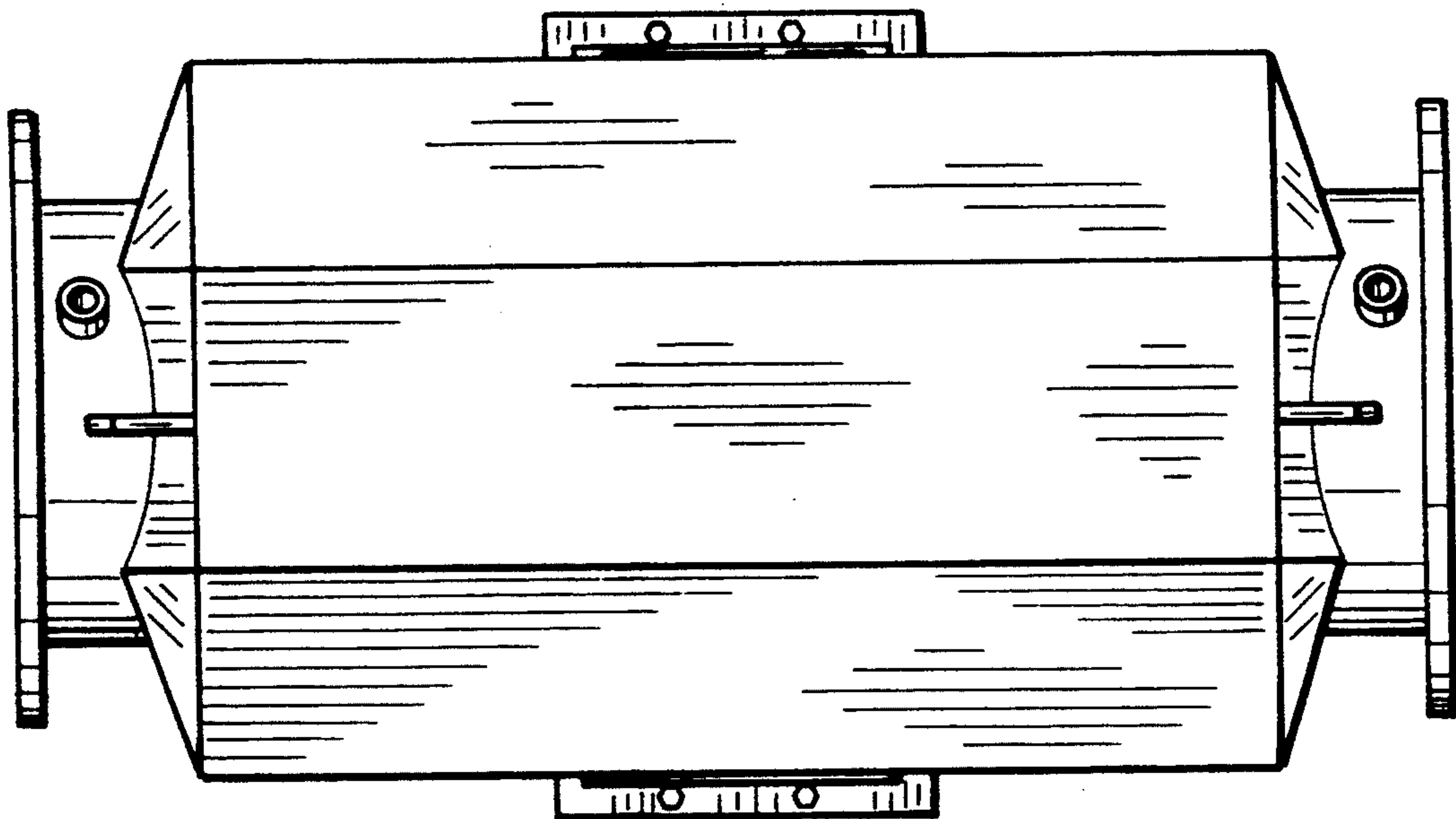


Fig. 6