



US00D351607S

# United States Patent [19]

[11] Patent Number: **Des. 351,607**

Walker

[45] Date of Patent: **\*\* Oct. 18, 1994**

[54] **WELL HEAD STUFFING BOX LEAK DETECTOR AND CONTAINER**

5,150,751	9/1992	Burton et al. ....	166/81
5,211,227	5/1993	Anderson .	
5,246,067	9/1993	Heinonen et al. ....	166/81

[76] Inventor: **Robert L. Walker**, 1425 E. Fourth St., Odessa, Tex. 79761

### FOREIGN PATENT DOCUMENTS

510434	3/1955	Canada .....	166/81
--------	--------	--------------	--------

[\*\*] Term: **14 Years**

*Primary Examiner*—Alan P. Douglas  
*Assistant Examiner*—Antoine D. Davis  
*Attorney, Agent, or Firm*—Richard C. Litman

[21] Appl. No.: **10,817**

[22] Filed: **Jul. 20, 1993**

[52] U.S. Cl. .... **D15/150**

### [57] CLAIM

[58] Field of Search ..... 166/81, 82, 84, 93;  
D15/150, 151, 152

The ornamental design for a well head stuffing box leak detector and container, as shown and described.

### [56] References Cited

### DESCRIPTION

#### U.S. PATENT DOCUMENTS

3,209,830	10/1965	Orr et al. .	
3,276,246	10/1966	Truman et al. .	
4,872,508	10/1989	Gordon .	
4,917,190	4/1990	Coppedge .	
4,951,743	8/1990	Henderson .	
5,067,563	11/1991	Rode .	
5,121,794	6/1992	Hibdon et al. ....	166/81
5,148,699	9/1992	Morse .	

FIG. 1 is an environmental perspective view of a well head stuffing box leak detector and container showing my new design;  
FIG. 2 is a left side elevational view thereof;  
FIG. 3 is a right side elevational view thereof;  
FIG. 4 is a top plan view thereof;  
FIG. 5 is a front elevational view thereof, with the rear elevational view being a mirror image; and,  
FIG. 6 is a bottom plan view thereof.

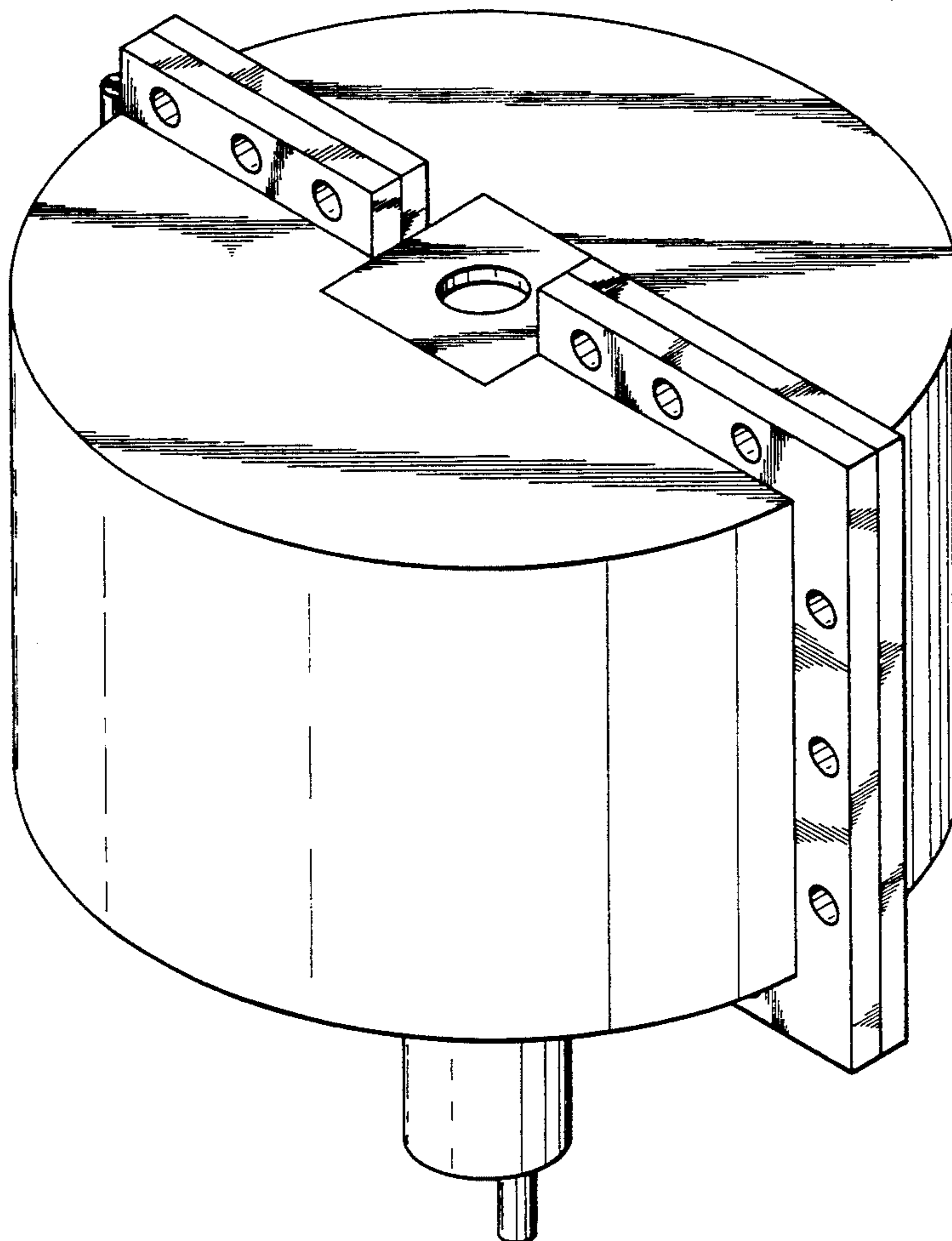


FIG. 1

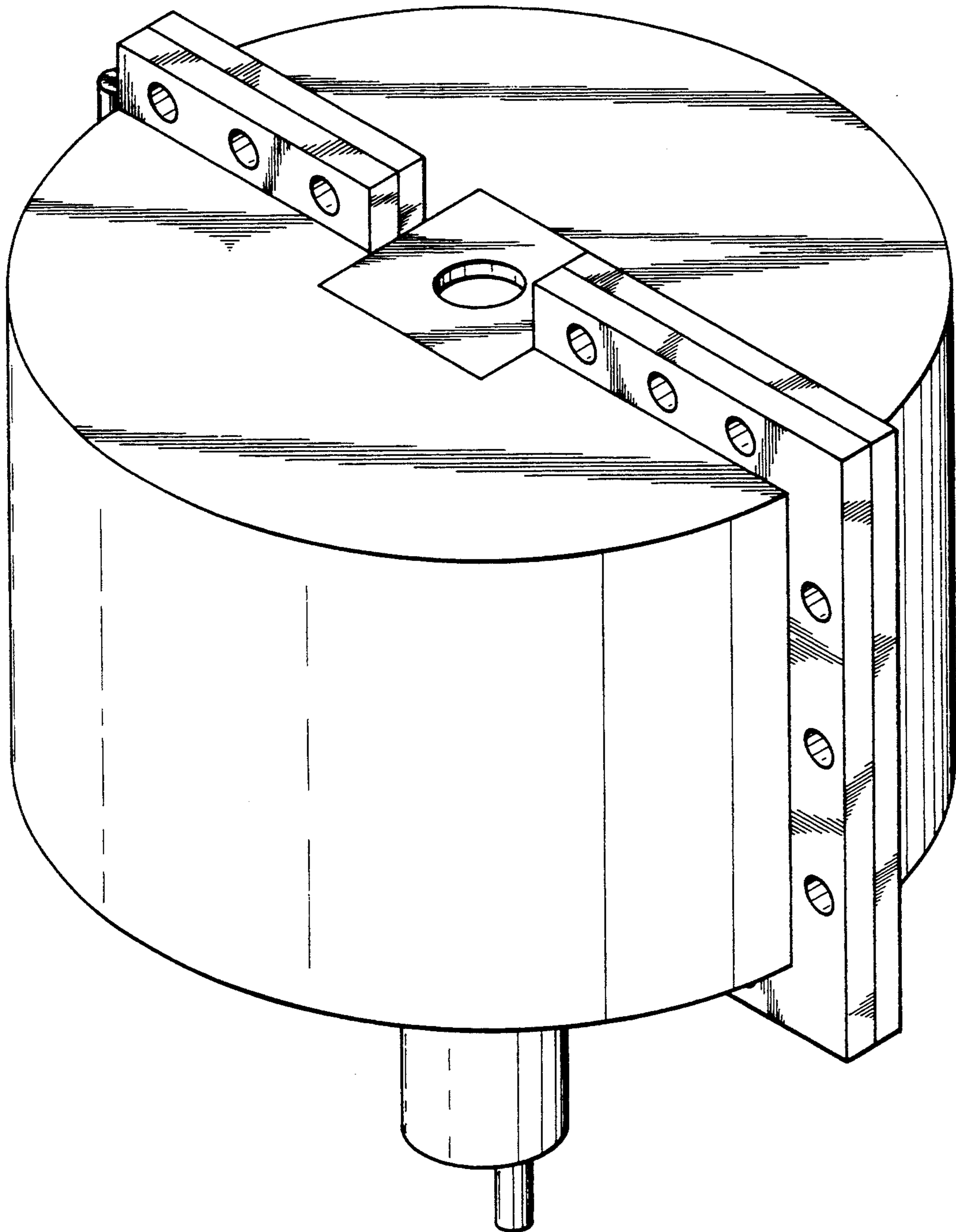


FIG. 2

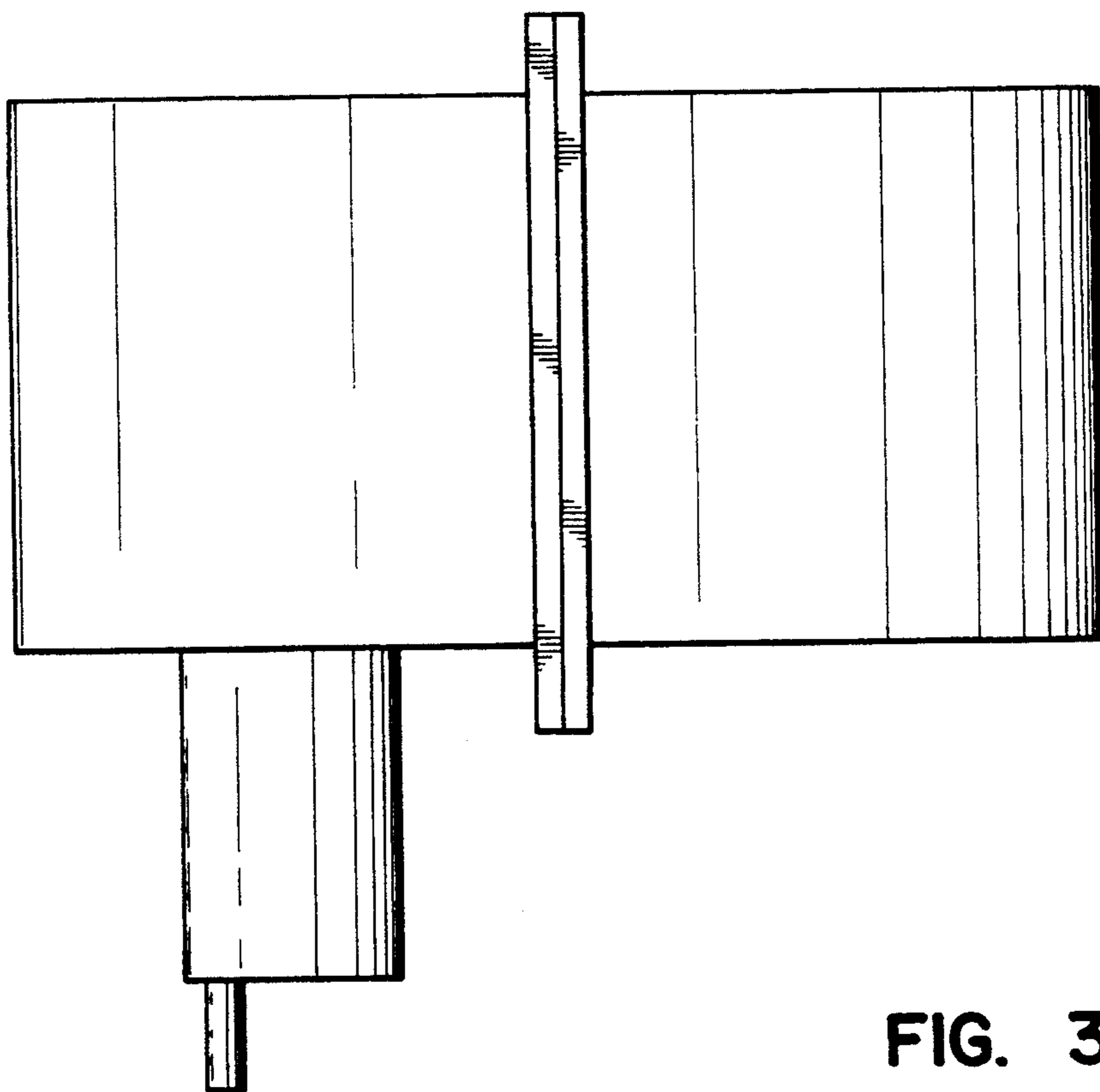
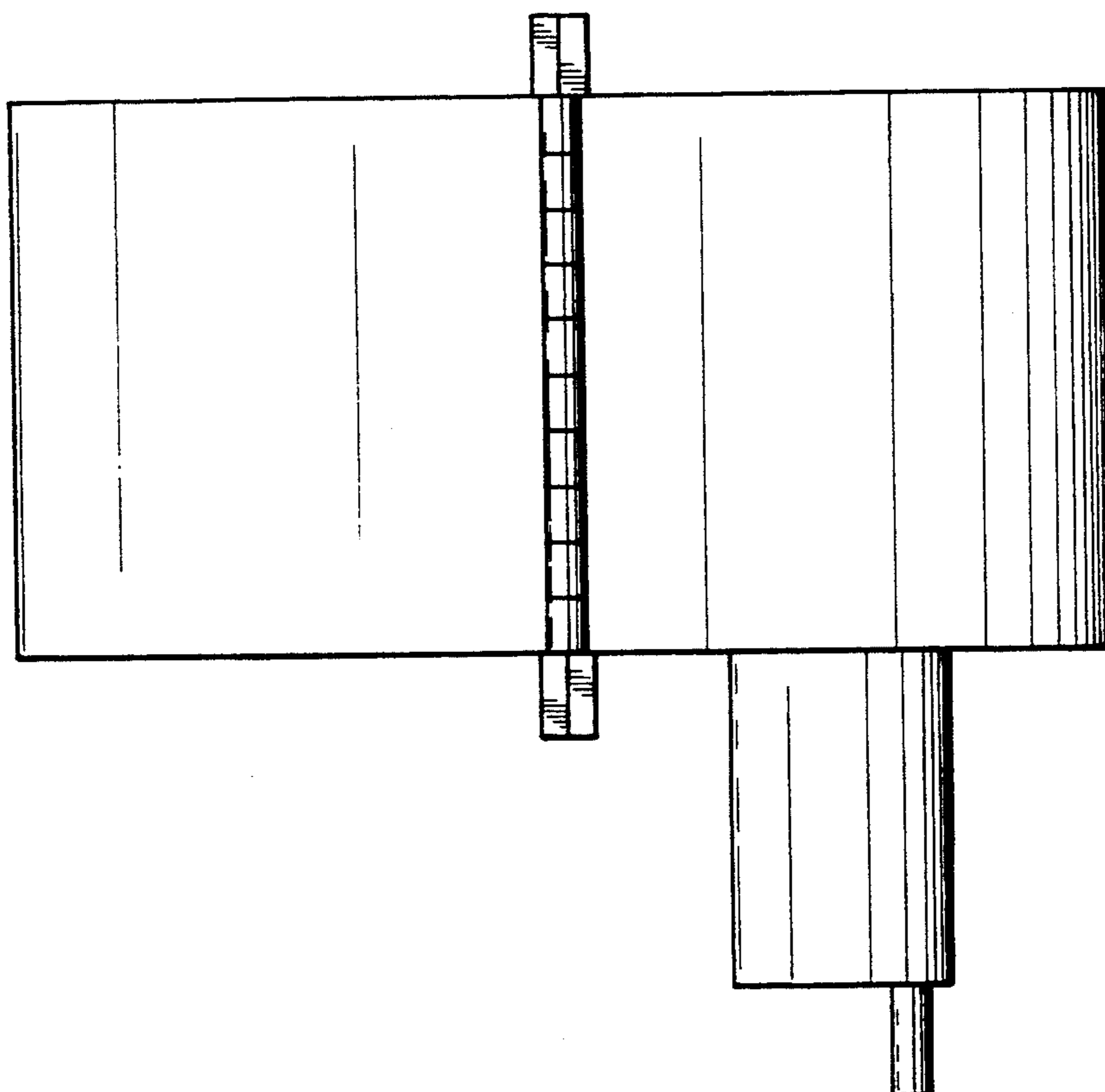


FIG. 3



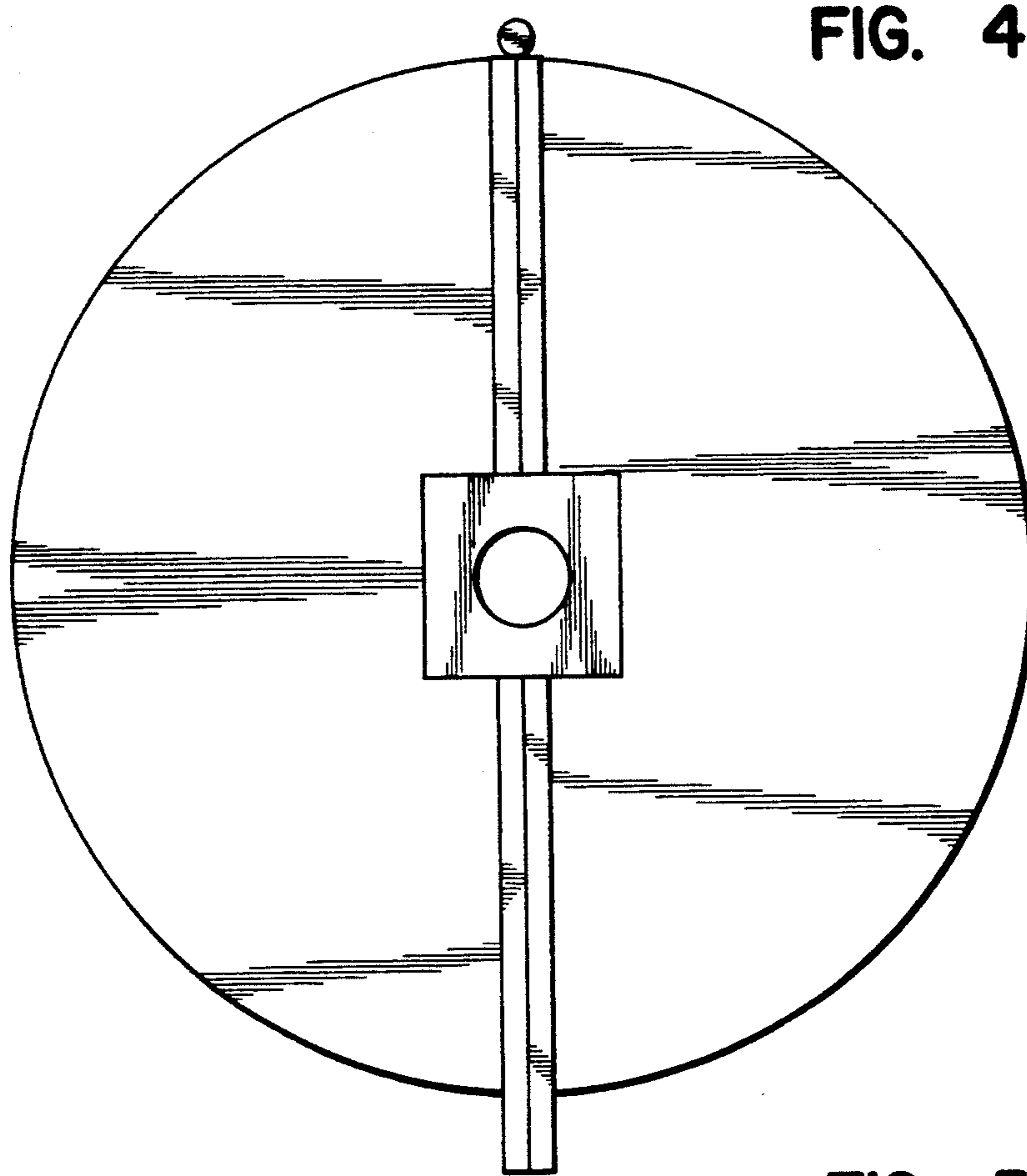


FIG. 4

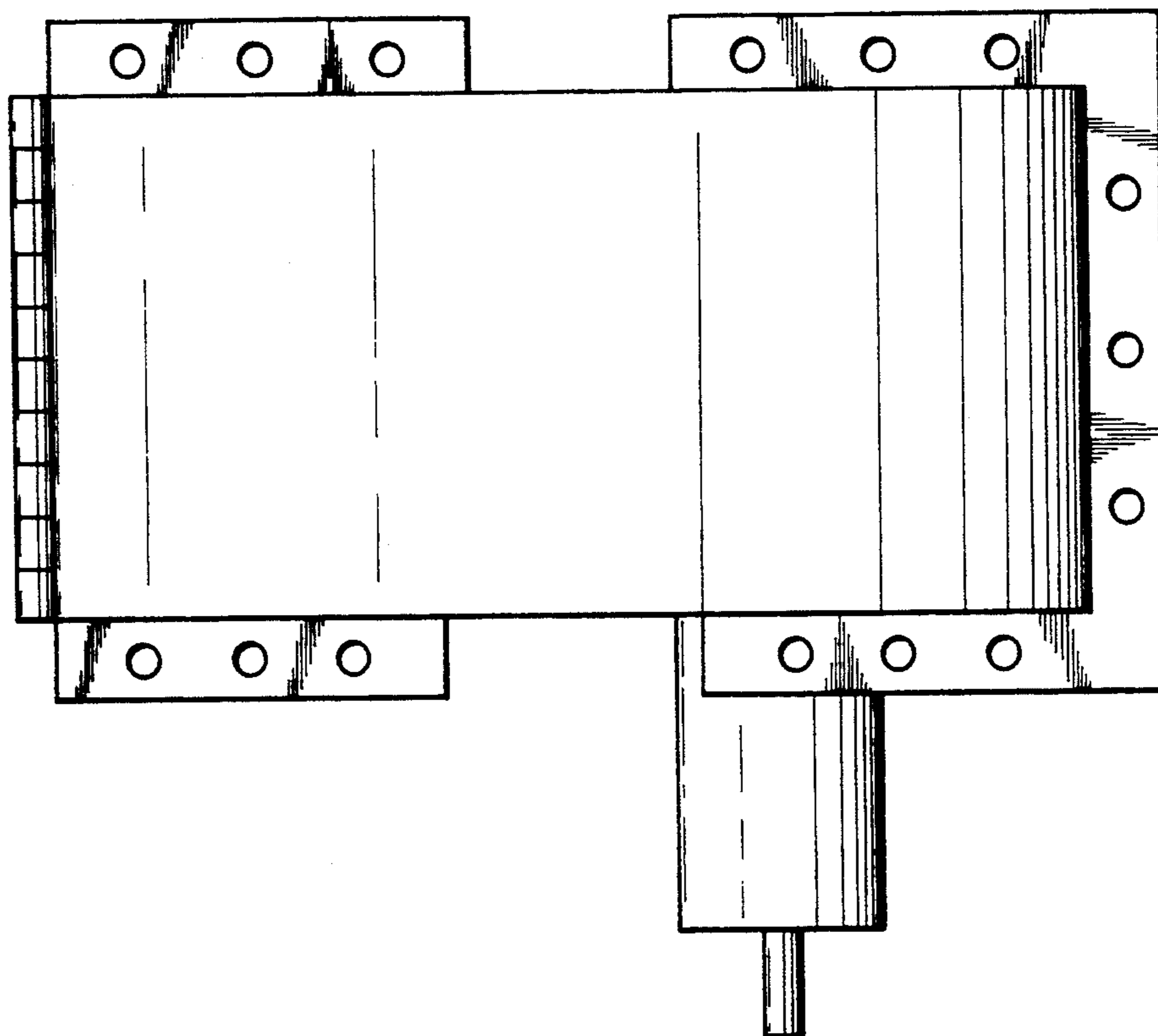


FIG. 5

FIG. 6

