



US00D351606S

United States Patent [19]

[11] Patent Number: **Des. 351,606**

Markusson et al.

[45] Date of Patent: **** Oct. 18, 1994**

[54] **CUTTING INSERT FOR MILLING CUTTERS**

[56]

References Cited

U.S. PATENT DOCUMENTS

[75] Inventors: **Lars Markusson; Hans Lindberg; Lars-Gunnar Wallstrom**, all of Sandviken, Sweden

1,243,446	10/1917	Richard	407/42 X
2,586,955	2/1952	Kaiser	407/42
3,464,098	9/1969	Moore et al.	407/42
3,940,835	3/1976	Friedline et al.	407/117 X
4,378,184	3/1983	Briese	407/42 X
4,606,678	8/1986	Zweekly	407/116 X
4,679,968	7/1987	Tsujimura et al.	407/114
5,108,234	4/1992	Stojanovski	407/113 X

[73] Assignee: **Sandvik AB**, Sandviken, Sweden

[**] Term: **14 Years**

Primary Examiner—Alan P. Douglas
Assistant Examiner—Antoine D. Davis
Attorney, Agent, or Firm—Burns, Doane, Swecker & Mathis

[21] Appl. No.: **914,095**

[57]

CLAIM

[22] Filed: **Jul. 16, 1992**

The ornamental design for a cutting insert for milling cutters, as shown and described.

[30] **Foreign Application Priority Data**

DESCRIPTION

Jan. 17, 1992 [SE] Sweden 92-0111
[52] U.S. Cl. **D15/139**
[58] Field of Search 407/42, 113, 114, 115, 407/116, 117; D15/138, 139

FIG. 1 is a top perspective view of the cutting insert for milling cutters showing our new design; FIG. 2 is a bottom perspective view thereof; and, FIG. 3 is a bottom view thereof.

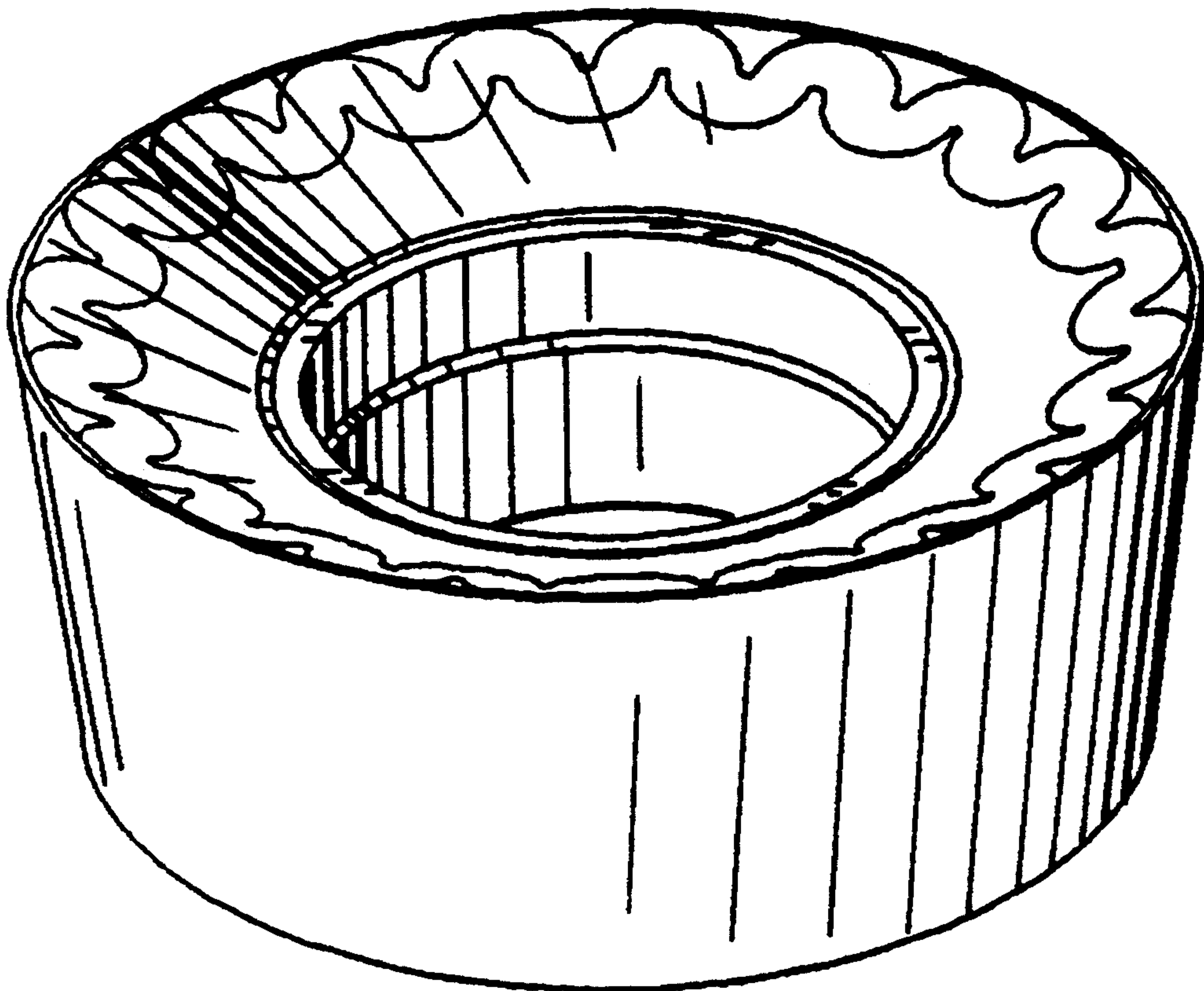


FIG. 1

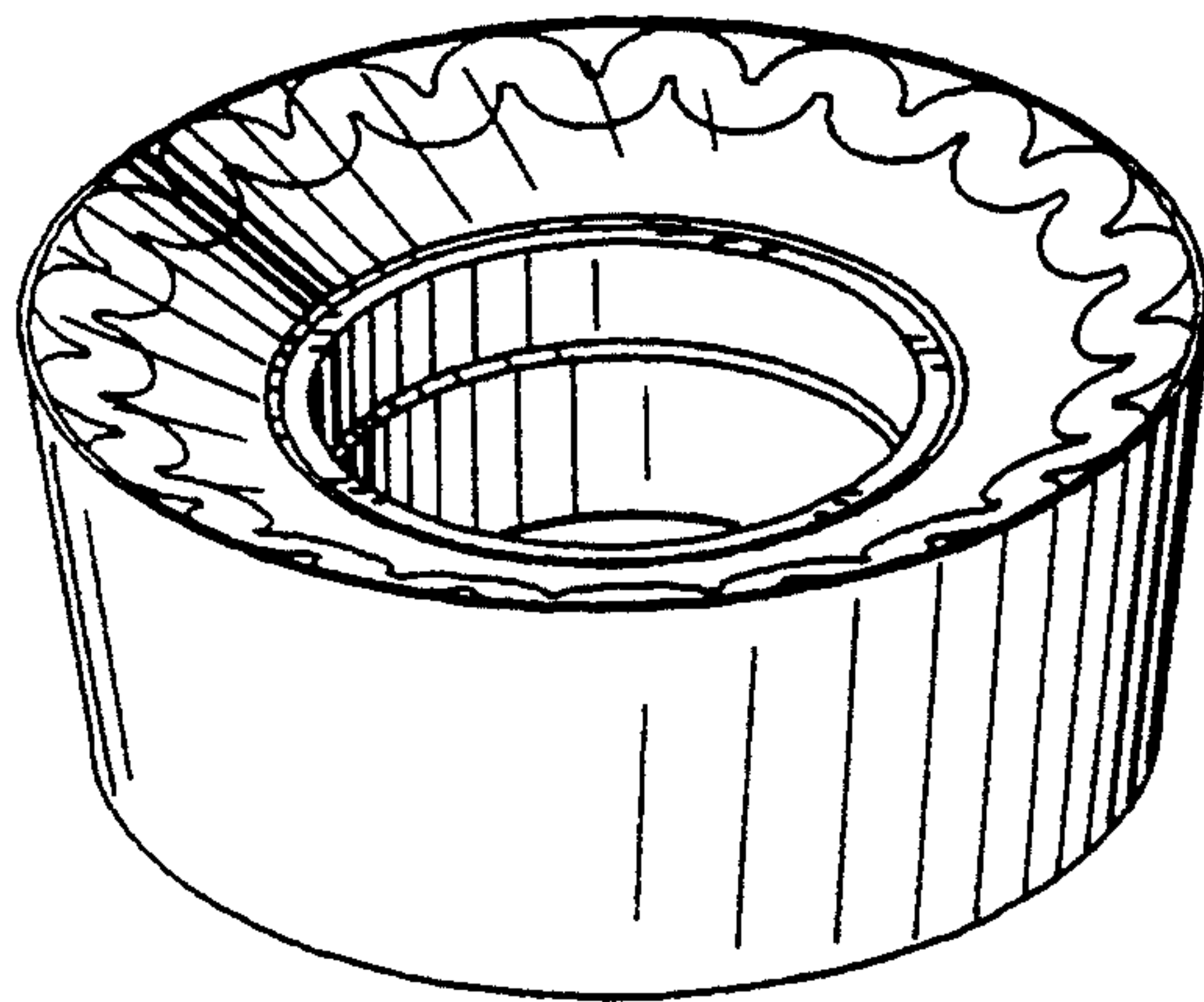


FIG. 2

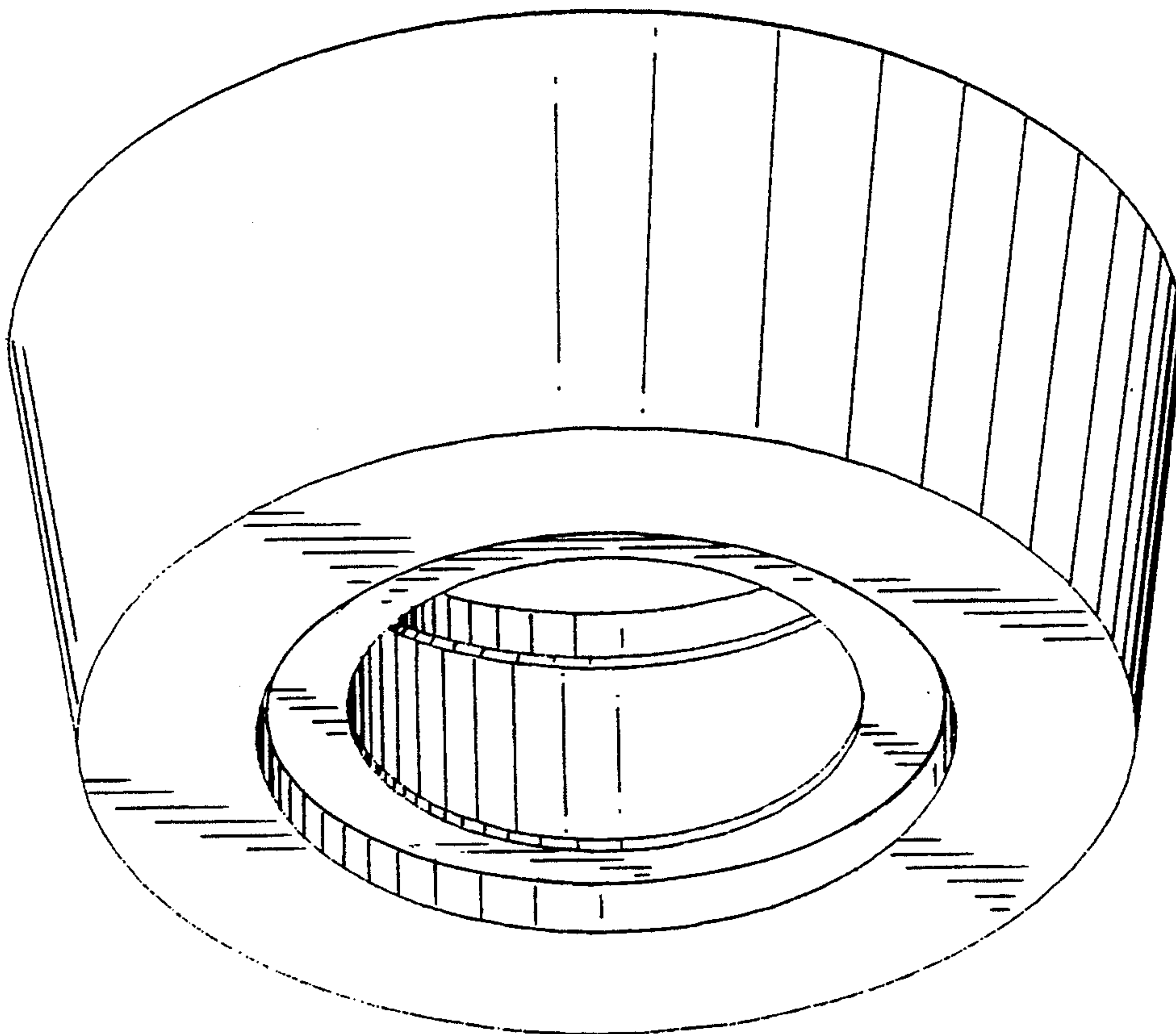


FIG. 3

