



US00D351605S

United States Patent [19]

[11] Patent Number: **Des. 351,605**

Chen

[45] Date of Patent: **** Oct. 18, 1994**

[54] **COMPOUND MITER SAW SLIDE BAR MECHANISM**

Assistant Examiner—Antoine D. Davis
Attorney, Agent, or Firm—Chapin, Neal & Dempsey

[75] Inventor: **Ruey-Zon Chen**, Taichung, Taiwan

[57] **CLAIM**

The ornamental design of a compound miter saw slide bar mechanism, as shown and described.

[73] Assignee: **Rexon Industrial Corporation, Ltd.**,
Taichung Hsian, Taiwan

DESCRIPTION

[**] Term: **14 Years**

FIG. 1 is a perspective view of the compound miter saw slide bar mechanism;

[21] Appl. No.: **1,371**

FIG. 2 is a side view of the compound miter saw slide bar mechanism;

[22] Filed: **Nov. 12, 1992**

FIG. 3 is an opposite side view of the compound miter saw slide bar mechanism of FIG. 2

[52] U.S. Cl. **D15/138**

[58] Field of Search 30/392; 83/471, 471.3,
83/476, 477, 478, 486.1, 490, 581, 485, 486, 487,
488, 489, 284; D15/133

FIG. 4 is a top view of the compound miter saw slide bar mechanism;

[56] **References Cited**

U.S. PATENT DOCUMENTS

| | | | |
|-----------|---------|-------------|----------|
| 3,464,295 | 9/1969 | Gallion | 408/112 |
| 4,179,231 | 12/1979 | Hadden | 408/112 |
| 4,869,142 | 9/1989 | Sato et al. | 83/467.1 |
| 5,241,888 | 9/1993 | Chen | 83/477.3 |

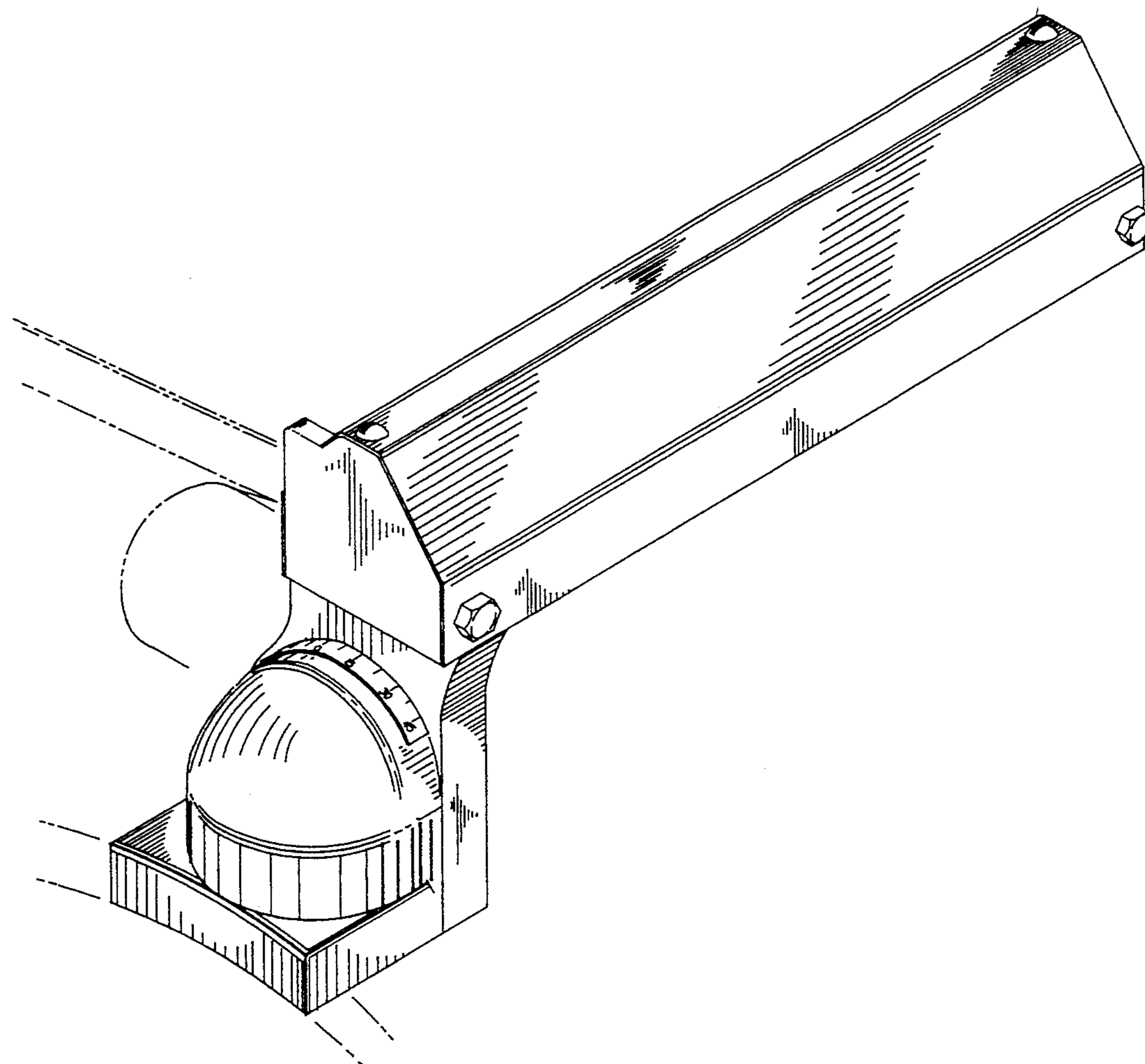
FIG. 5 is a bottom view of the compound miter saw slide bar mechanism;

FIG. 6 is an end view of the compound miter saw slide bar mechanism; and,

FIG. 7 is an opposite end view of the compound miter saw slide bar mechanism of FIG. 6.

The broken line showing of portions of a miter saw is for illustrative purposes only and forms no part of the claimed design.

Primary Examiner—Nelson C. Holtje



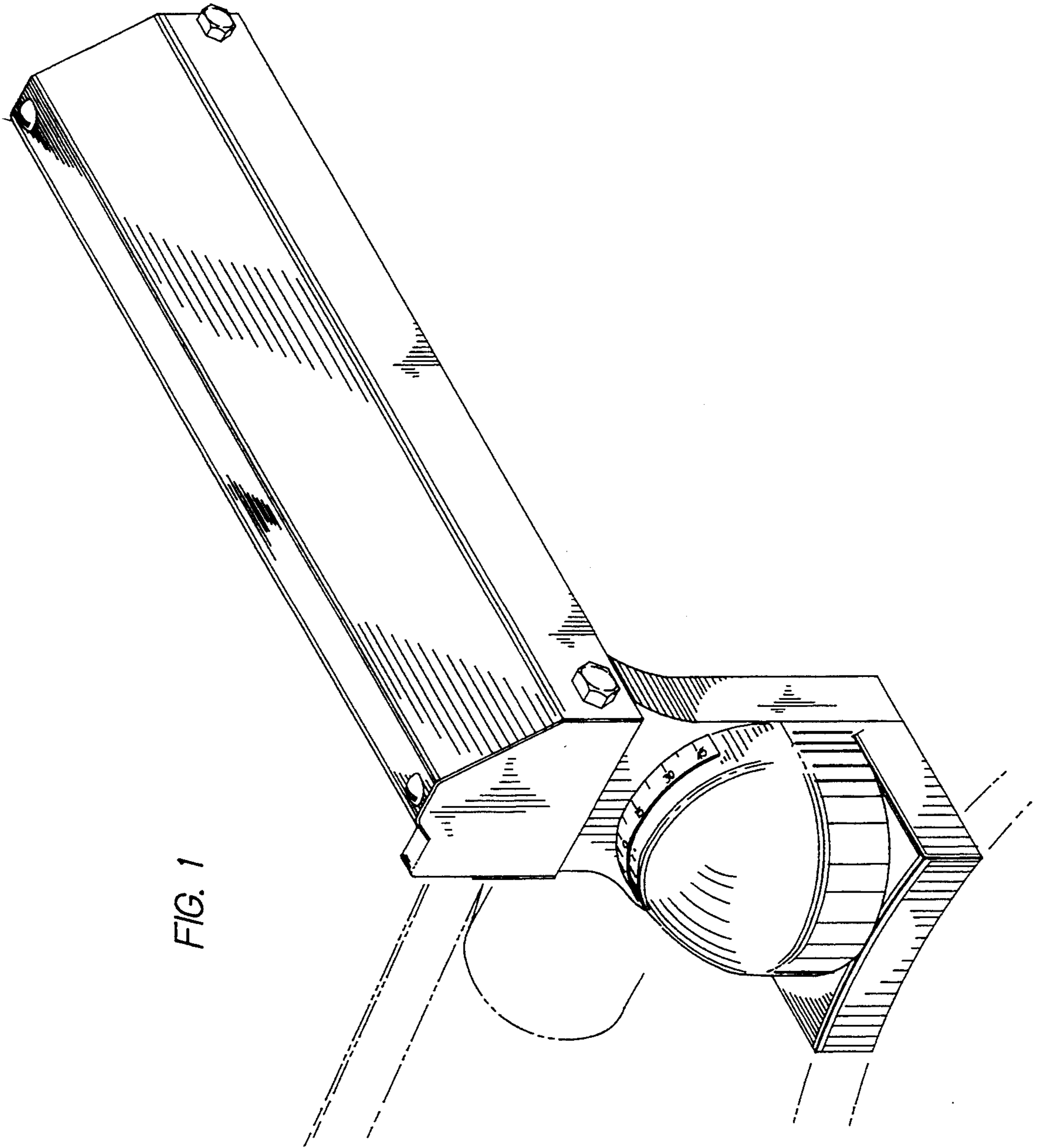


FIG. 1

FIG. 2

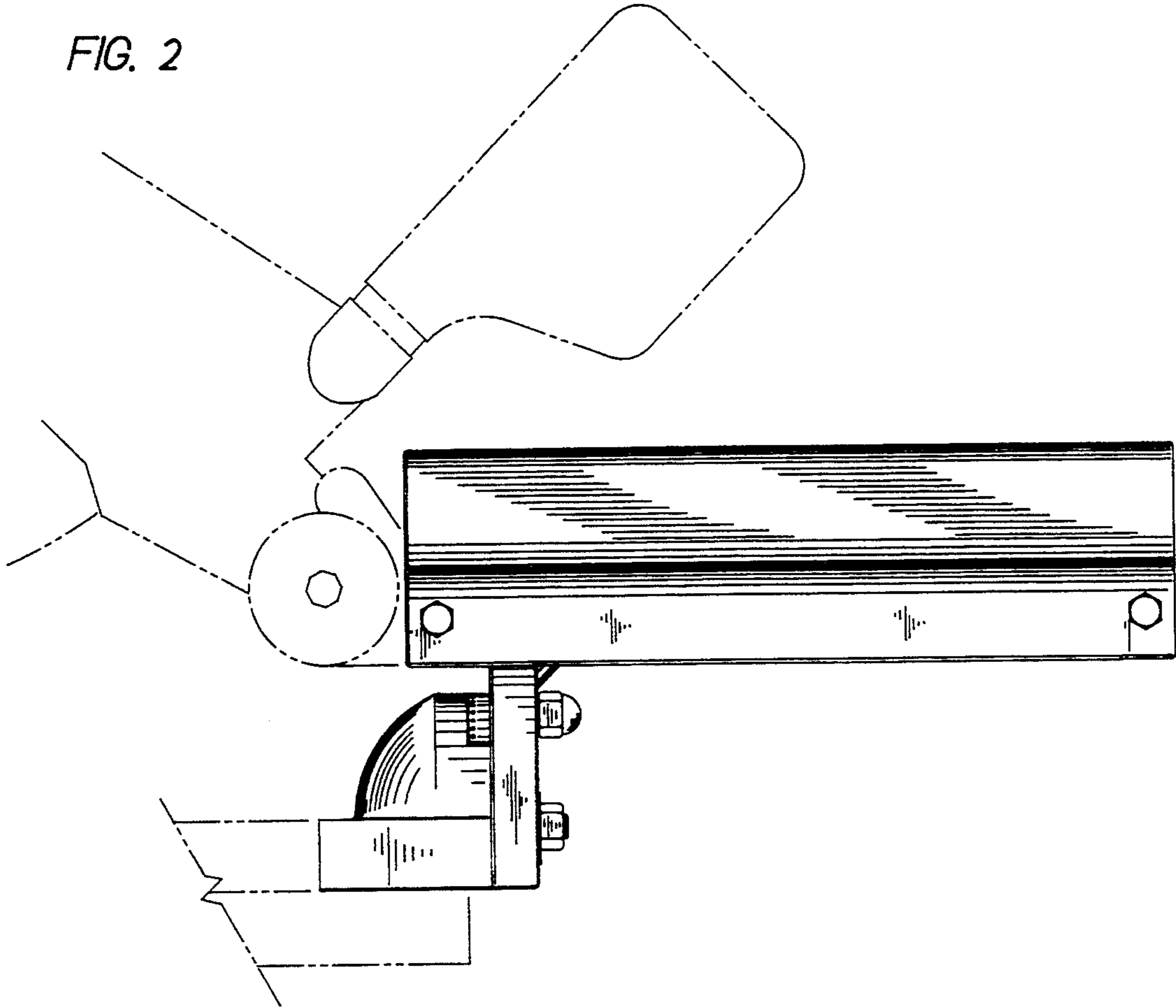


FIG. 3

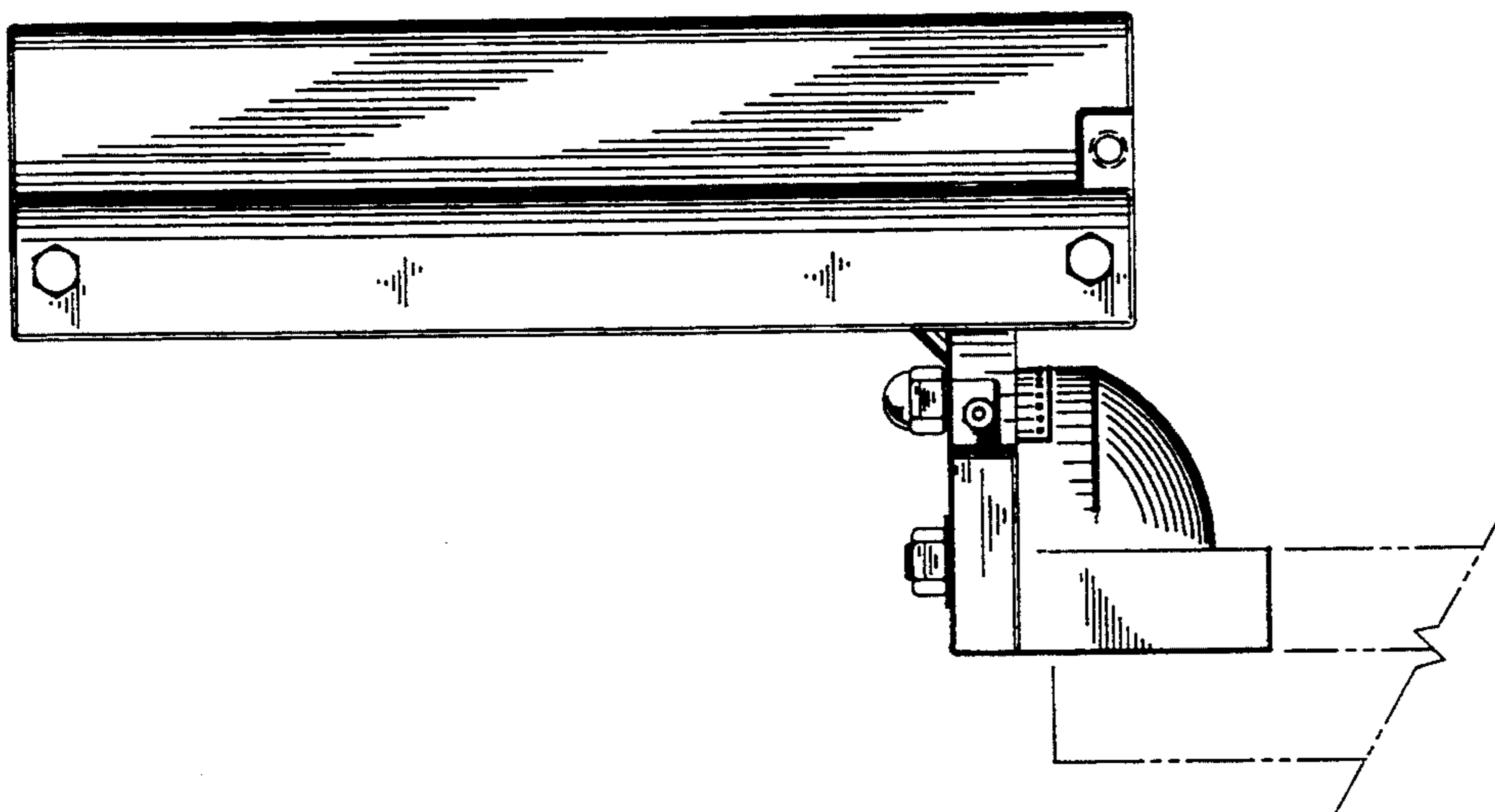


FIG. 4

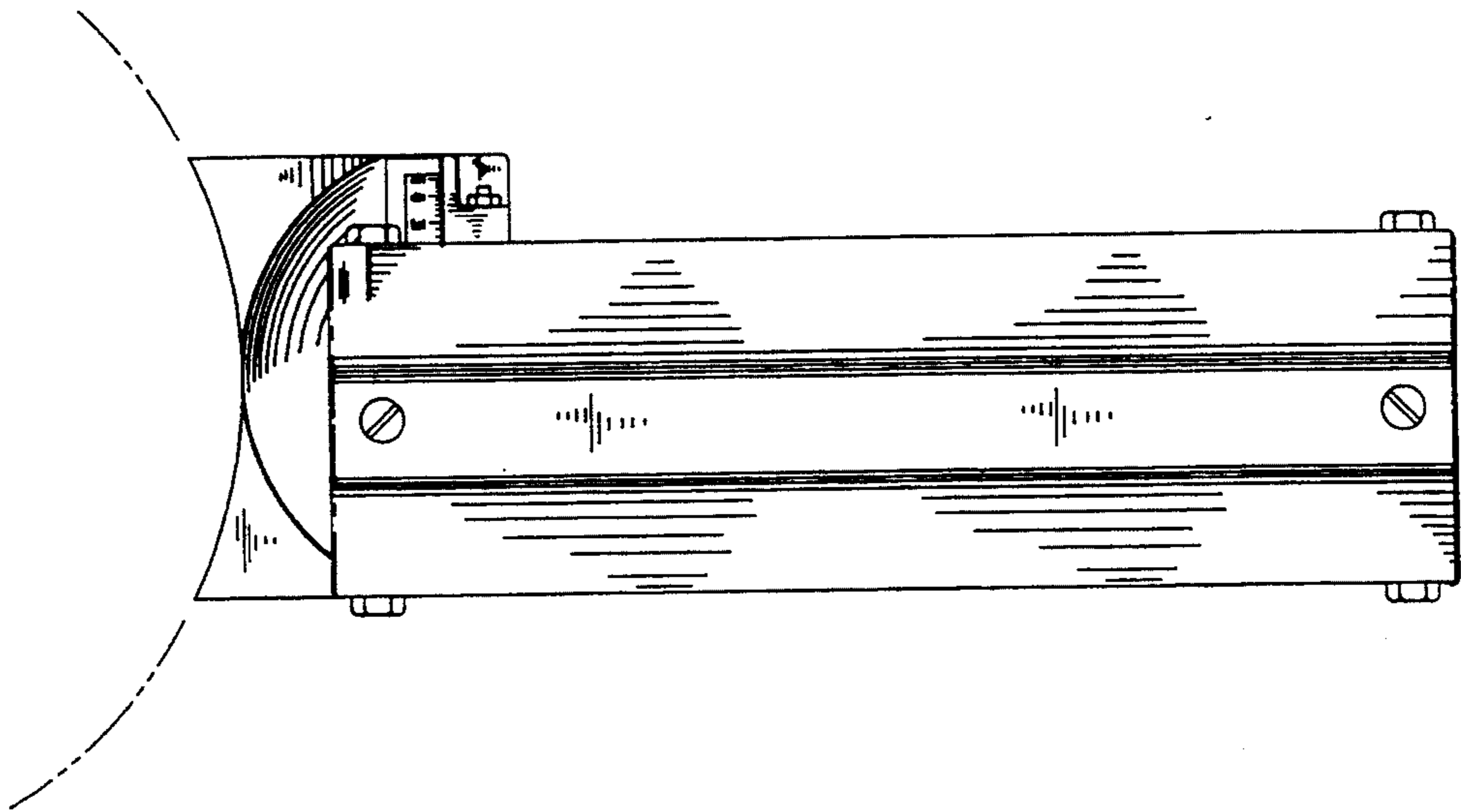


FIG. 5

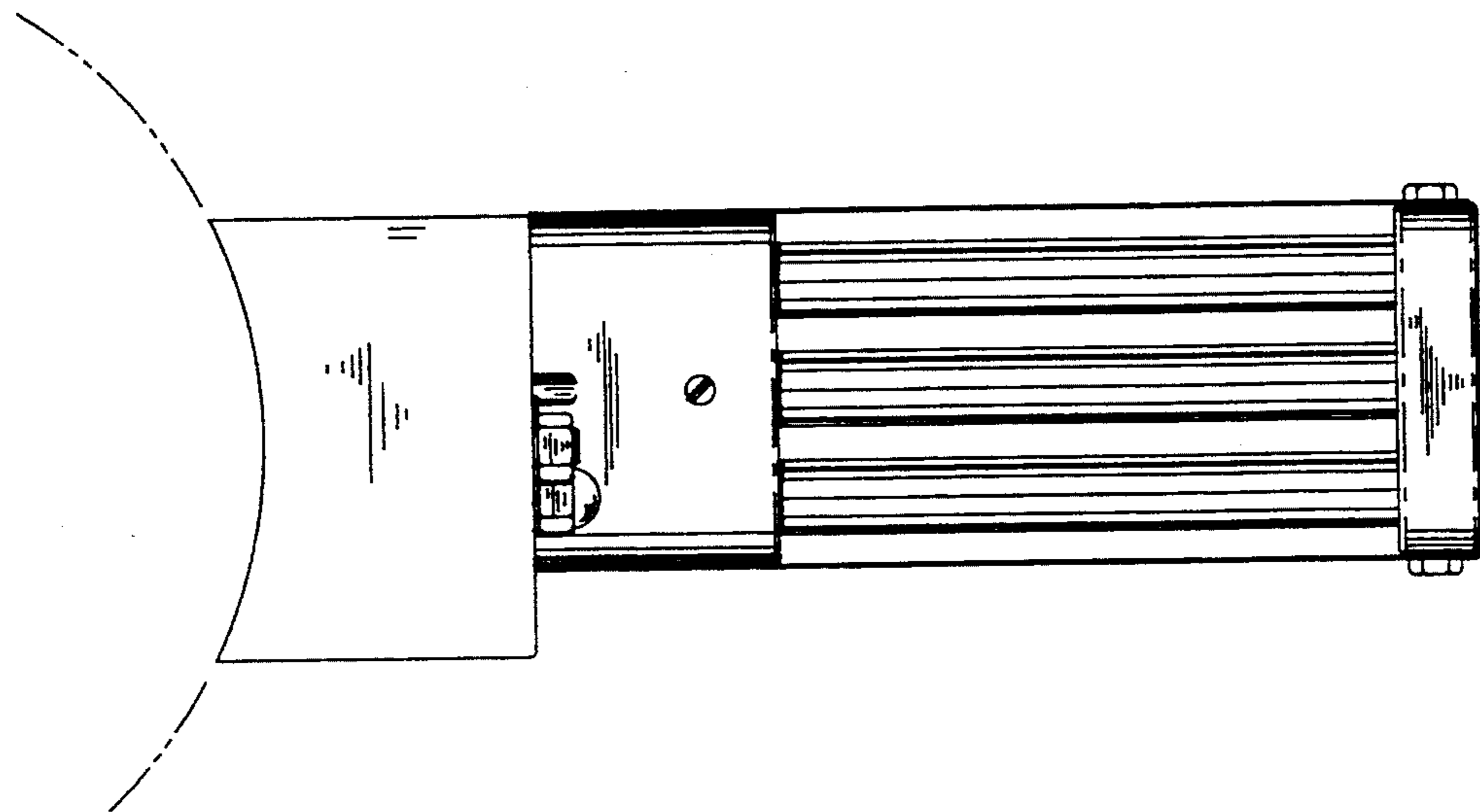


FIG. 6

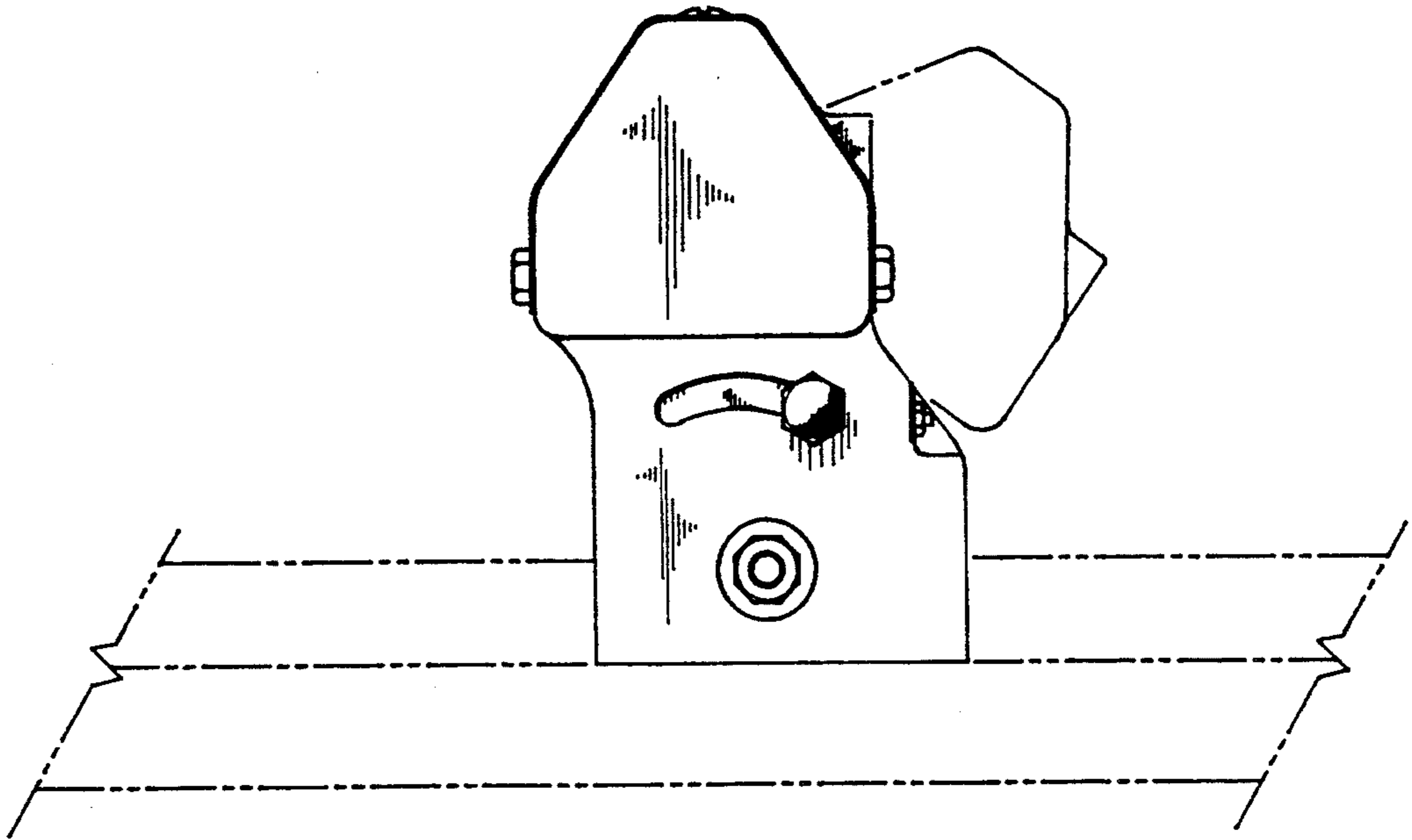


FIG. 7

