



US00D351604S

United States Patent [19]

[11] Patent Number: **Des. 351,604**

Eudy

[45] Date of Patent: **** Oct. 18, 1994**

[54] **SELF LATCHING HITCH**

[75] Inventor: **Joe H. Eudy**, Rte. 1, Box 16,
Danville, Ala. 35619

[73] Assignees: **Arthur Groover; Aaron Boyd Clark**,
both of Hartselle; **Joe H. Eudy**,
Danville, all of Ala.

[**] Term: **14 Years**

[21] Appl. No.: **7,969**

[22] Filed: **May 7, 1993**

2,597,096	5/1952	Harris	280/509
4,846,624	7/1989	Hohn	172/275
5,031,927	7/1991	Frenette	280/509
5,141,385	8/1992	Tibbatts et al.	172/275
5,244,047	9/1993	Eudy	280/509

FOREIGN PATENT DOCUMENTS

1029240	4/1958	Fed. Rep. of Germany	280/508
---------	--------	----------------------------	---------

Primary Examiner—Wallace R. Burke
Assistant Examiner—M. Brown

[57] **CLAIM**

The ornamental design for a self latching hitch, as shown.

Related U.S. Application Data

[63] Continuation-in-part of Ser. No. 740,410, Aug. 5, 1991,
Pat. No. 5,244,047.

[52] U.S. Cl. **D15/28; D12/162**

[58] Field of Search 172/275, 272; 37/231,
37/237; 280/509, 508, 460, 460.1; 414/723;
D15/28; D12/162

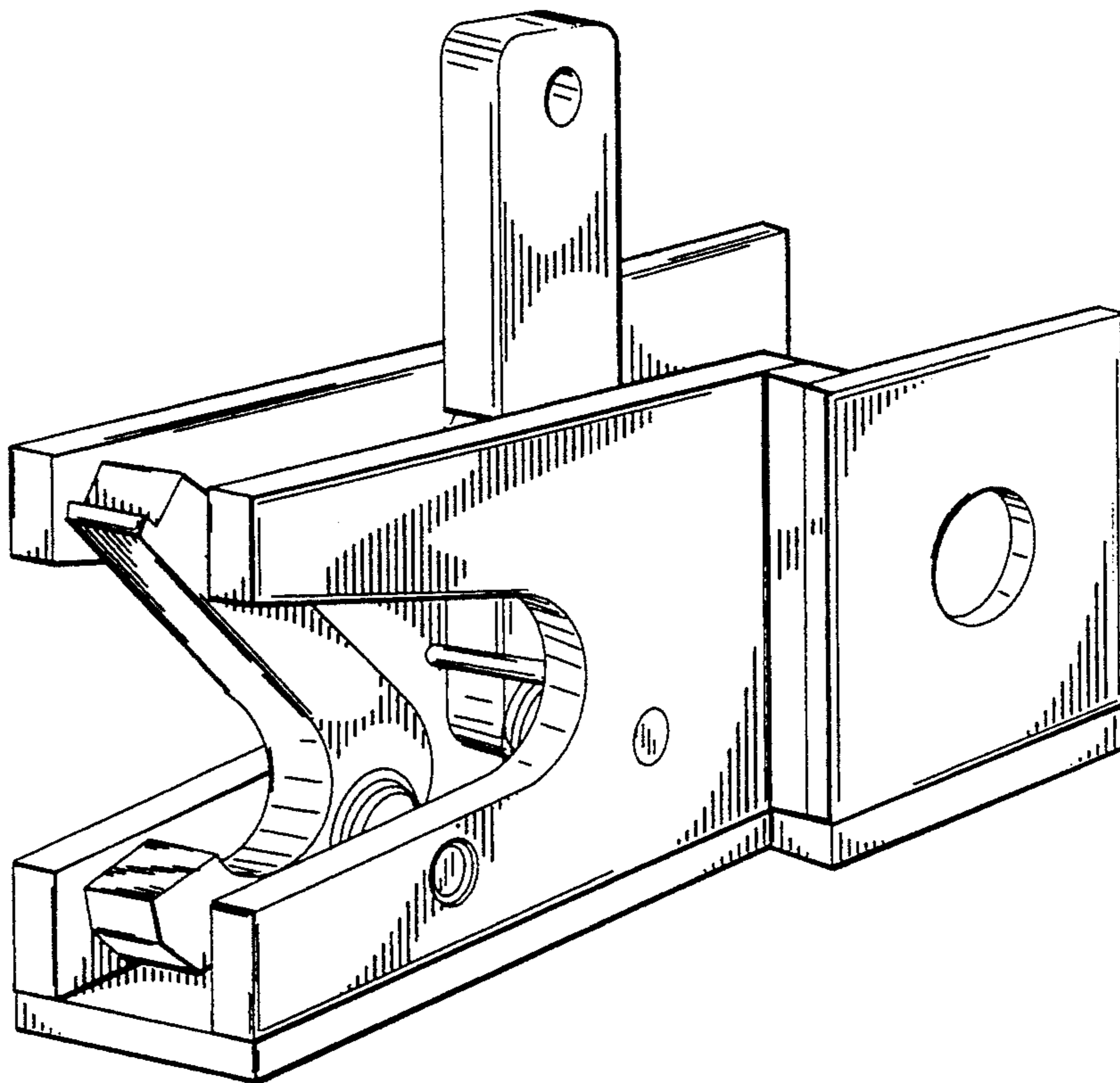
DESCRIPTION

FIG. 1 is a perspective view showing my new self latching hitch design;
FIG. 2 is a right side view thereof;
FIG. 3 is a left side view thereof;
FIG. 4 is a front view thereof;
FIG. 5 is a rear view thereof;
FIG. 6 is a top view thereof;
FIG. 7 is a bottom view thereof; and,
FIG. 8 is a right side view of my new design in its latched configuration.

[56] **References Cited**

U.S. PATENT DOCUMENTS

D. 251,846	5/1979	Martin et al.	D15/28
D. 272,250	1/1984	Larsson	D15/28



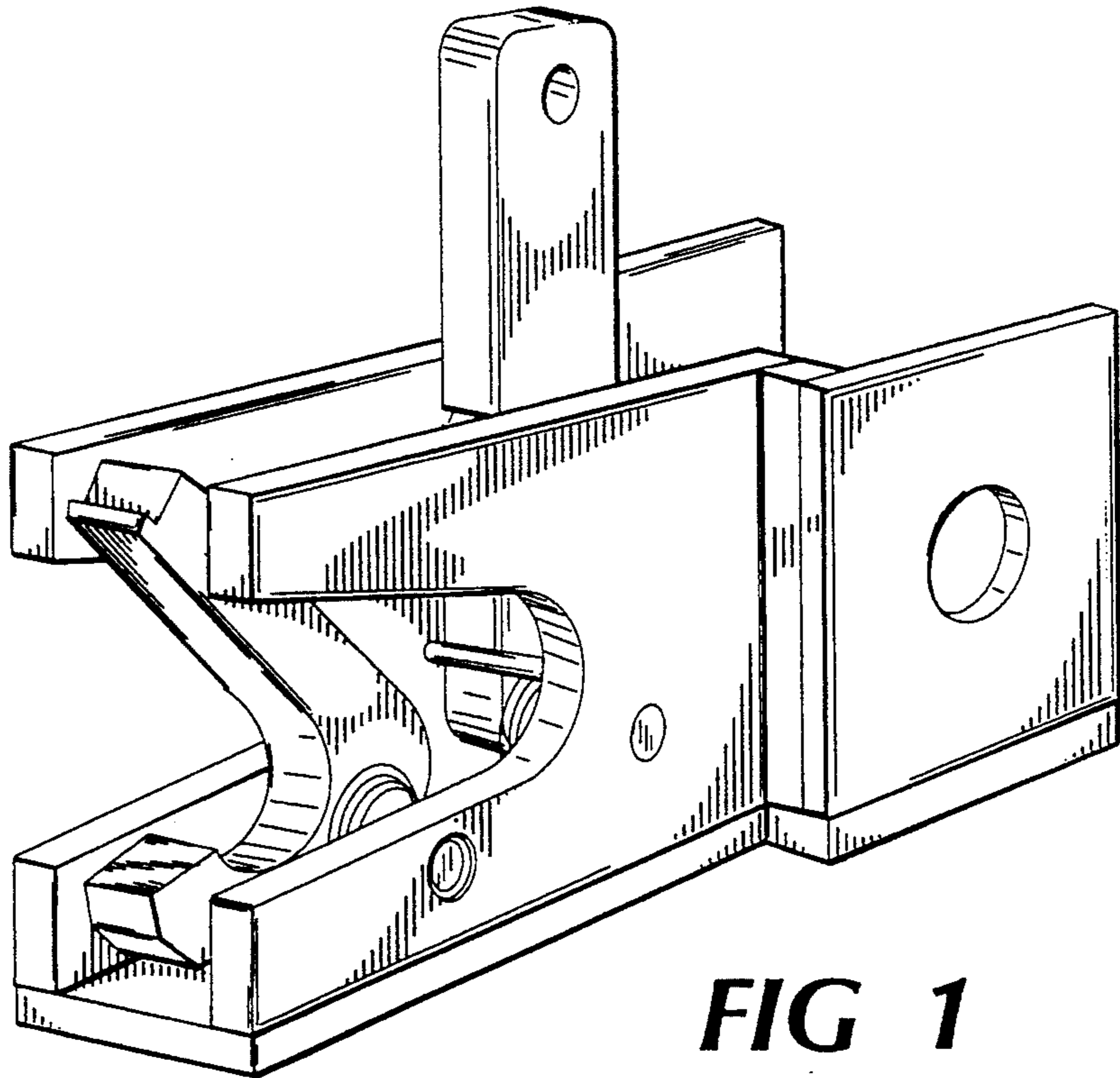


FIG 1

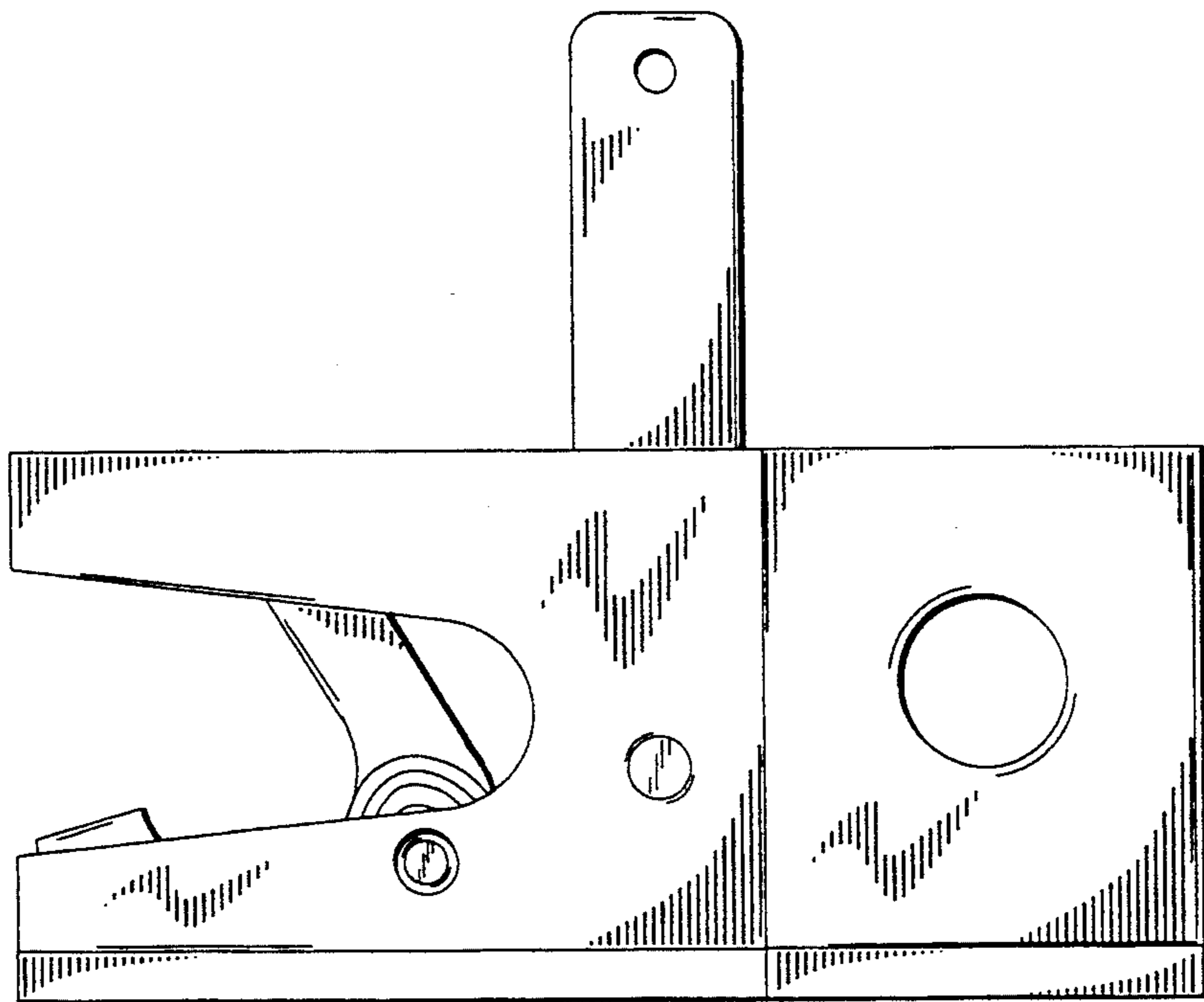


FIG 2

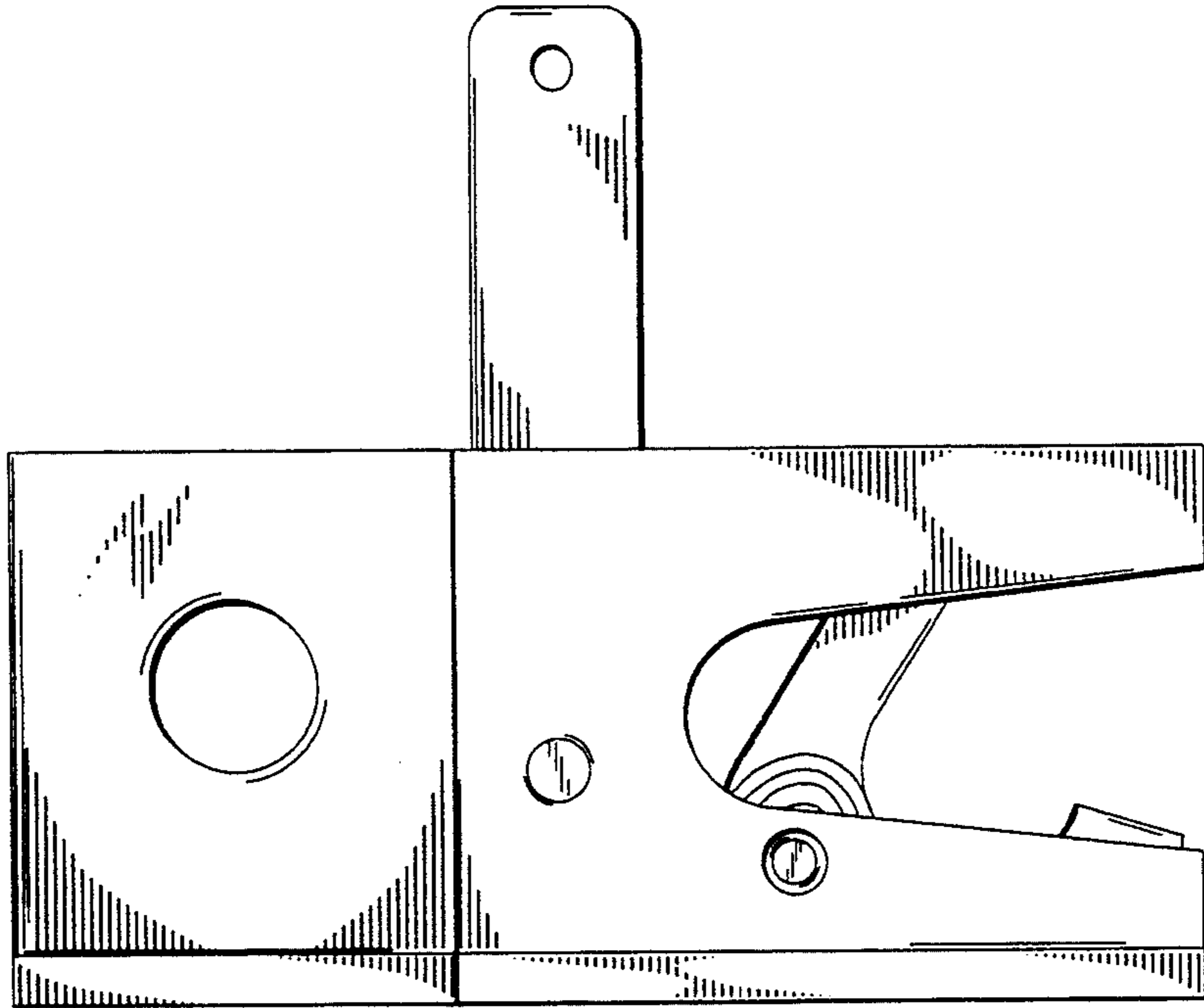


FIG 3

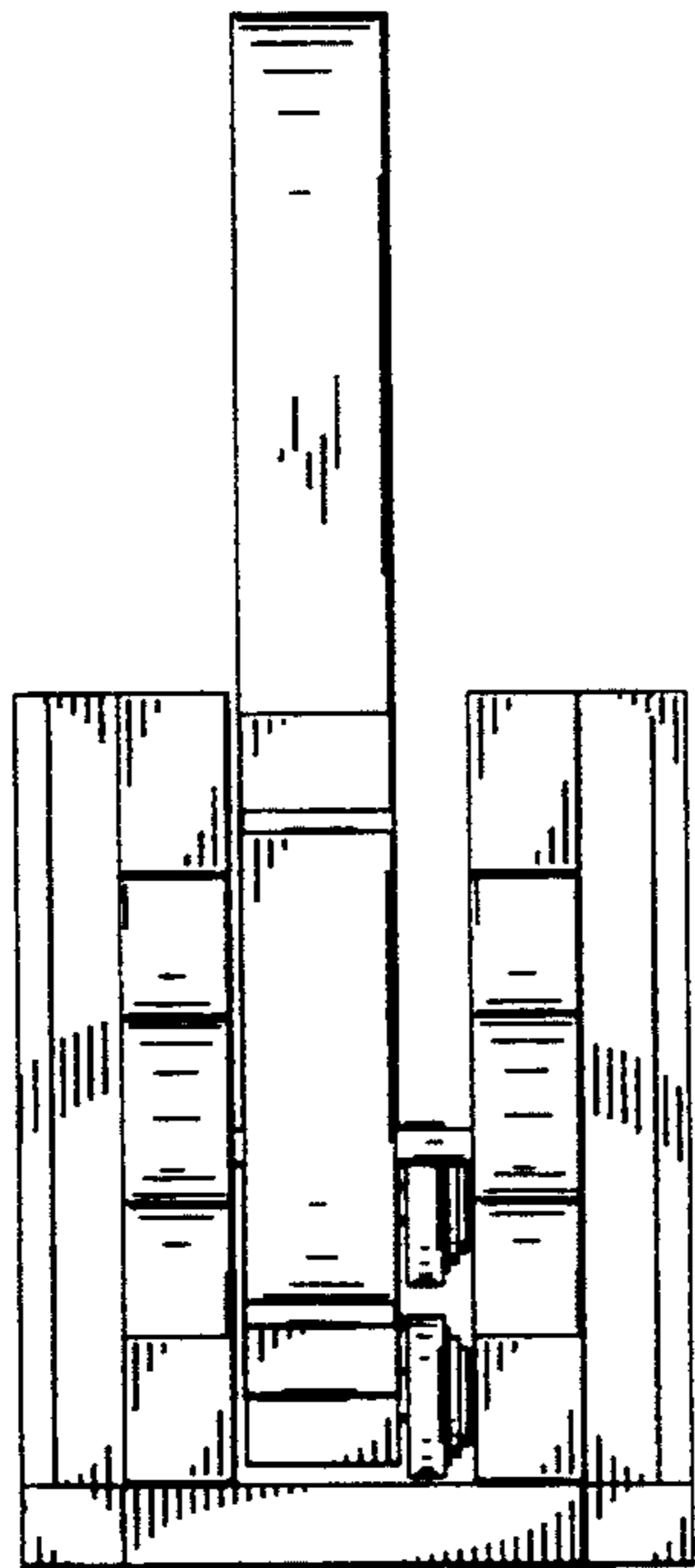


FIG 4

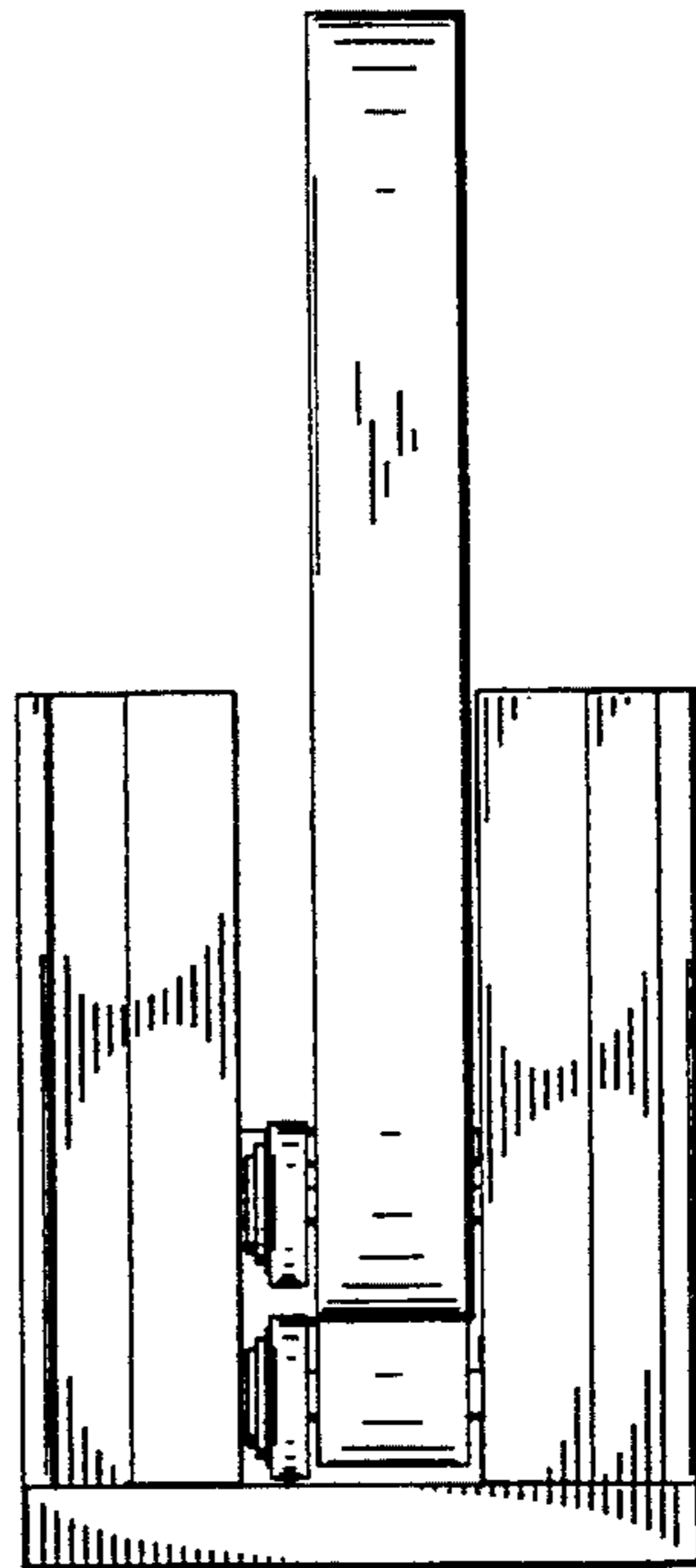


FIG 5

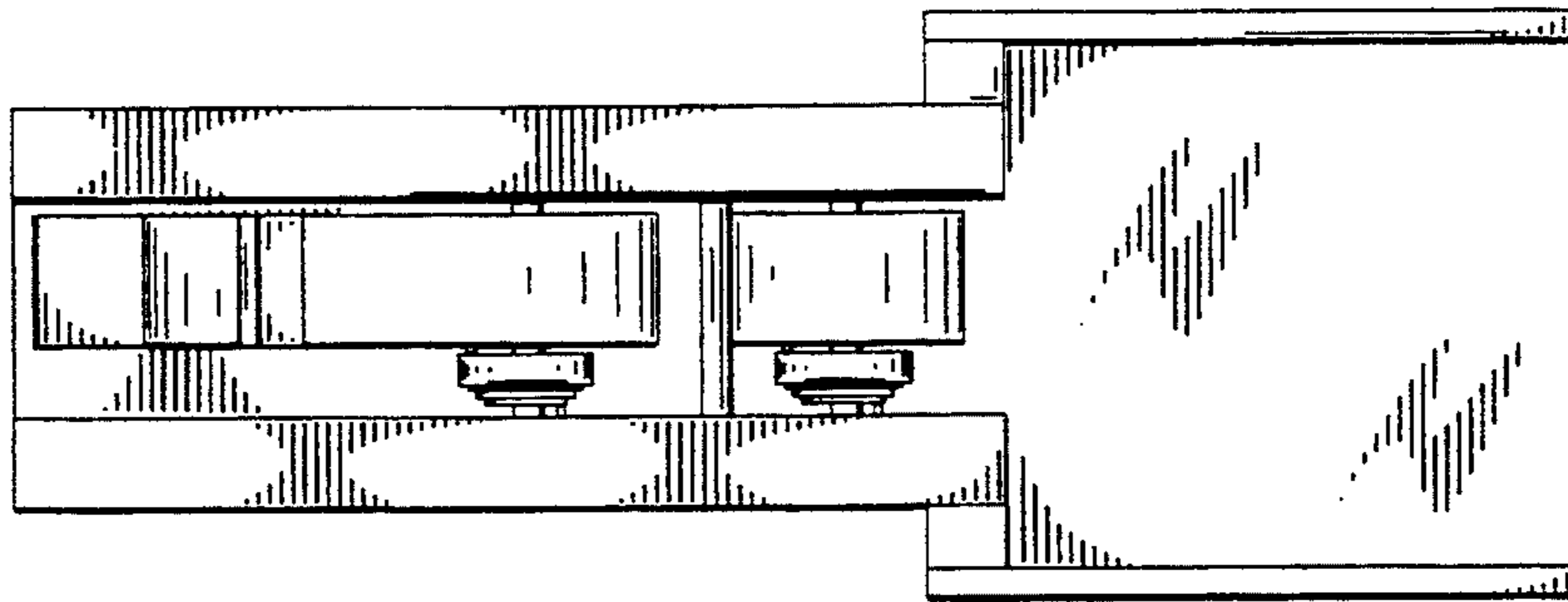


FIG 6

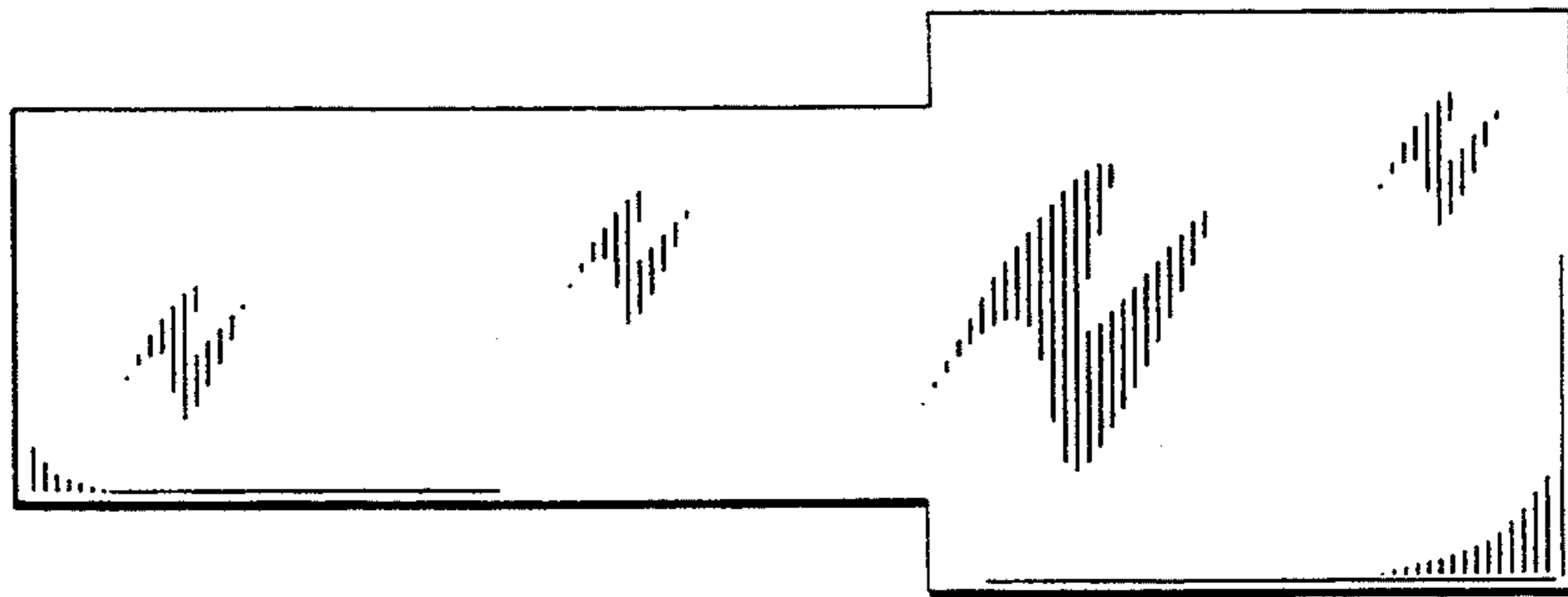


FIG 7

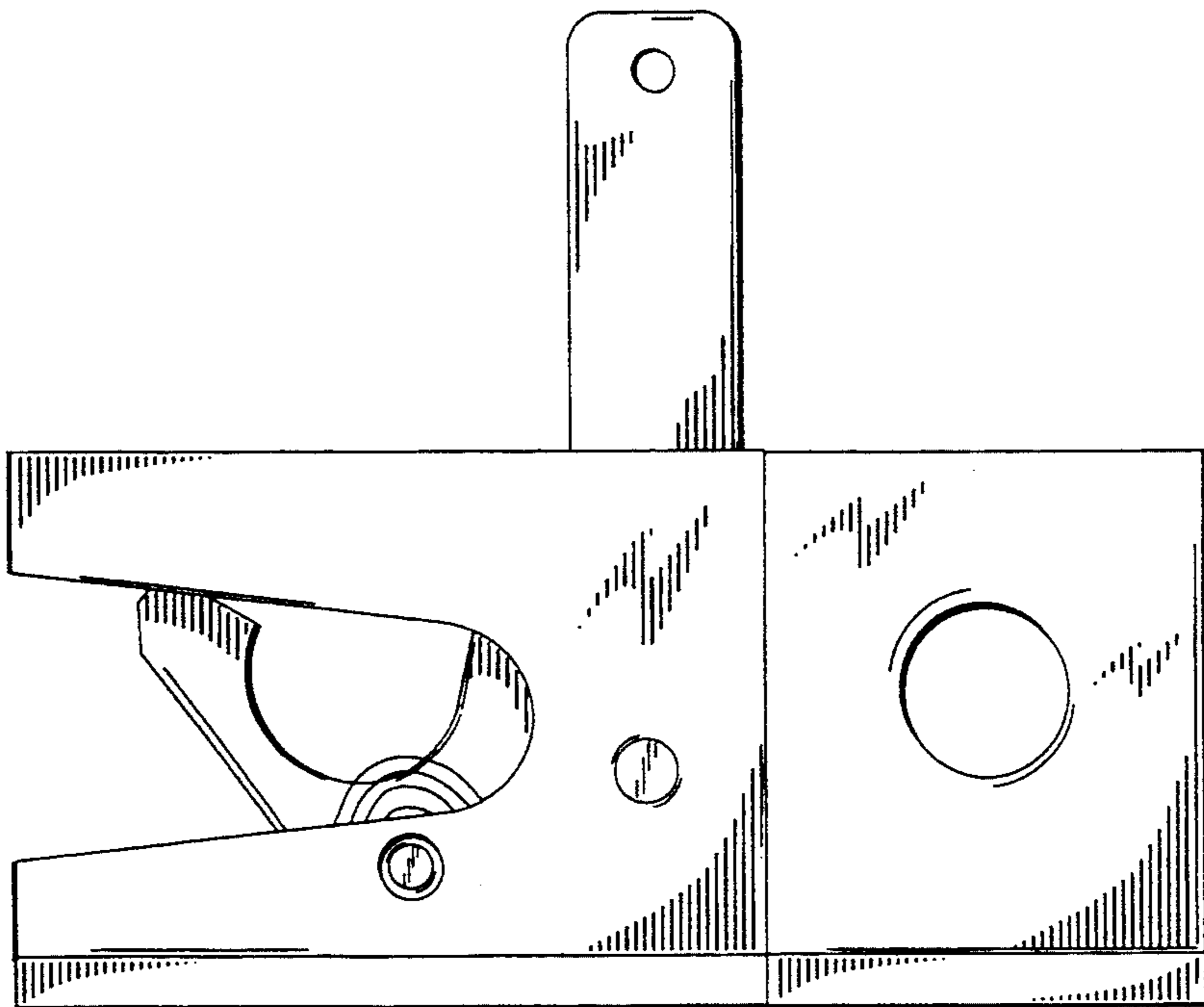


FIG 8